



US00D685958S

(12) **United States Design Patent**  
**Wolfson**

(10) **Patent No.:** **US D685,958 S**

(45) **Date of Patent:** **\*\* Jul. 9, 2013**

(54) **PET RESTRAINER**

(76) Inventor: **Jeffery D. Wolfson**, Woodstock, GA  
(US)

(\*\*) Term: **14 Years**

(21) Appl. No.: **29/430,869**

(22) Filed: **Aug. 30, 2012**

(51) **LOC (9) Cl.** ..... **30-09**

(52) **U.S. Cl.**  
USPC ..... **D30/154; D30/151**

(58) **Field of Classification Search**  
USPC ..... D30/154, 199, 160, 151, 153; D6/608,  
D6/609, 613, 614, 603, 583, 588-591, 597,  
D6/598, 611, 601; 119/174, 850, 650, 621,  
119/600, 602, 707-712, 786-788, 791, 780,  
119/782, 769-771, 795, 856; D29/118;  
D24/207, 208, 200, 206; D7/388; 5/417;  
219/759, 730, 528, 529; 426/241; 99/DIG. 14;  
D5/62; 607/96, 108-111, 104; 52/155, 166,  
52/157, 162, 163; D28/79, 73, 76-78, 83;  
D3/216, 223, 271.1, 234-236, 238, 248, 205,  
D3/295, 301, 703.6, 203.1, 294; D11/81,  
D11/103; D9/600, 629; 220/4.26, 4.27;  
132/286, 287, 293-307, 314-318; 206/581,  
206/823, 37, 315.1, 6.1; D21/385

See application file for complete search history.

(56) **References Cited**

**U.S. PATENT DOCUMENTS**

D22,986 S \* 12/1893 Sherman ..... D3/270  
566,816 A \* 9/1896 Taylor et al. .... 248/205.5  
2,003,958 A \* 6/1935 Salisbury ..... 119/709  
2,194,736 A \* 3/1940 De Bruler ..... 119/709  
D140,199 S \* 1/1945 Woodruff ..... D24/207  
2,420,811 A \* 5/1947 Brewster et al. .... 294/187  
2,491,951 A \* 12/1949 Buettner et al. .... 119/799

D177,345 S \* 4/1956 Nayer ..... D21/405  
D207,167 S \* 3/1967 Fisher ..... D30/160  
D226,692 S \* 4/1973 Sherman ..... D28/22  
D249,605 S \* 9/1978 Skermetta ..... D6/539  
D277,918 S \* 3/1985 Berns et al. .... D30/158  
4,537,155 A \* 8/1985 Buratovich ..... 119/797  
D282,978 S \* 3/1986 Woods ..... D28/41  
4,693,212 A \* 9/1987 Black ..... 119/755  
D292,446 S \* 10/1987 Gilbert ..... D3/238  
D294,748 S \* 3/1988 Dobelle ..... D30/109  
4,763,604 A \* 8/1988 Meekins ..... 119/28.5  
4,771,733 A \* 9/1988 Axelrod ..... 119/710  
D298,671 S \* 11/1988 Simerson ..... D30/130  
D300,068 S \* 2/1989 Pritikin et al. .... D30/129  
4,857,333 A \* 8/1989 Harold ..... 424/442  
D303,728 S \* 10/1989 Spanier et al. .... D1/106  
D304,385 S \* 11/1989 Spiel et al. .... D1/106  
D305,950 S \* 2/1990 Spiel et al. .... D1/106  
D305,951 S \* 2/1990 Spiel et al. .... D1/106  
D310,586 S \* 9/1990 Dobelle ..... D30/109  
D311,610 S \* 10/1990 Dobelle ..... D30/109

(Continued)

*Primary Examiner* — Susan Moon Lee

(74) *Attorney, Agent, or Firm* — S McPherson IP Law

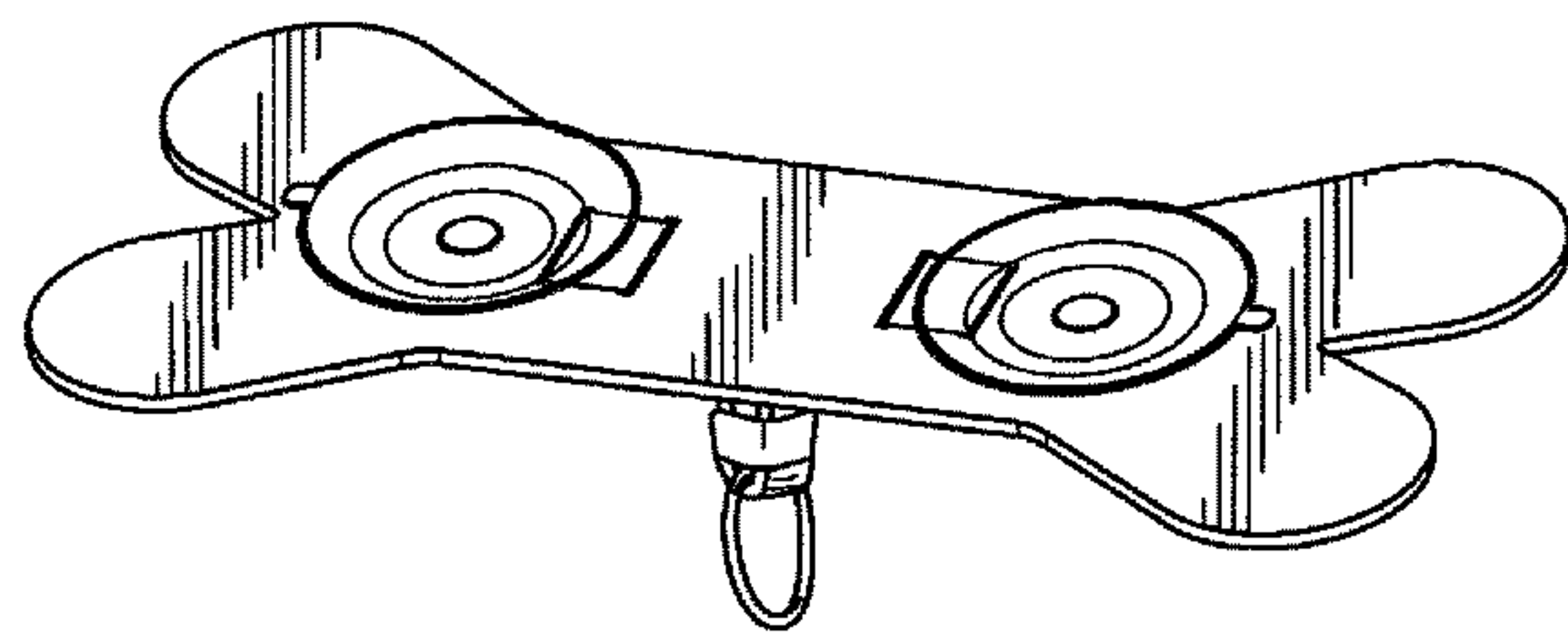
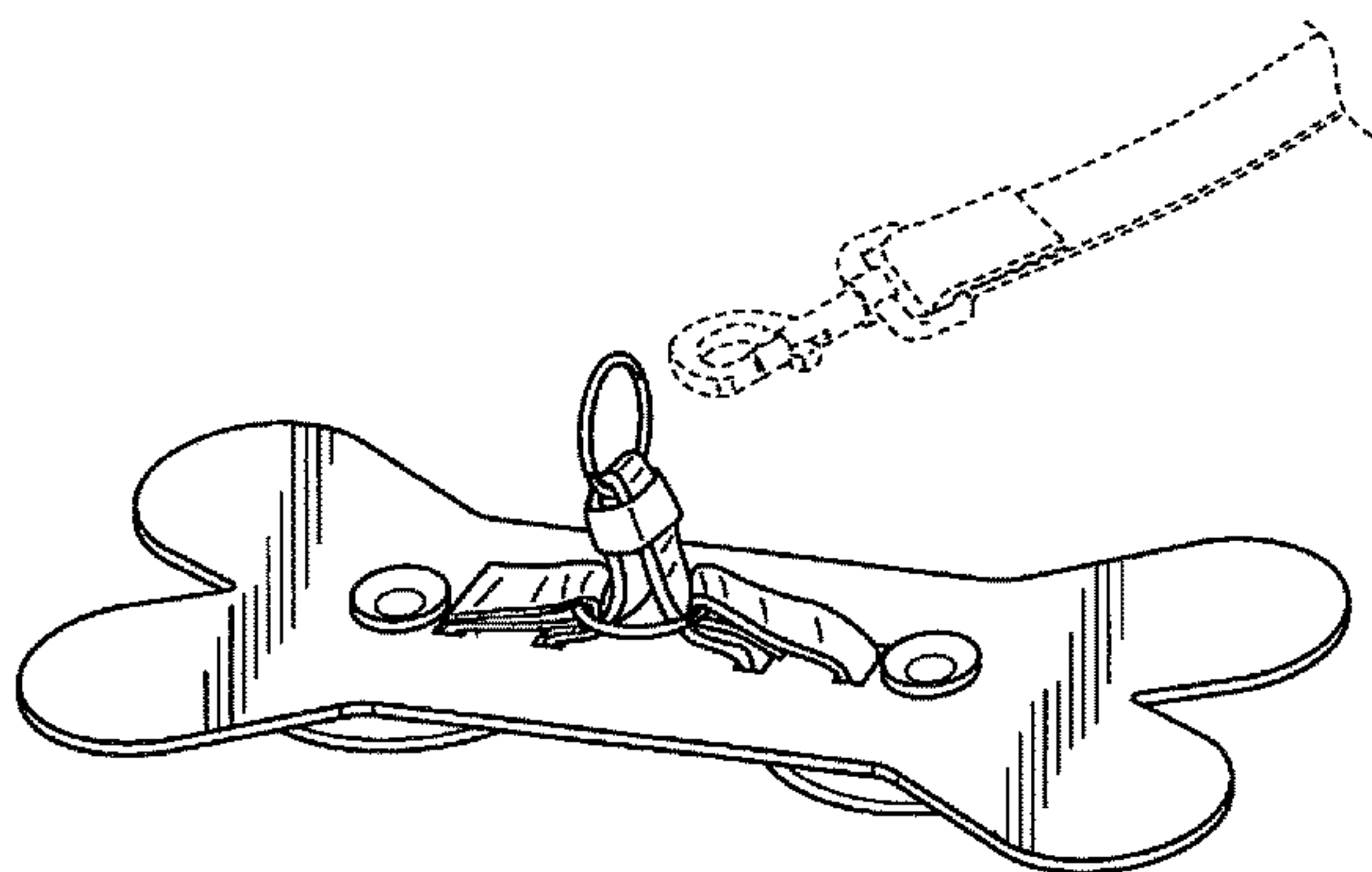
(57) **CLAIM**

The ornamental design for a pet restrainer, as shown and described.

**DESCRIPTION**

FIG. 1 is a front perspective view of a pet restrainer showing my new design;  
FIG. 2 is a rear perspective view thereof;  
FIG. 3 is a front elevational view thereof;  
FIG. 4 is a rear elevational view thereof;  
FIG. 5 is a top or bottom plan view thereof; and,  
FIG. 6 is a right or left side elevational view thereof.  
Broken lines and portions contained within broken line are not claimed.

**1 Claim, 2 Drawing Sheets**





# US D685,958 S

Page 2

## U.S. PATENT DOCUMENTS

D312,515	S *	11/1990	Hall	D30/160	D523,591	S *	6/2006	Kreamer	D30/160
D320,495	S *	10/1991	Pallesen	D1/110	7,066,434	B2 *	6/2006	Kwok	248/205.8
D334,156	S *	3/1993	Sprick	D11/222	D527,273	S *	8/2006	Edwards	D9/600
5,200,212	A *	4/1993	Axelrod	426/2	7,087,260	B2 *	8/2006	Axelrod	426/623
D340,491	S *	10/1993	Nass	D21/720	D529,279	S *	10/2006	Parks	D3/203.3
D341,912	S *	11/1993	Ayala	D30/153	D534,694	S *	1/2007	Pozzoni	D30/160
5,339,771	A *	8/1994	Axelrod	119/710	D535,790	S *	1/2007	Curtis	D30/153
D351,464	S *	10/1994	Kramer et al.	D24/100	D538,038	S *	3/2007	Iacchetti	D3/271.1
D351,692	S *	10/1994	Cossey	D30/154	D539,486	S *	3/2007	Williams	D30/111
5,373,814	A *	12/1994	Seymour	119/795	D540,181	S *	4/2007	Edwards	D9/600
5,419,283	A *	5/1995	Leo	119/709	D540,494	S *	4/2007	Beyaz	D30/152
D361,874	S *	8/1995	Keller et al.	D30/129	D541,427	S *	4/2007	Palmer, III	D25/2
5,456,214	A *	10/1995	Quilling	119/795	D543,743	S *	6/2007	Edwards	D6/515
D365,177	S *	12/1995	Farrell	D30/154	D548,360	S *	8/2007	Korny et al.	D25/2
5,474,033	A *	12/1995	Mitchell, Jr.	119/860	D549,569	S *	8/2007	Palmer, III	D8/499
5,481,764	A *	1/1996	Nelson	4/559	D550,996	S *	9/2007	Edwards	D6/518
5,544,377	A *	8/1996	Gostine	5/630	D551,977	S *	10/2007	Daniels	D9/456
D379,223	S *	5/1997	Kramer et al.	D24/101	D552,634	S *	10/2007	Janiszewski	D15/90
5,632,233	A *	5/1997	Kovach	119/771	D552,803	S *	10/2007	White	D30/133
D384,978	S *	10/1997	Shimogori et al.	D20/23	D556,634	S *	12/2007	Koroluk	D11/231
D385,188	S *	10/1997	Williams	D9/434	7,318,393	B2 *	1/2008	Ayscue	119/859
D394,414	S *	5/1998	Catalano	D11/133	D571,060	S *	6/2008	Addeo	D30/158
5,752,335	A *	5/1998	Shimogori et al.	40/300	D576,357	S *	9/2008	Rutherford et al.	D30/160
D395,618	S *	6/1998	Cohen et al.	D11/218	D576,358	S *	9/2008	Rutherford	D30/160
5,785,007	A *	7/1998	Sauber et al.	119/771	D578,256	S *	10/2008	Miller	D30/153
5,806,816	A *	9/1998	Hull et al.	248/205.6	D578,714	S *	10/2008	Rutherford	D30/160
D400,672	S *	11/1998	Kramer et al.	D24/101	D586,976	S *	2/2009	Lundwall	D1/109
5,829,392	A *	11/1998	Coleman	119/795	D587,862	S *	3/2009	Rutherford	D30/160
D401,761	S *	12/1998	Sandmann et al.	D3/238	D604,463	S *	11/2009	Pittman	D30/199
D405,900	S *	2/1999	Driscoll	D26/39	D610,194	S *	2/2010	Herrenbruck	D19/1
D407,185	S *	3/1999	Marcks	D1/106	D617,059	S *	6/2010	Akrey	D30/154
5,894,748	A *	4/1999	Capperrune	70/16	D617,060	S *	6/2010	Akrey	D30/154
D411,462	S *	6/1999	Heins	D99/18	D619,491	S *	7/2010	Winick	D11/81
5,912,285	A *	6/1999	Godsey	524/17	D620,207	S *	7/2010	Byrne	D30/160
5,989,604	A *	11/1999	Wolf et al.	426/103	D620,226	S *	7/2010	Adkins	D1/106
D422,757	S *	4/2000	Levine	D30/155	D621,103	S *	8/2010	Kim	D30/160
D422,761	S *	4/2000	Zalevsky	D30/160	D623,362	S *	9/2010	Man	D30/133
D424,281	S *	5/2000	Jebber et al.	D2/869	D626,294	S *	10/2010	Johnson	D30/151
6,067,941	A *	5/2000	Axelrod	119/707	D631,636	S *	2/2011	Hague	D1/106
6,079,368	A *	6/2000	Paddock	119/756	D632,455	S *	2/2011	School	D99/5
D428,136	S *	7/2000	Cady et al.	D24/101	D632,742	S *	2/2011	Mueller	D21/333
6,093,441	A *	7/2000	Axelrod	426/632	D632,743	S *	2/2011	Mueller	D21/333
6,159,508	A *	12/2000	Wolf et al.	426/2	D634,506	S *	3/2011	de Socio	D1/106
6,202,598	B1 *	3/2001	Willinger	119/709	D634,507	S *	3/2011	Lawrenson	D1/106
D442,714	S *	5/2001	Warden	D26/38	D636,294	S *	4/2011	Lawson	D11/232
6,265,631	B1 *	7/2001	Angelillo et al.	604/358	D638,591	S *	5/2011	Spurgeon	D30/161
D447,681	S *	9/2001	Kelleghan	D8/367	D640,017	S *	6/2011	Mendelson	D30/153
D453,242	S *	1/2002	Kaplan	D30/160	D641,248	S *	7/2011	Steger et al.	D9/607
D453,980	S *	2/2002	Shoemaker et al.	D30/160	D642,341	S *	7/2011	Anderson	D30/160
D454,991	S *	3/2002	Muller	D30/152	7,984,697	B2 *	7/2011	Grbic	119/769
6,406,407	B1 *	6/2002	Wiedmann et al.	482/82	D642,842	S *	8/2011	Stoekler	D6/572
D460,586	S *	7/2002	Holt et al.	D30/153	D644,430	S *	9/2011	Neeson	D3/238
6,453,851	B1 *	9/2002	Holt et al.	119/795	D648,905	S *	11/2011	Maurer	D30/153
D475,603	S *	6/2003	Kelleghan	D8/356	D657,924	S *	4/2012	Soegaard	D32/40
D475,816	S *	6/2003	Adamson	D30/160	D658,820	S *	5/2012	Stockwell	D30/160
6,578,528	B1 *	6/2003	Brown	119/769	D661,895	S *	6/2012	Kinnard	D3/271.2
D476,808	S *	7/2003	Carr	D3/271.2	D665,577	S *	8/2012	Hollinger	D3/271.1
D479,564	S *	9/2003	Carr	D21/376	D668,158	S *	10/2012	Gridley	D9/601
D481,867	S *	11/2003	Hotz	D3/271.2	D669,715	S *	10/2012	Silagy	D6/518
D484,650	S *	12/2003	Meath	D30/153	D670,872	S *	11/2012	Woodzelle et al.	D30/155
D487,327	S *	3/2004	Andersen et al.	D1/199	D671,599	S *	11/2012	Herndon	D21/405
D487,823	S *	3/2004	Wang	D30/118	D673,190	S *	12/2012	Klemm et al.	D15/90
6,739,287	B1 *	5/2004	Sarantis	119/709	2001/0042521	A1 *	11/2001	Suchowski et al.	119/709
D490,965	S *	6/2004	Lawrenson	D1/106	2002/0017759	A1 *	2/2002	McClung et al.	273/317
6,763,785	B1 *	7/2004	Grady	119/858	2002/0117119	A1 *	8/2002	Brown	119/795
D496,141	S *	9/2004	Tepper et al.	D1/106	2003/0150402	A1 *	8/2003	Muller	119/856
D496,518	S *	9/2004	Tepper et al.	D1/106	2004/0219260	A1 *	11/2004	Anderson et al.	426/2
D498,955	S *	11/2004	Edwards	D6/515	2005/0217608	A1 *	10/2005	Johnson et al.	119/771
6,810,541	B1 *	11/2004	Woods	5/420	2006/0207521	A1 *	9/2006	Klauck	119/786
D510,171	S *	10/2005	Lawrenson	D1/106	2006/0278178	A1 *	12/2006	Morrison-Gale	119/858
D511,030	S *	10/2005	Byrne	D30/160	2007/0107673	A1 *	5/2007	Langer et al.	119/859
D512,189	S *	11/2005	Byrne	D30/160	2007/0267531	A1 *	11/2007	Petersen	242/588.6
D512,539	S *	12/2005	Brunes et al.	D30/130					
D514,278	S *	2/2006	Weinberg	D1/199					
D516,756	S *	3/2006	Curtis	D30/153					
D516,806	S *	3/2006	Lawrence	D3/271.1					
D521,690	S *	5/2006	Krcek et al.	D30/133					
D521,782	S *	5/2006	Edwards	D6/518					

# US D685,958 S

Page 3

---

2008/0029045	A1*	2/2008	Willinger .....	119/710	2009/0151649	A1*	6/2009	Vardy et al. ....	119/710
2008/0245317	A1*	10/2008	Caldwell .....	119/795	2012/0150203	A1*	6/2012	Brady et al. ....	606/148
2008/0314336	A1*	12/2008	Church et al. ....	119/771					
2009/0013939	A1*	1/2009	Santiago et al. ....	119/719					

\* cited by examiner

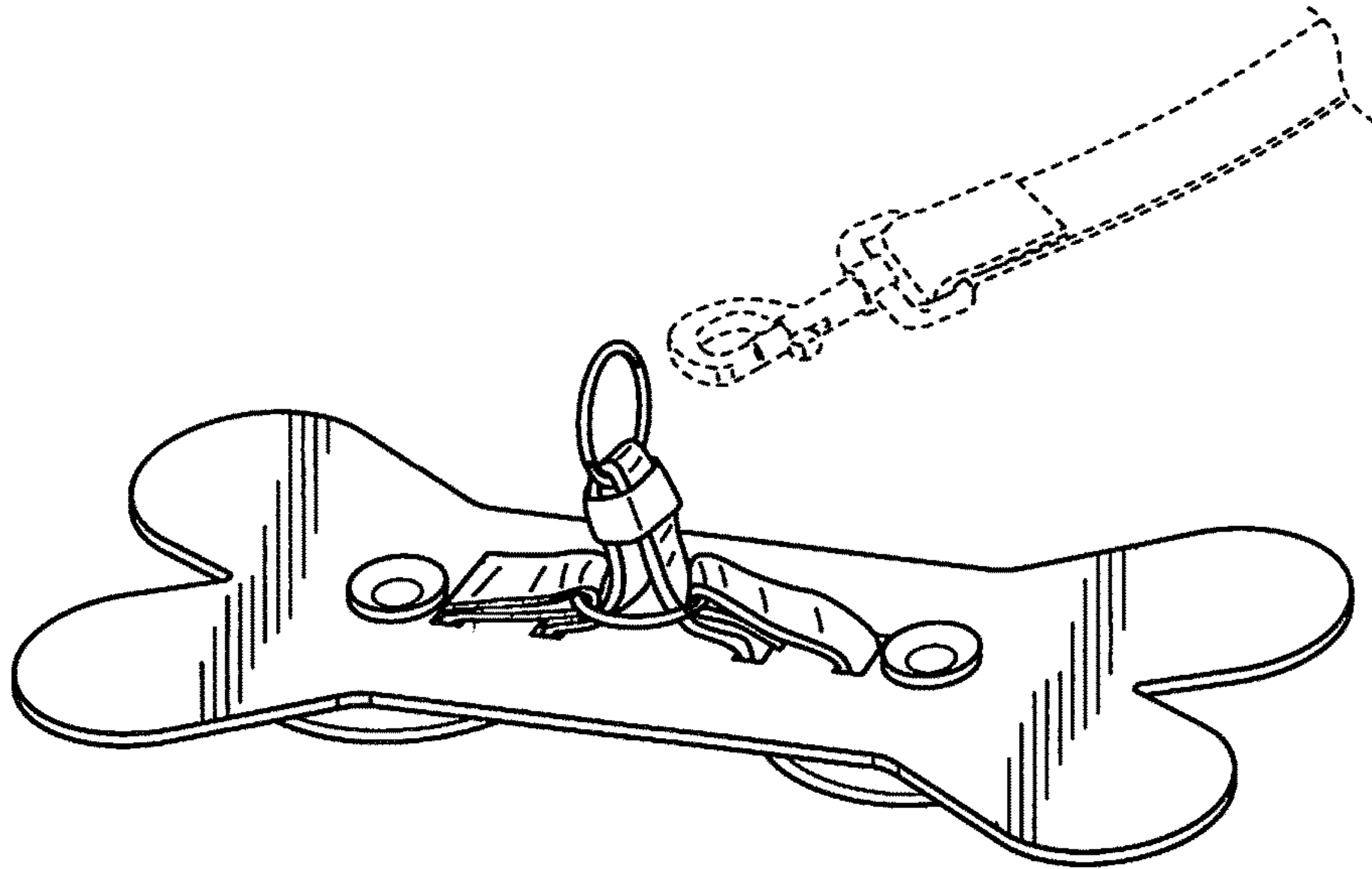


FIG. 1

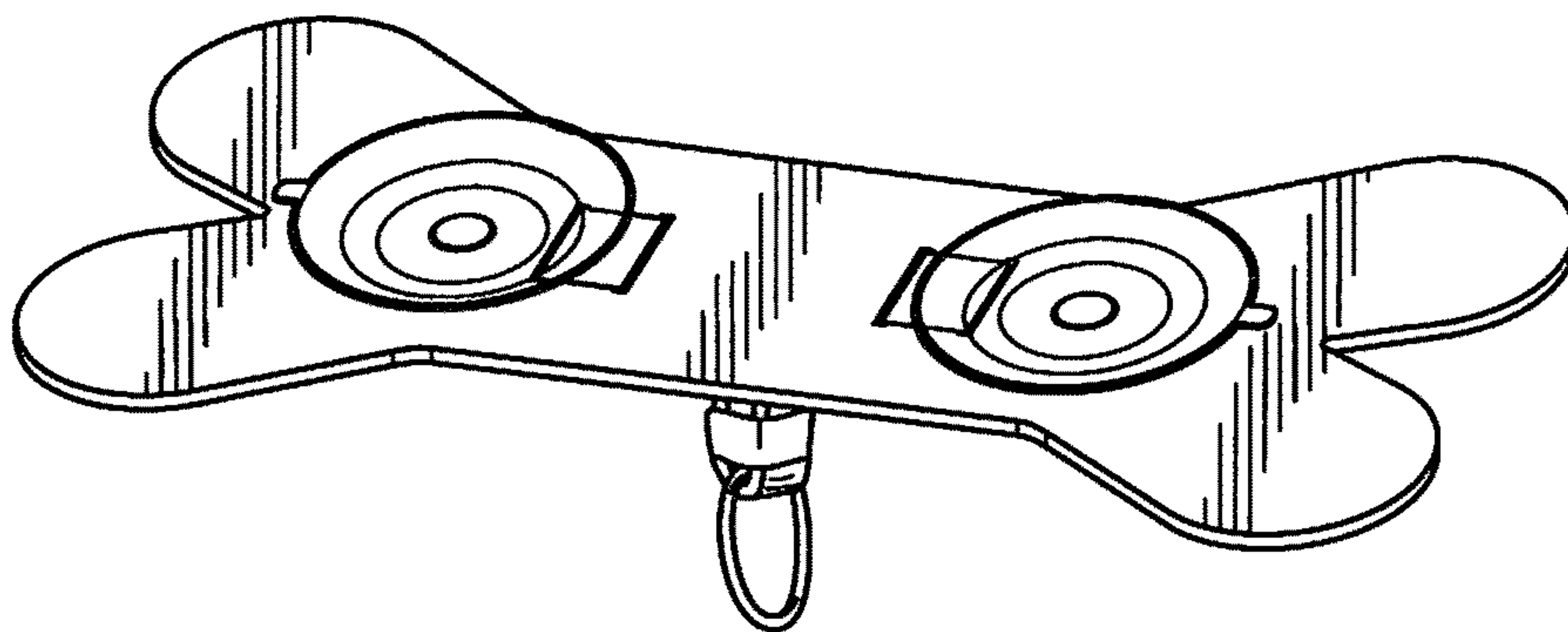


FIG. 2



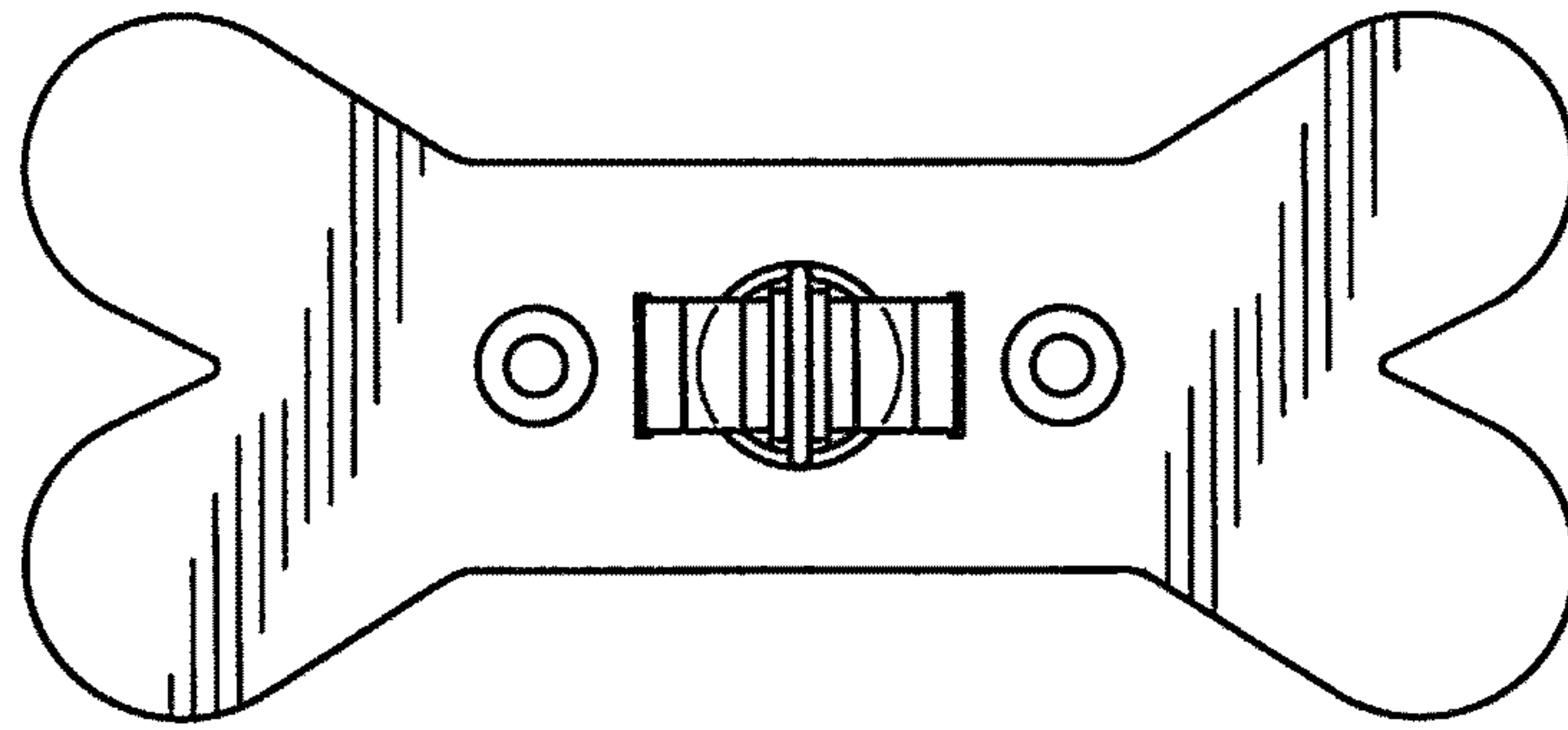


FIG. 3

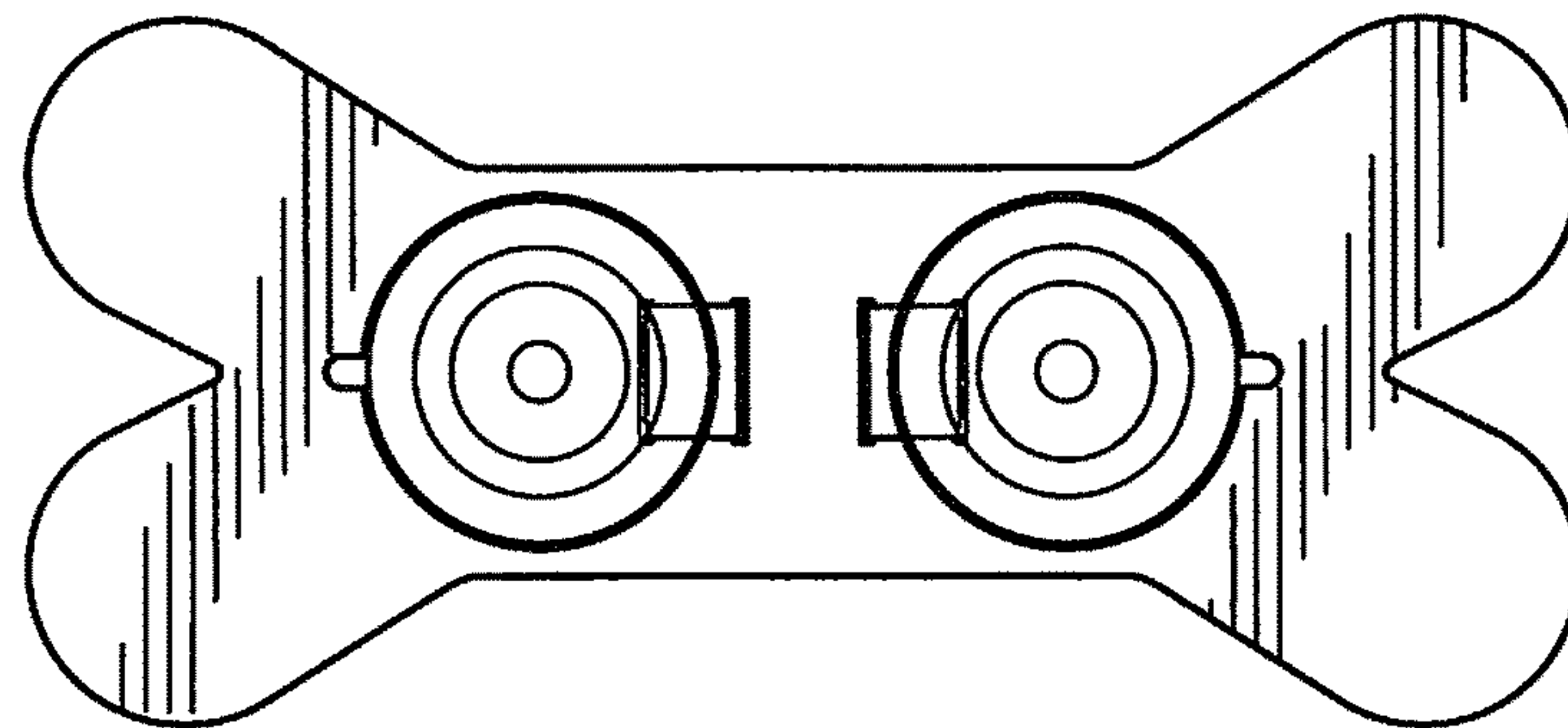


FIG. 4

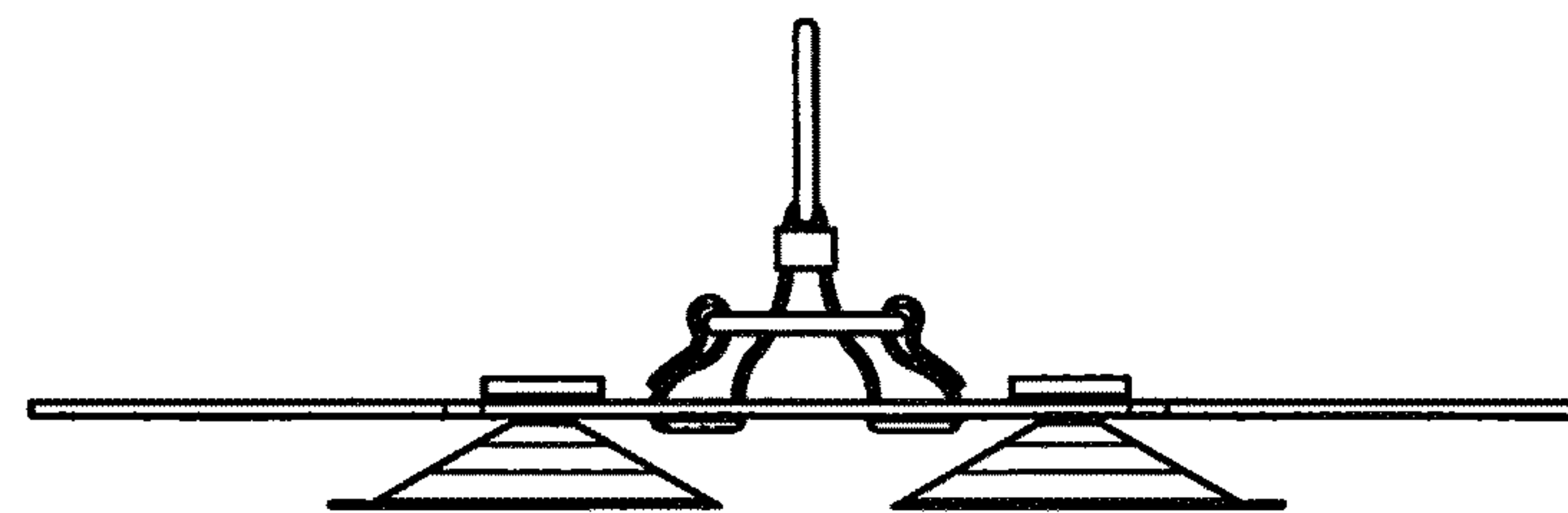


FIG. 5

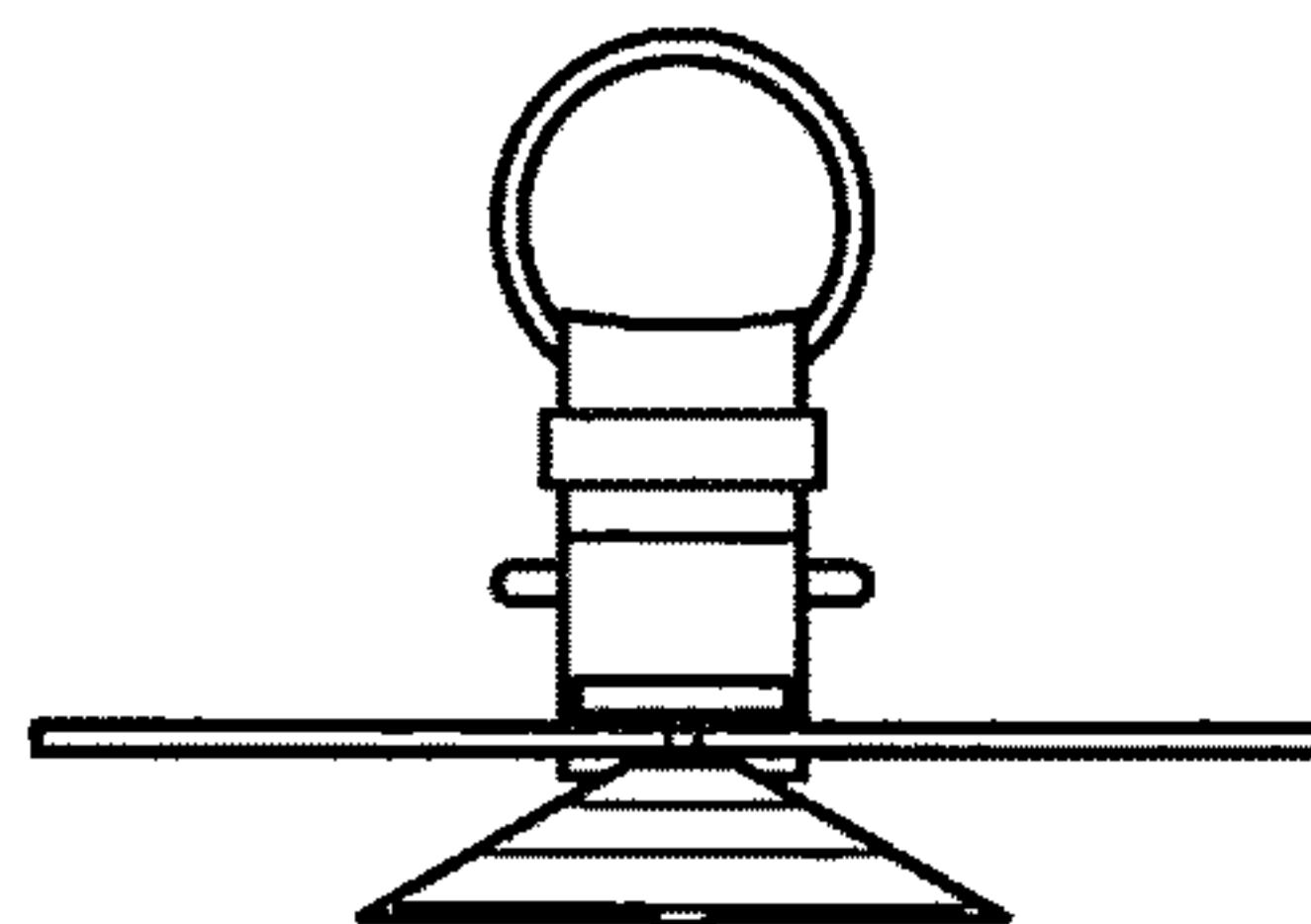


FIG. 6