



US00D685953S

(12) **United States Design Patent**  
**Steffanson**

(10) **Patent No.:** **US D685,953 S**  
(45) **Date of Patent:** **\*\* Jul. 9, 2013**

(54) **BALE BUCK**

(76) Inventor: **Arlin Steffanson**, McMinnville, TN  
(US)

(\*\*) Term: **14 Years**

(21) Appl. No.: **29/426,543**

(22) Filed: **Jul. 6, 2012**

(51) **LOC (9) Cl.** ..... **30-03**

(52) **U.S. Cl.**

USPC ..... **D30/131; D30/121**

(58) **Field of Classification Search**

USPC ..... D30/133, 121, 122, 124, 127, 128,  
D30/132, 129-131; 119/51.01, 61, 51.04,  
119/53, 57.91, 54, 53.5, 52.4, 51.11, 63,  
119/61.2, 52.1, 57.5, 57.6, 51.13, 62, 75,  
119/500, 501, 73, 74, 51.12, 51.5, 52.2, 61.1,  
119/60, 58, 59, 61.4; 239/7, 687, 379, 397.5;  
222/199, 181.1, 181.2, 185.1, 557, 156, 485,  
222/486, 548, 555; 220/200, 227, 247, 262,  
220/697-702; 221/174, 185.1, 289, 295,  
221/296, 559; 454/35; 209/270, 283, 244;  
52/194, 192; 49/279, 344, 357; D34/28;  
D7/409, 601; 211/181.1; 414/24.5; D32/53.1;  
15/260, 262, 264, 257.01, 257.05, 257.06;  
118/419; D9/424, 429; D11/156, 143-155,  
D11/64; D6/403

See application file for complete search history.

(56) **References Cited**

**U.S. PATENT DOCUMENTS**

247,346 A \* 9/1881 Hendrick ..... 119/58  
339,694 A \* 4/1886 Rine et al. .... 119/61.4  
432,671 A \* 7/1890 Kent ..... 119/61.1  
526,249 A \* 9/1894 Meeker ..... 220/9.3  
823,806 A \* 6/1906 Overfield ..... 119/60  
841,058 A \* 1/1907 Sherlook ..... 211/201  
849,290 A \* 4/1907 Vanderbilt ..... 99/426  
D41,352 S \* 5/1911 Clarke ..... D30/131

1,159,727 A \* 11/1915 Springer et al. .... 211/198  
1,644,263 A \* 10/1927 Moellring ..... 119/61.3  
2,706,829 A \* 4/1955 Charnin ..... 16/376  
2,846,942 A \* 8/1958 Bowman ..... 99/427  
D200,398 S \* 2/1965 Van Peurse et al. .... D30/131  
3,259,106 A \* 7/1966 Ray et al. .... 119/51.03  
3,330,257 A \* 7/1967 Warner, Sr. .... 119/61.3  
D210,602 S \* 3/1968 Ott ..... D30/131

(Continued)

*Primary Examiner* — Susan Moon Lee

(74) *Attorney, Agent, or Firm* — Wadley & Patterson, P.C.;  
Rebecca M. Barnett

(57) **CLAIM**

What is claimed is the ornamental design for a bale buck, as shown and described.

**DESCRIPTION**

FIG. 1 is a perspective view of the bale buck of Applicant's invention.

FIG. 2 is a side view of the bale buck of Applicant's invention, the other side being identical.

FIG. 3 is a front elevation view of the bale buck of Applicant's invention, the back elevation view being identical.

FIG. 4 is a top view of the bale buck of Applicant's invention.

FIG. 5 is a bottom view of the bale buck of Applicant's invention.

FIG. 6 is a perspective view of the bale buck of Applicant's invention;

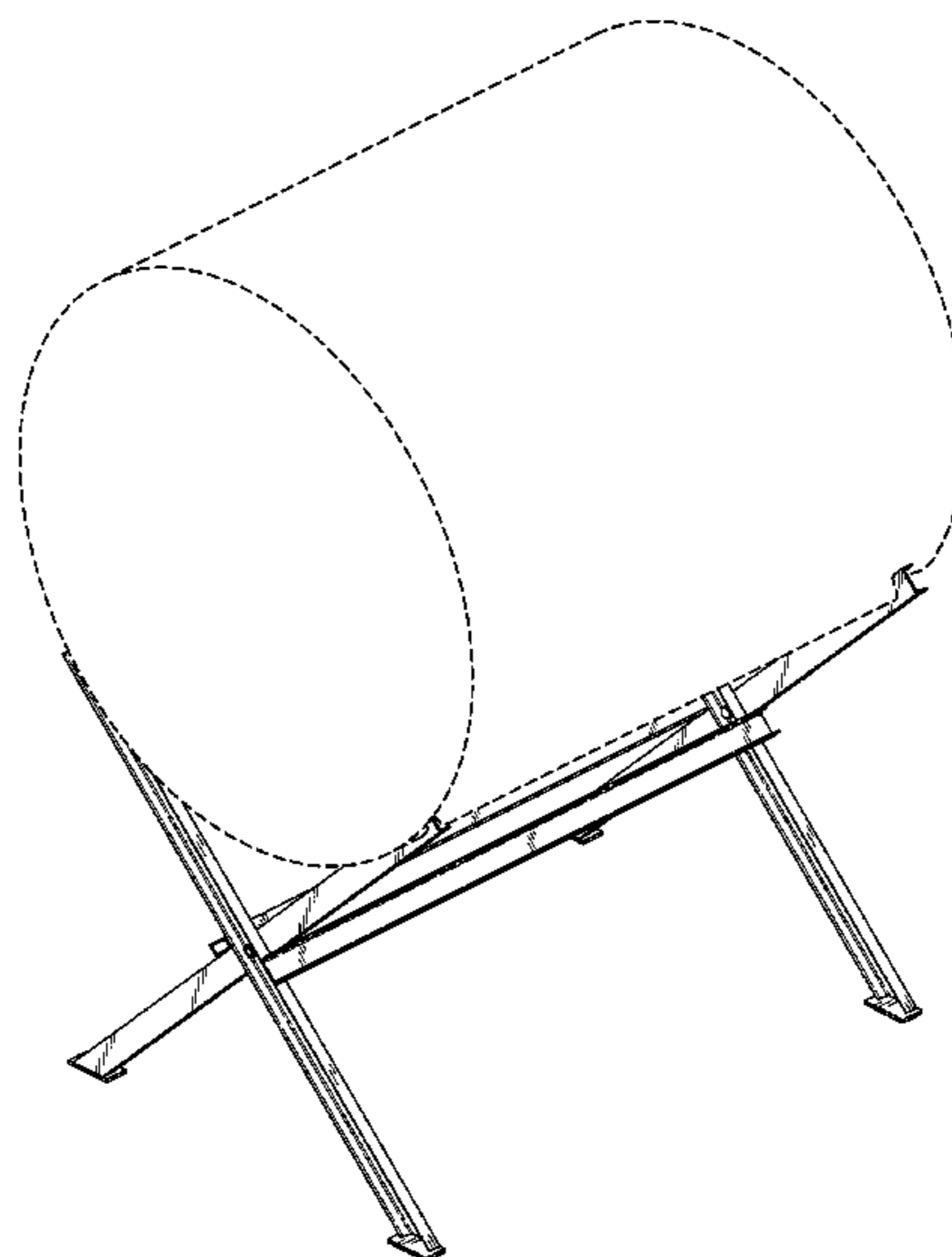
FIG. 7 is a front elevation view of the bale buck of Applicant's invention;

FIG. 8 is a perspective view of the bale buck of Applicant's invention, as shown in FIG. 1, showing an alternate position of the bale buck; and,

FIG. 9 is a side view of the bale buck of Applicant's invention, as shown in FIG. 2, showing an alternate position of the bale buck.

Broken lines and unshaded portions contained within broken lines are not claimed.

**1 Claim, 6 Drawing Sheets**



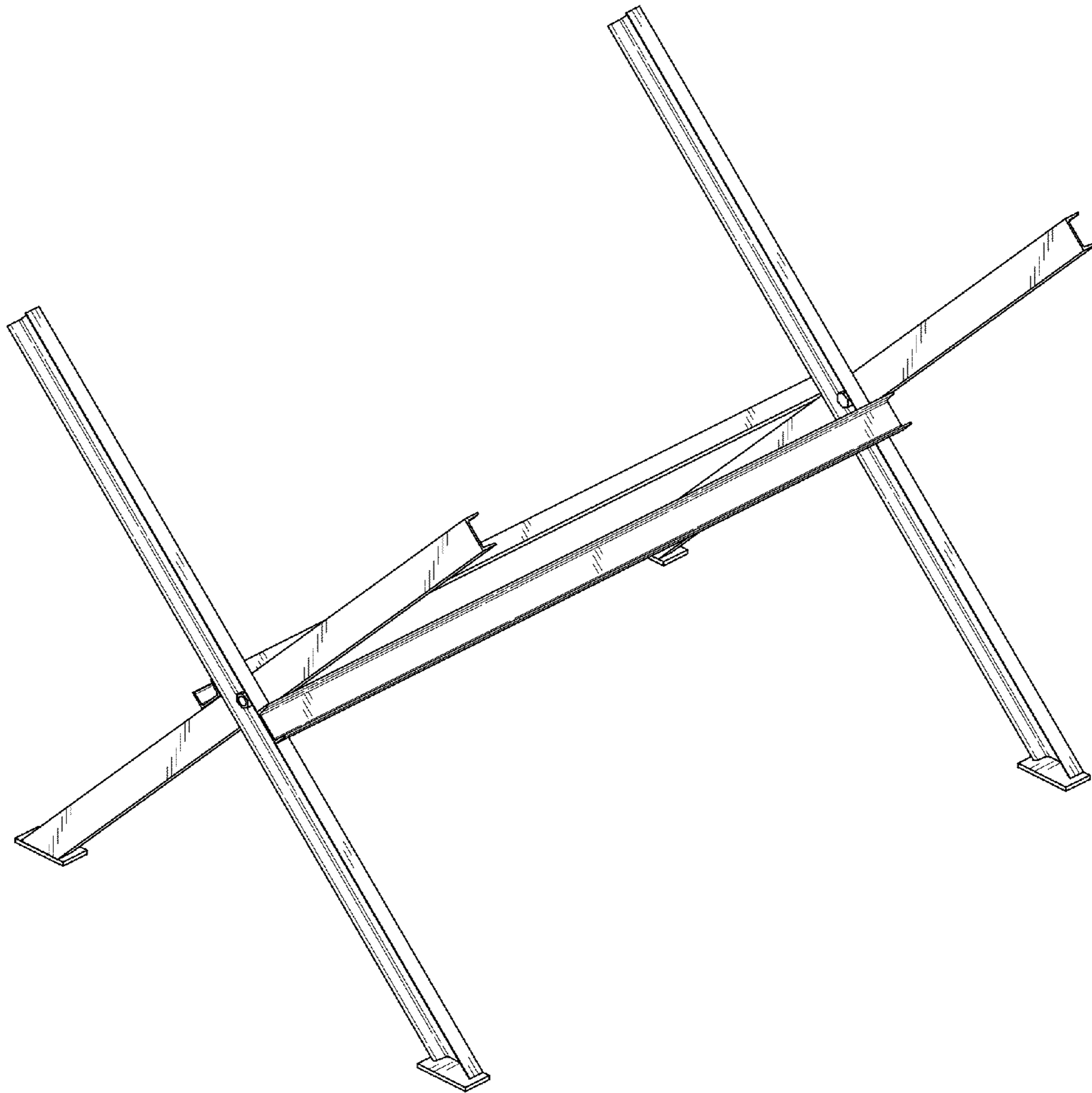
# US D685,953 S

Page 2

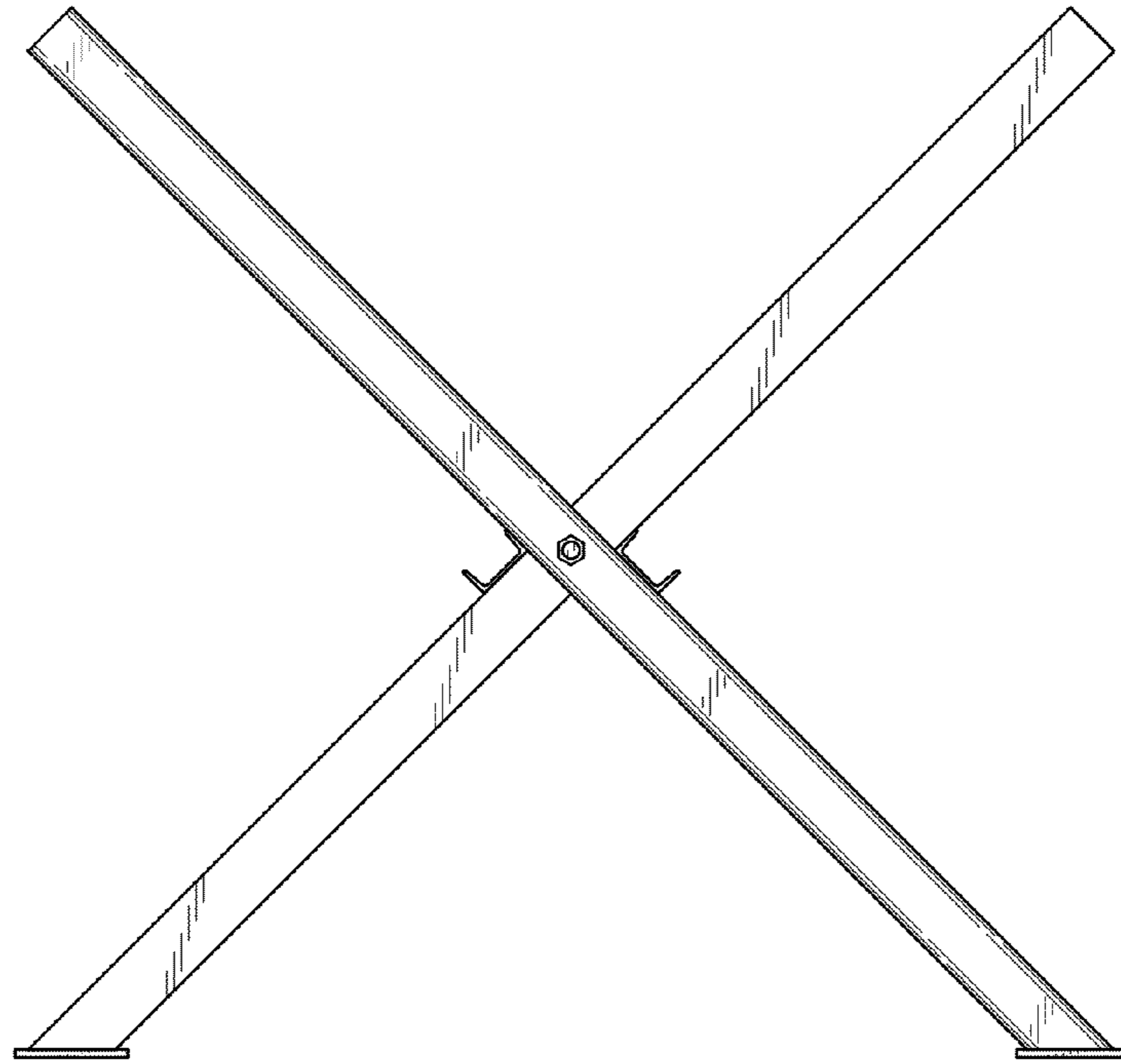
## U.S. PATENT DOCUMENTS

D219,227 S *	11/1970	Cusenbary .....	D30/131	D364,253 S *	11/1995	Pianella .....	D32/53.1
D230,612 S *	3/1974	Williamson et al. ....	D30/131	5,569,071 A *	10/1996	Metier et al. ....	452/185
D234,607 S *	3/1975	Clugston .....	D30/131	D386,918 S *	12/1997	Collins .....	D6/462
D242,813 S *	12/1976	Walker .....	D30/131	D417,536 S *	12/1999	Sum .....	D32/58
4,253,424 A *	3/1981	Williams .....	119/61.4	6,251,005 B1 *	6/2001	Ekes .....	452/185
D271,954 S *	12/1983	Neil .....	D11/156	D451,304 S *	12/2001	Felsenthal .....	D6/462
D271,955 S *	12/1983	Neil .....	D11/156	D472,681 S *	4/2003	Melius .....	D30/133
D286,332 S *	10/1986	Christianson .....	D30/131	6,691,642 B2 *	2/2004	Dollahan .....	119/58
D290,666 S *	7/1987	Joseph .....	D6/449	D548,896 S *	8/2007	Stewart .....	D30/131
5,000,122 A *	3/1991	Smith .....	119/58	7,895,974 B2 *	3/2011	Brickell .....	119/61.2
D322,698 S *	12/1991	Cassel .....	D32/58	D637,361 S *	5/2011	Jeffries .....	D30/131
D338,286 S *	8/1993	Jaramillo .....	D30/121	8,156,861 B1 *	4/2012	Prokopow .....	99/419
5,323,734 A *	6/1994	Meadows .....	119/51.01	D677,017 S *	2/2013	Jeffries .....	D30/131
D353,244 S *	12/1994	Brazis .....	D32/58				

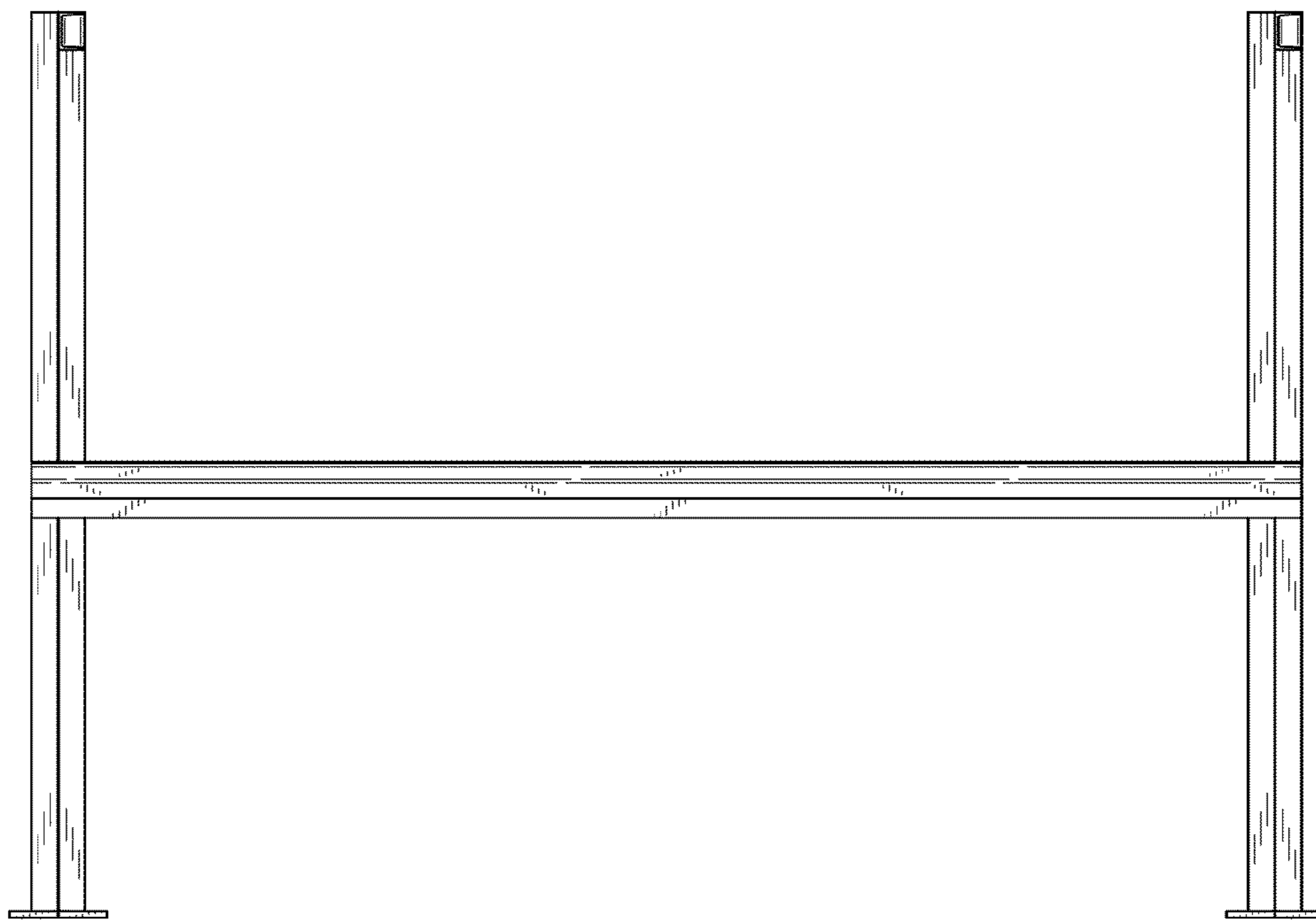
\* cited by examiner



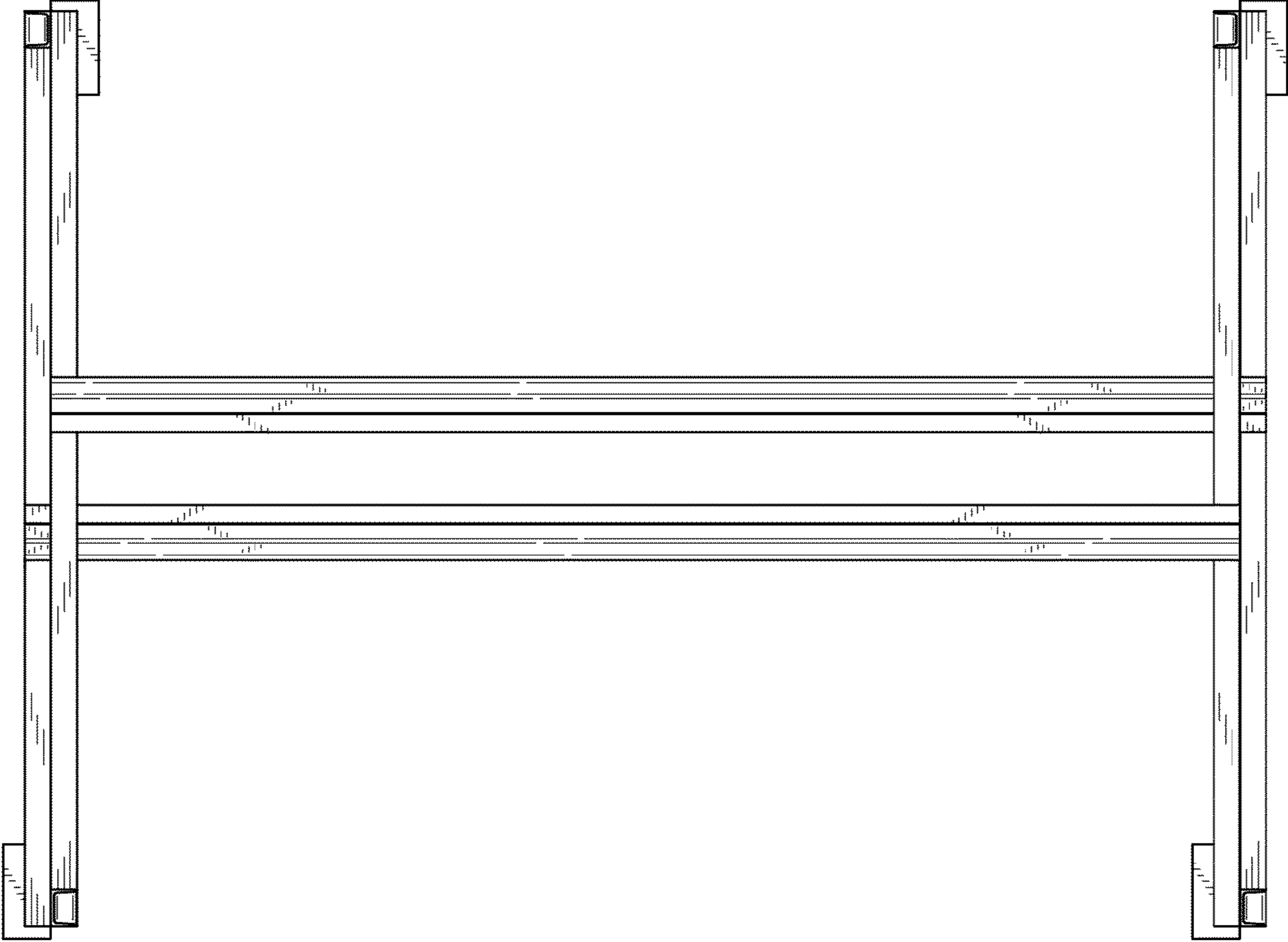
*FIG. 1*



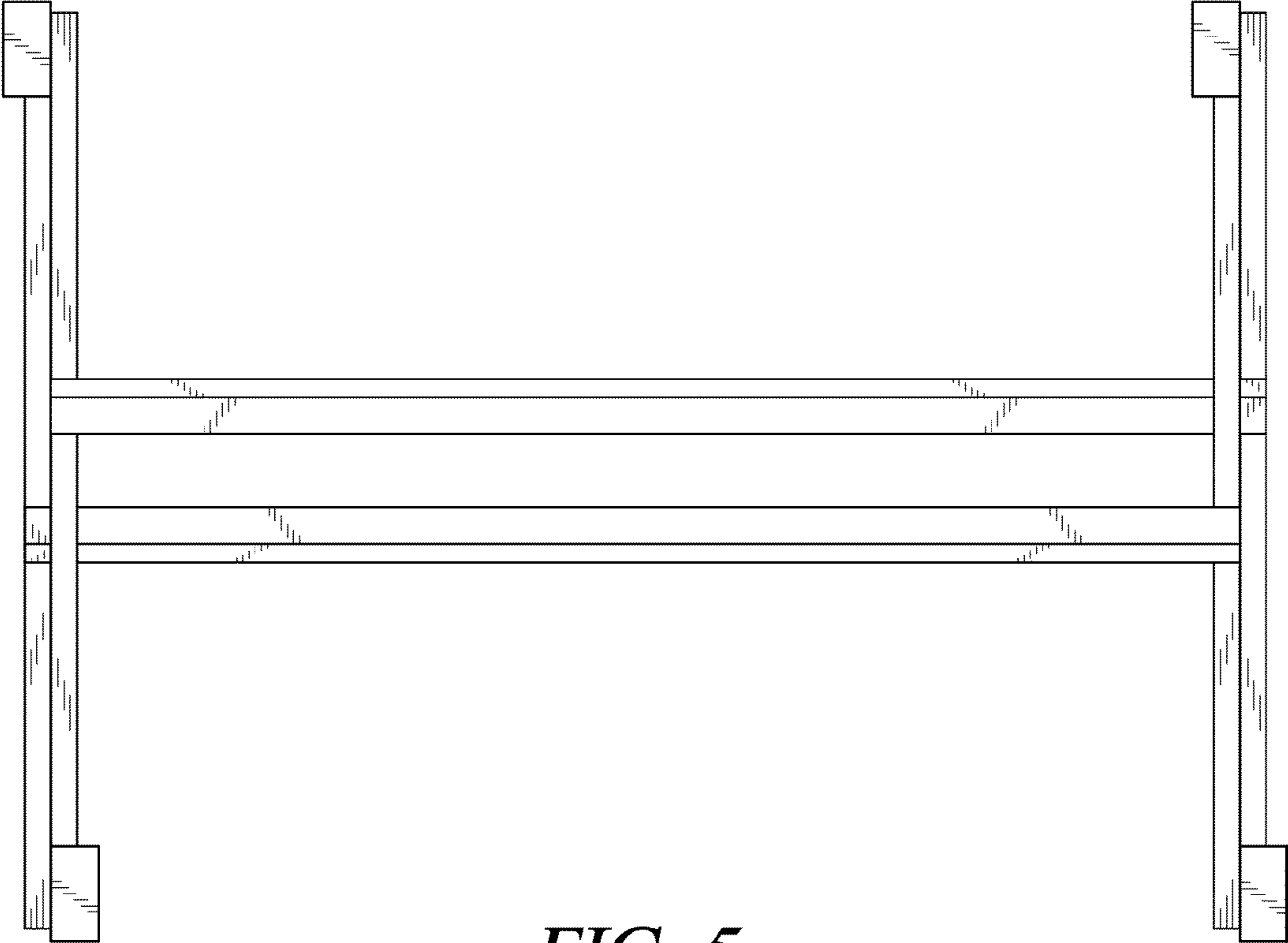
*FIG. 2*



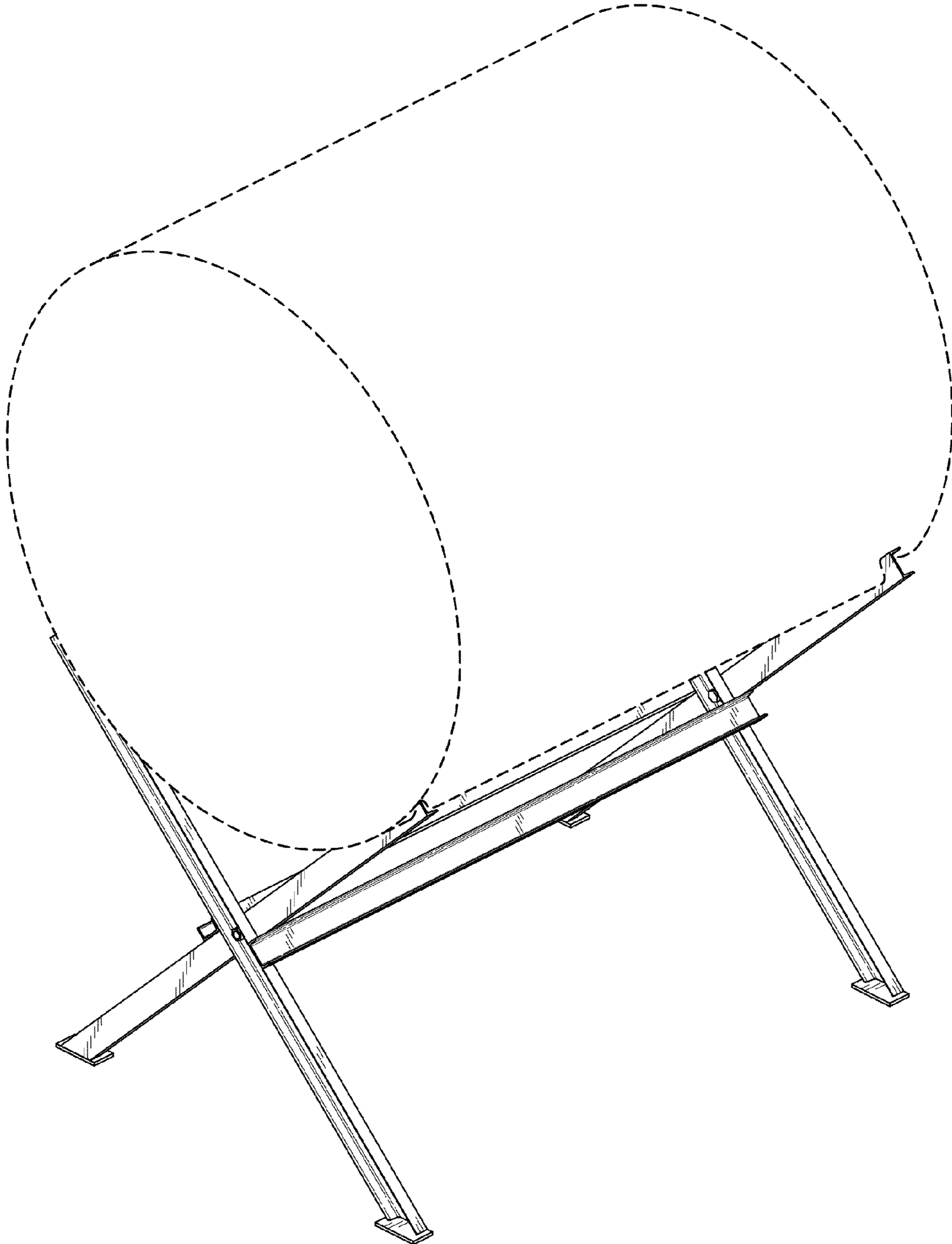
*FIG. 3*



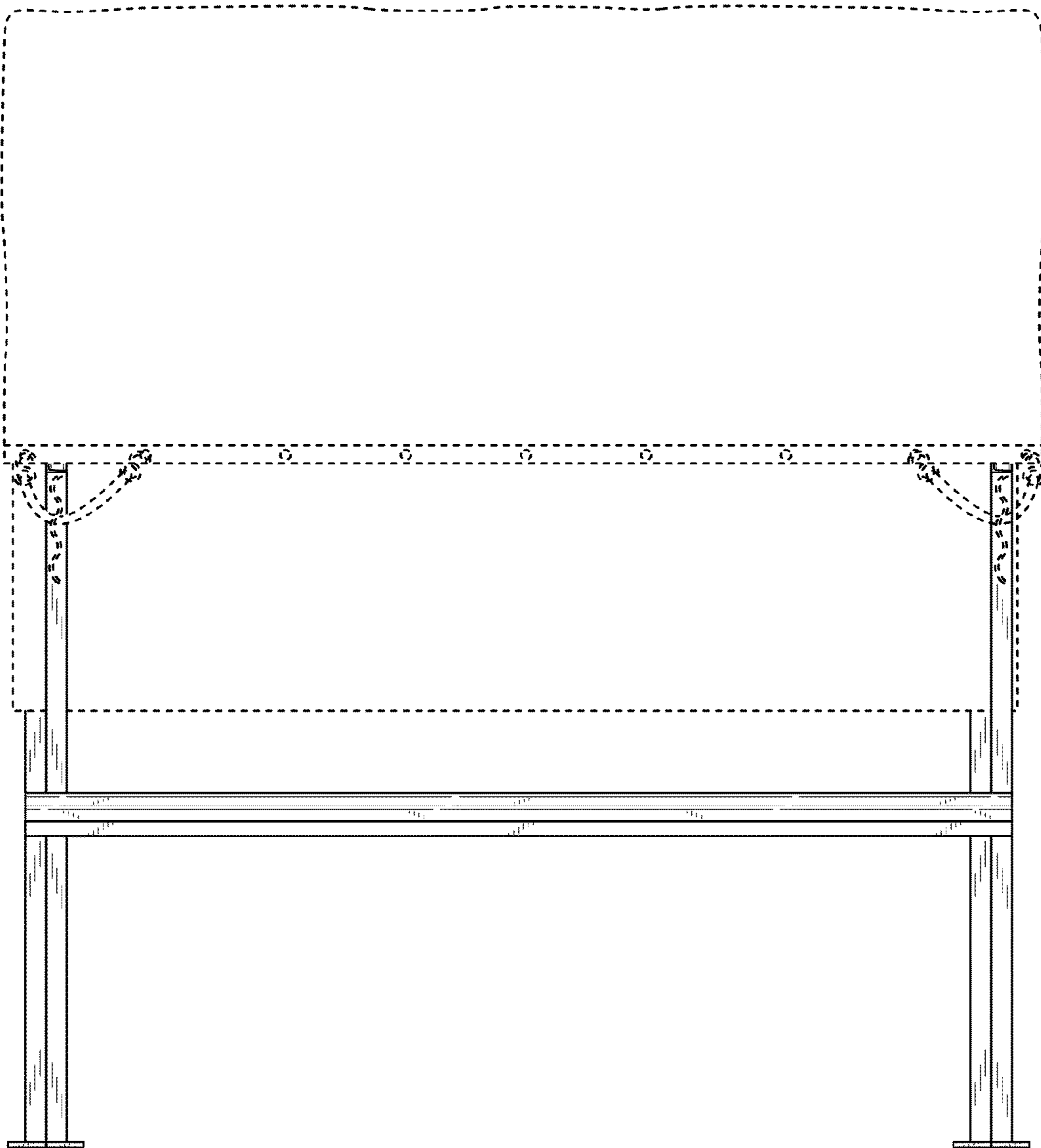
*FIG. 4*



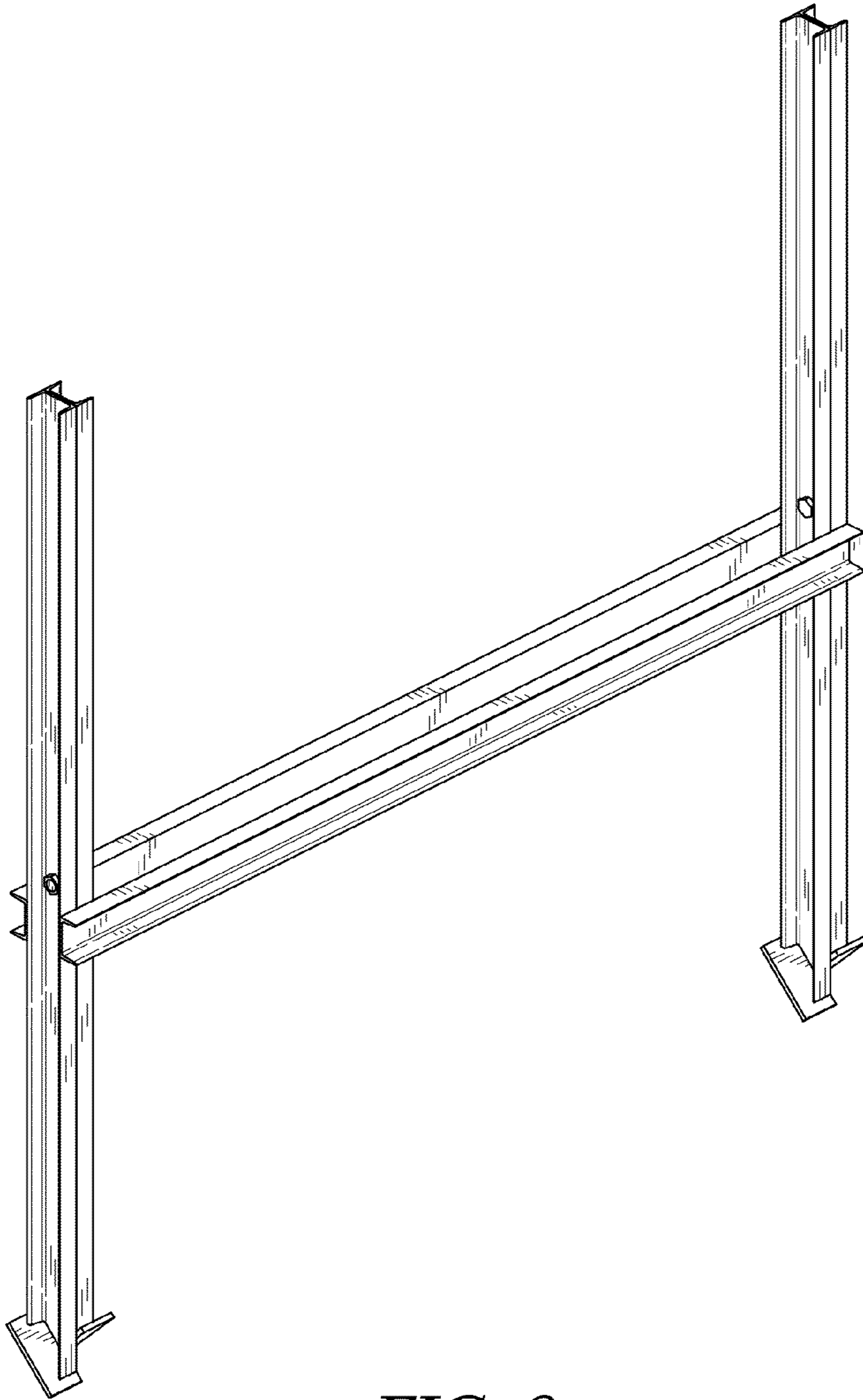
*FIG. 5*



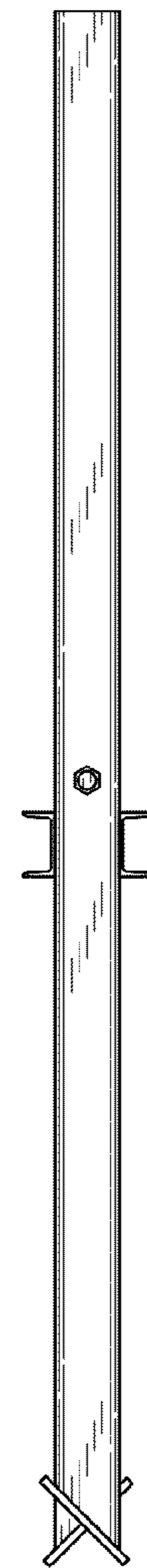
*FIG. 6*



*FIG. 7*



*FIG. 8*



*FIG. 9*