

US00D685947S

(12) **United States Design Patent**  
**Pyle**

(10) **Patent No.:** **US D685,947 S**  
(45) **Date of Patent:** **\*\* Jul. 9, 2013**

(54) **LAMP**

(71) Applicant: **Hubbardton Forge LLC**, Castleton, VT (US)

(72) Inventor: **Zach Pyle**, North Clarendon, VT (US)

(73) Assignee: **Hubbardton Forge, LLC**, Castleton, VT (US)

(\*\*) Term: **14 Years**

(21) Appl. No.: **29/436,834**

(22) Filed: **Nov. 9, 2012**

(51) **LOC (9) Cl.** ..... **26-99**

(52) **U.S. Cl.**  
USPC ..... **D26/118**

(58) **Field of Classification Search**  
USPC ..... D26/118, 119, 120, 67, 68, 69, 62, D26/63, 85, 86, 121, 122, 65, 124, 125, 139, D26/138, 140, 155, 154, 72, 76, 75, 64, 66, D26/71, 78, 79, 84, 137, 136, 126, 127, 128, D26/129, 135, 132, 134, 142, 144, 145, 147, D26/152, 1, 2, 3, 87, 88, 24, 25, 26, 28, 89, D26/90, 91, 92; 362/225, 326, 147, 362/249.01-249.12, 346, 223, 224, 306, 362/149, 362, 217.05, 342, 217.03, 297, 362/294, 235, 329, 476, 555, 218; D13/179, D13/180

See application file for complete search history.

(56) **References Cited**

**U.S. PATENT DOCUMENTS**

D81,234 S *	5/1930	Gunnison	.....	D26/86
1,876,667 A *	9/1932	Gunnison	.....	362/303
2,097,187 A *	10/1937	Hron	.....	338/73
D152,336 S *	1/1949	Hirshfield	.....	D26/87
5,384,694 A *	1/1995	Yang	.....	362/298
D389,937 S *	1/1998	O'Brien et al.	.....	D26/68
D427,351 S *	6/2000	Landefeld	.....	D26/67

D487,530 S *	3/2004	Hsu	.....	D26/92
6,719,442 B1 *	4/2004	Chen	.....	362/328
D496,124 S *	9/2004	Parres	.....	D26/85
D501,058 S *	1/2005	Parres	.....	D26/80
6,874,905 B1 *	4/2005	Beadle	.....	362/153.1
D506,281 S *	6/2005	Randazzo et al.	.....	D26/67
D530,845 S *	10/2006	Porter	.....	D26/92
D556,368 S *	11/2007	Kohler et al.	.....	D26/142
D558,912 S *	1/2008	Crosby et al.	.....	D26/88
D588,300 S *	3/2009	Sabernig	.....	D26/89
D599,495 S *	9/2009	Xiao et al.	.....	D26/67
D609,838 S *	2/2010	Boissevain	.....	D26/71
D631,188 S *	1/2011	Lovegrove	.....	D26/138
D651,737 S *	1/2012	Martin	.....	D26/128
D652,163 S *	1/2012	Tsai	.....	D26/118
D653,383 S *	1/2012	Parker et al.	.....	D26/118
D653,384 S *	1/2012	Parker et al.	.....	D26/118
D660,504 S *	5/2012	Martin	.....	D26/88
D663,457 S *	7/2012	Ho et al.	.....	D26/67
D676,995 S *	2/2013	Ho et al.	.....	D26/67

\* cited by examiner

*Primary Examiner* — Kevin Rudzinski

(74) *Attorney, Agent, or Firm* — Bourque and Associates, PA

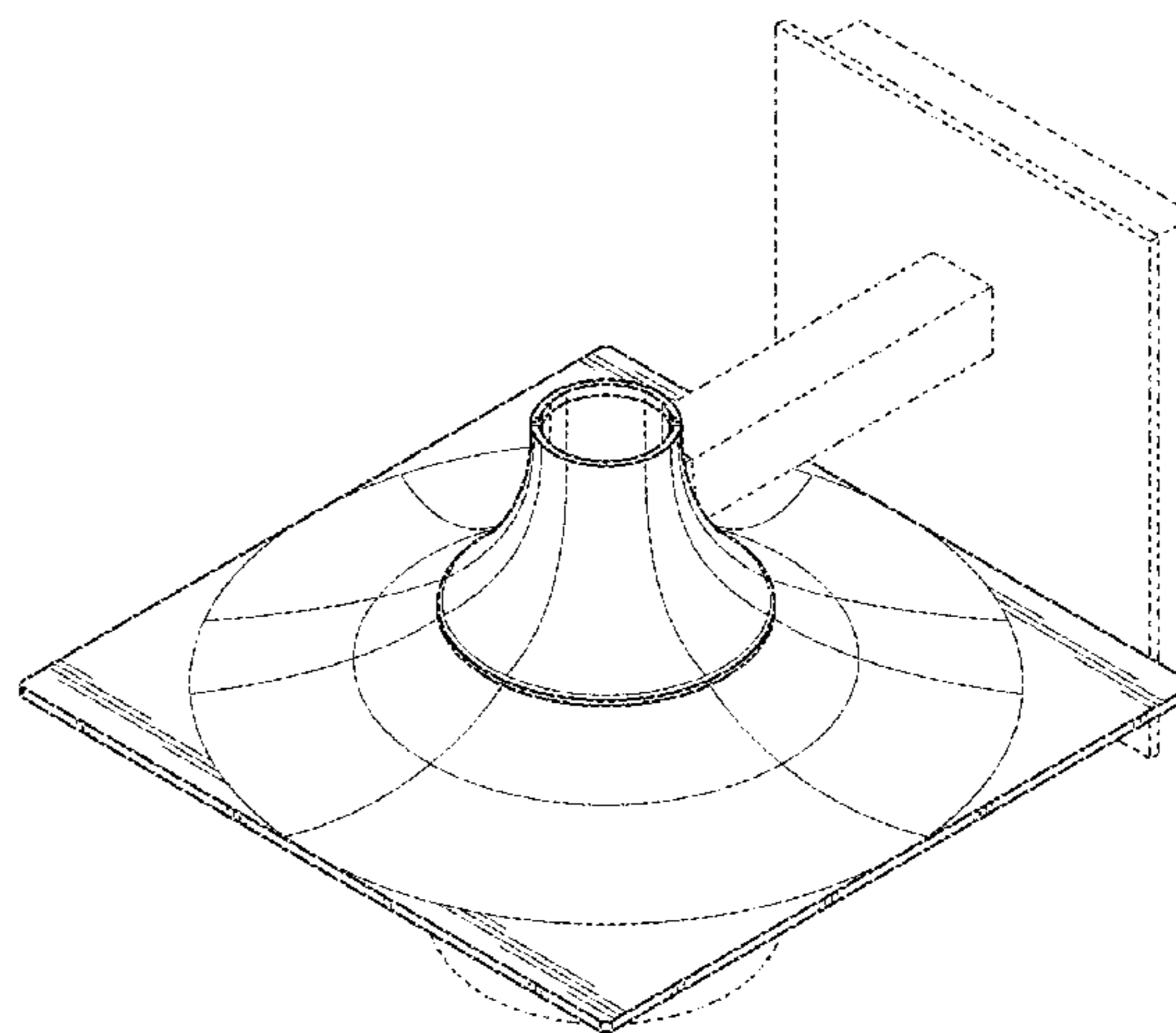
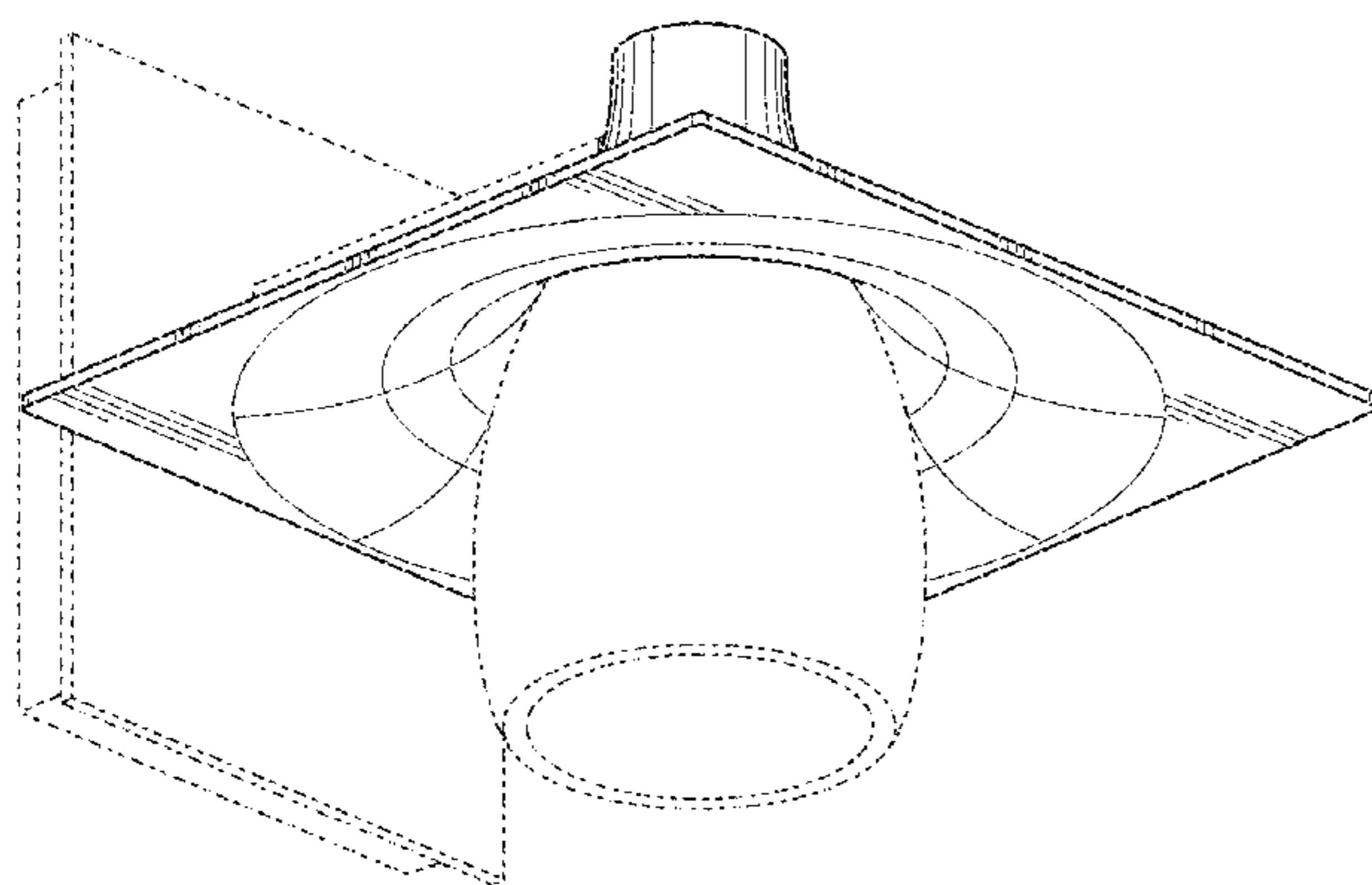
(57) **CLAIM**

The ornamental design for a lamp, as shown.

**DESCRIPTION**

FIG. 1 is a perspective view of the lamp according to the present invention;  
FIG. 2 is another perspective view of the lamp thereof;  
FIG. 3 is a front view of the lamp thereof;  
FIG. 4 is a back view of the lamp thereof;  
FIG. 5 is a right view of the lamp thereof;  
FIG. 6 is a left view of the lamp thereof;  
FIG. 7 is a top view of the lamp thereof; and,  
FIG. 8 is a bottom view of the lamp thereof.  
The broken lines shown in the drawings illustrate portions of the lamp that form no part of the claimed design.

**1 Claim, 8 Drawing Sheets**



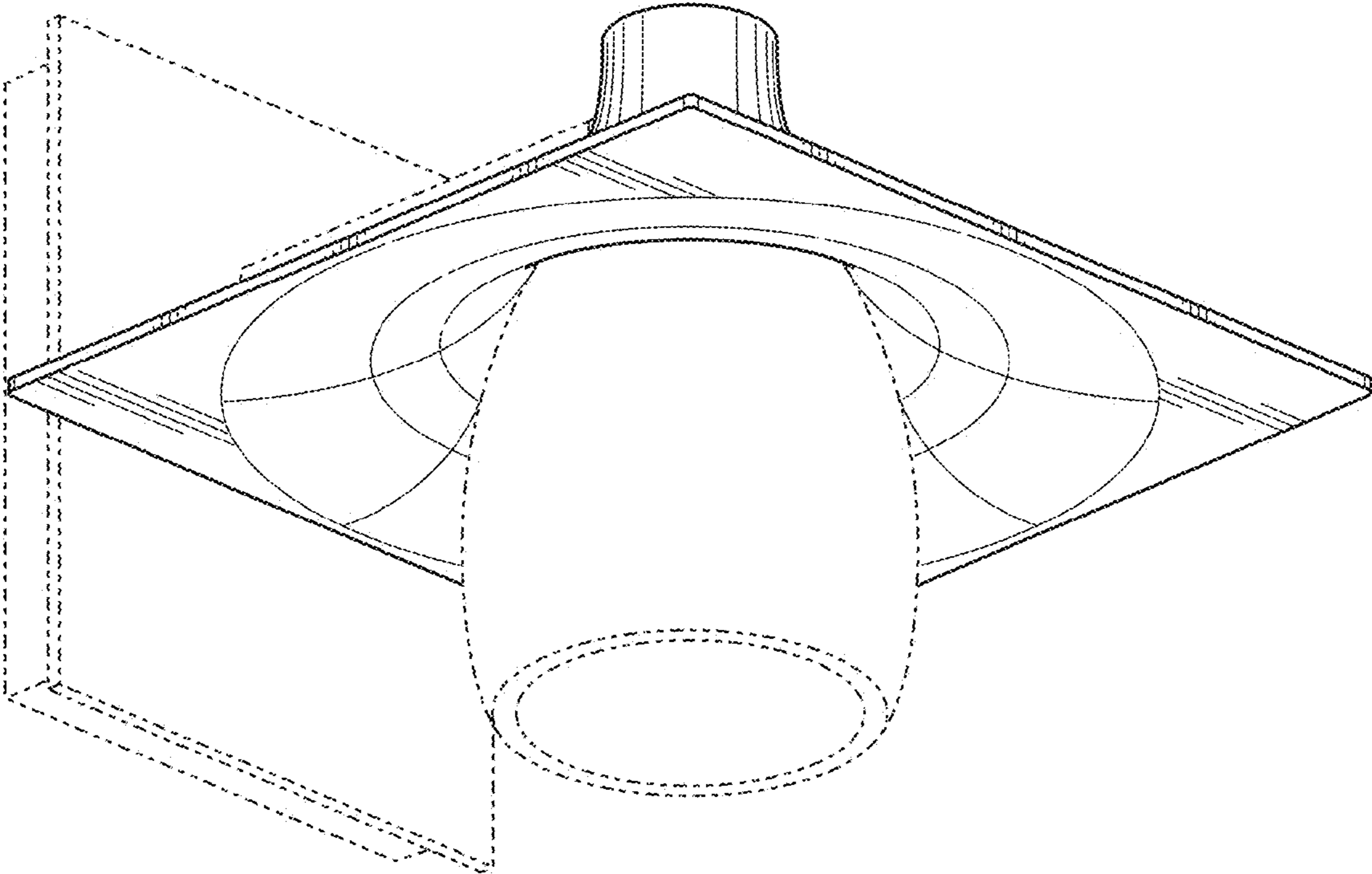


FIG. 1

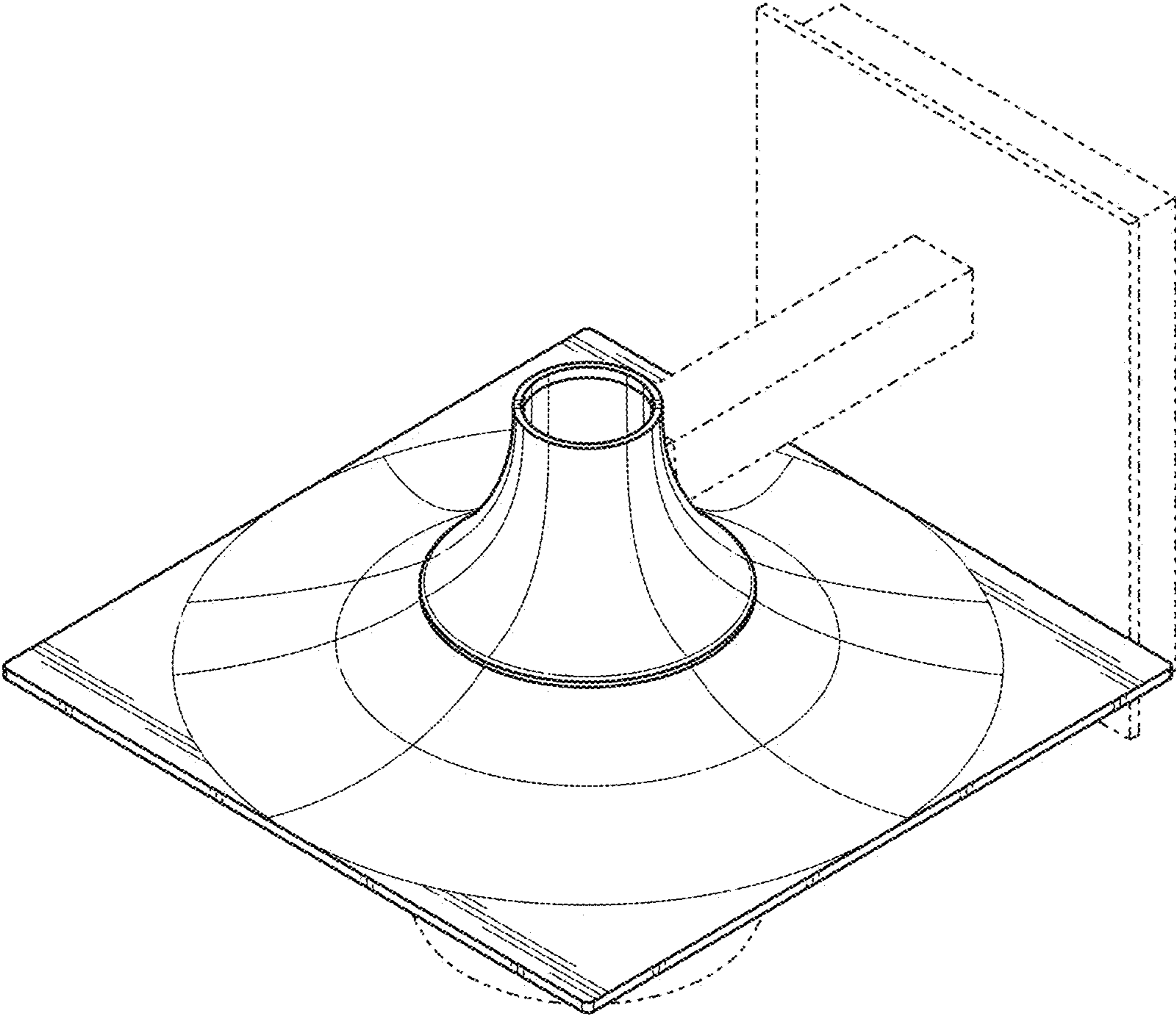


FIG. 2

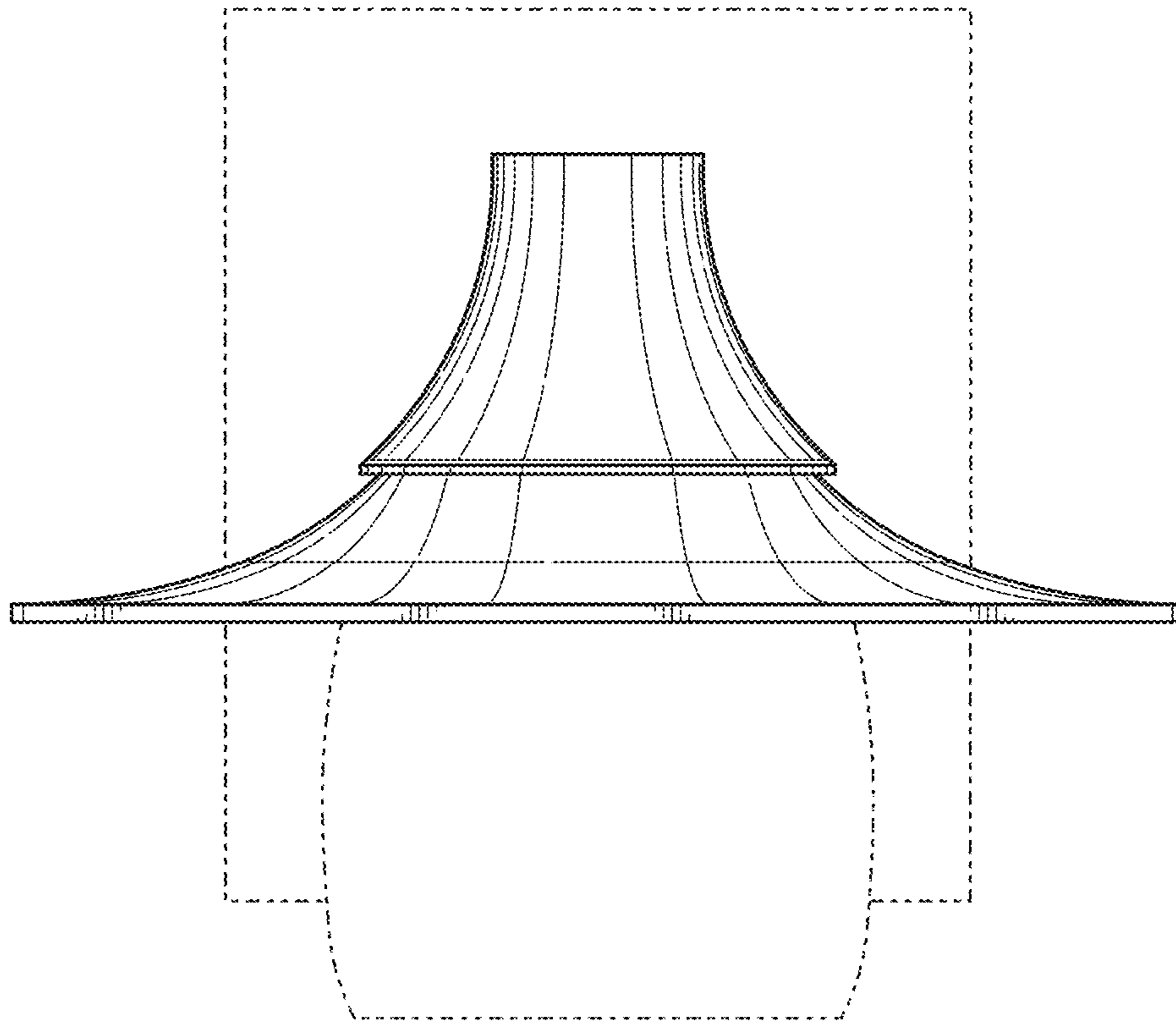


FIG. 3

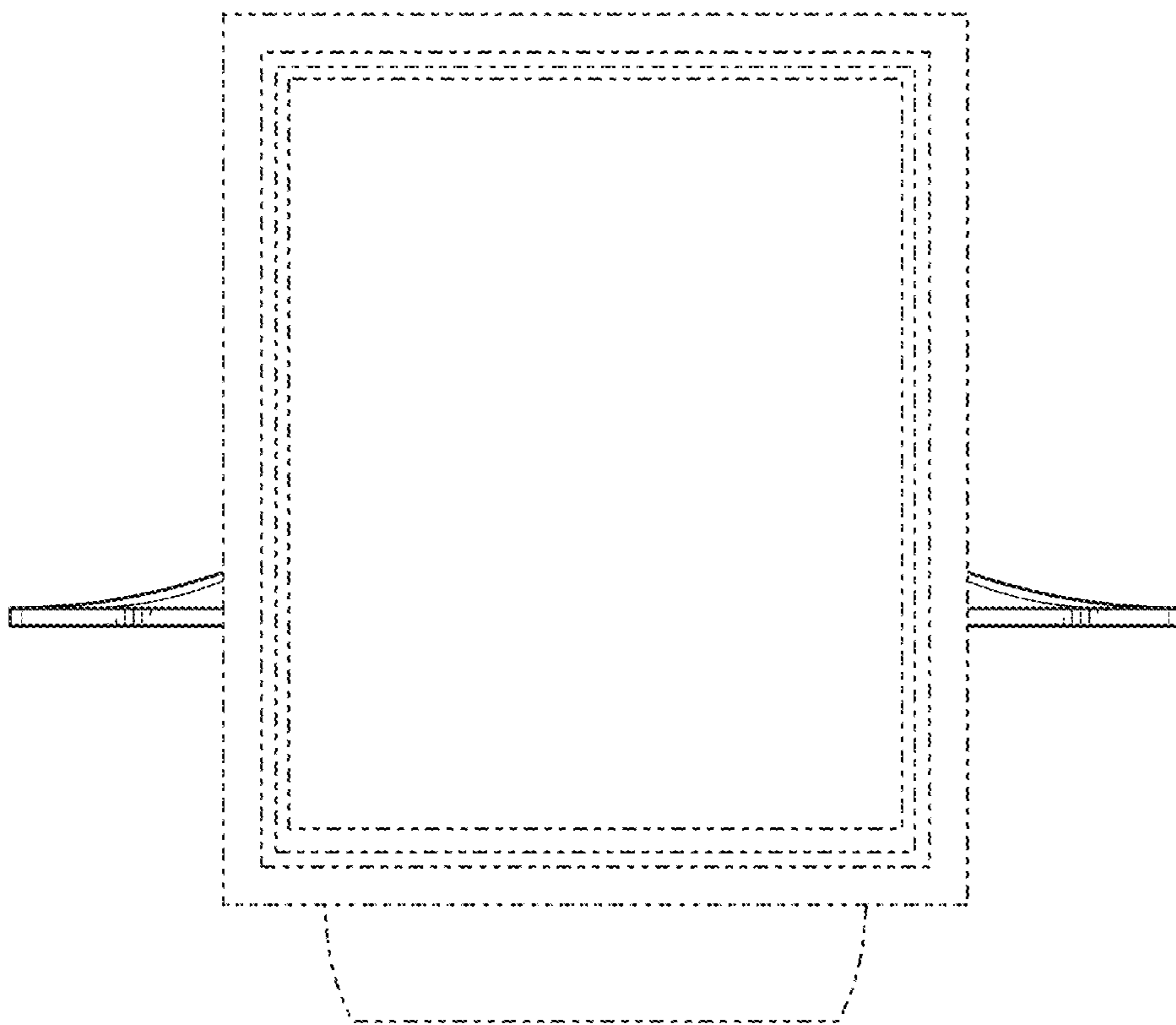


FIG. 4

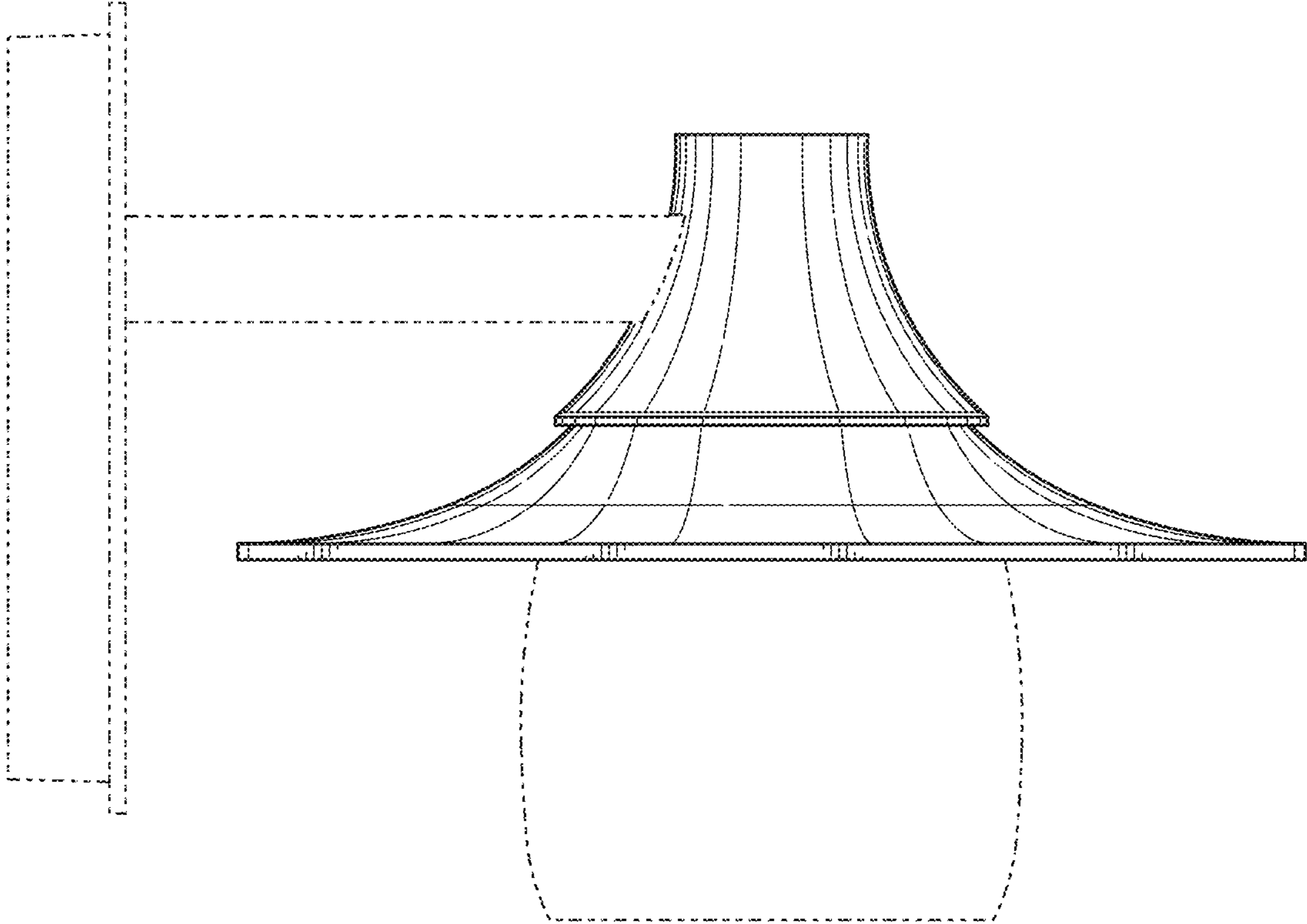


FIG. 5

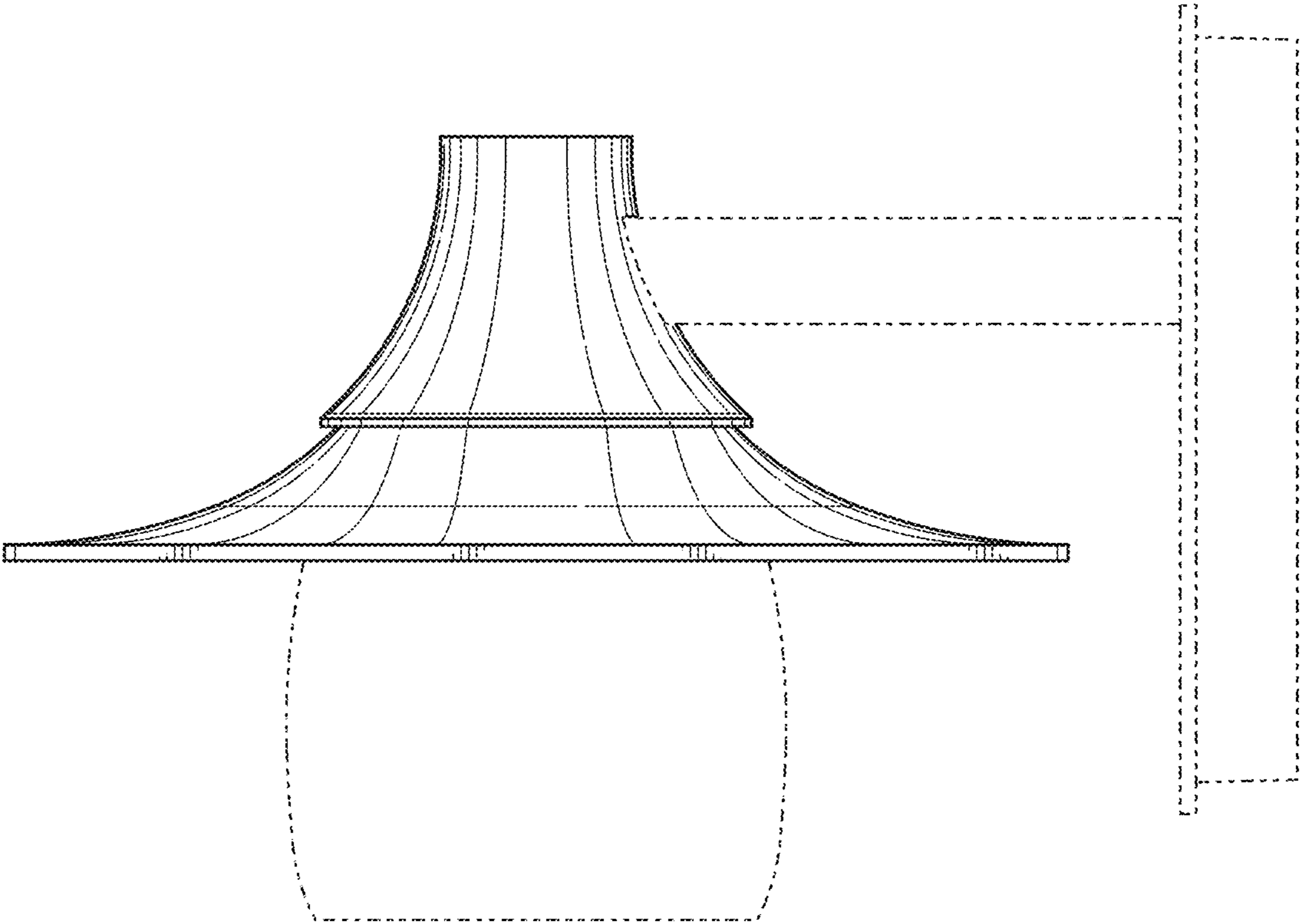


FIG. 6

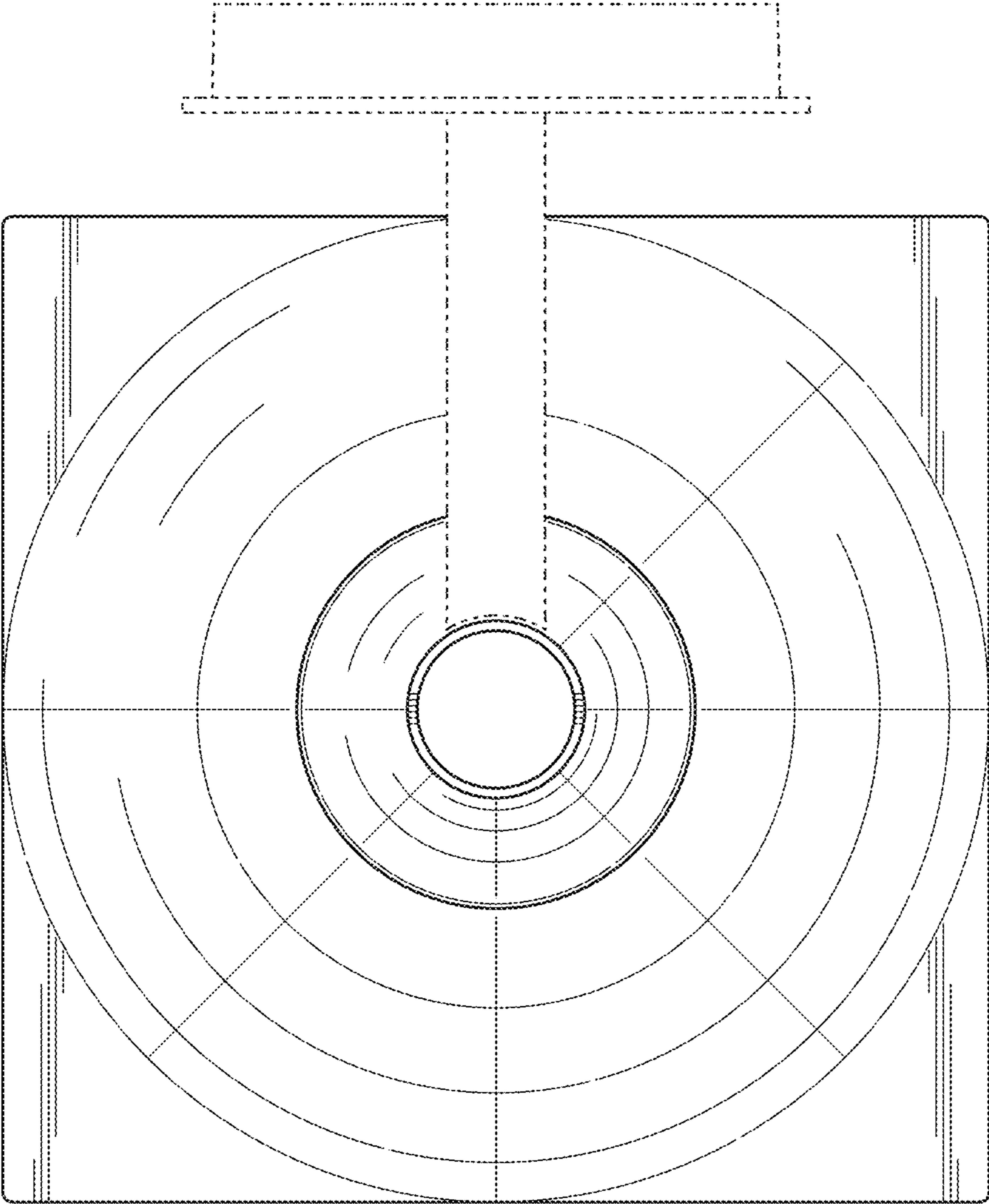


FIG. 7



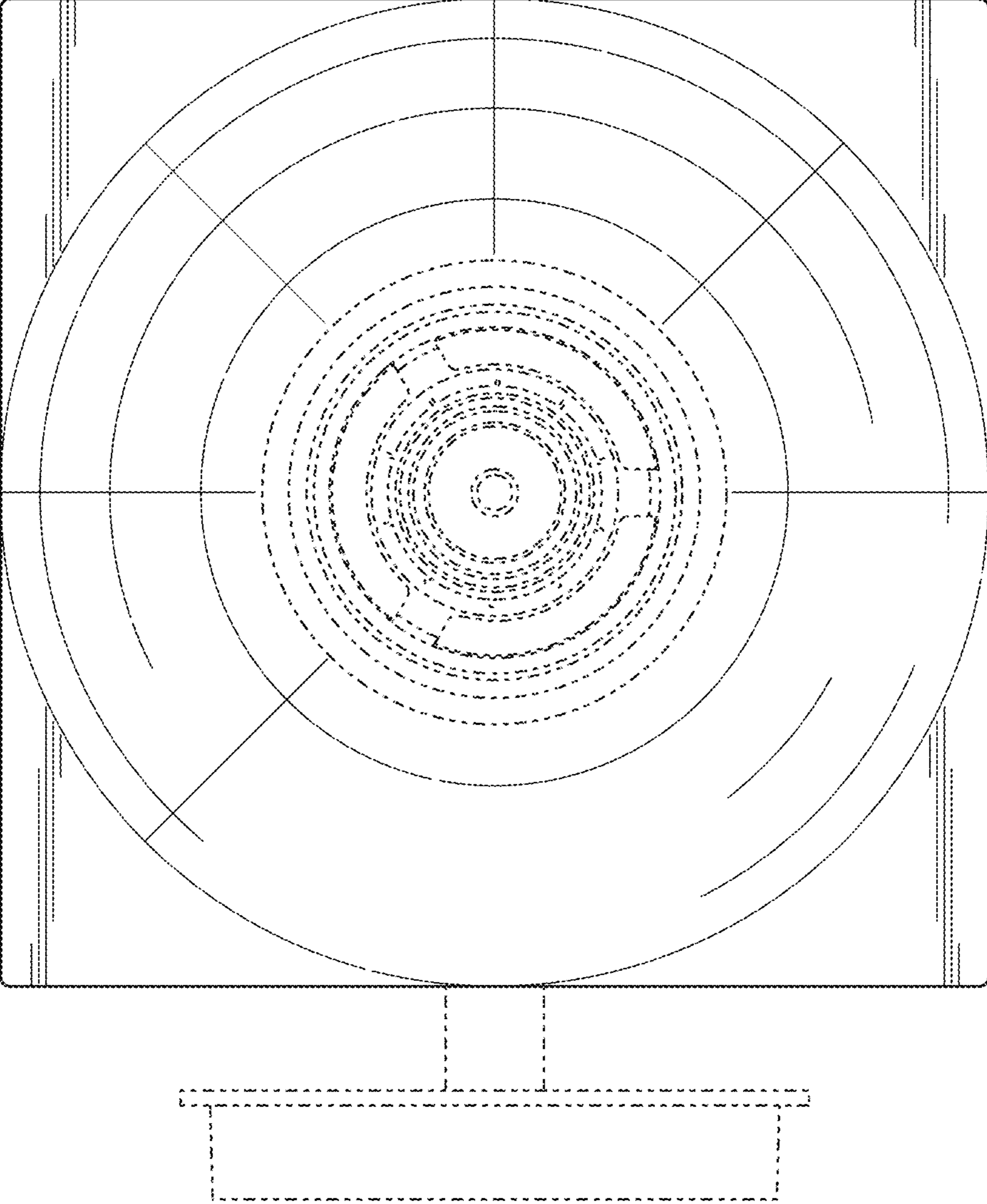


FIG. 8