



US00D685946S

(12) **United States Design Patent**
Vivian

(10) **Patent No.:** **US D685,946 S**
(45) **Date of Patent:** **** Jul. 9, 2013**

(54) **WALL LIGHT**

(71) Applicant: **Emme Pi Light - Masiero S.R.L.**,
Casale sul Sile (IT)

(72) Inventor: **Manuel Vivian**, Martellago (IT)

(73) Assignee: **Emme Pi Light-Masiero S.R.L.**, Casale
sul Sile (IT)

(**) Term: **14 Years**

(21) Appl. No.: **29/436,464**

(22) Filed: **Nov. 6, 2012**

(51) **LOC (9) Cl.** **26-03**

(52) **U.S. Cl.**
USPC **D26/87**

(58) **Field of Classification Search**
USPC D26/72, 81-84, 86-88, 91, 92, 143,
D26/144, 145, 152, 155, 156; 362/122, 147,
362/404-408, 431, 432

See application file for complete search history.

(56) **References Cited**

U.S. PATENT DOCUMENTS

D72,714 S * 5/1927 Lipshutz D26/87
D366,714 S * 1/1996 Porter D26/81
D417,523 S * 12/1999 Kluck D26/144

D442,318 S * 5/2001 Hsieh D26/87
D442,728 S * 5/2001 Littman D26/87
D443,944 S * 6/2001 De'Armond D26/87
D455,856 S * 4/2002 De'Armond et al. D26/92
D520,174 S * 5/2006 Chen D26/81
D535,428 S * 1/2007 Flores et al. D26/87
D570,029 S * 5/2008 Hsu D26/86
D575,438 S * 8/2008 Young D26/87
D584,845 S * 1/2009 Chen D26/81
D634,880 S * 3/2011 Pedrali D26/90

OTHER PUBLICATIONS

South Bay Wall lamps shown on p. 148 of the Troy Lighting Catalog
© 2006.(2 pages).*

* cited by examiner

Primary Examiner — Clare E Heflin

(74) *Attorney, Agent, or Firm* — Themis Law

(57) **CLAIM**

The ornamental design for a wall light, as shown.

DESCRIPTION

FIG. 1 is a bottom plan view of a wall light showing my new
design;

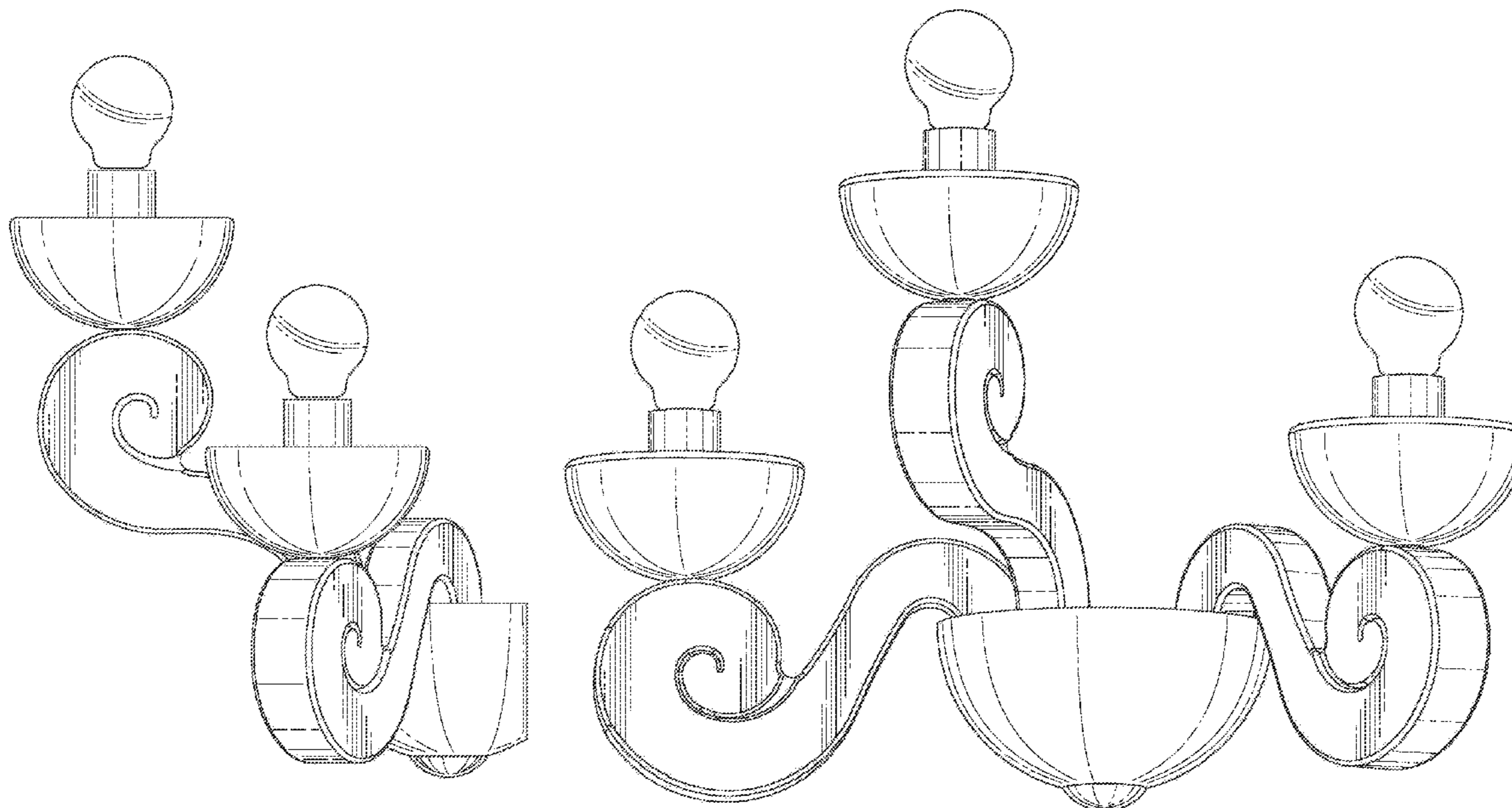
FIG. 2 is a top plan view thereof;

FIG. 3 is a front elevational view thereof;

FIG. 4 is a right side elevational view thereof; and,

FIG. 5 is a perspective view thereof.

1 Claim, 5 Drawing Sheets



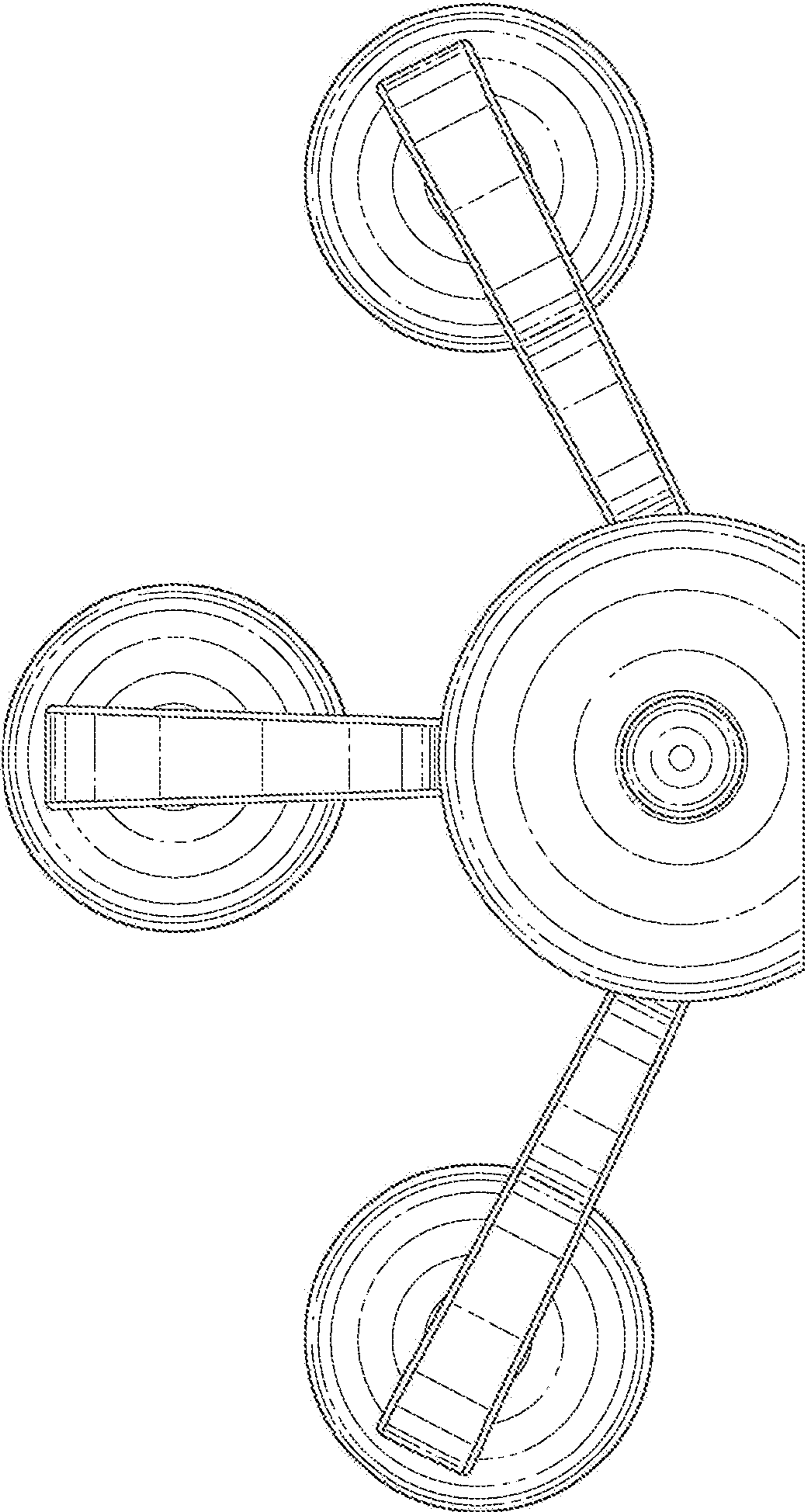


FIG. 1

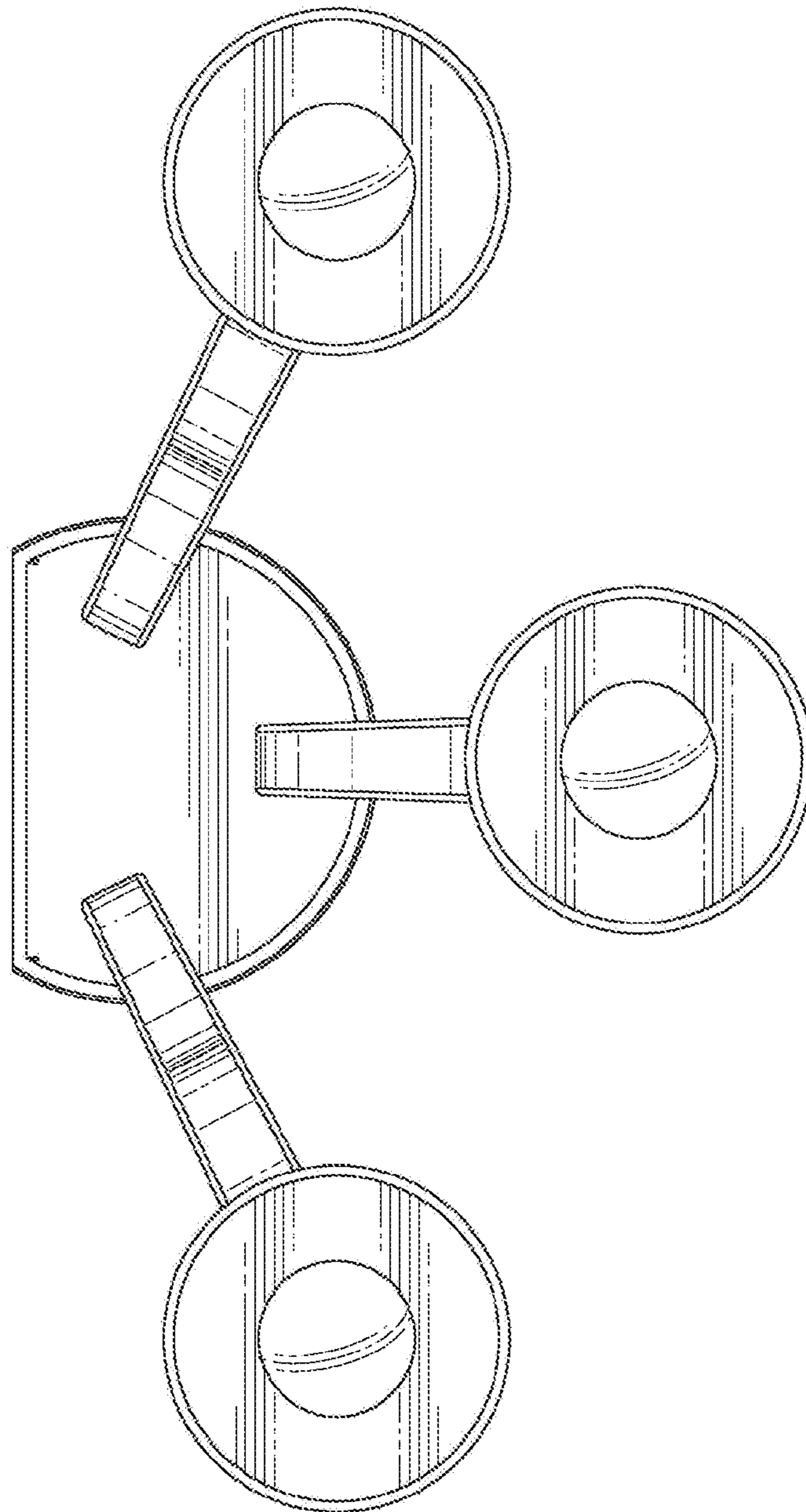


FIG. 2

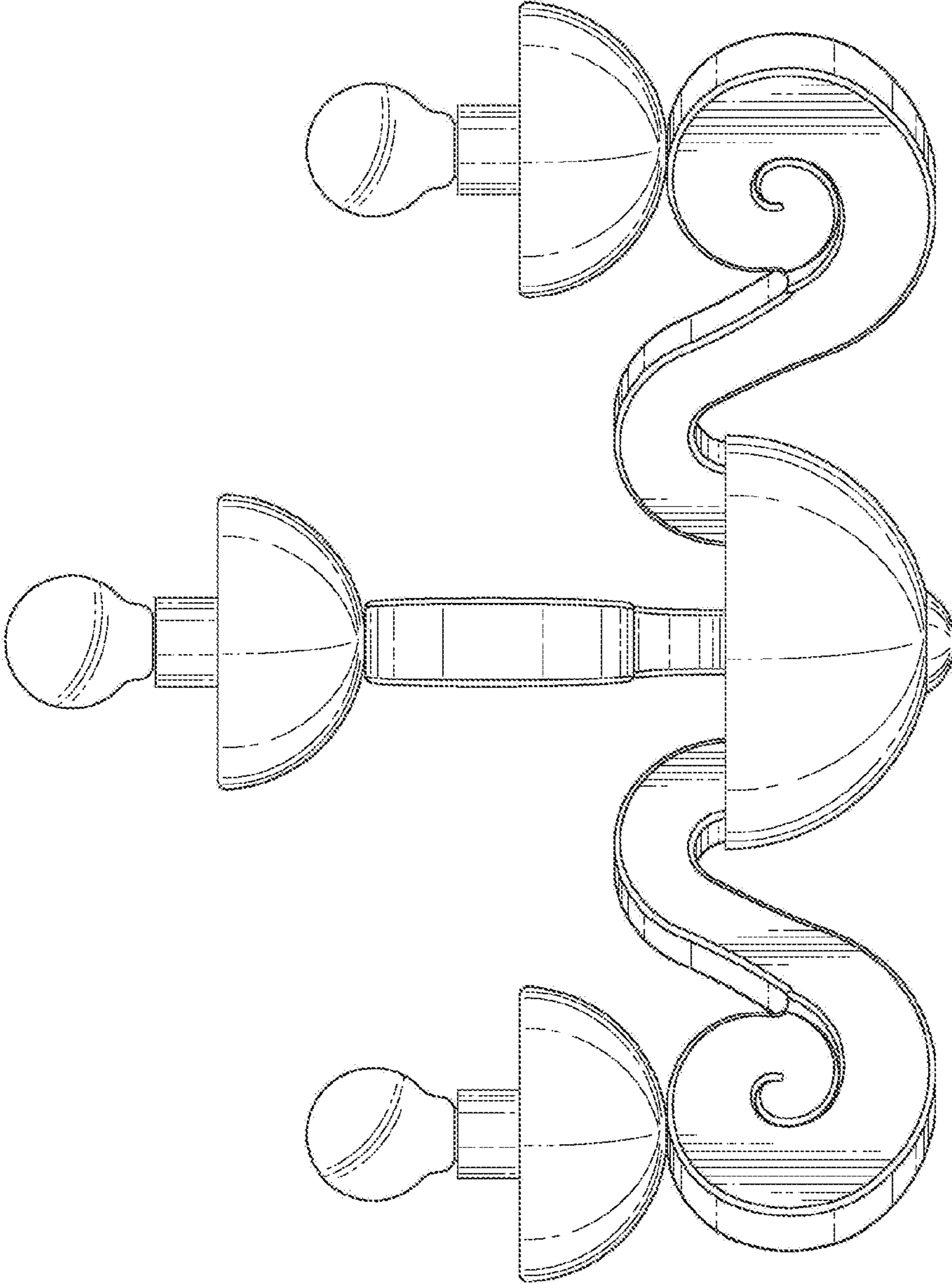


FIG. 3

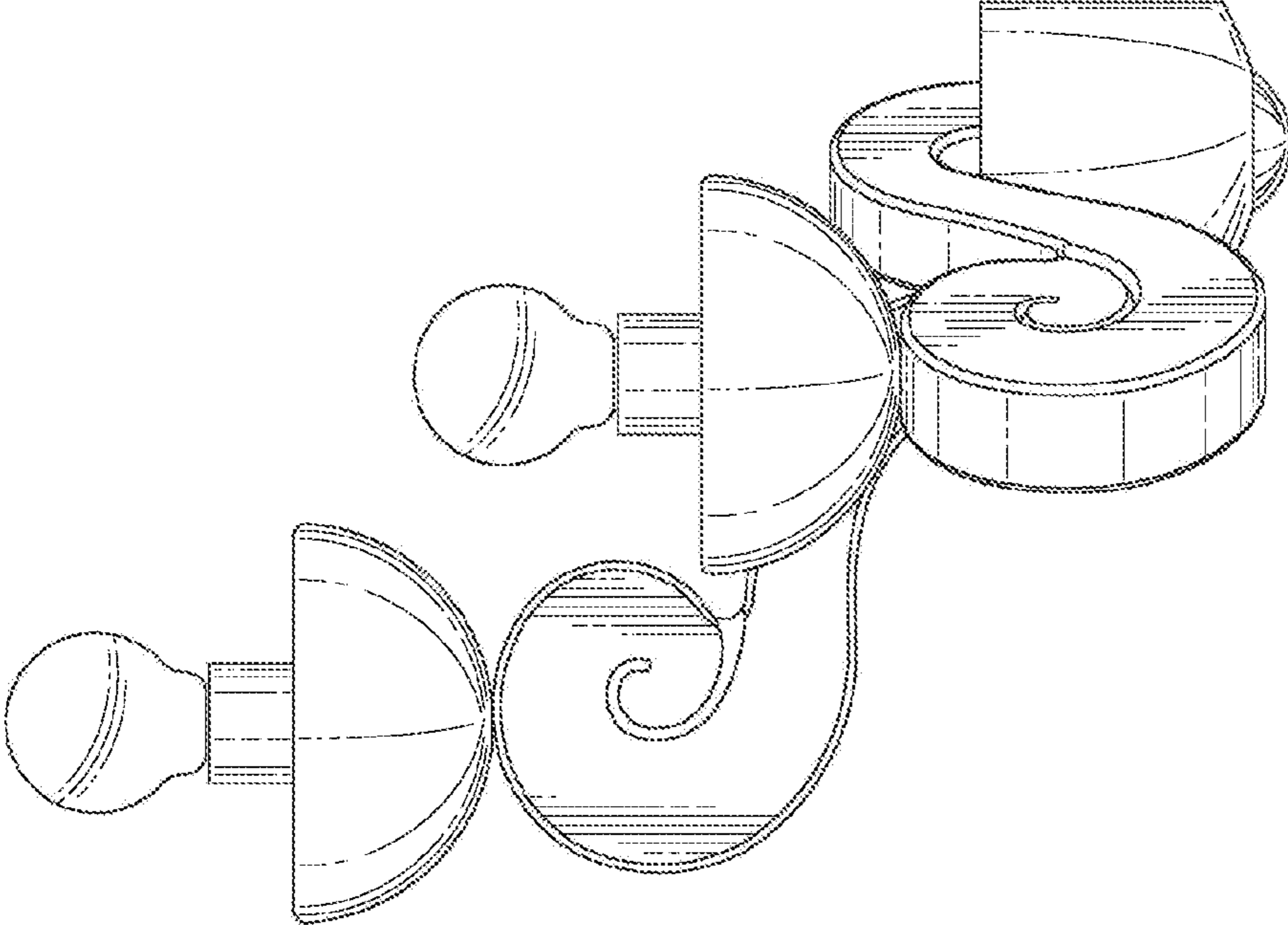


FIG. 4

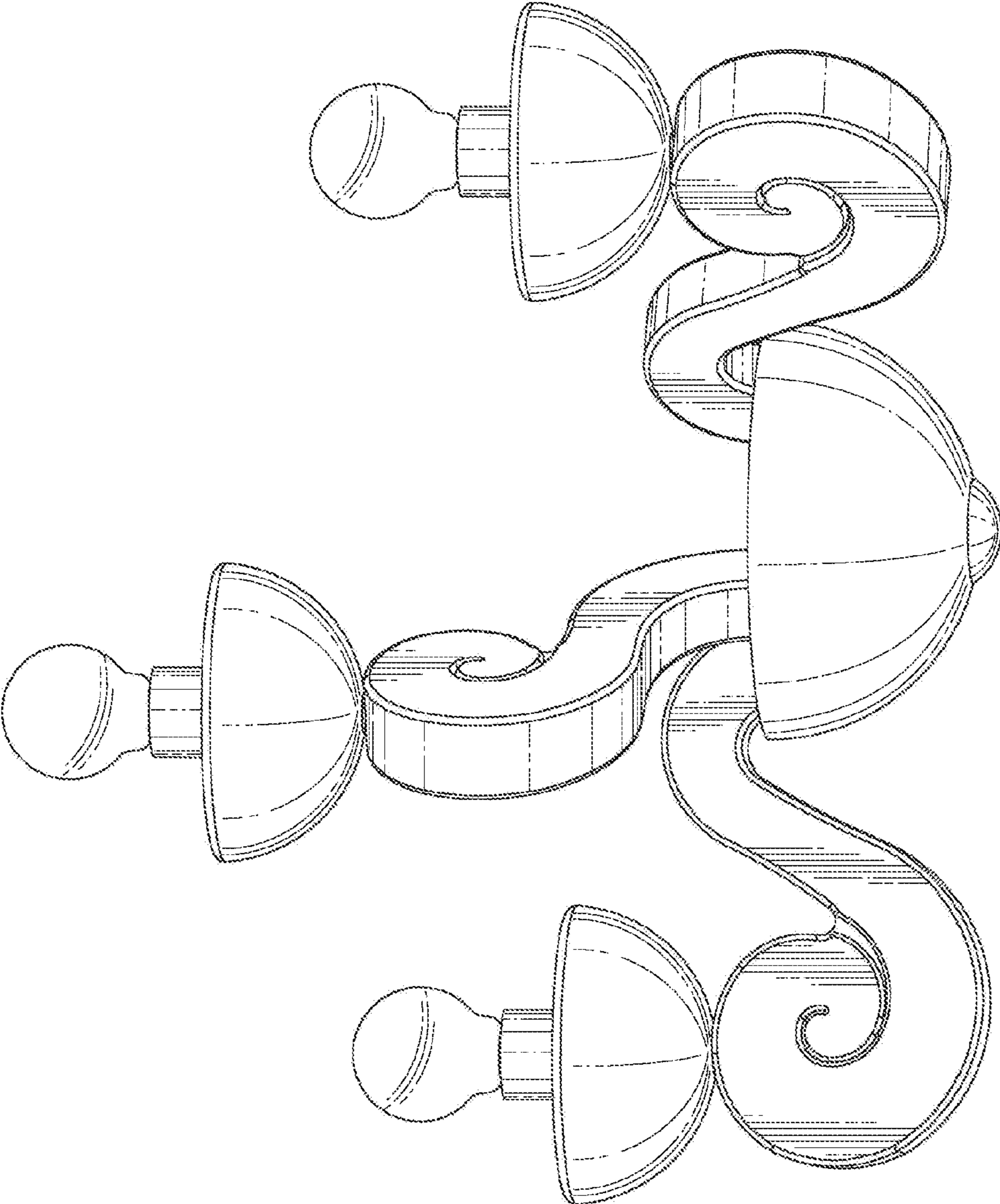


FIG. 5