

US00D685942S

(12) **United States Design Patent**
Duquette et al.

(10) **Patent No.:** **US D685,942 S**
(45) **Date of Patent:** **** Jul. 9, 2013**

(54) **LED MODULE**

(75) Inventors: **Jean-Francois Duquette**, Kirkland (CA); **Étienne Dansereau**, Montreal (CA); **Serge Maurice**, Laval (CA); **Jean-Francois Laporte**, Laval (CA)

(73) Assignee: **Koninklijke Philips Electronics N.V.**, Eindhoven (NL)

(**) Term: **14 Years**

(21) Appl. No.: **29/417,755**

(22) Filed: **Apr. 9, 2012**

(30) **Foreign Application Priority Data**

Oct. 11, 2011 (EM) 001930389-0001

(51) **LOC (9) Cl.** **26-05**

(52) **U.S. Cl.**
USPC **D26/74**

(58) **Field of Classification Search**

USPC D26/74, 72, 75, 76, 77, 78, 79, 113, D26/118, 120, 122, 138, 141, 152, 24; 362/482, 362/145, 147, 148, 150, 151, 152, 153, 153.1, 362/218, 217.02, 217.03, 217.05, 217.07, 362/217.08, 217.09, 217.1, 217.11, 217.14, 362/217.15, 342, 346, 347, 364, 365, 366, 362/800, 260, 279, 280, 290, 291, 292, 294, 362/296.01, 297, 298, 299, 300, 301, 310, 362/296.07, 311.02, 311.01, 311.09; D5/54, D5/58; D13/180

See application file for complete search history.

(56) **References Cited**

U.S. PATENT DOCUMENTS

D307,059	S	*	4/1990	Szymanek	D26/74
D433,524	S	*	11/2000	Szymanek	D26/76
D457,981	S	*	5/2002	Yeh	D26/76
6,601,976	B1	*	8/2003	Rhee	362/374
D585,581	S	*	1/2009	Purcell	D26/85
D599,943	S	*	9/2009	Bergmann et al.	D26/74
D602,626	S	*	10/2009	Santoro et al.	D26/76
D609,841	S	*	2/2010	Bush	D26/76
D621,085	S	*	8/2010	Kochanski et al.	D26/76
D621,086	S	*	8/2010	Purcell	D26/76
D632,008	S	*	2/2011	Kim et al.	D26/120
D646,826	S	*	10/2011	Smith	D26/74
D663,882	S	*	7/2012	Muraishi et al.	D26/76

* cited by examiner

Primary Examiner — Angela J Lee

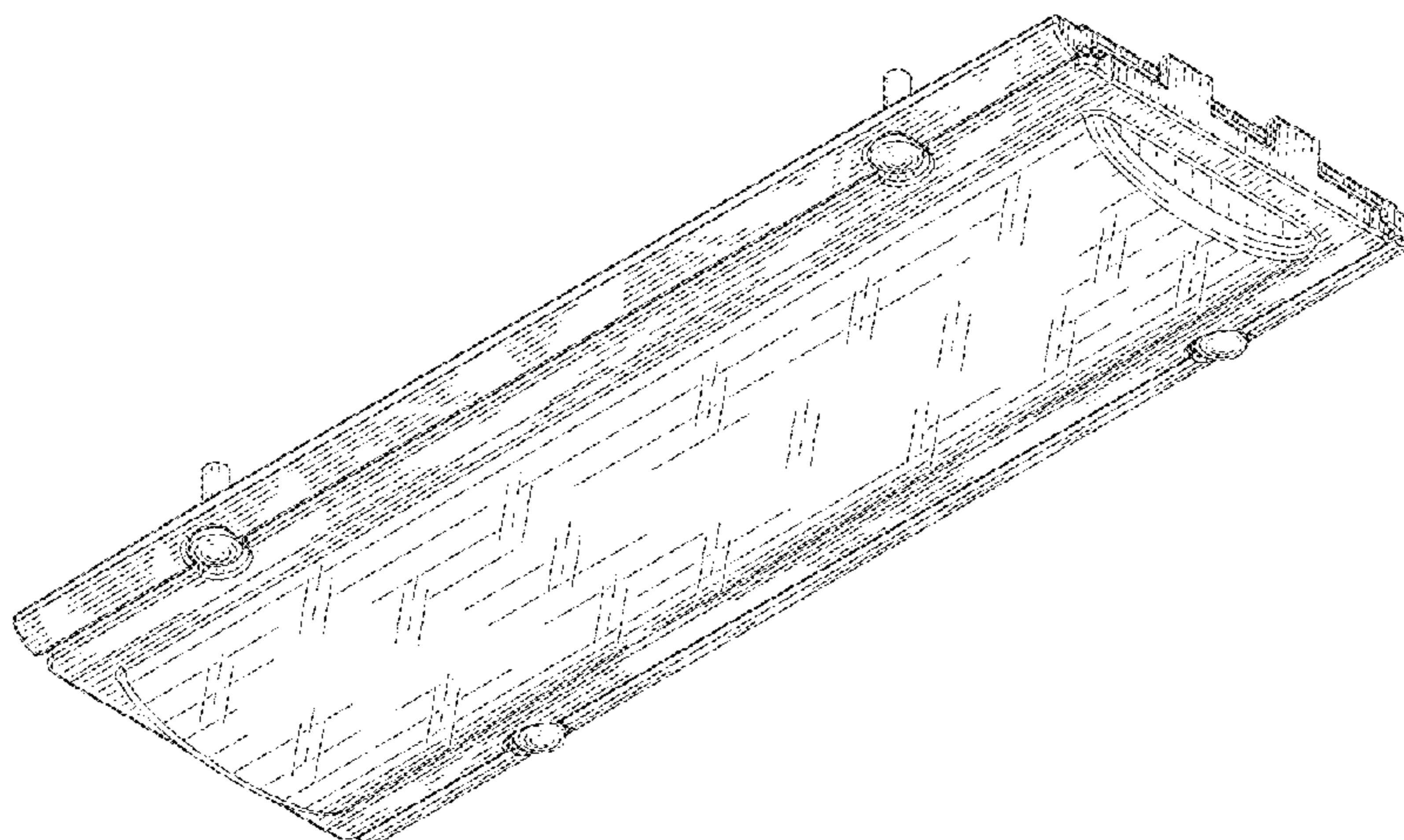
(57) **CLAIM**

The ornamental design for an LED module, as shown and described.

DESCRIPTION

FIG. 1 is a perspective view showing my design; FIG. 2 is a front elevational view thereof; FIG. 3 is a rear elevational view thereof; FIG. 4 is a right side elevational view thereof; FIG. 5 is a left side elevational view thereof; FIG. 6 is a top plan view thereof; and, FIG. 7 is a bottom plan view thereof. The portions of the LED module shown in broken lines form no part of the claimed design.

1 Claim, 3 Drawing Sheets



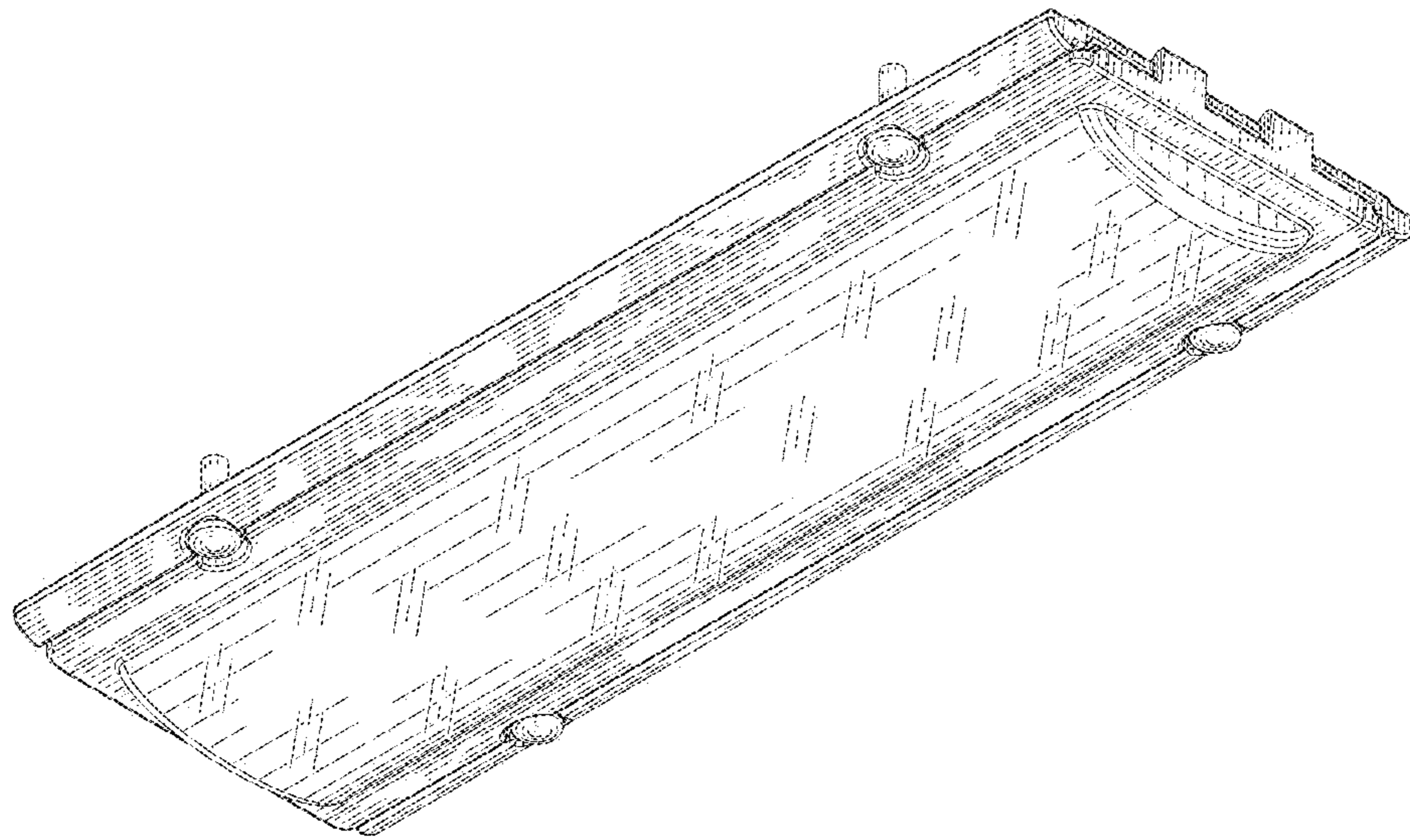


FIG. 1

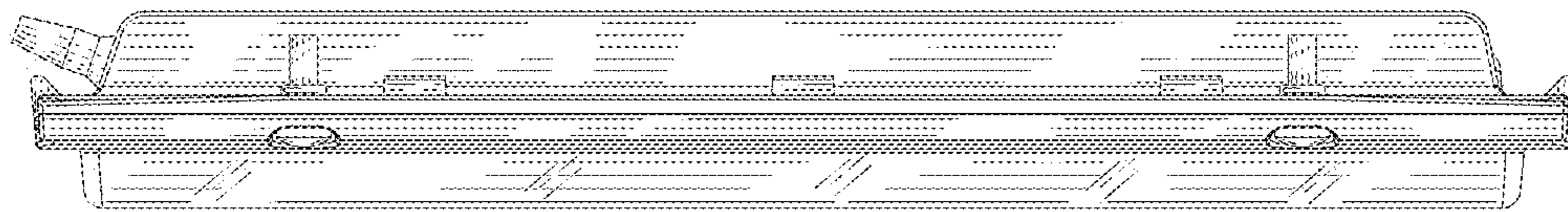


FIG. 2

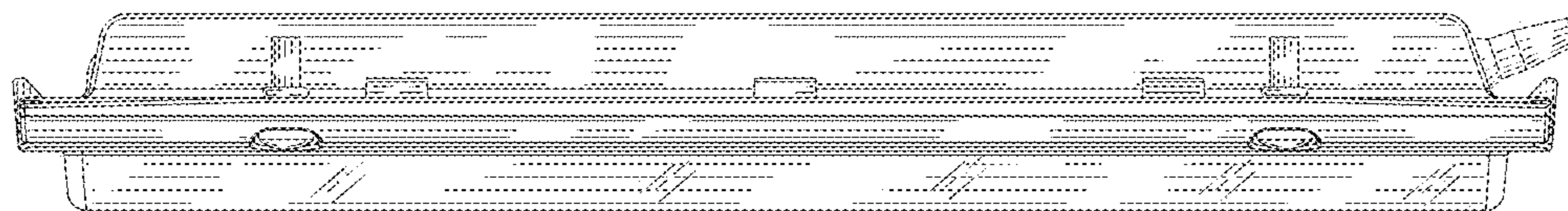


FIG. 3

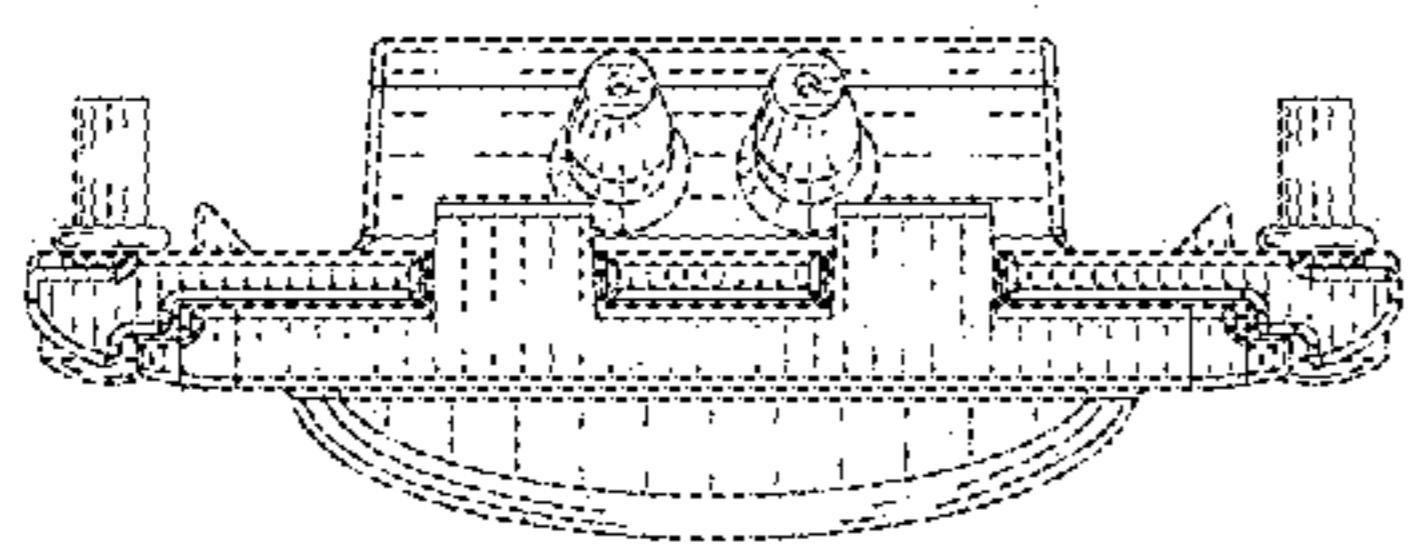


FIG. 4

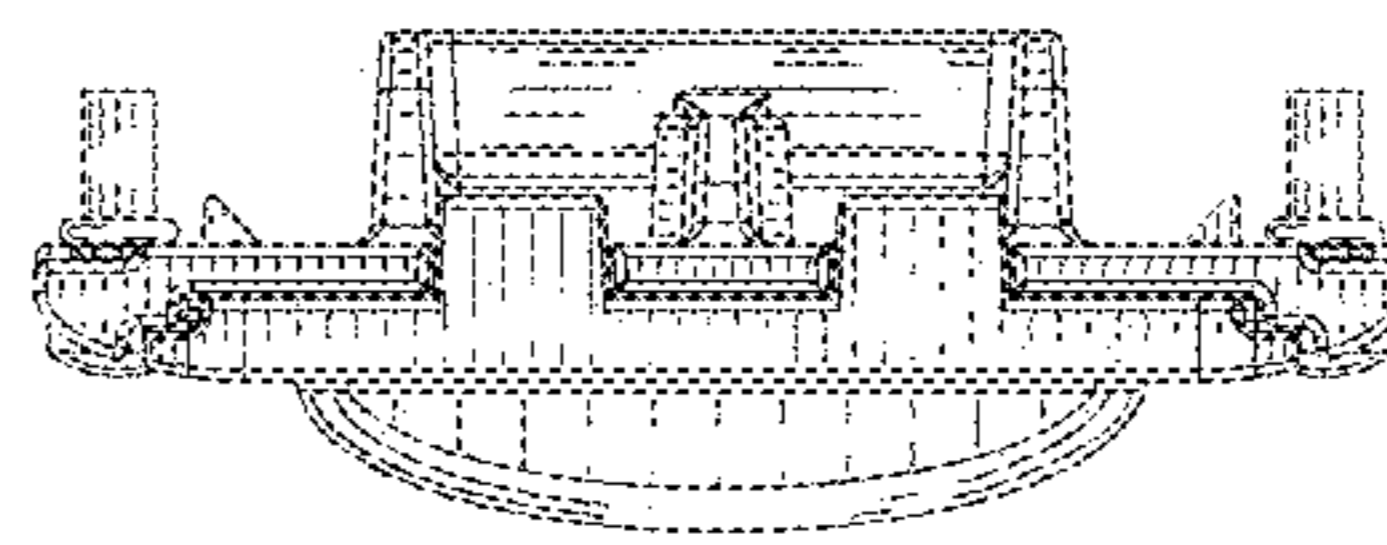


FIG. 5

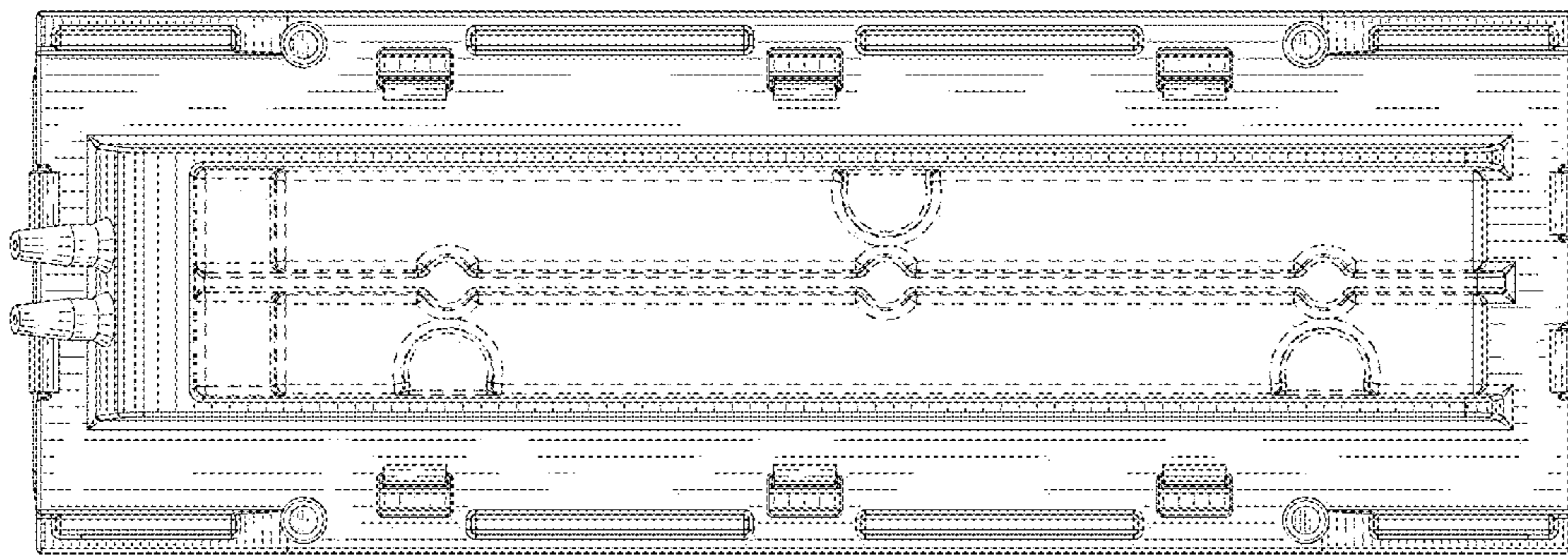


FIG. 6

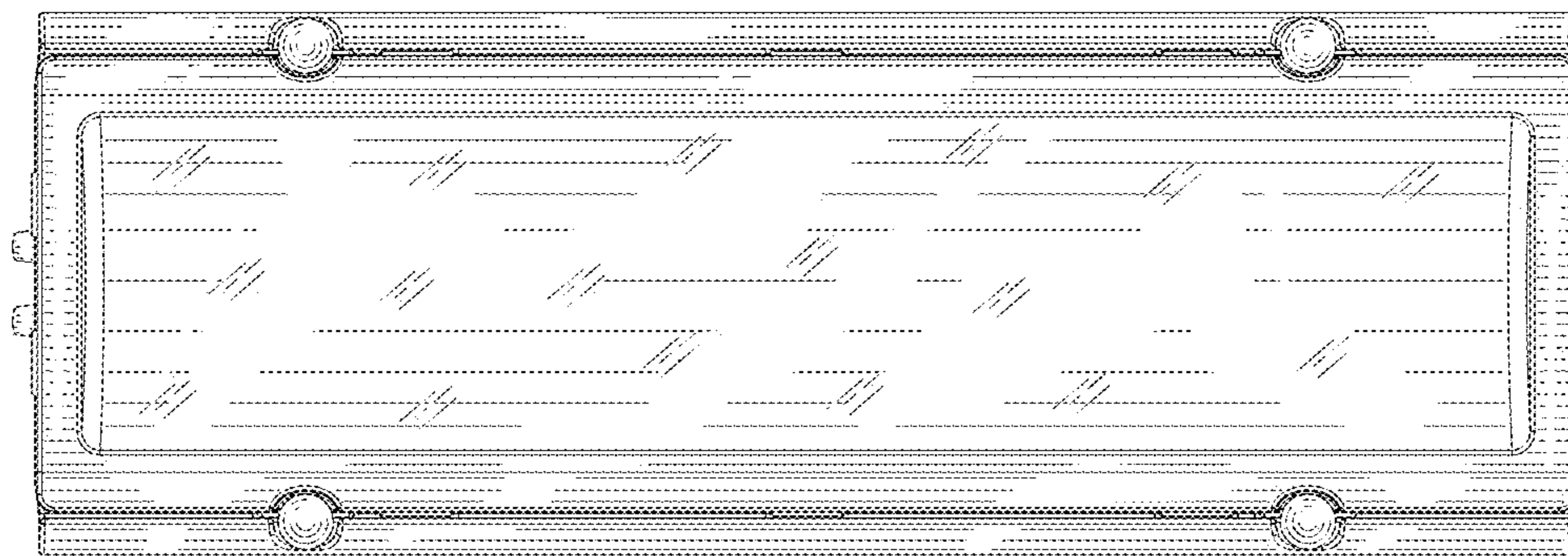


FIG. 7