



US00D685941S

(12) **United States Design Patent**
Boyer et al.

(10) **Patent No.:** **US D685,941 S**

(45) **Date of Patent:** **** Jul. 9, 2013**

(54) **LIGHTING FIXTURE**

(71) Applicant: **LSI Industries, Inc.**, Cincinnati, OH (US)

(72) Inventors: **John D. Boyer**, Lebanon, OH (US); **James G. Vanden Eynden**, Indian Springs, OH (US); **Larry Akers**, Clarksville, OH (US); **Vincent Charles Anthony DiCola**, Cincinnati, OH (US)

(73) Assignee: **LSI Industries, Inc.**, Cincinnati, OH (US)

(**) Term: **14 Years**

(21) Appl. No.: **29/438,248**

(22) Filed: **Nov. 28, 2012**

Related U.S. Application Data

(62) Division of application No. 29/420,121, filed on May 4, 2012, now Pat. No. Des. 675,361.

(51) **LOC (9) Cl.** **26-05**

(52) **U.S. Cl.**
USPC **D26/67**

(58) **Field of Classification Search**
USPC D26/61, 63, 65, 67-72, 84, 87, 89,
D26/92, 118, 128, 129; 362/147,
362/249.01-249.06, 294, 373, 431, 432
See application file for complete search history.

(56) **References Cited**

U.S. PATENT DOCUMENTS

D47,153 S 3/1915 Franks
D48,393 S 1/1916 Peters
D74,818 S 10/1927 Biller

D127,895 S 3/1941 Ohm
D174,804 S 5/1955 Frank et al.
D174,837 S 5/1955 Schreckengust
D191,534 S 10/1961 Curtin et al.
D200,591 S 3/1965 Odle
D213,393 S 2/1969 Clark et al.
D251,630 S 4/1979 Larson
D285,010 S 8/1986 Mullins
D321,406 S 11/1991 Schlesselman
D343,022 S 1/1994 Solberg et al.
D385,053 S 10/1997 Haugaard et al.
D391,659 S 3/1998 Gaskins et al.

(Continued)

Primary Examiner — Clare E Heflin

(74) *Attorney, Agent, or Firm* — McDermott Will & Emery LLP

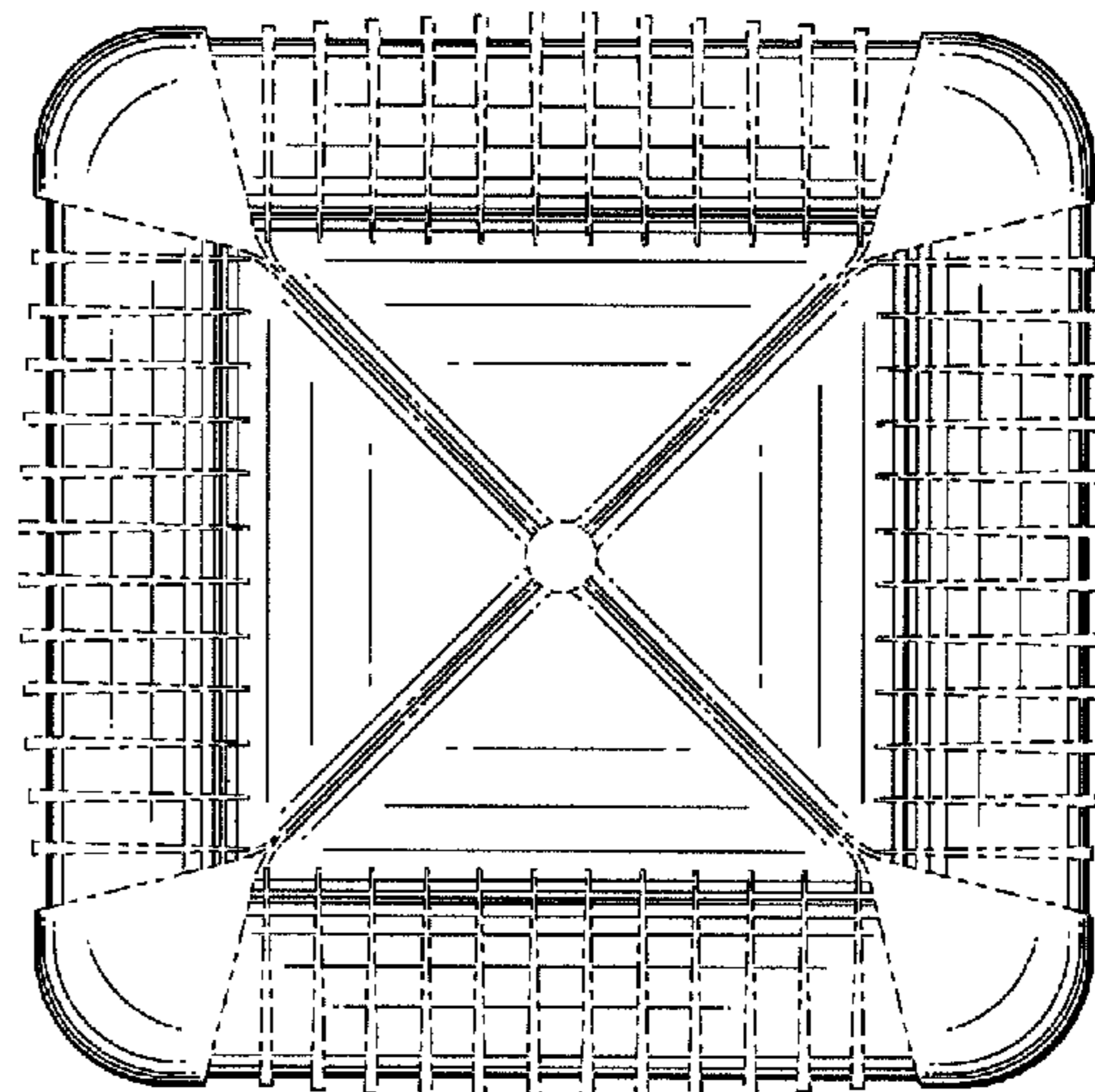
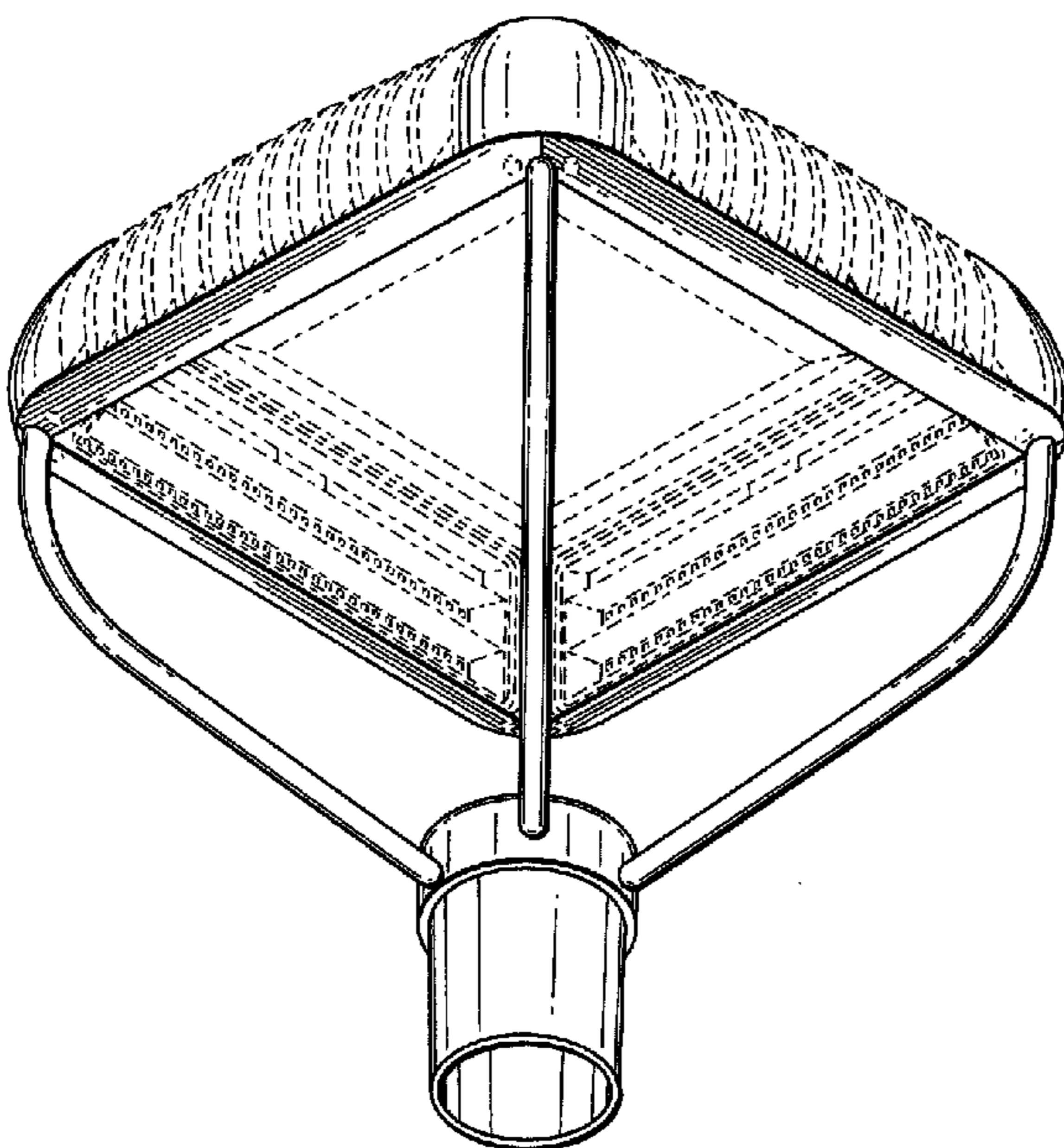
(57) **CLAIM**

The ornamental design for a lighting fixture, as shown and described.

DESCRIPTION

FIG. 1 is a perspective view of the design of the present disclosure;
FIG. 2 is a front side view of the design depicted in FIG. 1;
FIG. 3 is a rear side view of the design depicted in FIG. 1;
FIG. 4 is a left side view of the design depicted in FIG. 1;
FIG. 5 is a right side view of the design depicted in FIG. 1;
FIG. 6 is a top view of the design depicted in FIG. 1; and,
FIG. 7 is a bottom view of the design depicted in FIG. 1.
Those portions of the present invention which are presented in phantom illustrate the environment of the design only and form no part of the claimed design. Moreover, the shading presented in the accompanying drawings is provided merely to highlight the contour of the invention and is not intended to be illustrative of texture or gloss.

1 Claim, 7 Drawing Sheets



US D685,941 S

Page 2

U.S. PATENT DOCUMENTS

D417,026 S	11/1999	Taylor et al.	D641,908 S	7/2011	McKee	
D437,958 S	2/2001	Doron et al.	8,029,151 B2	10/2011	Butler	
D442,313 S	5/2001	Wojtkowiak et al.	D652,978 S	1/2012	Boissevain et al.	
7,152,997 B1	12/2006	Kovacik et al.	D664,704 S	7/2012	Boyer et al.	
D556,935 S	12/2007	Quioque et al.	D667,587 S	9/2012	Wilcox et al.	
D578,694 S	10/2008	Zeng et al.	D668,370 S	10/2012	Guercio et al.	
D599,497 S	9/2009	Liu	D668,375 S	10/2012	Daniels	
D607,593 S	1/2010	Yoo	D675,361 S *	1/2013	Boyer et al.	D26/67
D617,033 S	6/2010	Gaskins	D678,575 S *	3/2013	Chen	D26/67
D621,994 S	8/2010	Espiau et al.	D678,576 S *	3/2013	Chen	D26/67
D630,790 S	1/2011	Josefowicz et al.				

* cited by examiner

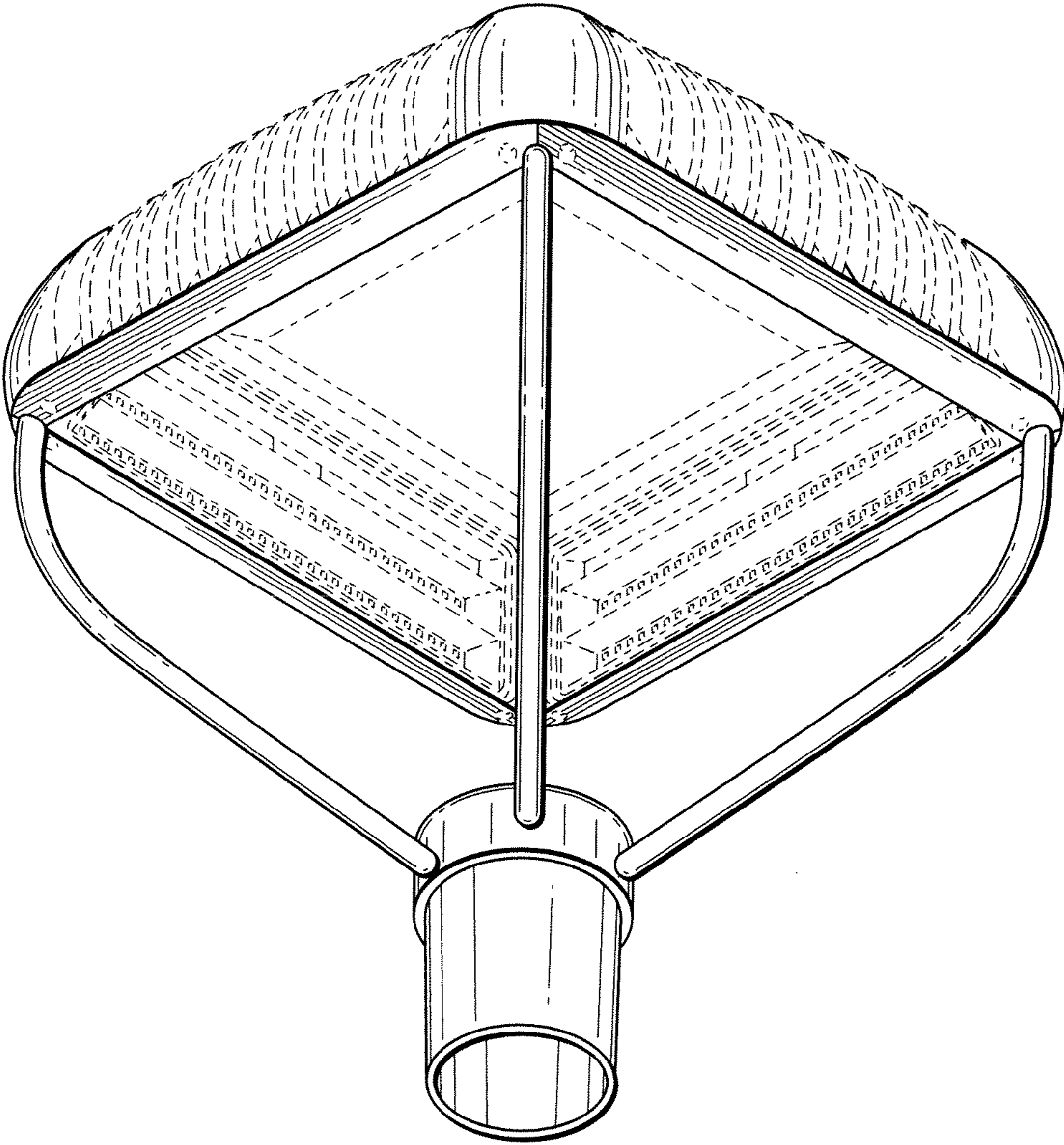


FIG. 1

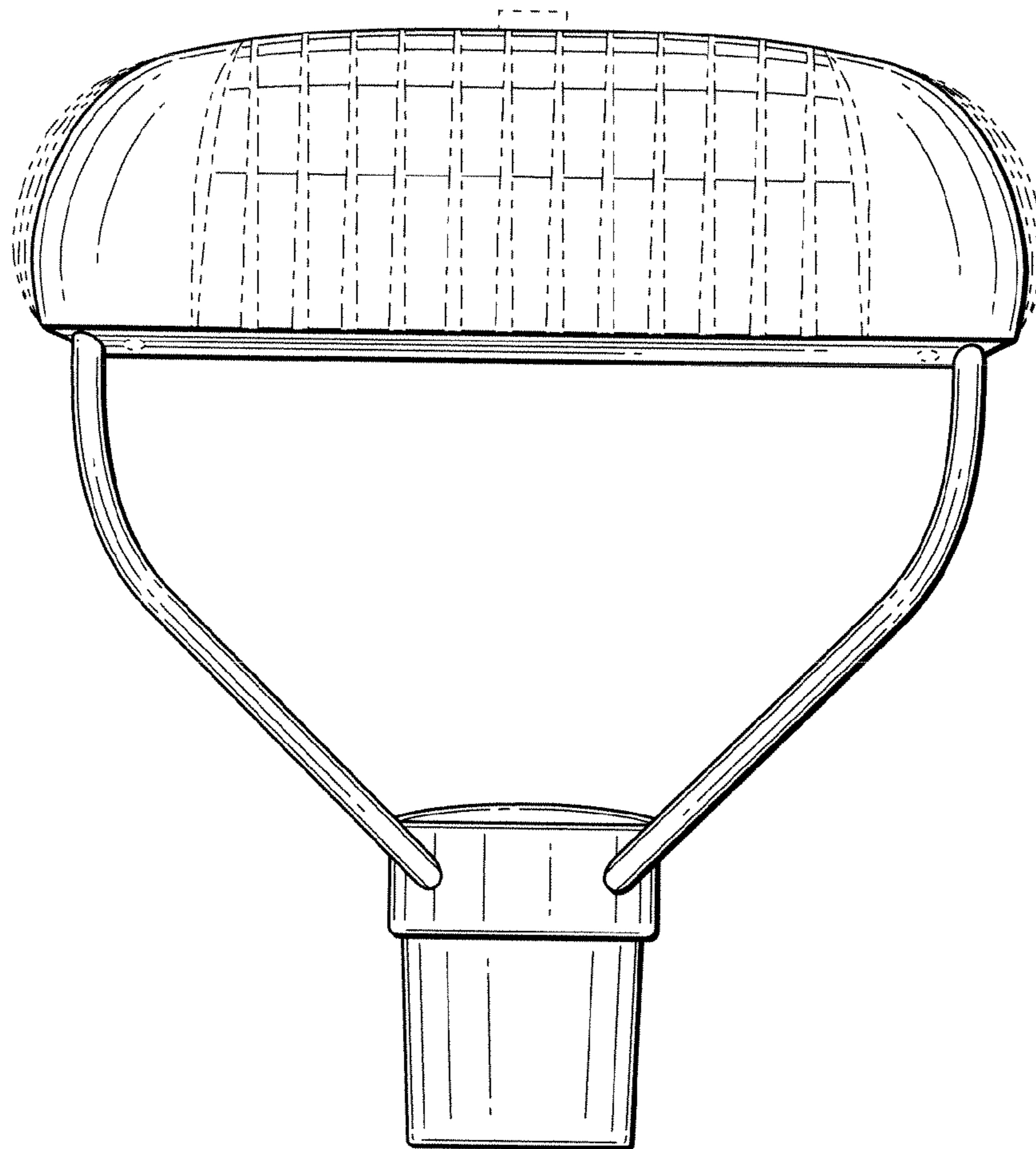


FIG. 2

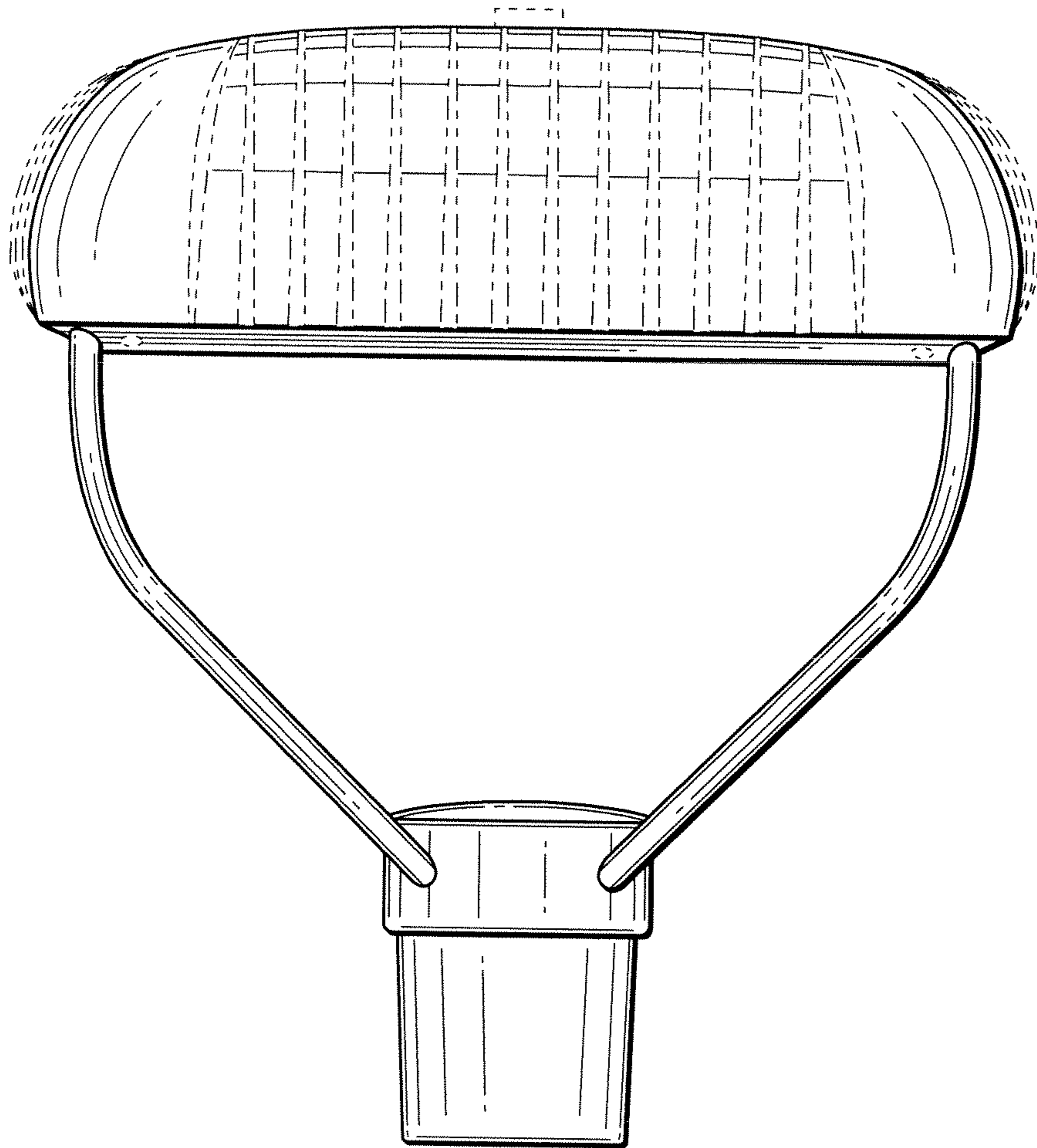


FIG. 3

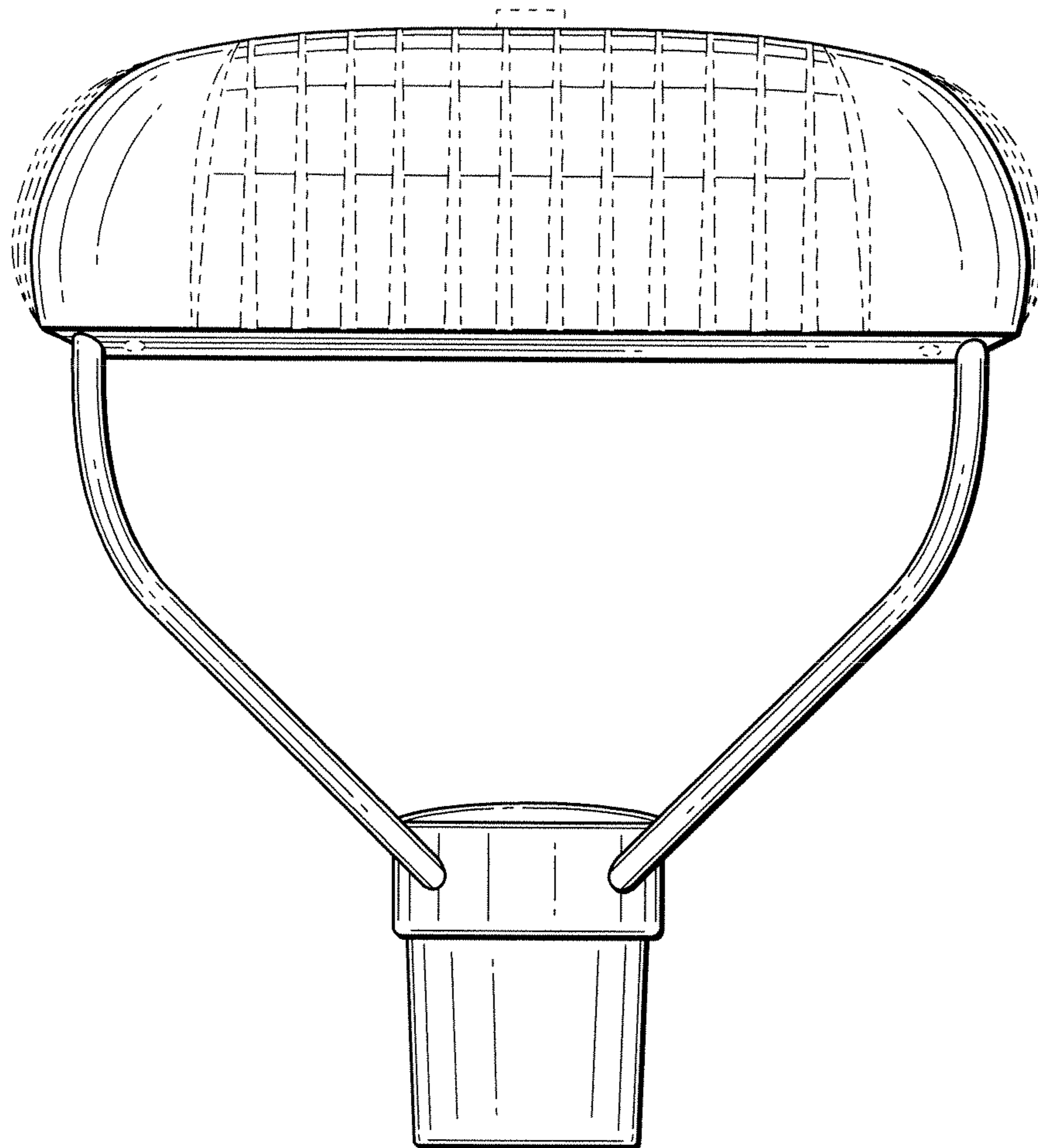


FIG. 4

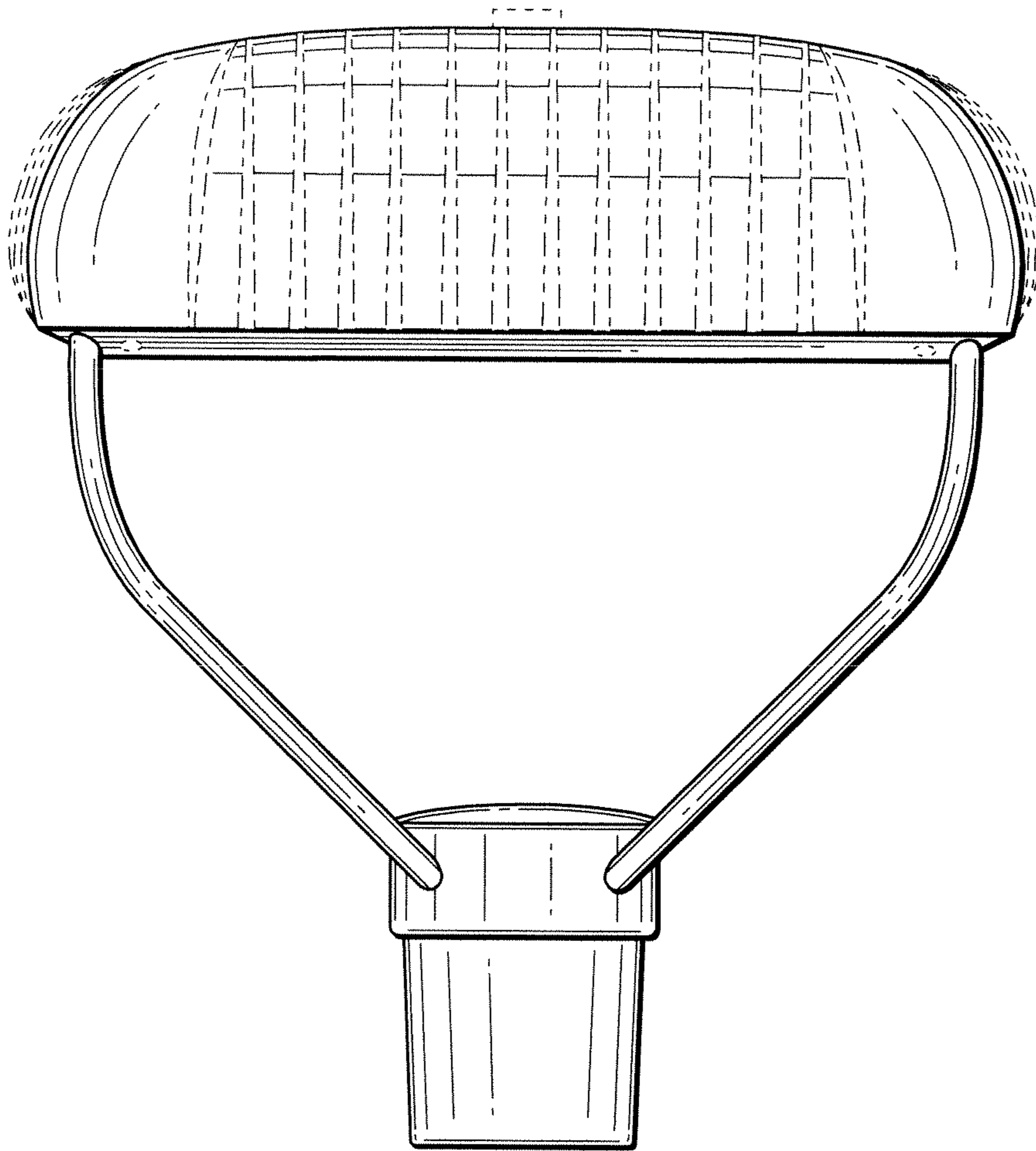


FIG. 5

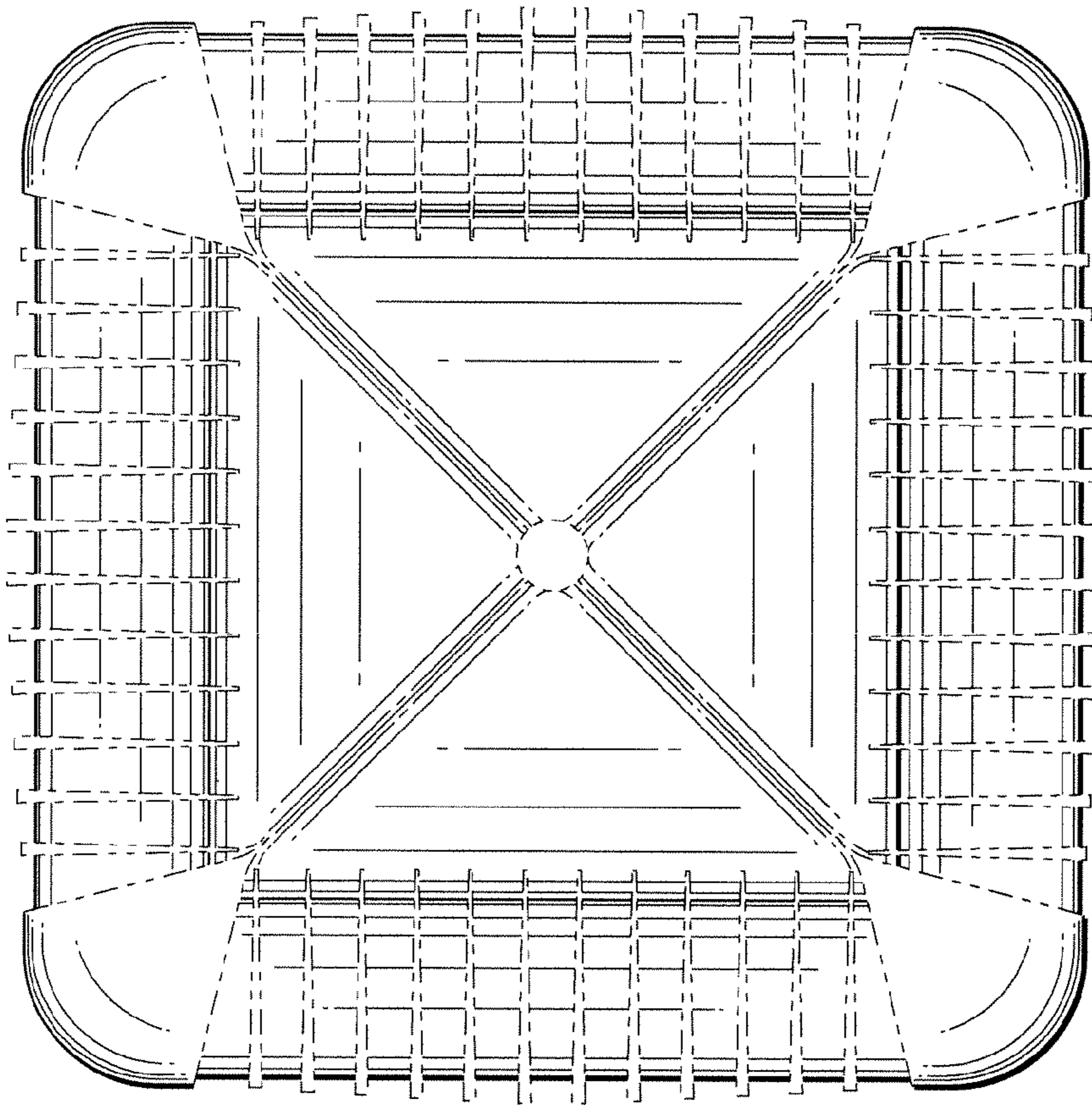


FIG. 6

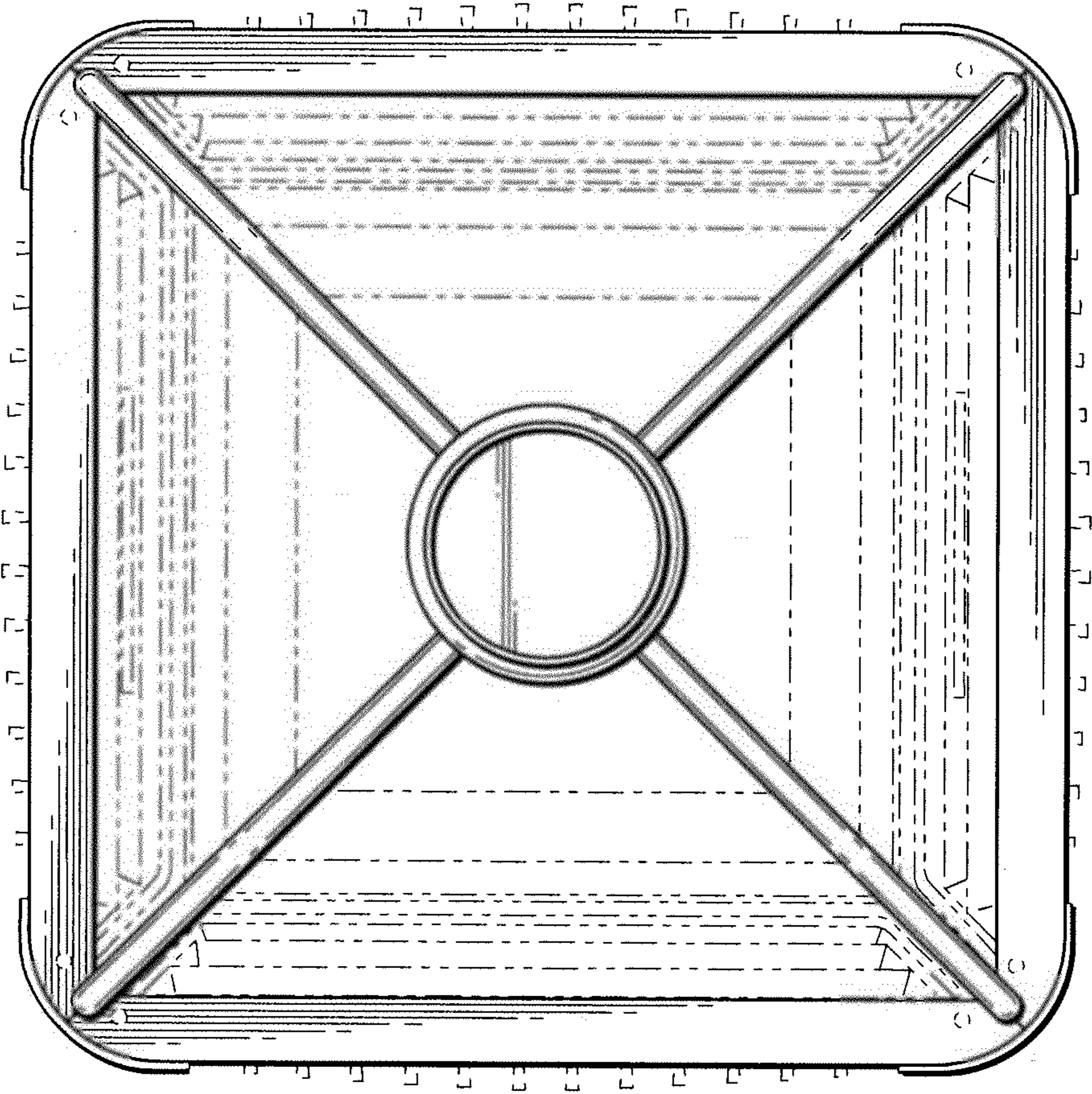


FIG. 7