



US00D685940S

(12) **United States Design Patent**  
**Lee**

(10) **Patent No.:** **US D685,940 S**  
(45) **Date of Patent:** **\*\* Jul. 9, 2013**

(54) **FLASHLIGHT**

(76) Inventor: **Wen-Sung Lee**, Taichung (TW)

(\*\*) Term: **14 Years**

(21) Appl. No.: **29/411,017**

(22) Filed: **Jan. 16, 2012**

(51) **LOC (9) Cl.** ..... **26-02**

(52) **U.S. Cl.**  
USPC ..... **D26/49**

(58) **Field of Classification Search**  
USPC ..... D26/37, 38, 46, 49; 362/157, 158,  
362/184, 194-196, 202-208

See application file for complete search history.

(56) **References Cited**

**U.S. PATENT DOCUMENTS**

D195,053 S *	4/1963	Amoroso	.....	D26/49
D521,166 S *	5/2006	Yamamoto et al.	.....	D26/37
D564,116 S *	3/2008	Linardos	.....	D26/49
D572,395 S *	7/2008	Guelzow et al.	.....	D26/49
D586,025 S *	2/2009	Bonis	.....	D26/49
D596,772 S *	7/2009	Chang	.....	D26/49
D629,544 S *	12/2010	Deguglimo et al.	.....	D26/49
D629,940 S *	12/2010	Osterhout	.....	D26/49

D629,941 S *	12/2010	Robinson et al.	.....	D26/49
D641,901 S *	7/2011	Opolka	.....	D26/49
D645,592 S *	9/2011	Brands et al.	.....	D26/49
D647,232 S *	10/2011	Liu	.....	D26/49
D659,868 S *	5/2012	Deguglimo et al.	.....	D26/49

\* cited by examiner

*Primary Examiner* — Ian Simmons

*Assistant Examiner* — Carissa C Fitts

(57) **CLAIM**

The ornamental design for a flashlight, as shown and described.

**DESCRIPTION**

FIG. 1 is a perspective view of a flashlight showing my new design;

FIG. 2 is a front elevational view thereof;

FIG. 3 is a rear elevational view thereof;

FIG. 4 is a left side view thereof;

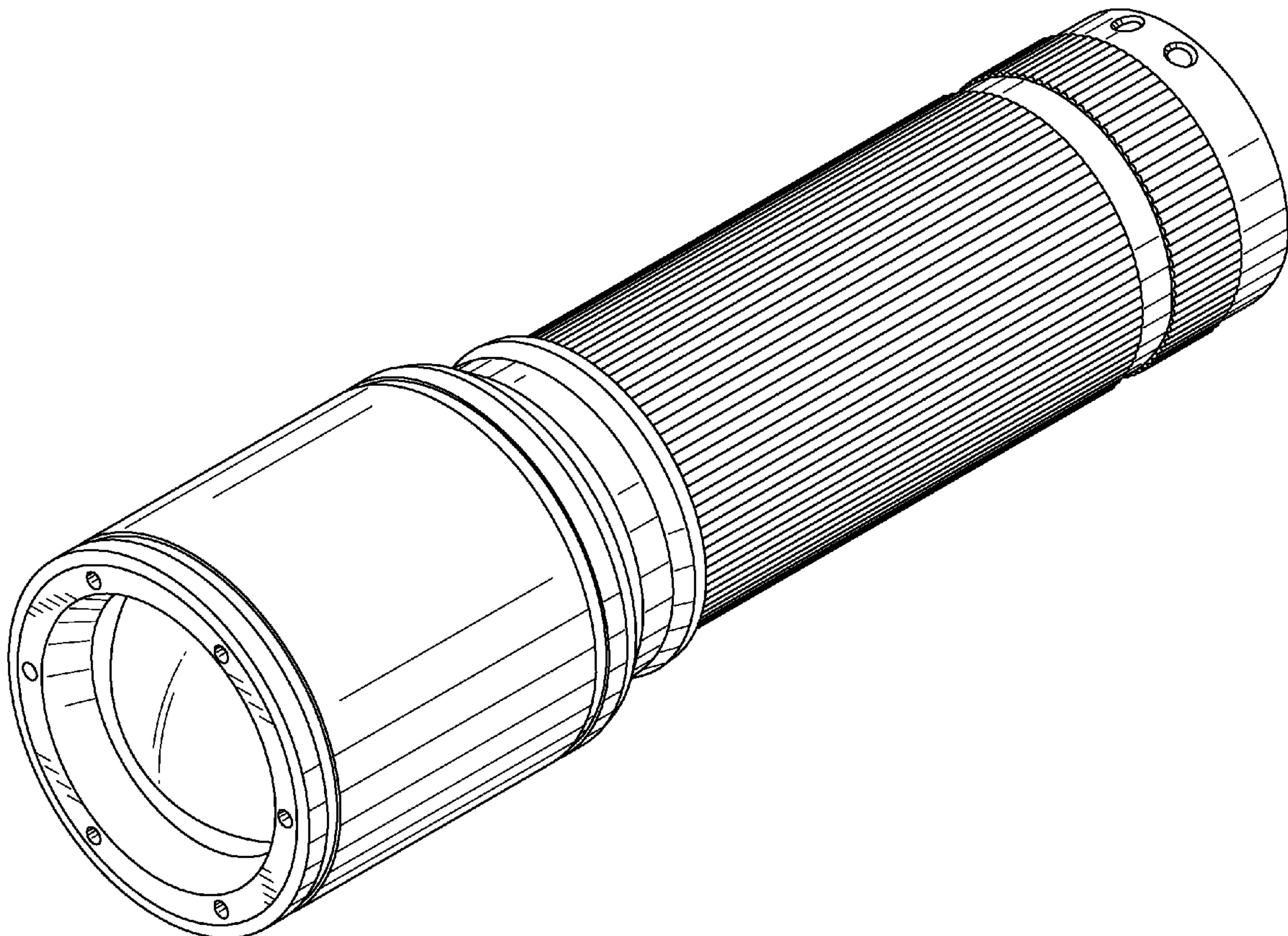
FIG. 5 is a right side view thereof;

FIG. 6 is a top plan view thereof; and,

FIG. 7 is a bottom plan view thereof.

The broken line showing is for environmental purposes only and forms no part of the claimed design.

**1 Claim, 6 Drawing Sheets**



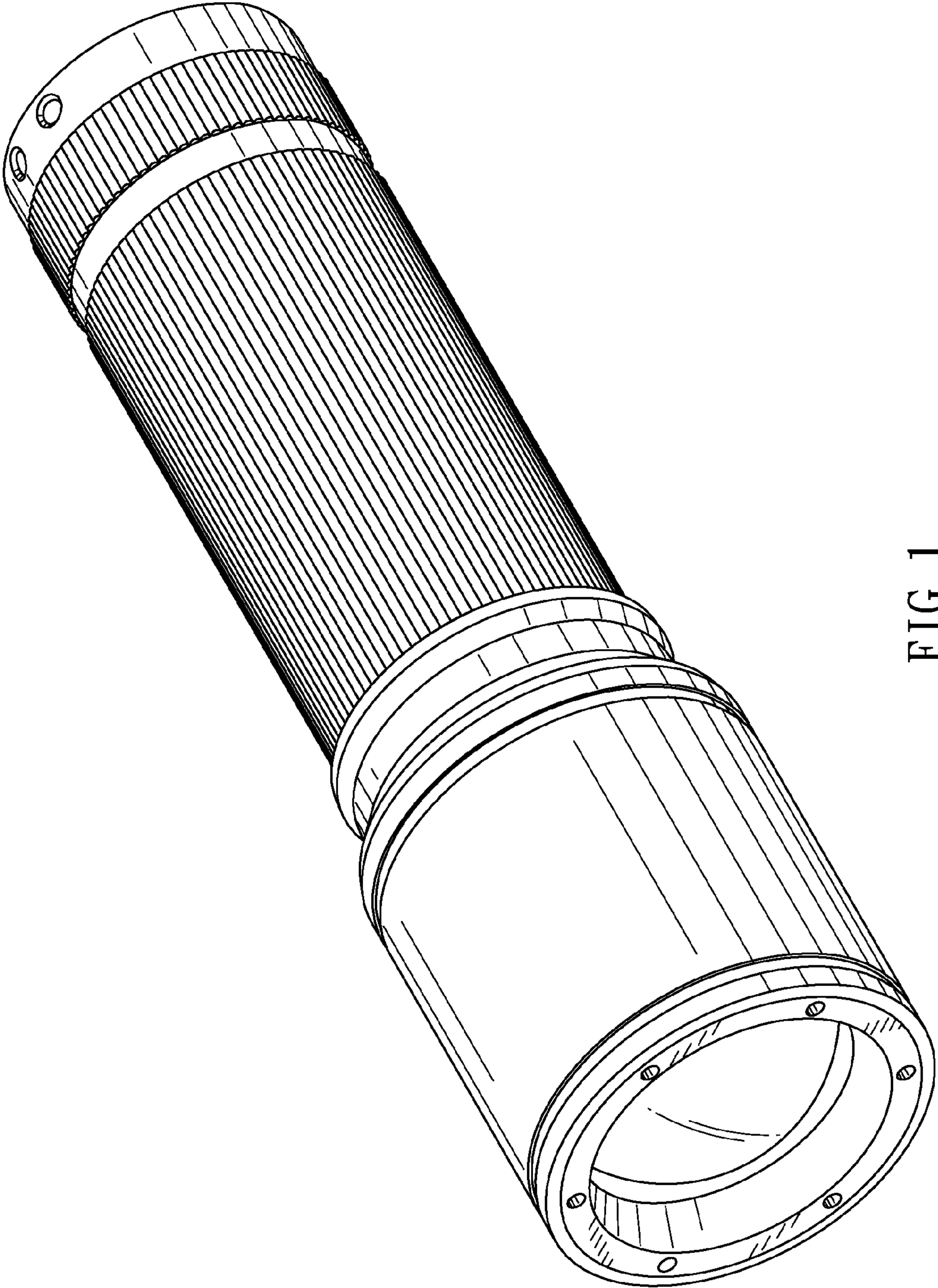


FIG. 1



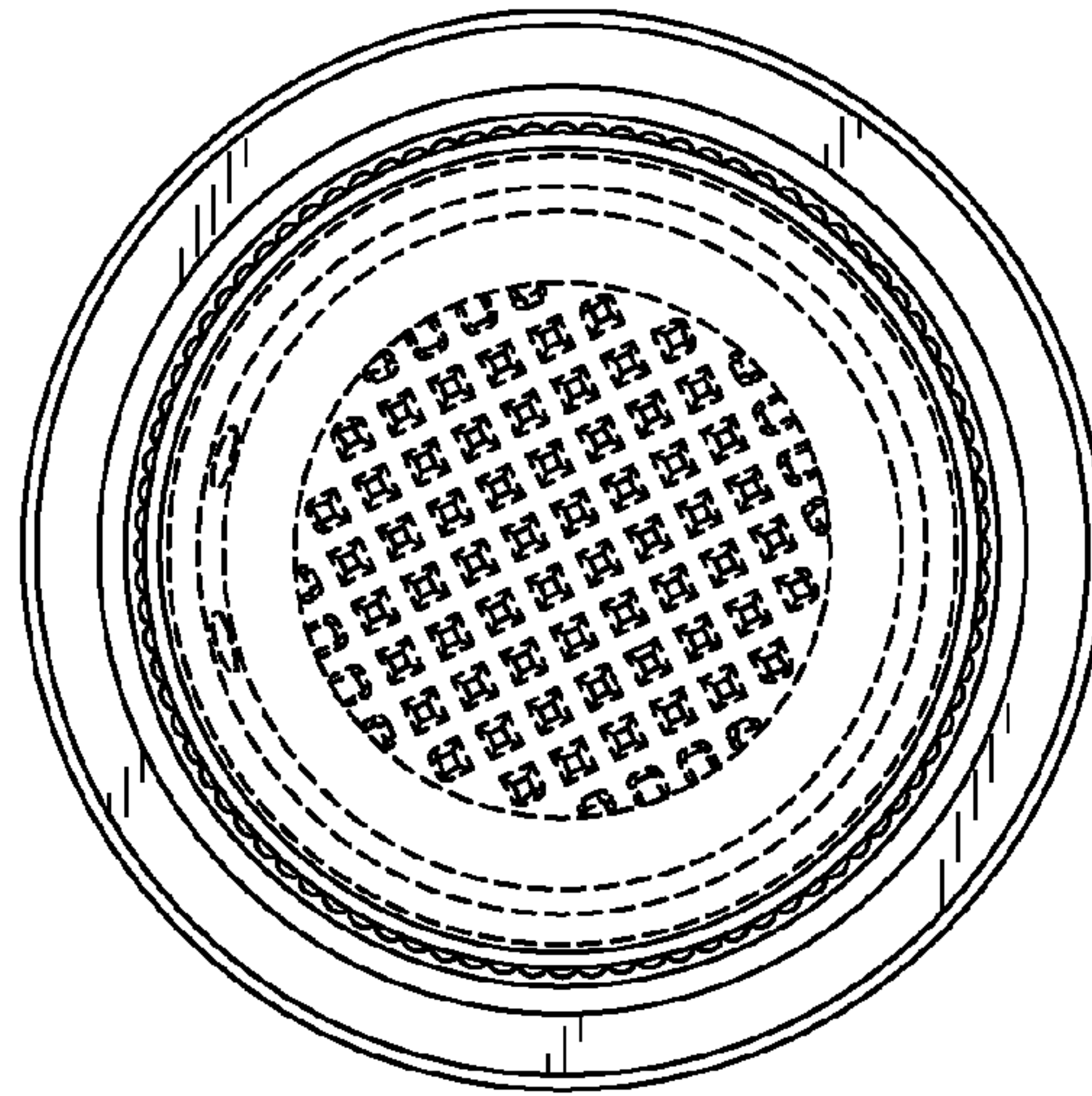


FIG. 3

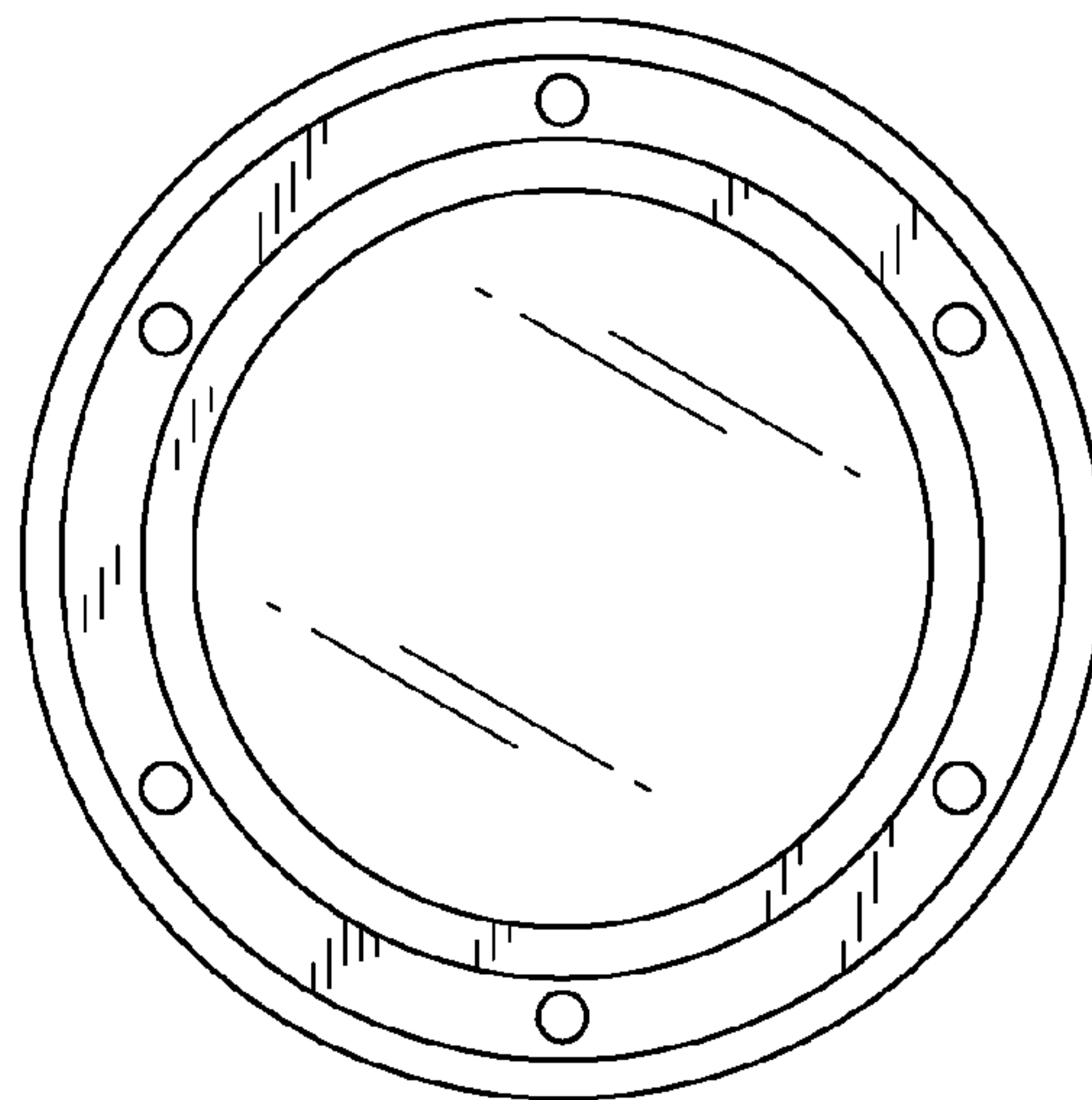


FIG. 2

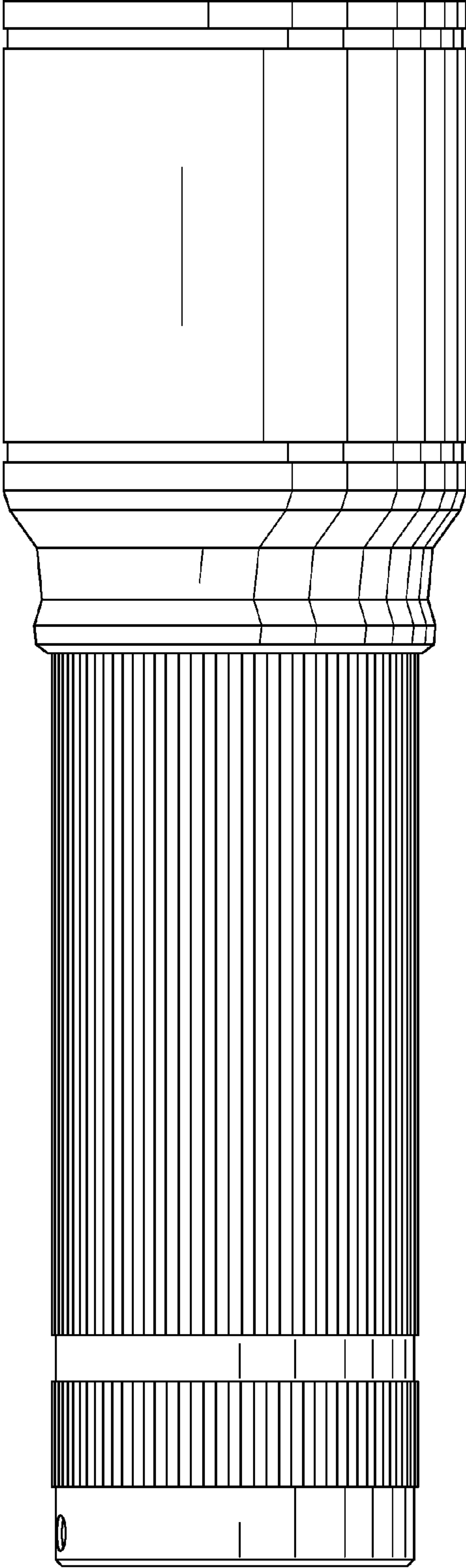


FIG. 4

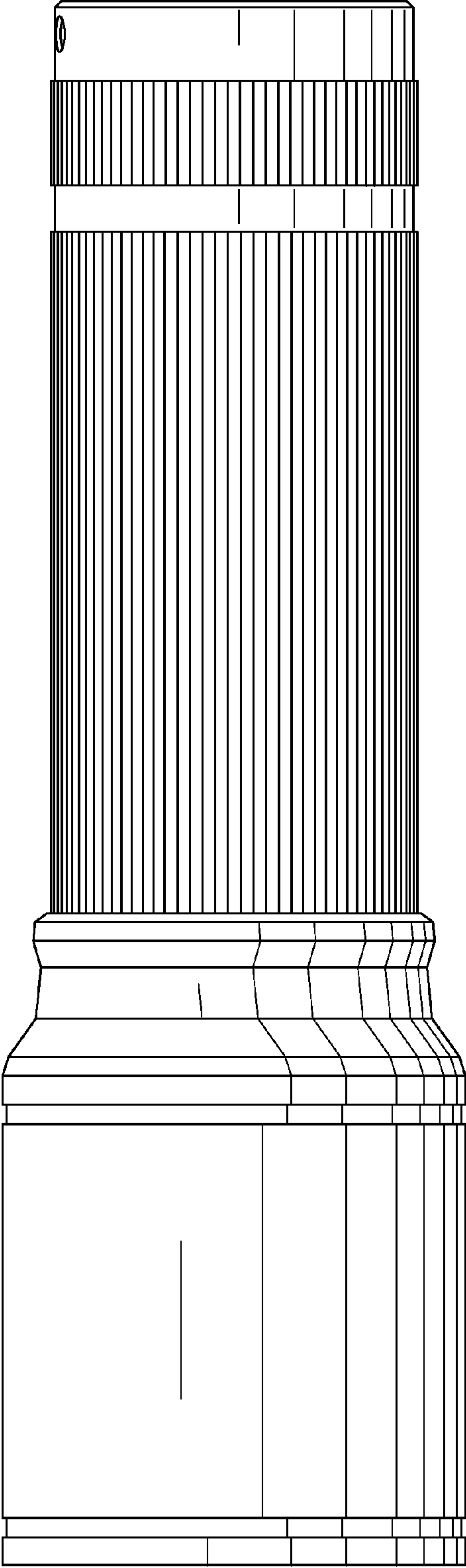


FIG. 5

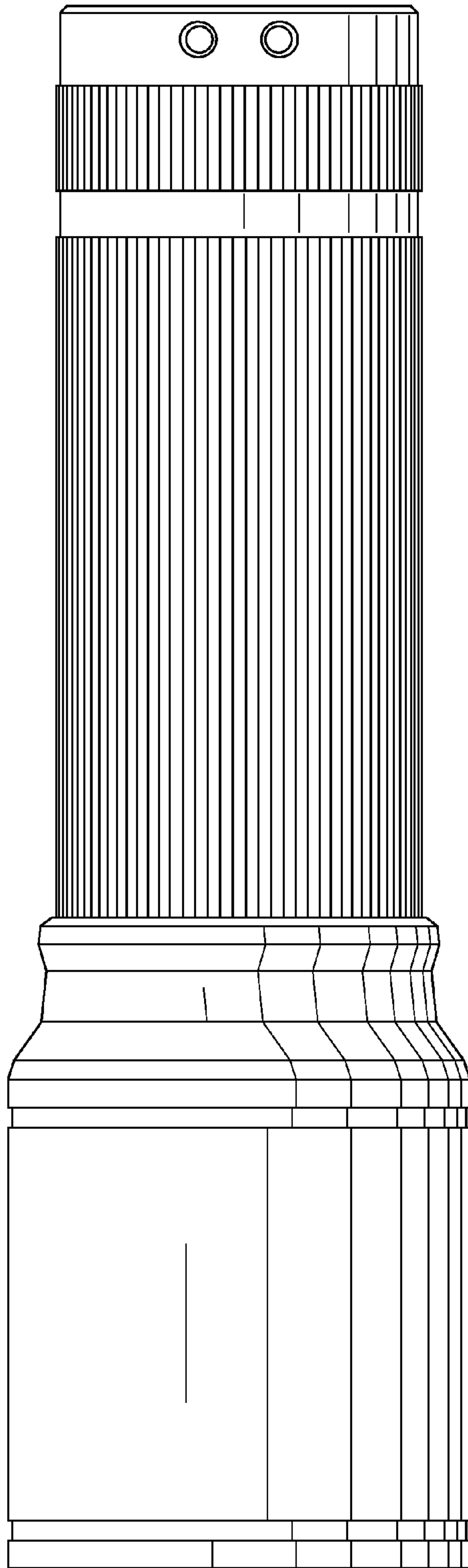


FIG. 6

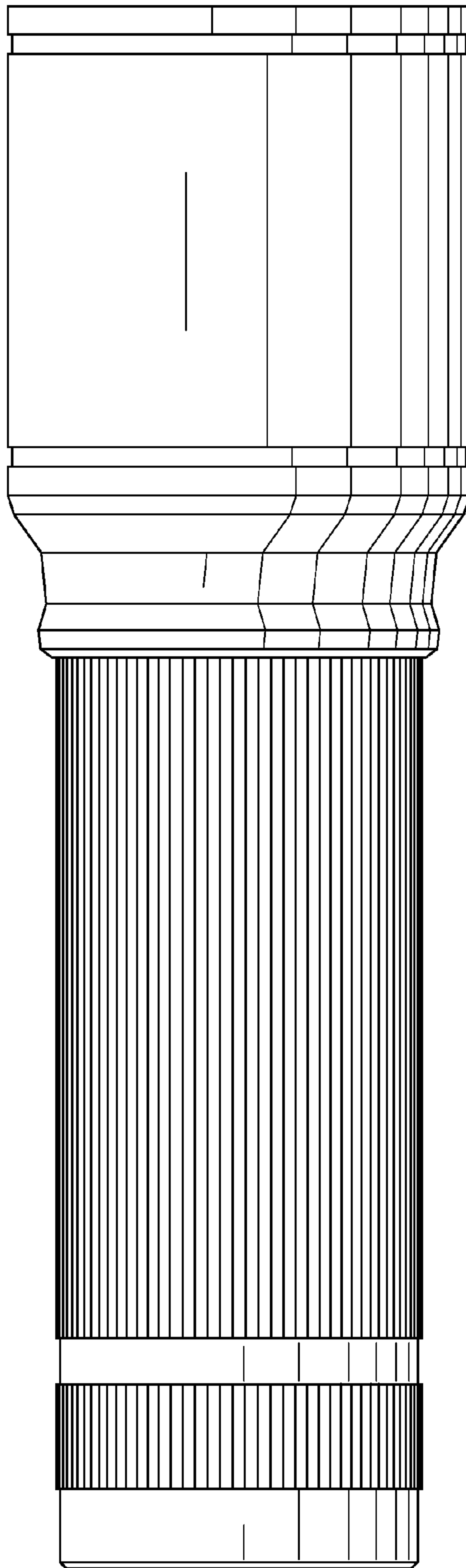


FIG. 7