



US00D685938S

(12) **United States Design Patent**
Baker et al.

(10) **Patent No.:** **US D685,938 S**
(45) **Date of Patent:** **** Jul. 9, 2013**

(54) **LIGHT-EMITTING DEVICE FOR HEADGEAR**

(71) Applicant: **Illumagear, Inc.**, Seattle, WA (US)

(72) Inventors: **John Maxwell Baker**, Seattle, WA (US);
Andrew Royal, Seattle, WA (US);
Raymond Walter Riley, Bainbridge
Island, WA (US); **Chad Austin**
Brinckerhoff, Issaquah, WA (US); **John**
R. Murkowski, Seattle, WA (US); **Trent**
Robert Wetherbee, Kennewick, WA
(US); **Alex Michael Diener**, Federal
Way, WA (US); **Kristin Marie Will**,
Seattle, WA (US)

(73) Assignee: **Illumagear, Inc.**, Seattle, WA (US)

(**) Term: **14 Years**

(21) Appl. No.: **29/446,866**

(22) Filed: **Feb. 27, 2013**

(51) **LOC (9) Cl.** **26-02**

(52) **U.S. Cl.**
USPC **D26/39**

(58) **Field of Classification Search**
USPC D26/37, 38, 39, 51, 40; 362/253,
362/105, 103, 106, 183, 184, 570, 249.12,
362/473; D10/111; D2/628, 894; D30/152
See application file for complete search history.

(56) **References Cited**

U.S. PATENT DOCUMENTS

3,665,451	A	5/1972	Keith	
3,676,664	A	7/1972	Corvetti	
D250,496	S *	12/1978	Odell et al.	D29/122
D298,476	S *	11/1988	Lonnstedt	D29/122
D300,868	S *	4/1989	Conforti	D26/39
4,862,331	A *	8/1989	Hanabusa	362/106
4,901,210	A *	2/1990	Hanabusa	362/106
4,970,631	A *	11/1990	Marshall	362/105

D318,338	S	7/1991	Mitchell	
5,408,393	A	4/1995	Becker	
5,469,342	A	11/1995	Chien	
5,559,680	A *	9/1996	Tabanera	362/106
D375,612	S	11/1996	Elder	
5,667,292	A *	9/1997	Sabalvaro, Jr.	362/106
5,758,947	A	6/1998	Glatt	
5,810,467	A	9/1998	Hurwitz	
5,836,673	A	11/1998	Lo	
D403,841	S	1/1999	Drone	
D412,761	S	8/1999	Oki et al.	
D424,239	S *	5/2000	Key	D28/18
6,082,867	A	7/2000	Chien	
D435,699	S *	12/2000	Mowry	D29/102
D441,886	S *	5/2001	Beck	D26/39

(Continued)

Primary Examiner — Ian Simmons

Assistant Examiner — Carissa C Fitts

(74) *Attorney, Agent, or Firm* — Seed IP Law Group PLLC

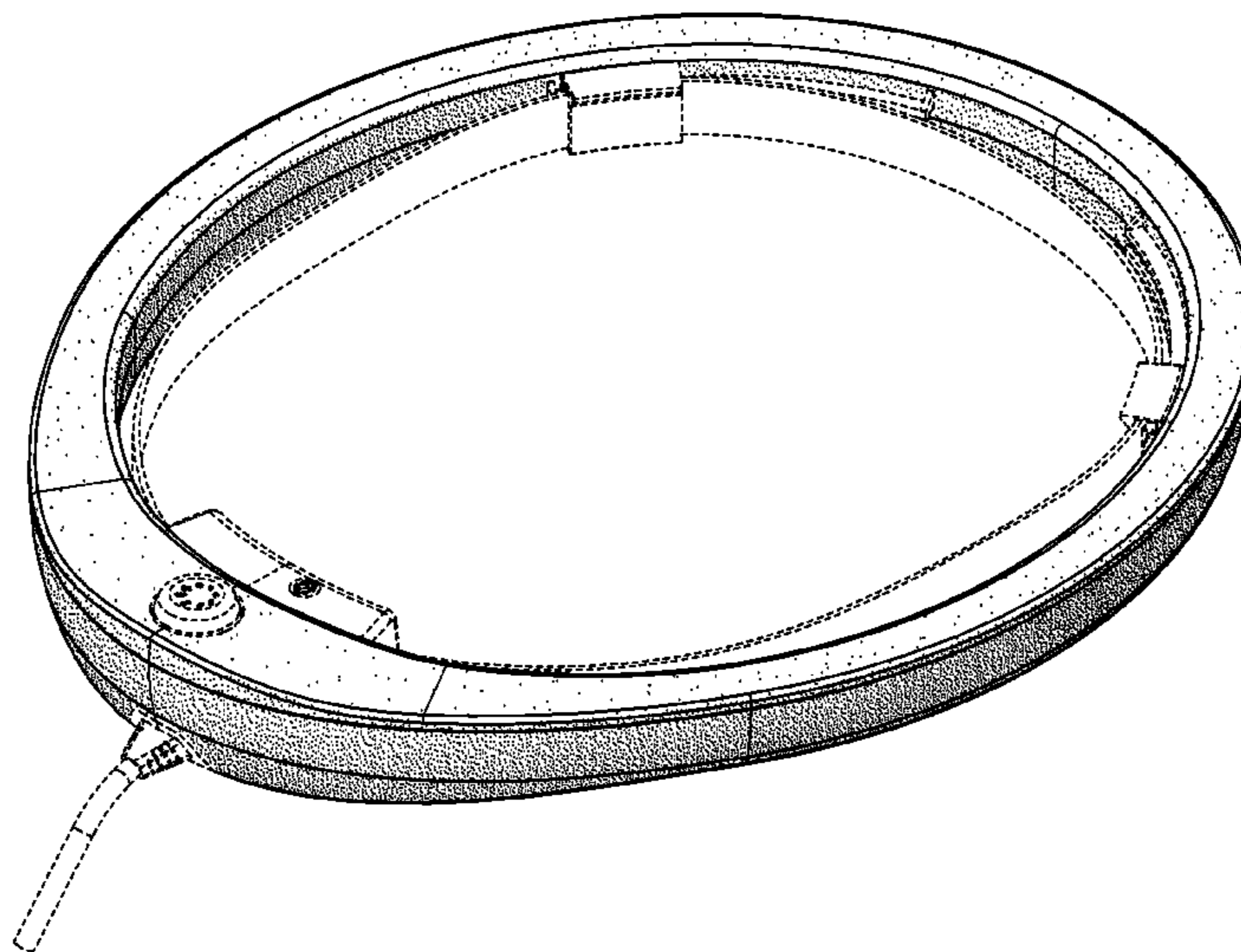
(57) **CLAIM**

The ornamental design for a light-emitting device for headgear, as shown and described.

DESCRIPTION

FIG. 1 is a top isometric view of a light-emitting device for headgear showing our new design.
FIG. 2 is a bottom isometric view thereof.
FIG. 3 is a top plan view thereof.
FIG. 4 is a bottom plan view thereof.
FIG. 5 is a rear elevational view thereof.
FIG. 6 is a front elevational view thereof.
FIG. 7 is a right side elevational view thereof; and,
FIG. 8 is a left side elevational view thereof.
Stippling shown in the drawings is intended to represent the approximate three-dimensional contour of the design, and is not intended to indicate surface decoration. The broken lines in the figures are for illustrative purposes only and form no part of the claimed design.

1 Claim, 6 Drawing Sheets



US D685,938 S

Page 2

U.S. PATENT DOCUMENTS

6,244,721	B1	6/2001	Rodriguez et al.	
6,619,831	B2	9/2003	Kanesaka	
D500,178	S *	12/2004	Fournier et al.	D29/122
6,877,875	B2	4/2005	Yu et al.	
6,982,633	B2	1/2006	Burdick	
D529,214	S *	9/2006	Sherring	D26/39
7,121,676	B1 *	10/2006	Kutnyak	362/105
7,210,810	B1	5/2007	Iversen et	
7,304,442	B2	12/2007	Colwell	
7,311,413	B1	12/2007	Barnes	
D571,942	S *	6/2008	Christianson	D26/39
D583,971	S	12/2008	Castellucci et al.	
D584,010	S *	12/2008	Fernandes et al.	D29/122
7,465,078	B2	12/2008	Chang	
D590,530	S *	4/2009	Tsai	D26/51
7,620,279	B2	11/2009	Joseph	
D612,544	S *	3/2010	Brace et al.	D29/122
7,690,806	B2	4/2010	Feinbloom et al.	
7,695,156	B2	4/2010	Hurwitz	
8,025,432	B2	9/2011	Wainright	
8,070,307	B2	12/2011	Ho	
8,083,365	B2 *	12/2011	Cohen et al.	362/106
8,113,677	B2 *	2/2012	Carpenter	362/105
8,117,676	B1	2/2012	Cardoso	
8,157,402	B2 *	4/2012	Huss et al.	362/106
8,269,619	B2 *	9/2012	Lee	340/475
2003/0067769	A1	4/2003	Gilpin	
2007/0025100	A1	2/2007	Caruana	
2008/0310144	A1	12/2008	Wu	
2010/0128468	A1	5/2010	Ong et al.	
2010/0277096	A1	11/2010	Kim	
2012/0224356	A1	9/2012	Fischer et al.	

* cited by examiner

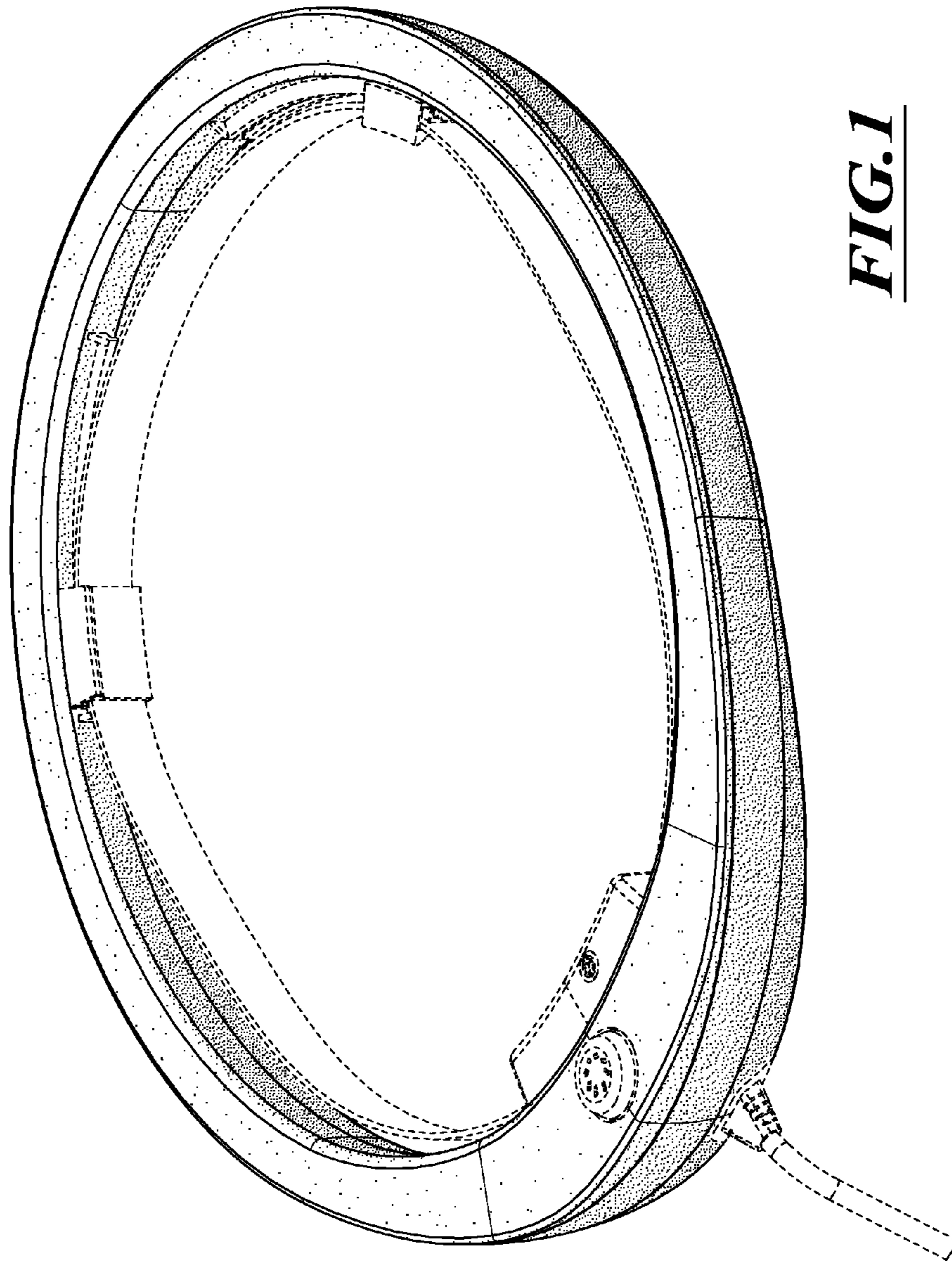


FIG. 1

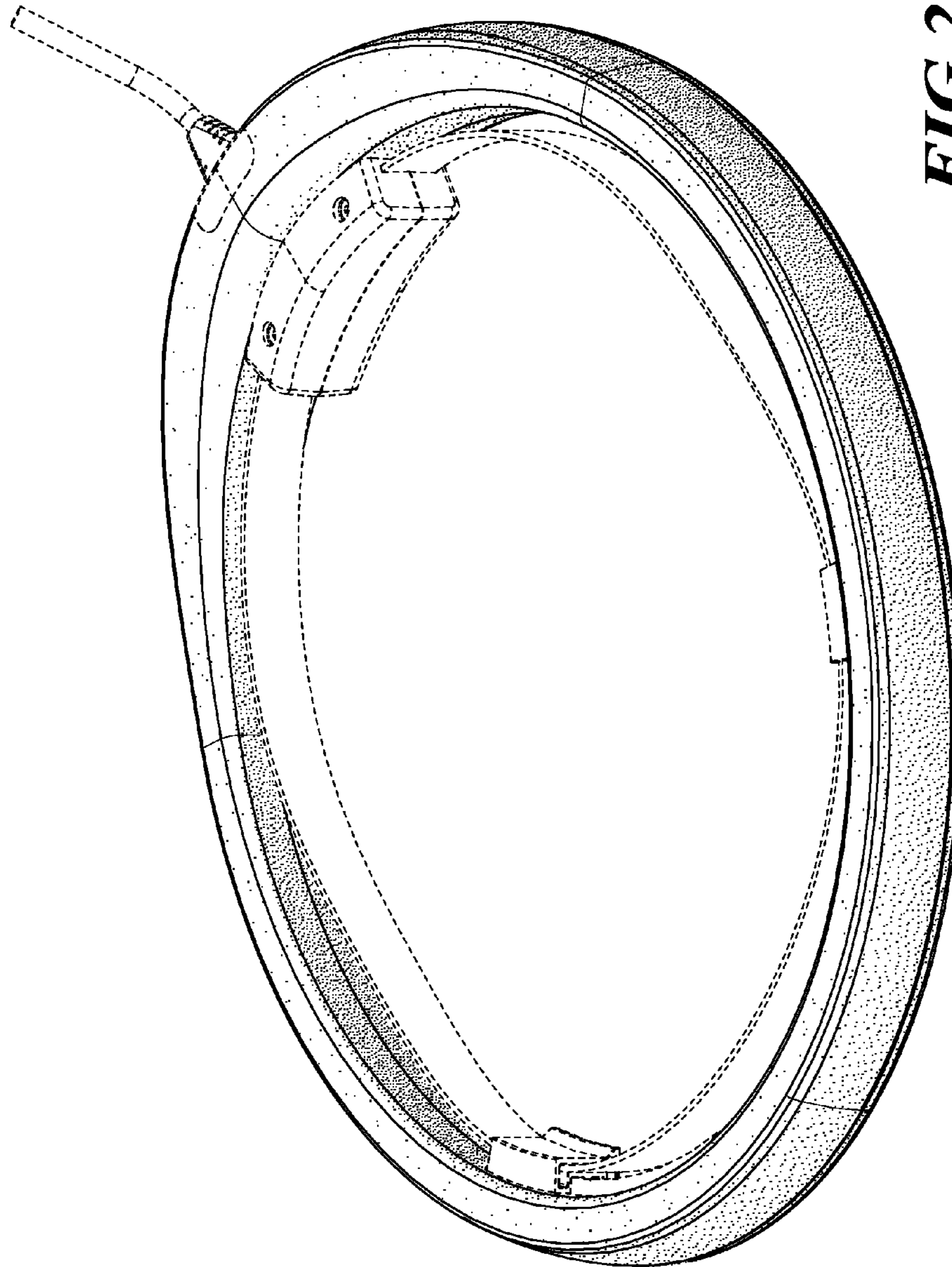


FIG. 2

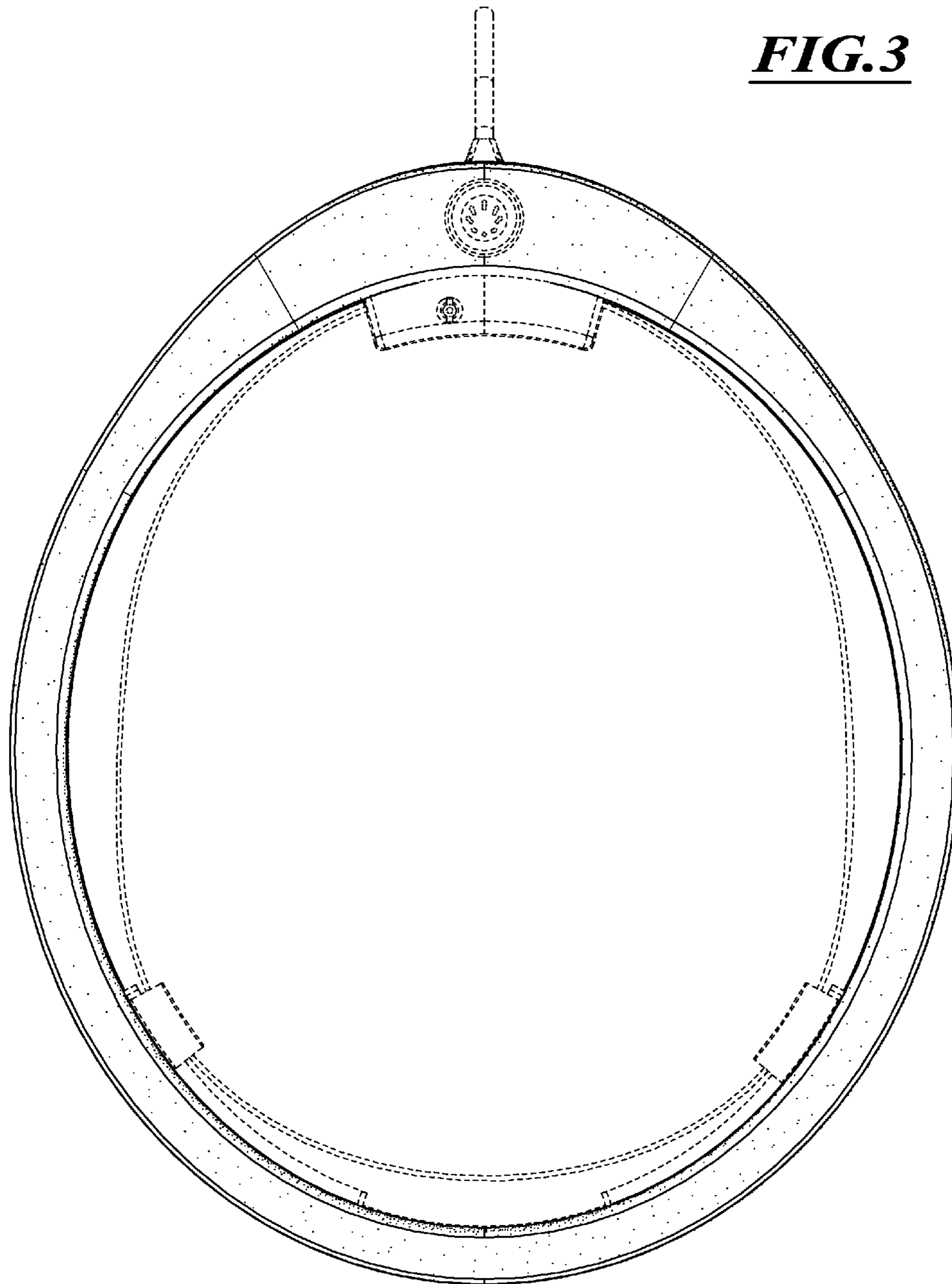


FIG. 3

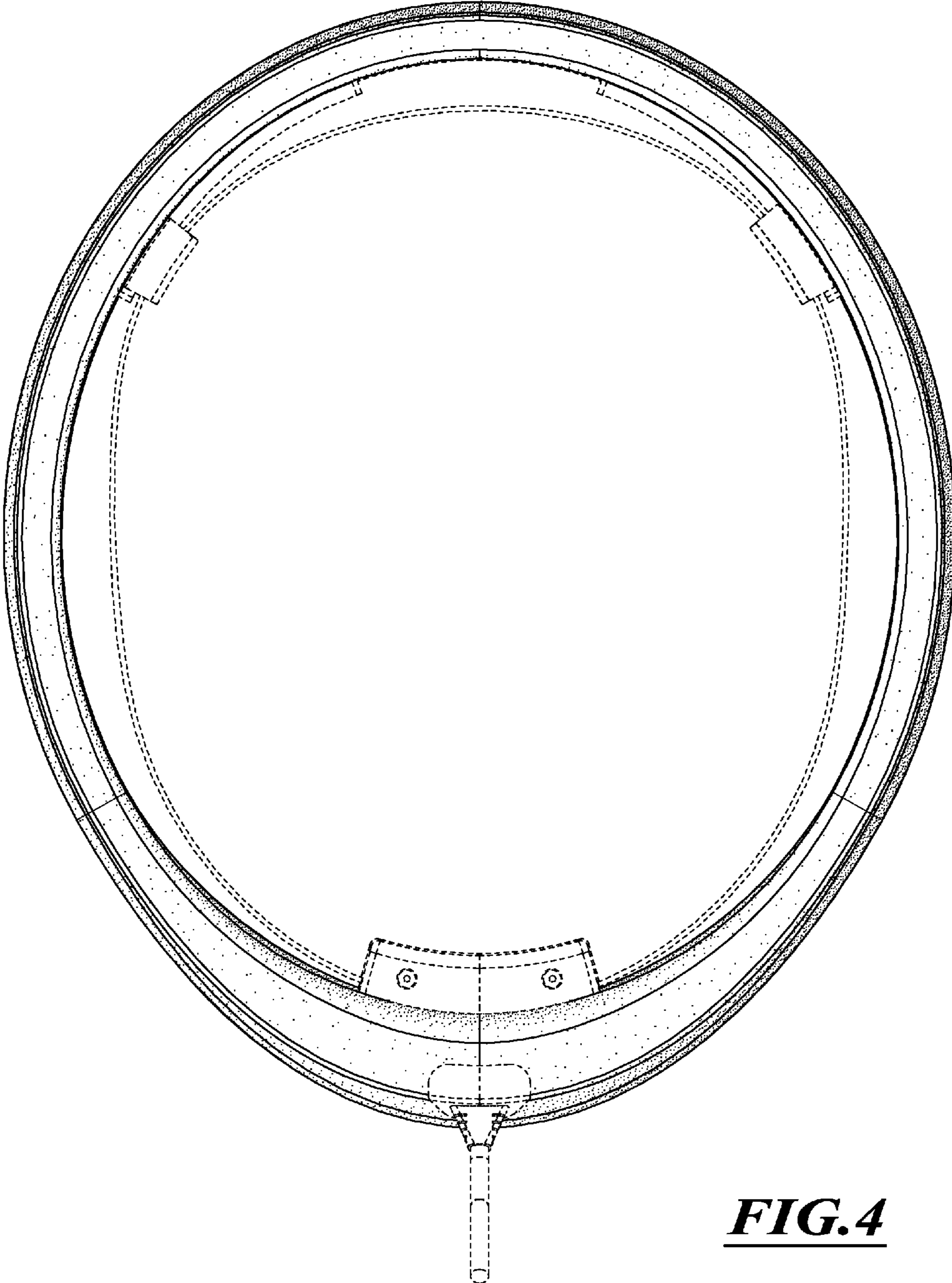


FIG.4

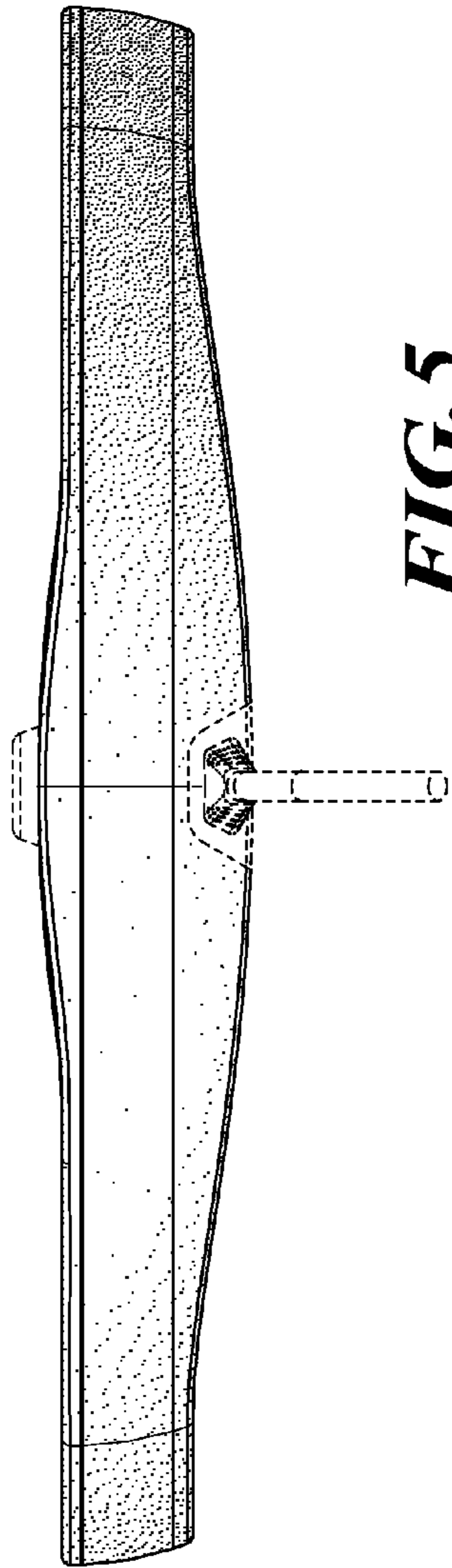


FIG. 5

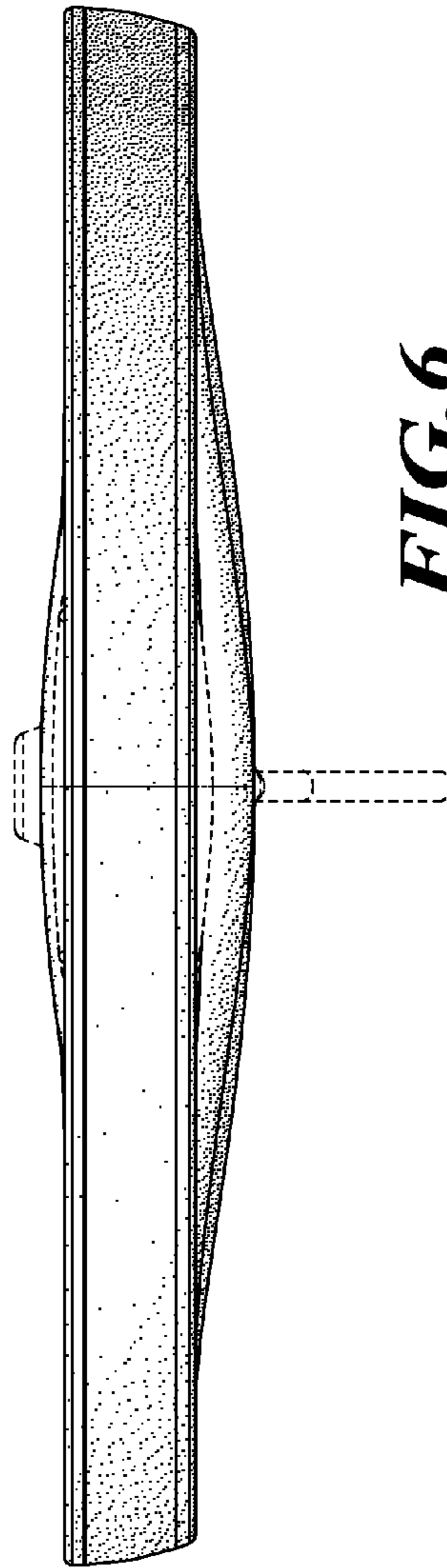


FIG. 6

