



US00D685934S

(12) **United States Design Patent**
Welch

(10) **Patent No.:** **US D685,934 S**

(45) **Date of Patent:** **** *Jul. 9, 2013**

(54) **LAMP**

(76) Inventor: **James D. Welch**, Omaha, NE (US)

(*) Notice: This patent is subject to a terminal disclaimer.

(**) Term: **14 Years**

(21) Appl. No.: **29/395,687**

(22) Filed: **Mar. 14, 2012**

Related U.S. Application Data

(63) Continuation-in-part of application No. 29/373,040, filed on Feb. 23, 2011, and a continuation-in-part of application No. 29/373,039, filed on Feb. 23, 2011, and a continuation-in-part of application No. 29/373,041, filed on Feb. 23, 2011, and a continuation-in-part of application No. 29/373,042, filed on Feb. 23, 2011, and a continuation-in-part of application No. 29/373,043, filed on Feb. 23, 2011.

(51) **LOC (9) Cl.** **26-05**

(52) **U.S. Cl.**
USPC **D26/26**

(58) **Field of Classification Search**
USPC D26/26, 125, 118, 24, 72, 85, 37, D26/31; D23/366, 367, 369; 362/640, 641, 362/642, 643, 644, 651, 657, 658, 659, 559, 362/605, 565, 566, 121, 653, 654, 806, 812

See application file for complete search history.

(56) **References Cited**

U.S. PATENT DOCUMENTS

D259,514 S	6/1981	Welch	D26/26
D317,363 S *	6/1991	Welch	D26/26
D319,604 S *	9/1991	Peterson	D11/79
D375,808 S *	11/1996	Fang	D26/26
D376,214 S *	12/1996	Pinchuk	D26/26
D403,442 S *	12/1998	Joss	D26/26
D426,657 S *	6/2000	Joss	D26/26
D426,904 S *	6/2000	Simon	D26/26
D429,829 S *	8/2000	Doran	D26/26
D660,999 S *	5/2012	Welch	D26/26
D661,000 S *	5/2012	Welch	D26/26
D661,001 S *	5/2012	Welch	D26/26
D661,002 S *	5/2012	Welch	D26/26
D661,003 S *	5/2012	Welch	D26/26

OTHER PUBLICATIONS

Clarence Pearson Hornung, Handbook of Designs and Devices, 1946, plate 104, design 935.*

* cited by examiner

Primary Examiner — Angela J Lee

(74) *Attorney, Agent, or Firm* — James D. Welch

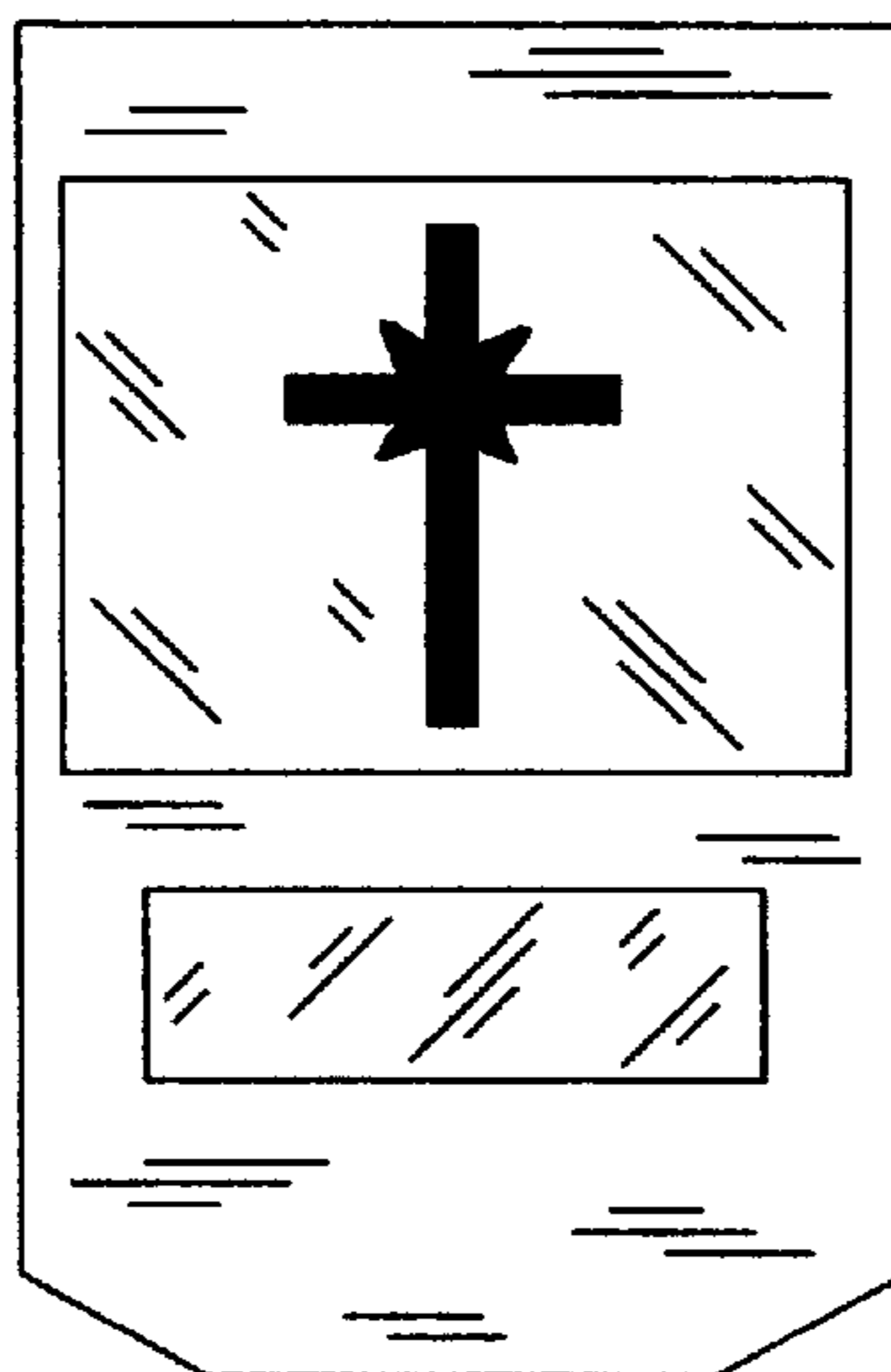
(57) **CLAIM**

The ornamental design for a lamp, as shown and described.

DESCRIPTION

FIG. 1 is a front elevational view of the lamp, showing my new design;
FIG. 2 is a left side view of the invention wherein the right side is a mirror image thereof;
FIG. 3 is a top plan view thereof;
FIG. 4 is a bottom plain view thereof; and,
FIG. 5 is a rear elevational view thereof.

1 Claim, 1 Drawing Sheet



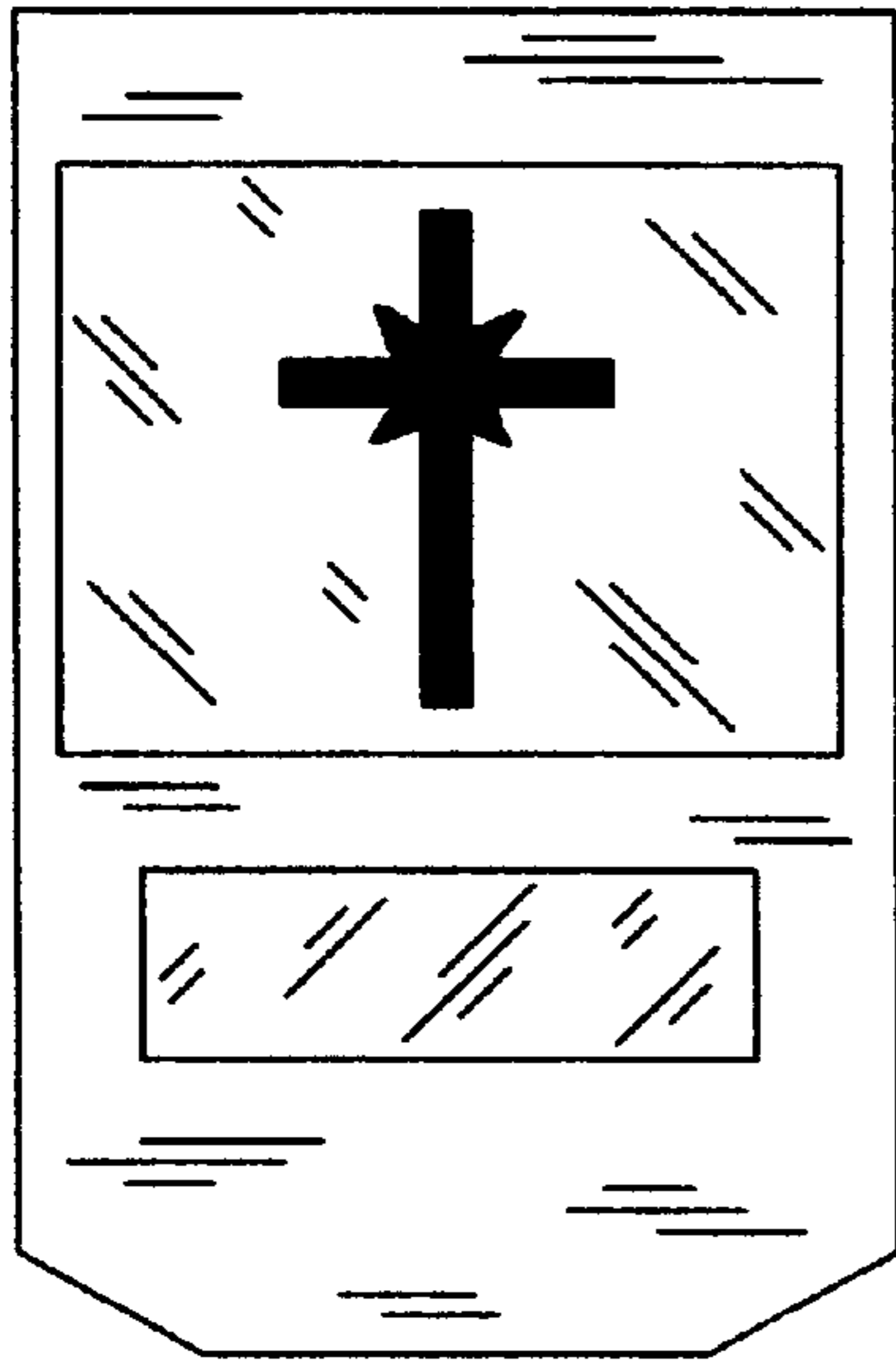


FIG. 1

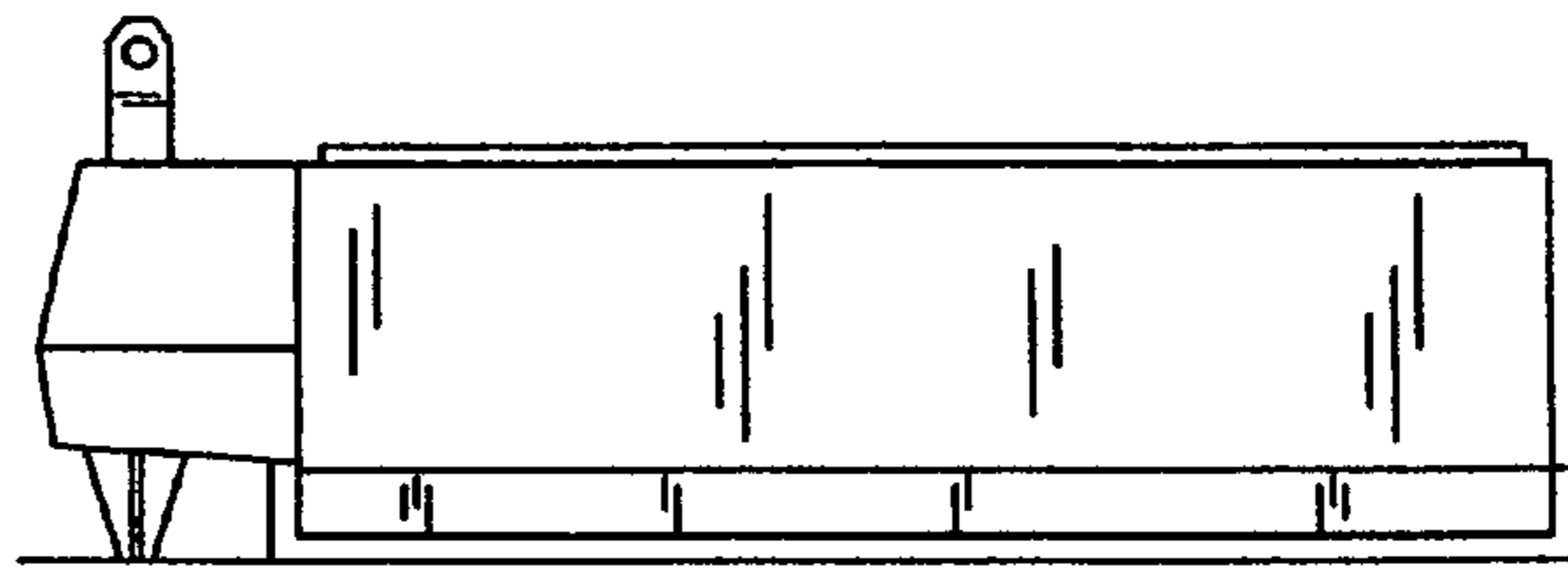


FIG. 2

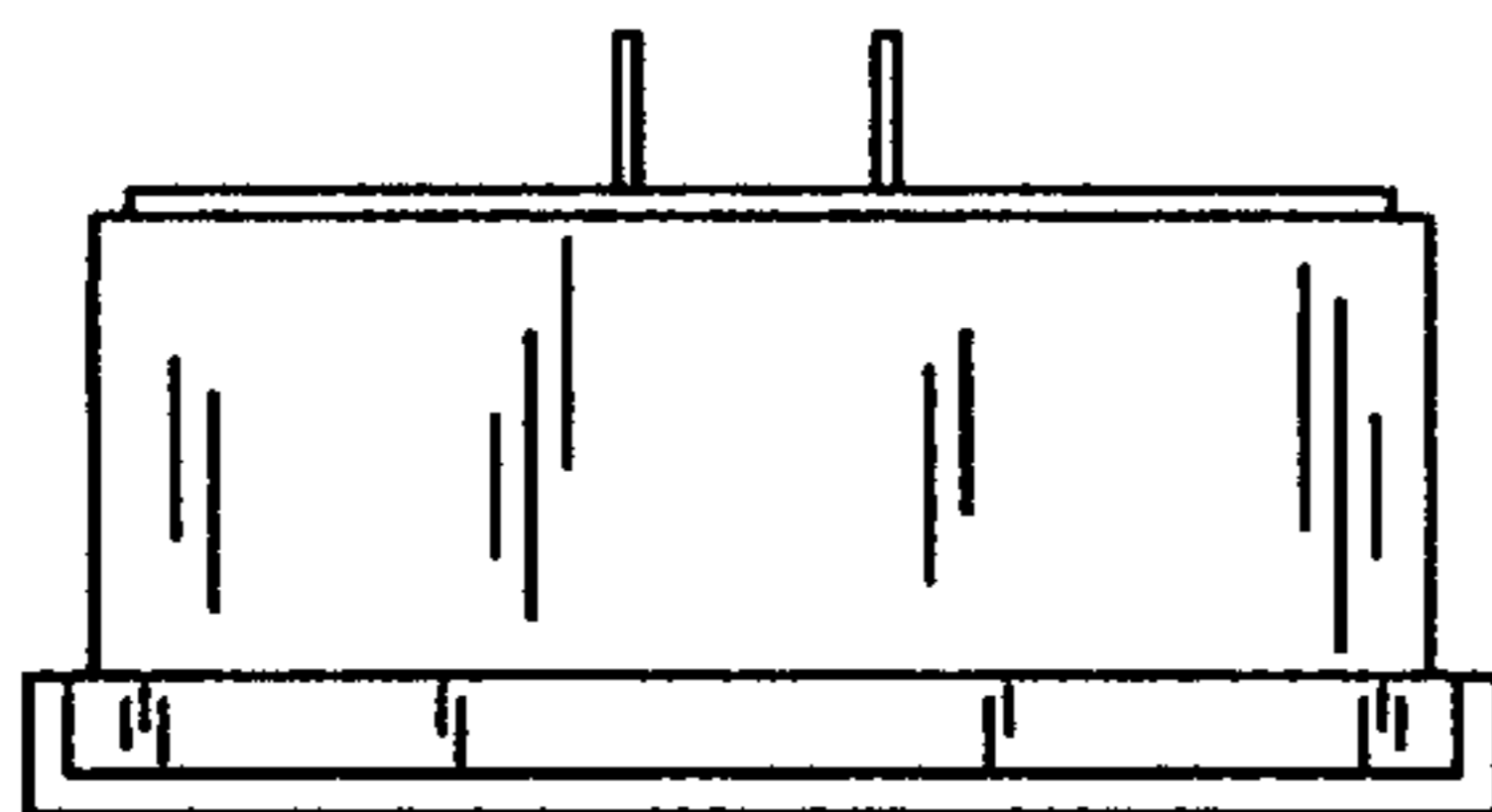


FIG. 3

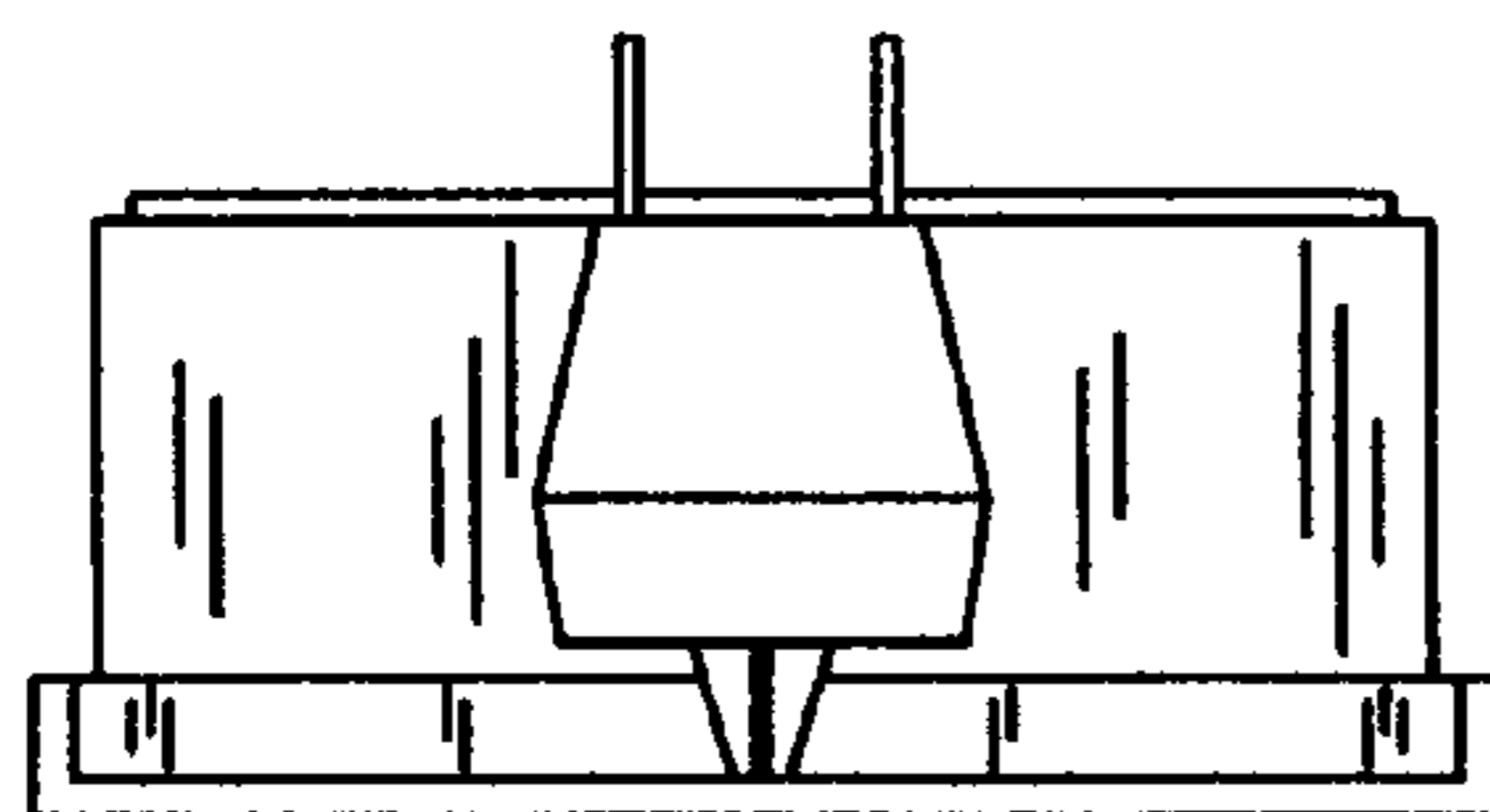


FIG. 4

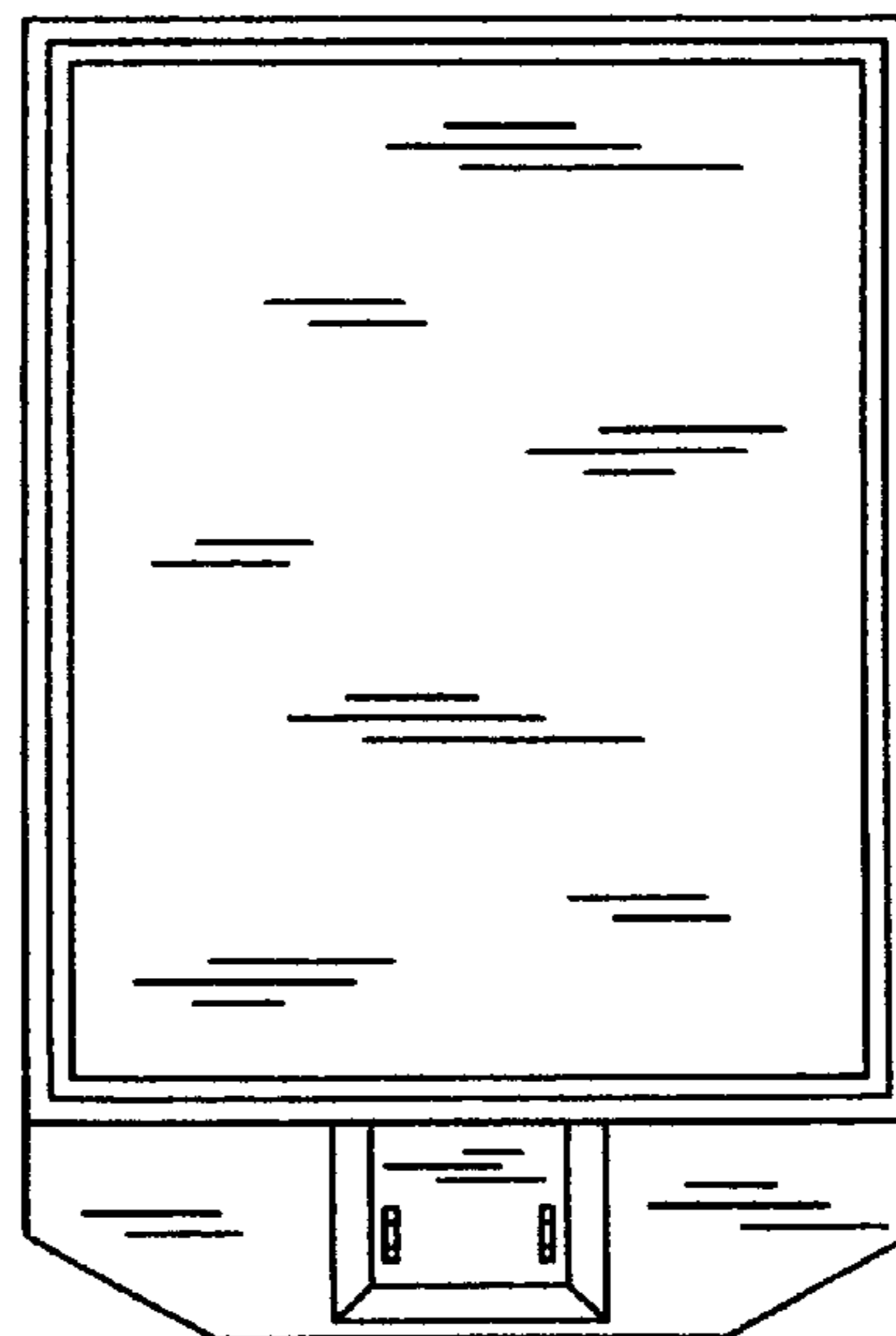


FIG. 5