



US00D685933S

(12) **United States Design Patent**
Ding

(10) **Patent No.:** **US D685,933 S**

(45) **Date of Patent:** **** Jul. 9, 2013**

(54) **LED LIGHT**

(75) Inventor: **Genglin Ding**, Shenzhen (CN)

(73) Assignee: **Civilight Shenzhen Semiconductor Lighting Co., Ltd.**, Shenzhen (CN)

(**) Term: **14 Years**

(21) Appl. No.: **29/424,124**

(22) Filed: **Jun. 7, 2012**

(51) **LOC (9) Cl.** **26-04**

(52) **U.S. Cl.**
USPC **D26/2**

(58) **Field of Classification Search**
USPC D26/1-4; 313/313, 315, 316, 317,
313/318, 493; 315/52, 53, 56, 57, 58
See application file for complete search history.

(56) **References Cited**

U.S. PATENT DOCUMENTS

D471,294 S * 3/2003 Bobel D26/2
D487,939 S * 3/2004 Smith D26/2
D494,688 S * 8/2004 Van de Ven et al. D26/2

D499,820 S * 12/2004 Foo D26/2
D500,872 S * 1/2005 Foo D26/2
D534,665 S * 1/2007 Egawa et al. D26/2
D634,451 S * 3/2011 de Visser D26/2

* cited by examiner

Primary Examiner — Marcus Jackson

(74) *Attorney, Agent, or Firm* — Hamre, Schumann, Mueller & Larson, P.C.

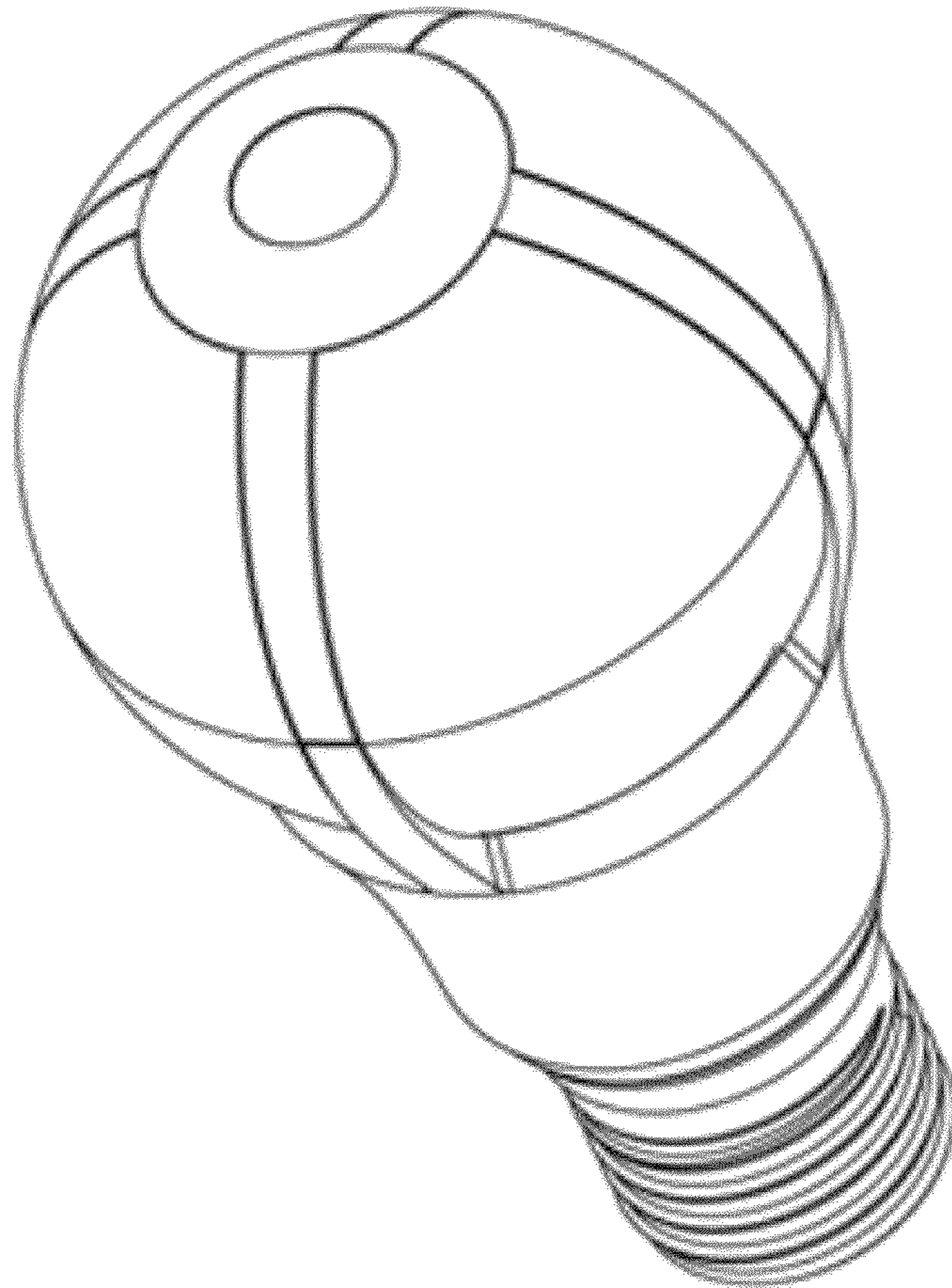
(57) **CLAIM**

The ornamental design for a “LED light,” as shown and described.

DESCRIPTION

FIG. 1 is a front, top and right side perspective view of a card reader showing our new design;
FIG. 2 is a front elevational view thereof;
FIG. 3 is a rear elevational view thereof;
FIG. 4 is a left side elevational view thereof;
FIG. 5 is a right side elevational view thereof;
FIG. 6 is a top plan view thereof; and,
FIG. 7 is a bottom plan view thereof.

1 Claim, 3 Drawing Sheets



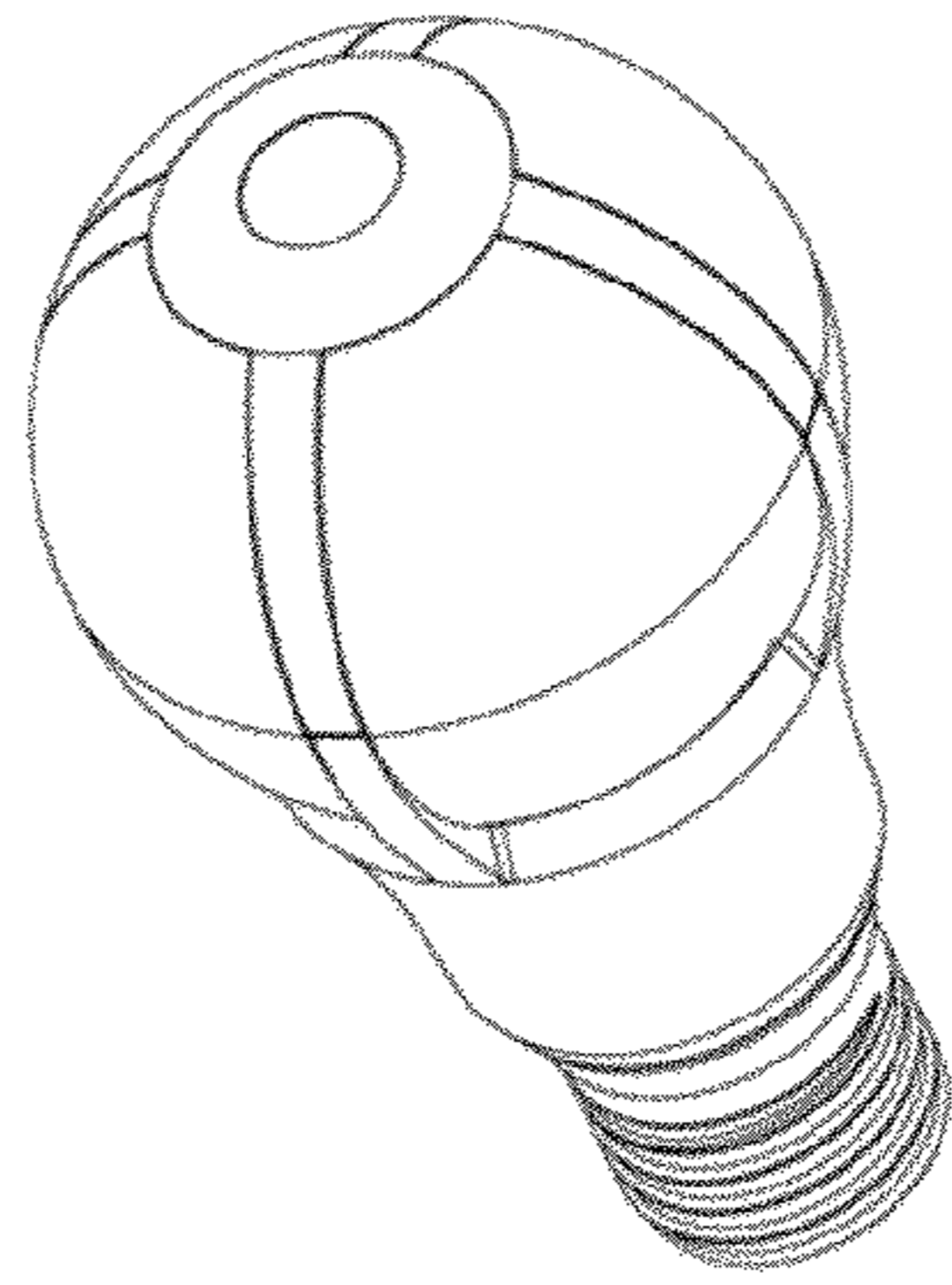


Fig 1

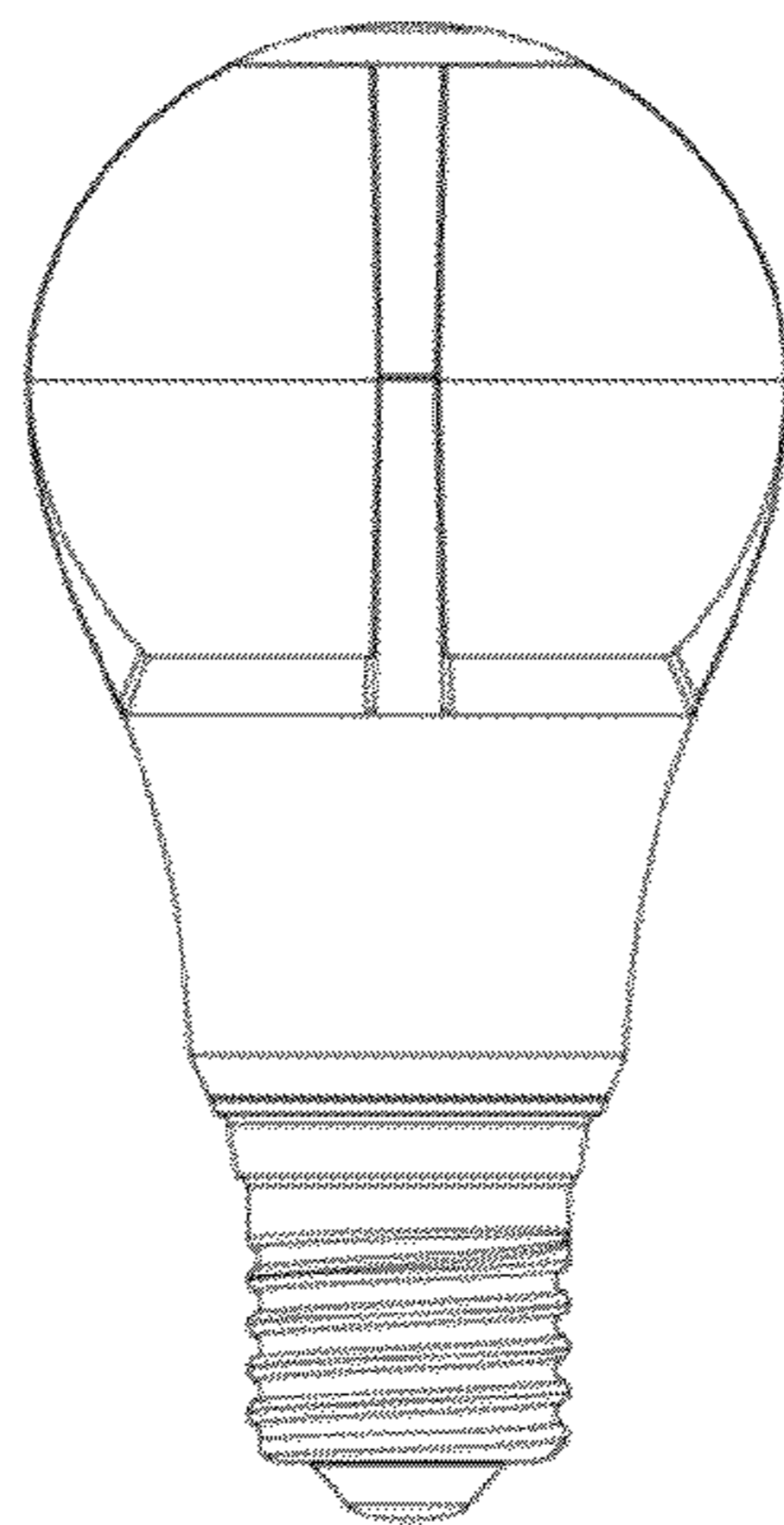


Fig 2

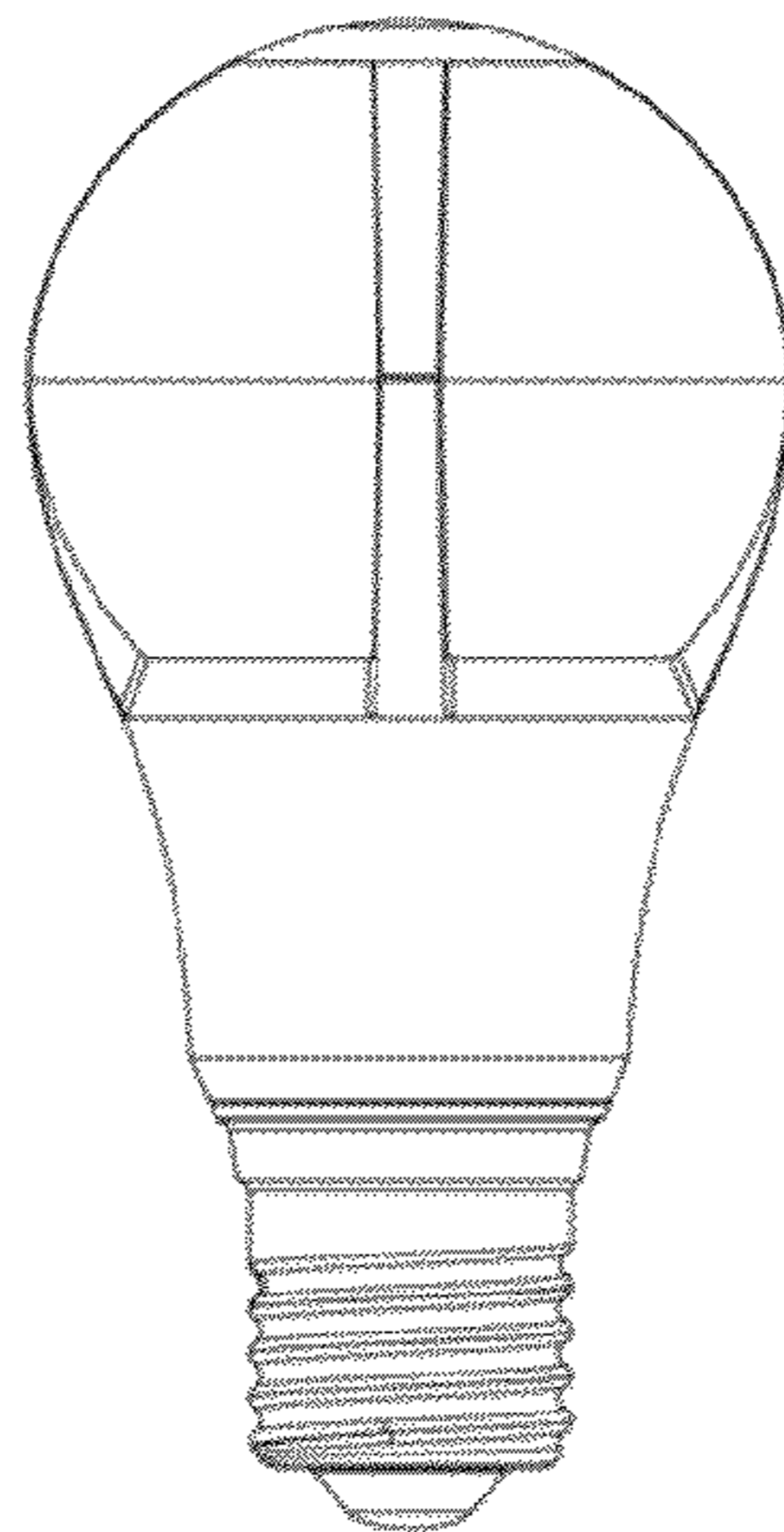


Fig 3

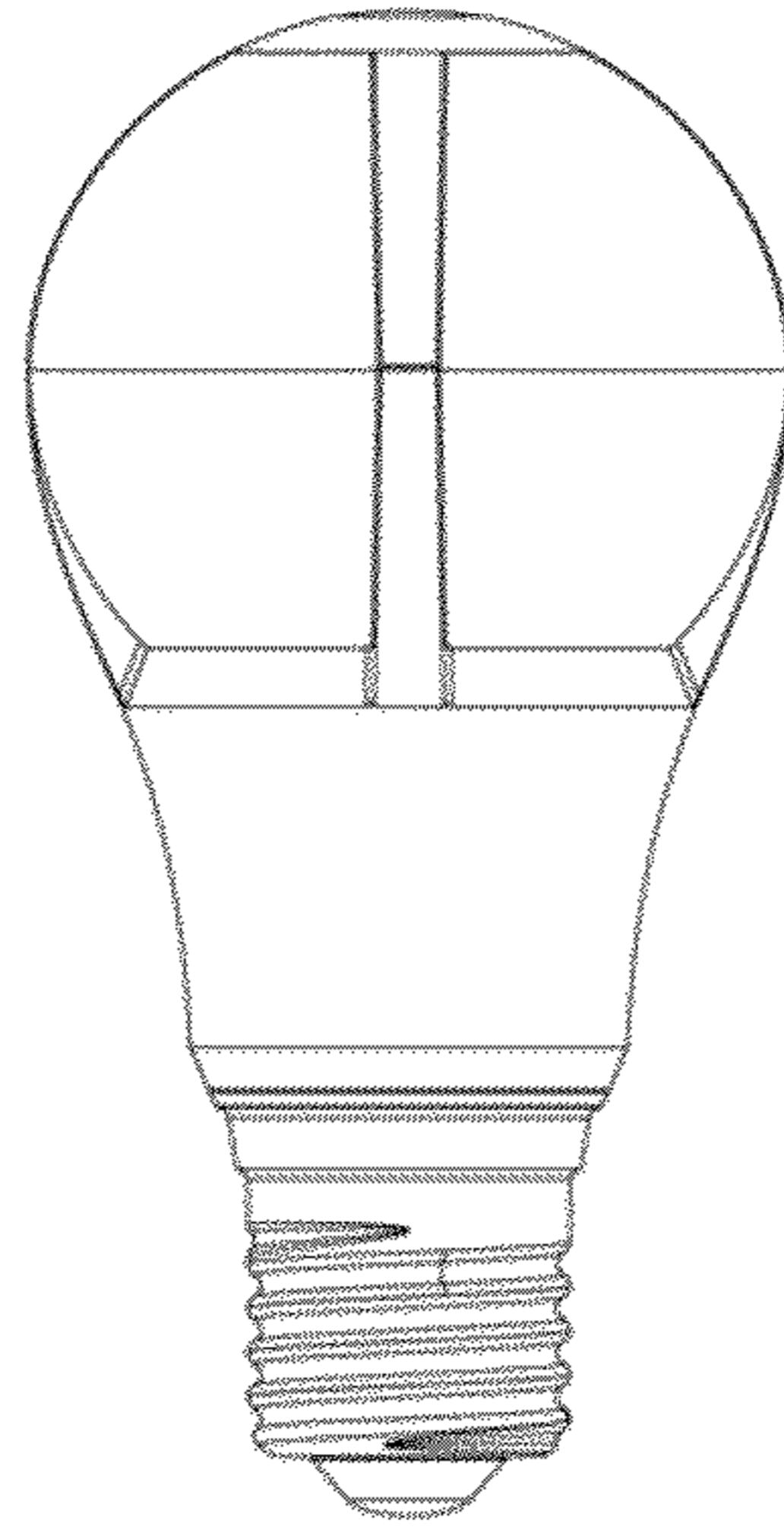


Fig 4

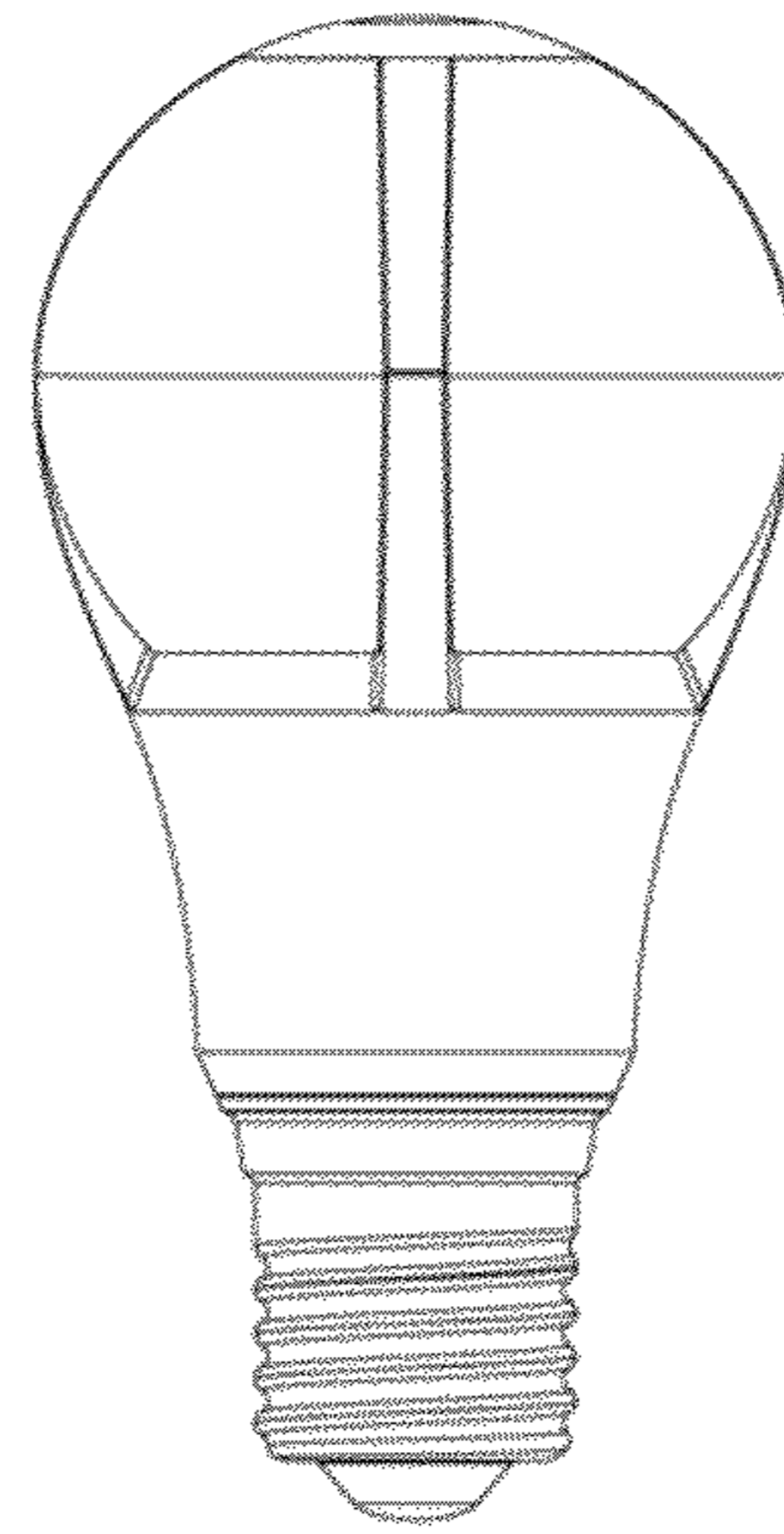


Fig 5

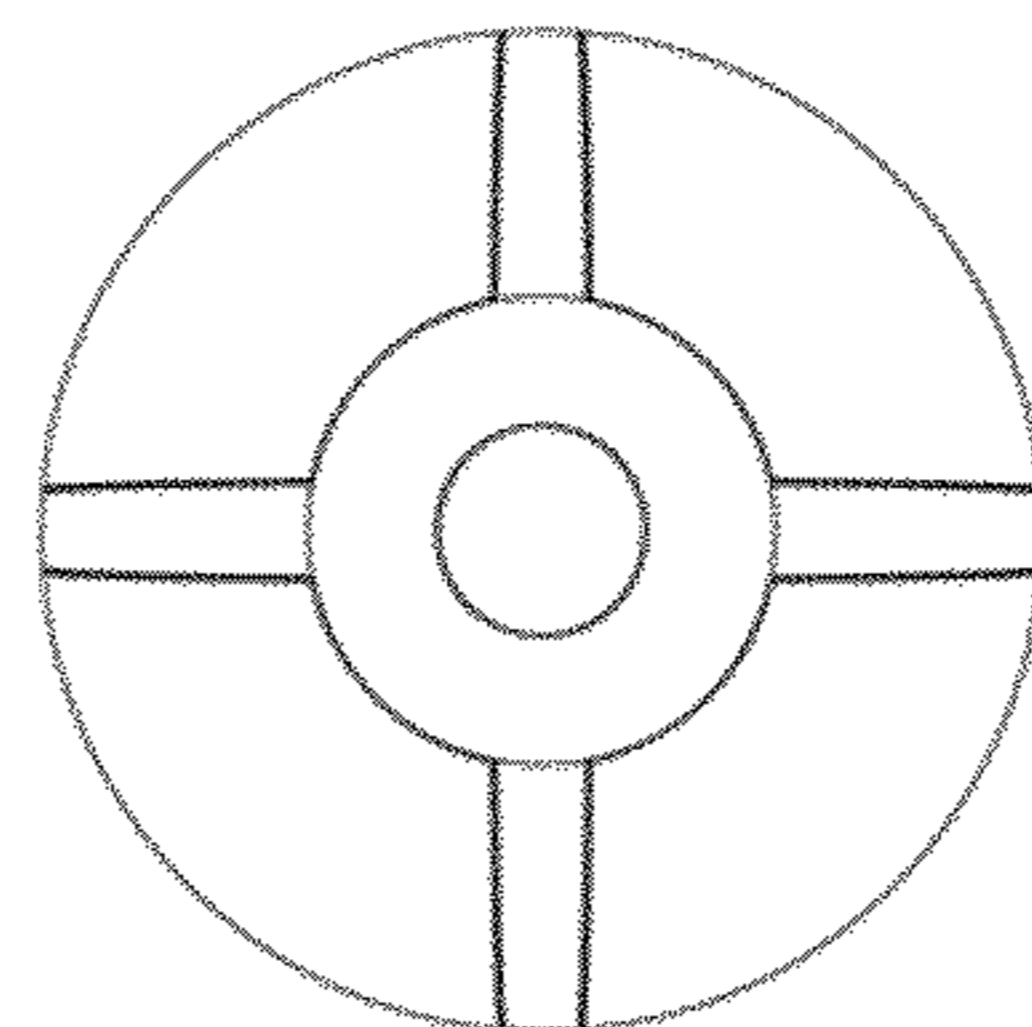


Fig 6

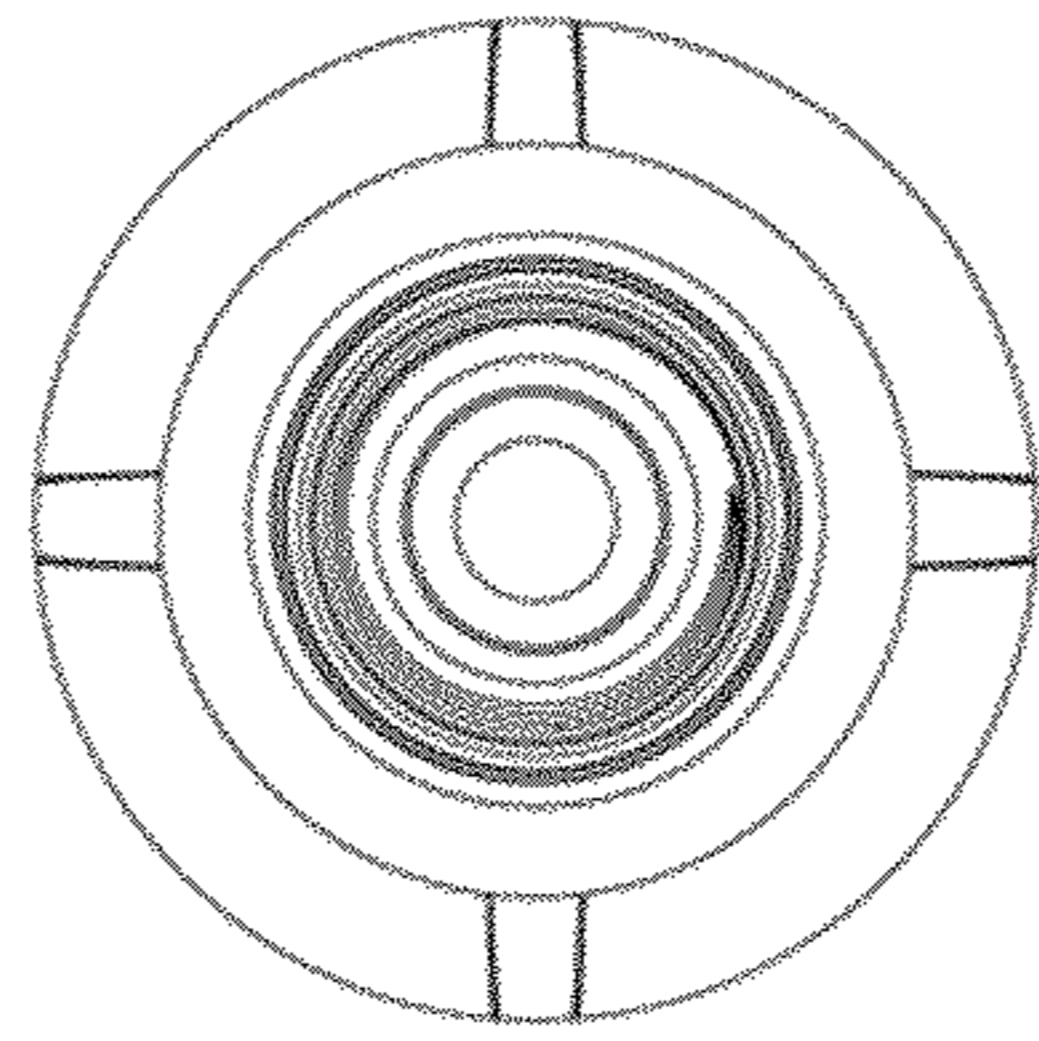


Fig 7