



US00D685930S

(12) **United States Design Patent**
On

(10) **Patent No.:** **US D685,930 S**
(45) **Date of Patent:** **** Jul. 9, 2013**

(54) **LED LIGHT BULB**

(75) Inventor: **Hing Yau On**, Hong Kong (HK)

(73) Assignee: **Kong Lighting Technology Ltd.**, Hong Kong (HK)

(**) Term: **14 Years**

(21) Appl. No.: **29/404,372**

(22) Filed: **Oct. 20, 2011**

(51) **LOC (9) Cl.** **26-04**

(52) **U.S. Cl.**
USPC **D26/2**

(58) **Field of Classification Search**
USPC D26/1-4; 313/313, 315, 316, 317,
313/318, 493; 315/52, 53, 56, 57, 58
See application file for complete search history.

(56) **References Cited**

U.S. PATENT DOCUMENTS

D392,057 S *	3/1998	Chen	D26/2
D405,201 S *	2/1999	Lodhie	D26/2
D426,899 S *	6/2000	Au Yeng	D26/2
D543,644 S *	5/2007	Bembridge	D26/2
D600,369 S *	9/2009	Arndt et al.	D26/2
D634,454 S *	3/2011	On	D26/2

* cited by examiner

Primary Examiner — Marcus Jackson

(57) **CLAIM**
The ornamental design for a LED light bulb, as shown.

DESCRIPTION

FIG. 1 is a front view of a first embodiment of a LED light bulb of our new design;
FIG. 2 is a back view of the first embodiment of the LED light bulb;

FIG. 3 is a left view of the first embodiment of the LED light bulb;

FIG. 4 is a right view of the first embodiment of the LED light bulb;

FIG. 5 is a top view of the first embodiment of the LED light bulb;

FIG. 6 is a bottom view of the first embodiment of the LED light bulb;

FIG. 7 is a perspective view of the first embodiment of the LED light bulb;

FIG. 8 is front view of a second embodiment of a LED light bulb of our new design;

FIG. 9 is a back view of the second embodiment of the LED light bulb;

FIG. 10 is a left view of the second embodiment of the LED light bulb;

FIG. 11 is a right view of the second embodiment of the LED light bulb;

FIG. 12 is a top view of the second embodiment of the LED light bulb;

FIG. 13 is a bottom view of the second embodiment of the LED light bulb;

FIG. 14 is a perspective view of the second embodiment of the LED light bulb;

FIG. 15 is a front view of a third embodiment of a LED light bulb of our new design;

FIG. 16 is a back view of the third embodiment of the LED light bulb;

FIG. 17 is a left view of the third embodiment of the LED light bulb;

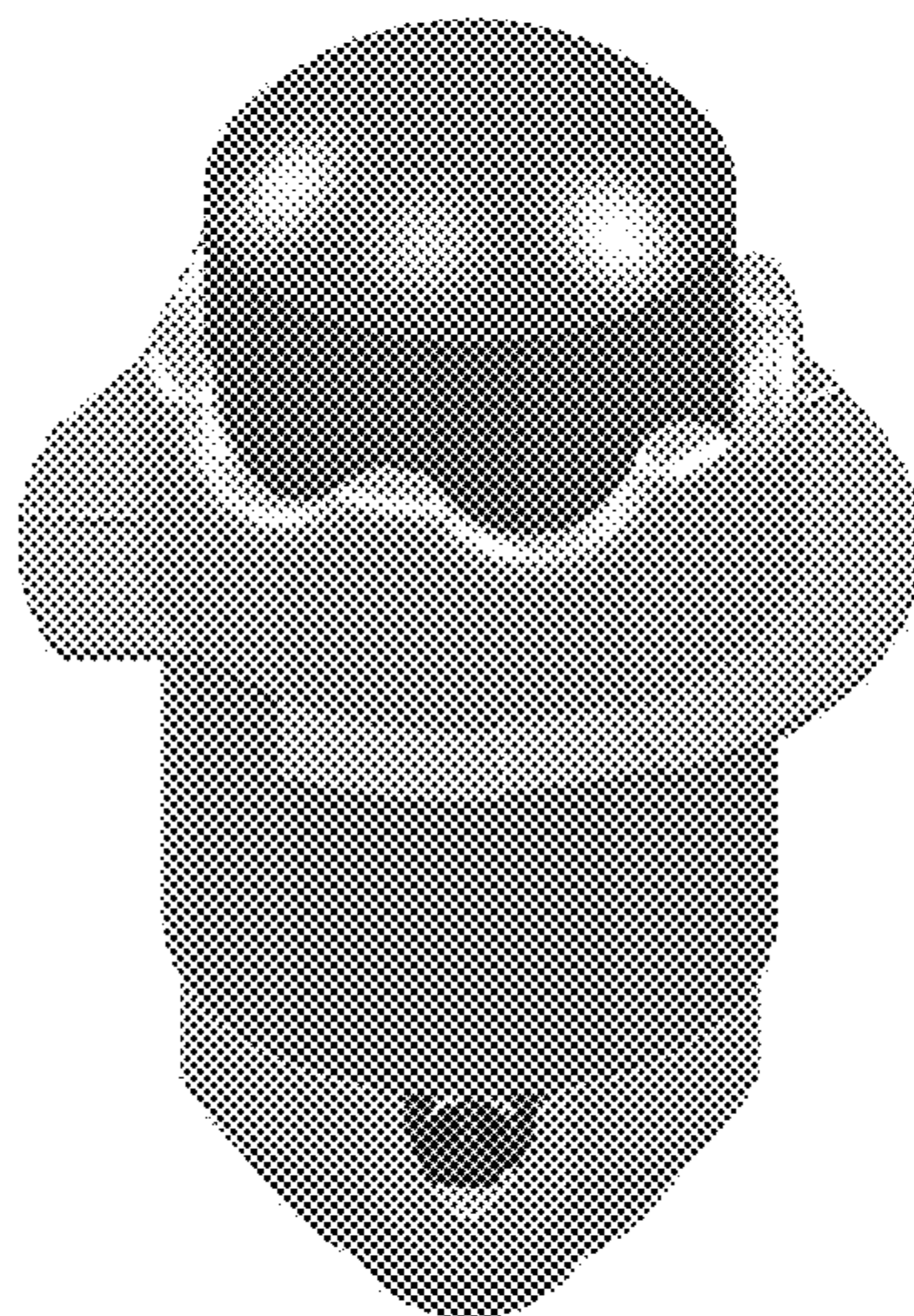
FIG. 18 is a right view of the third embodiment of the LED light bulb;

FIG. 19 is a top view of the third embodiment of the LED light bulb;

FIG. 20 is a bottom view of the third embodiment of the LED light bulb; and,

FIG. 21 is a perspective view of the third embodiment of the LED light bulb.

1 Claim, 21 Drawing Sheets



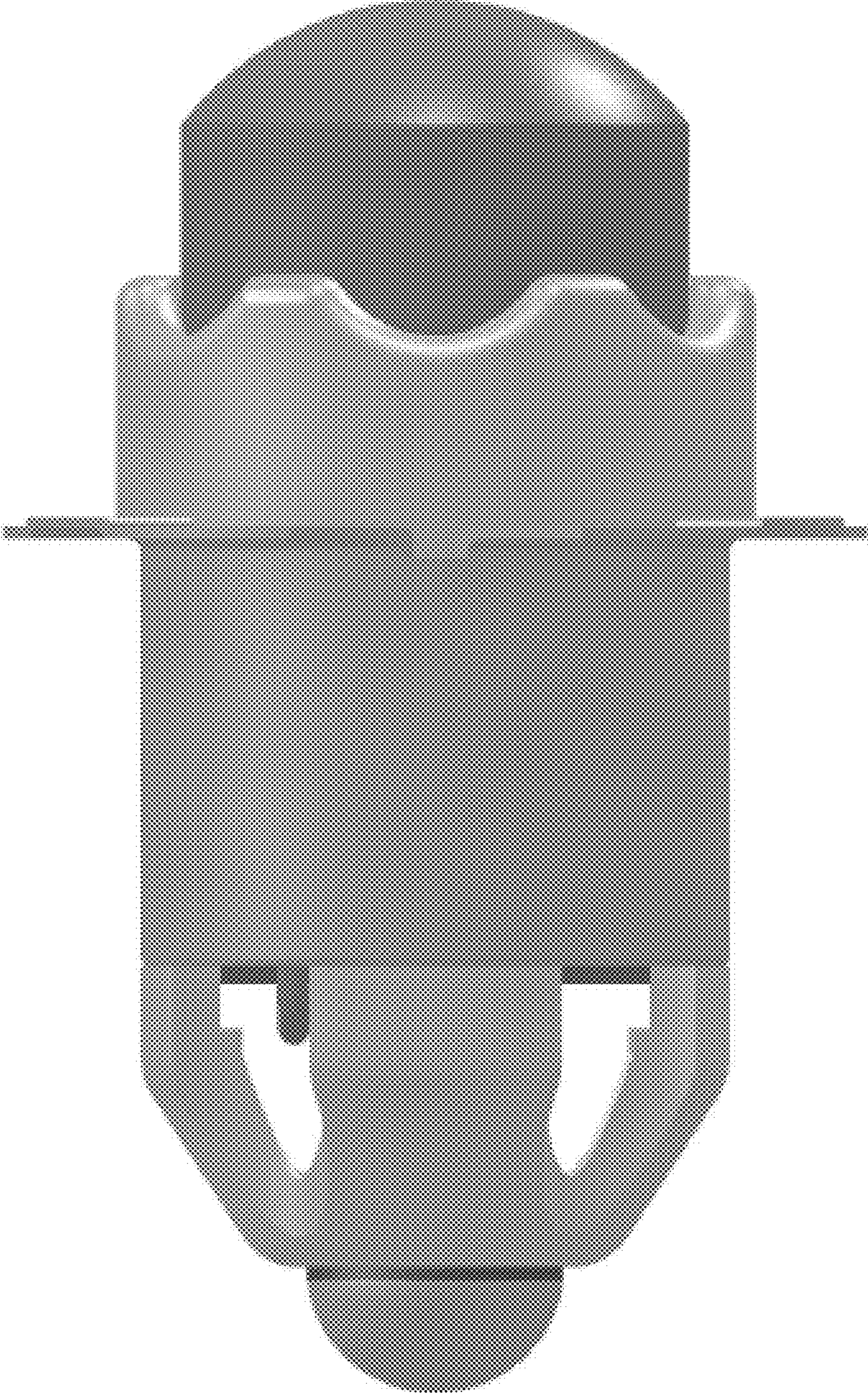


FIG. 1

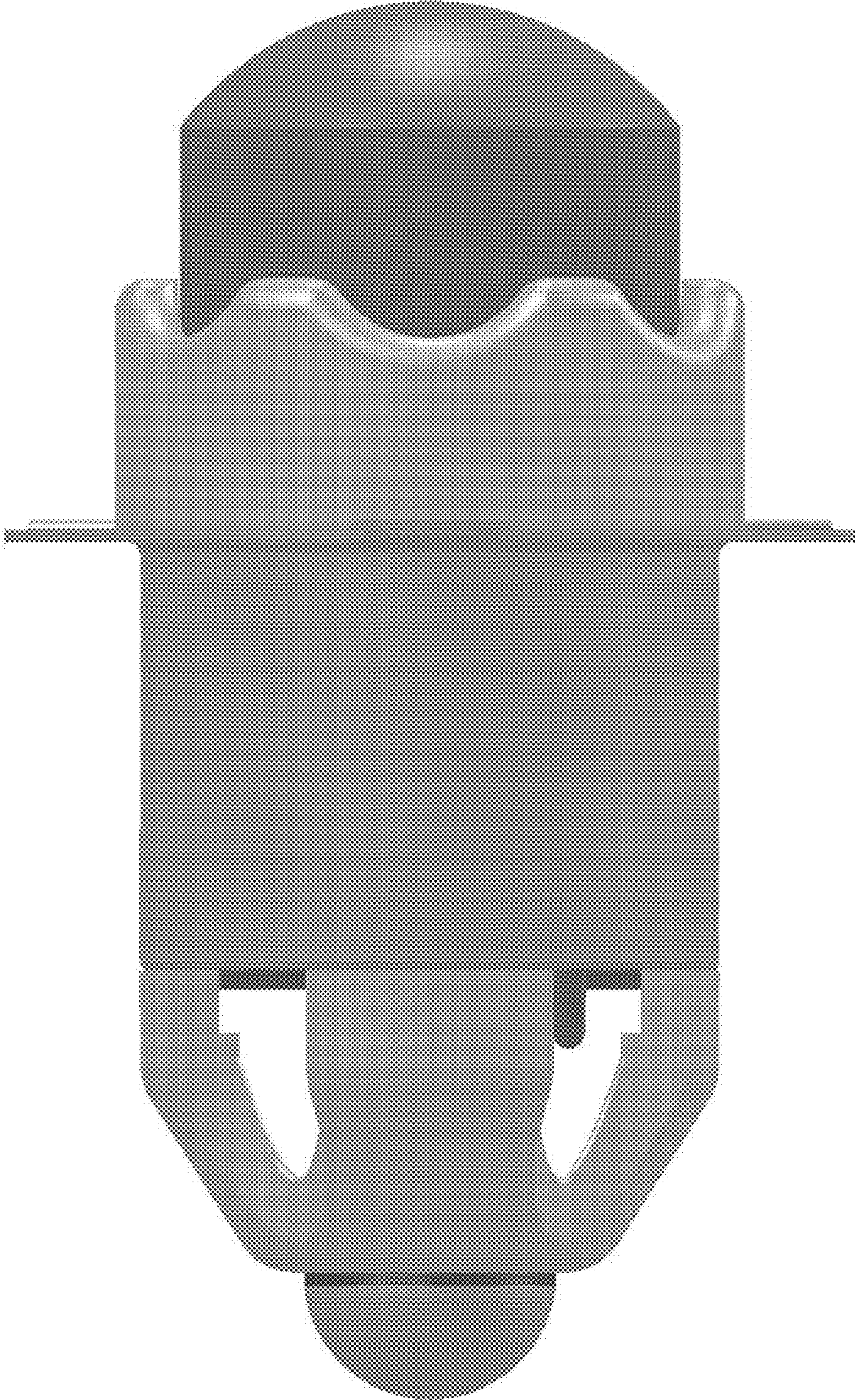


FIG. 2

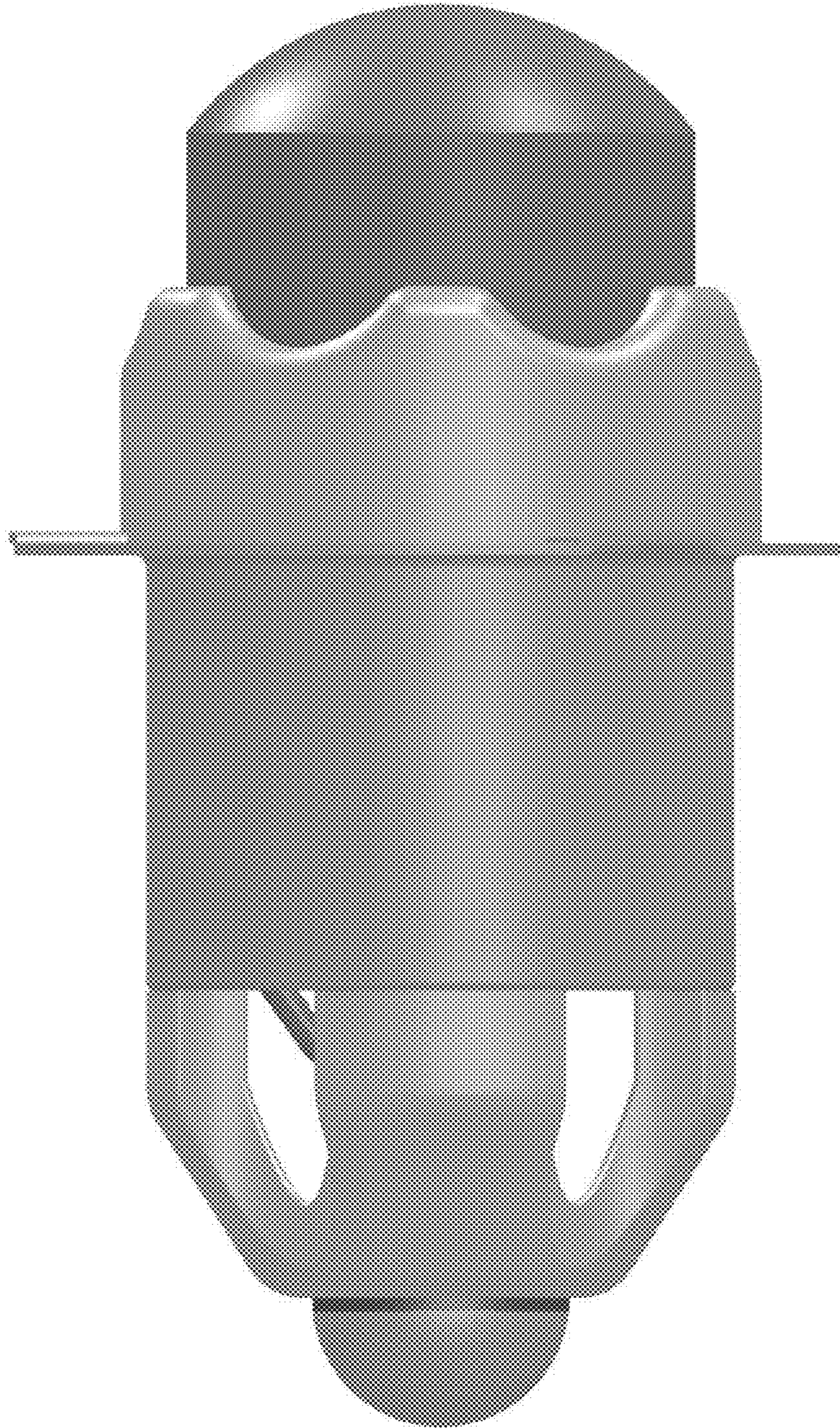


FIG. 3

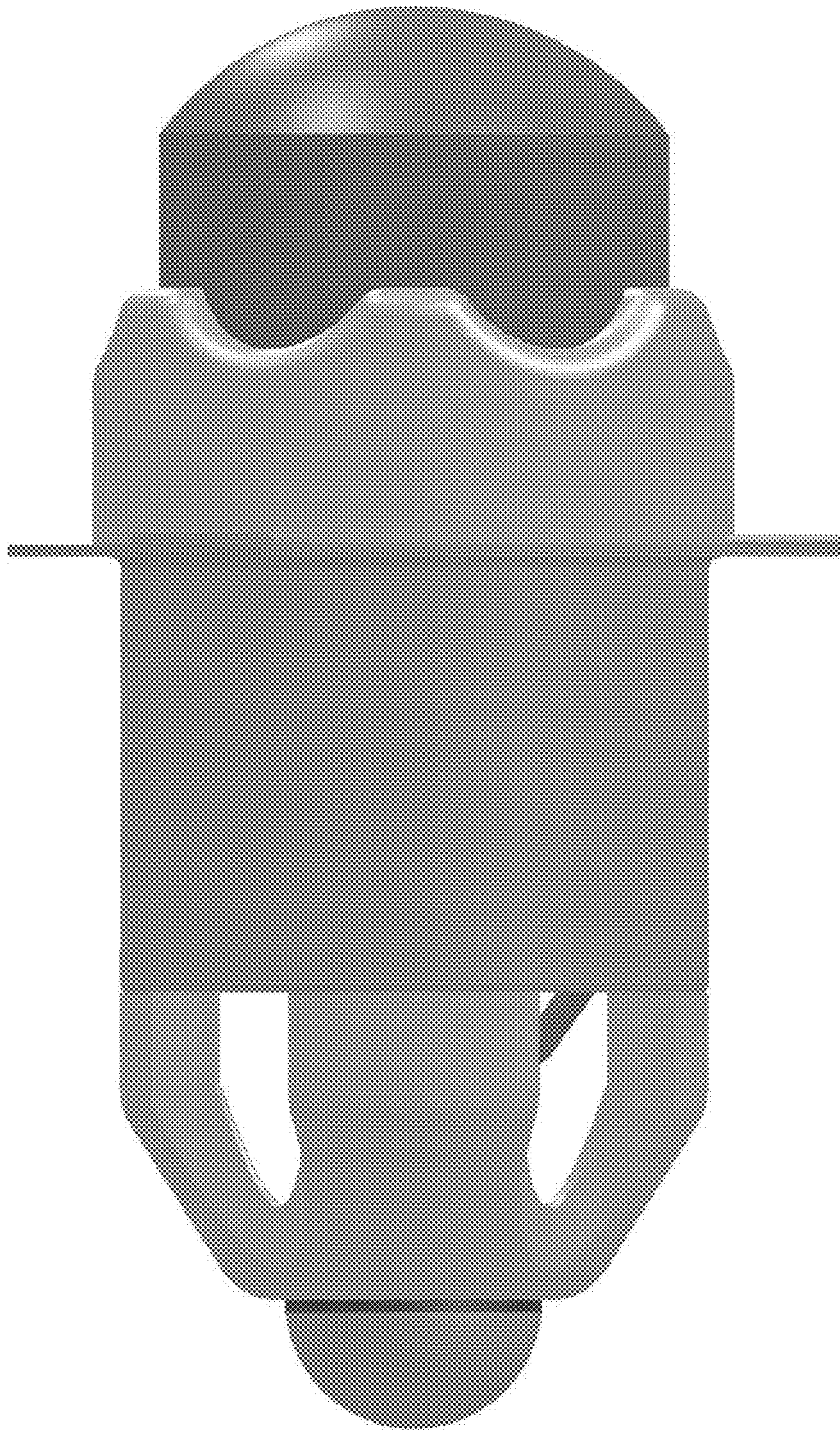


FIG. 4

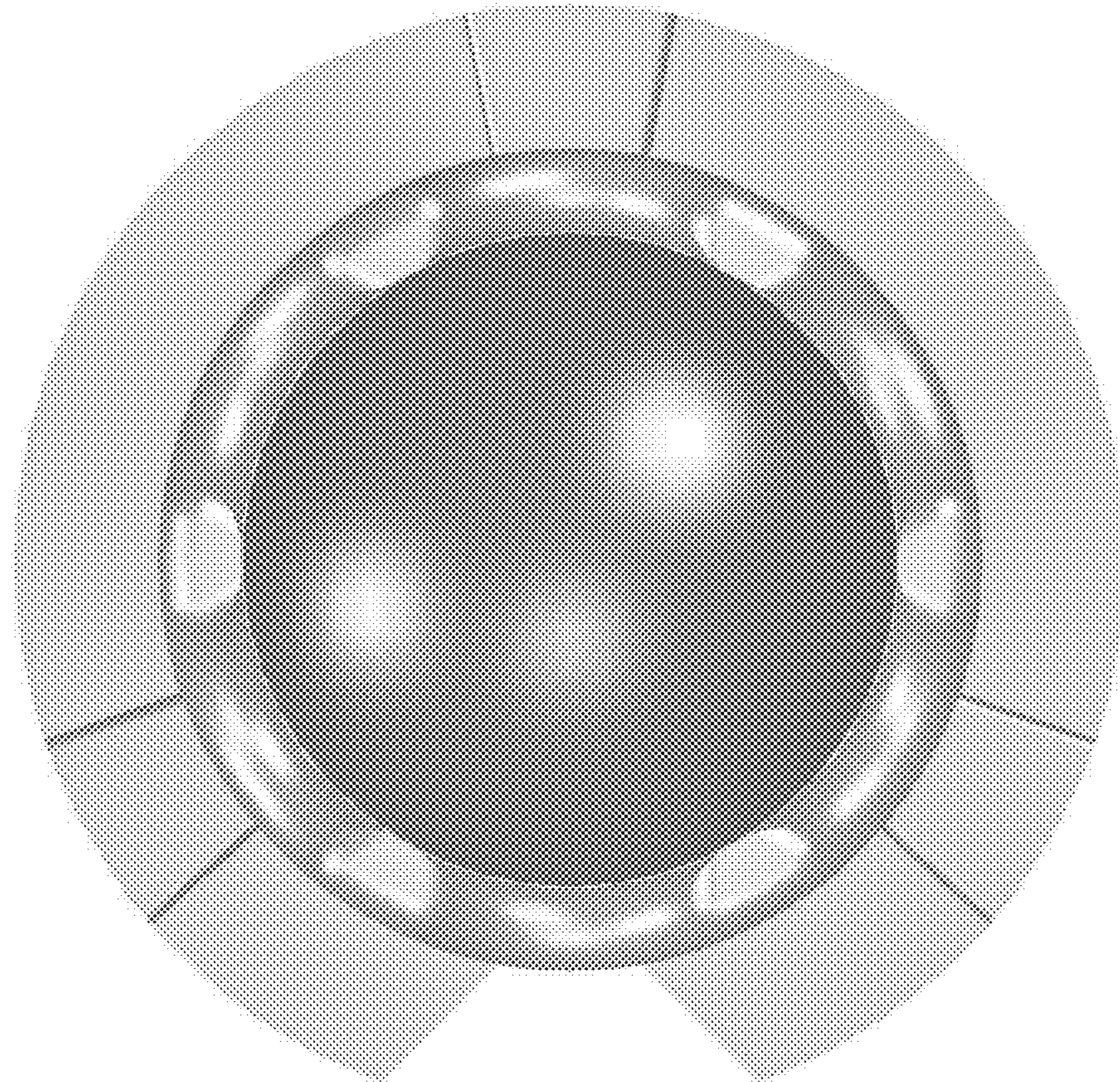


FIG. 5

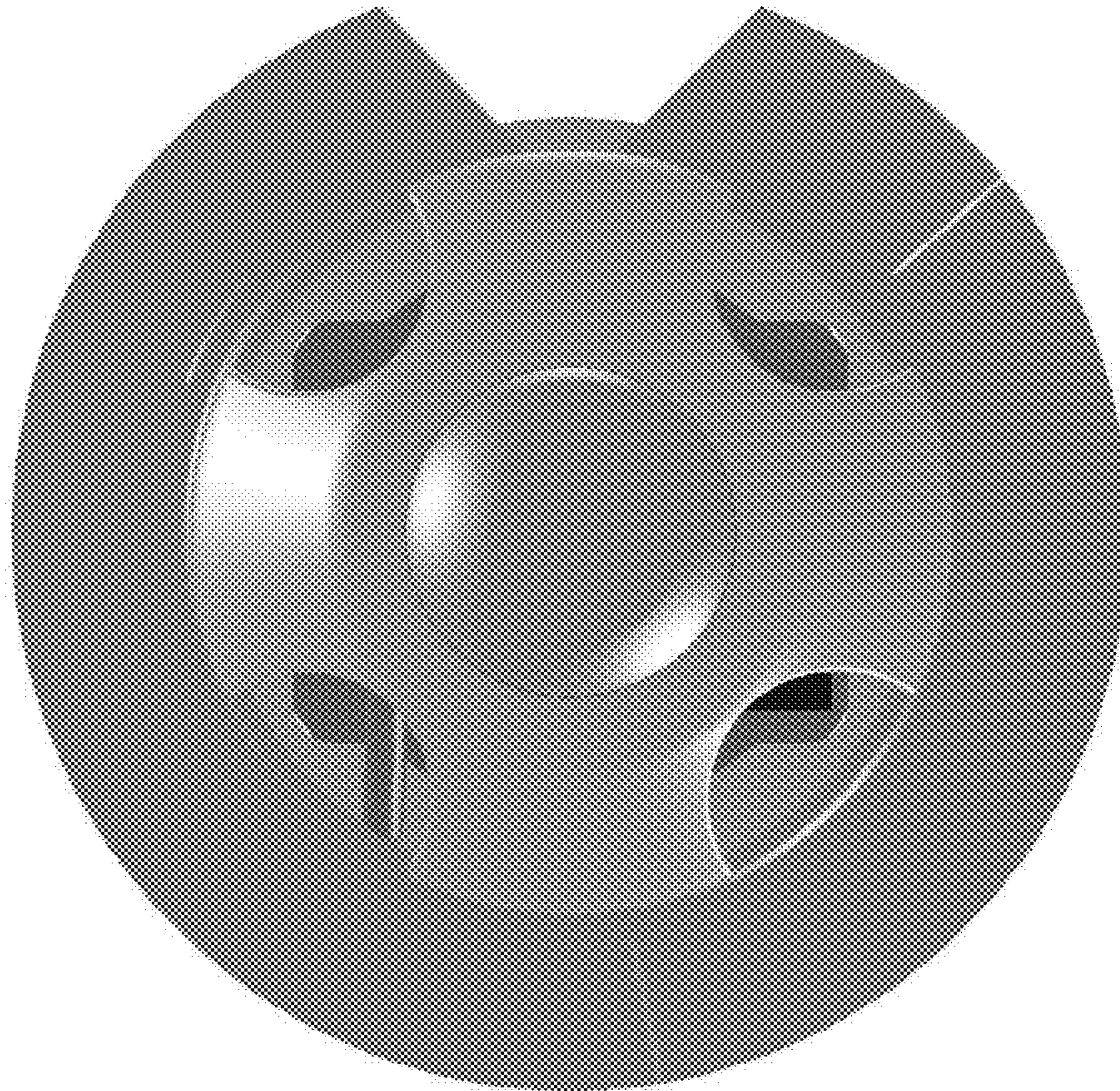


FIG. 6

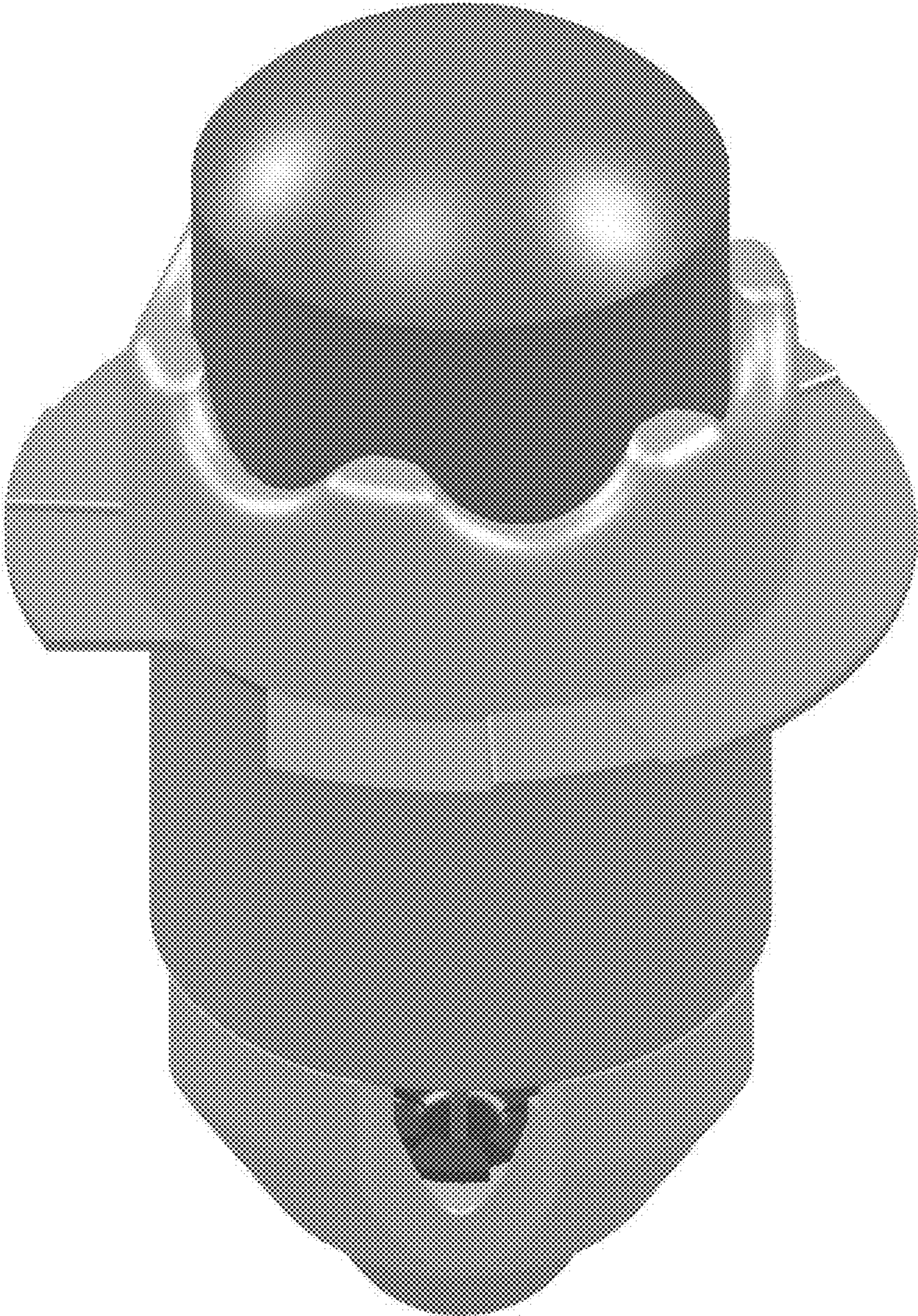


FIG. 7

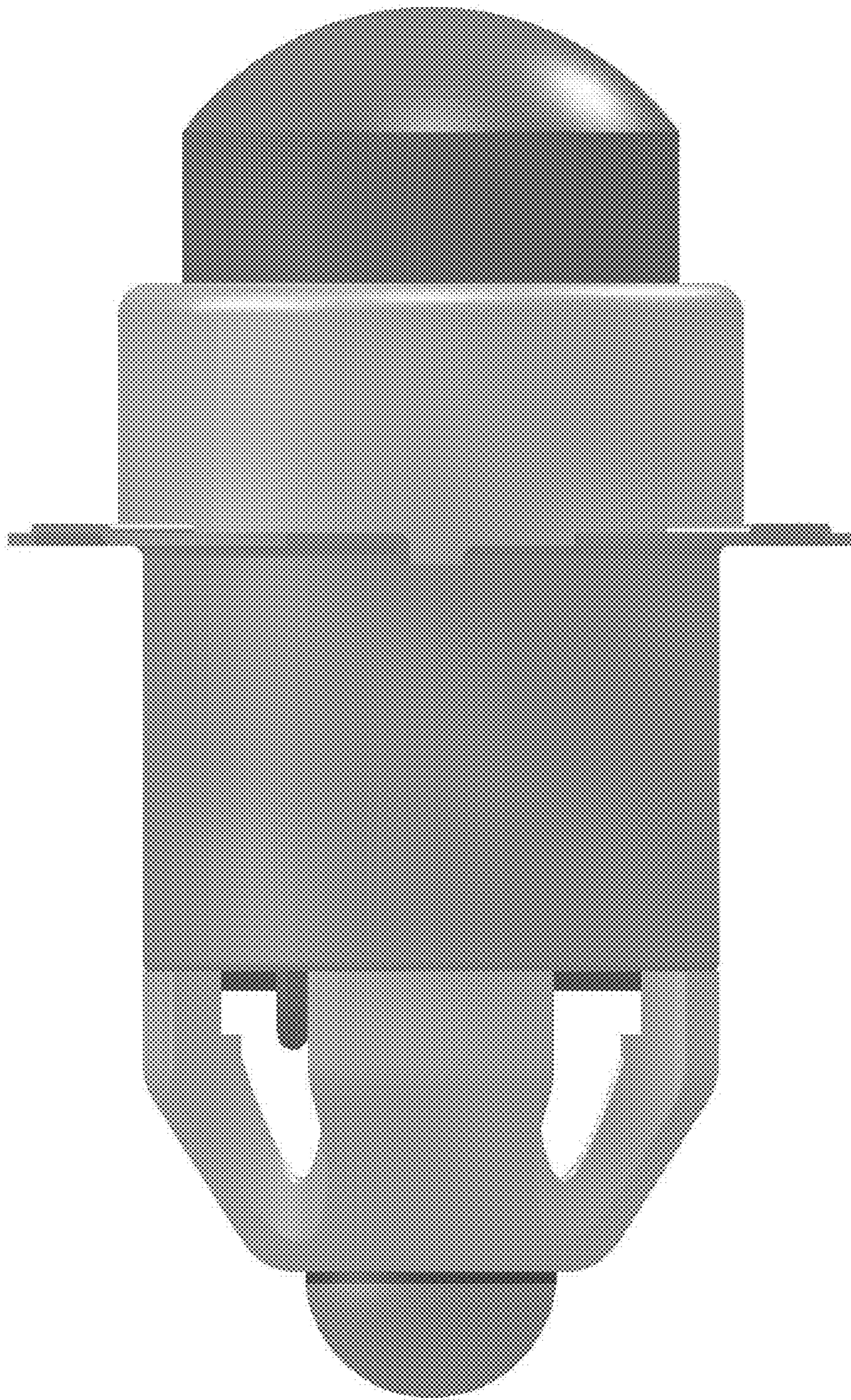


FIG. 8

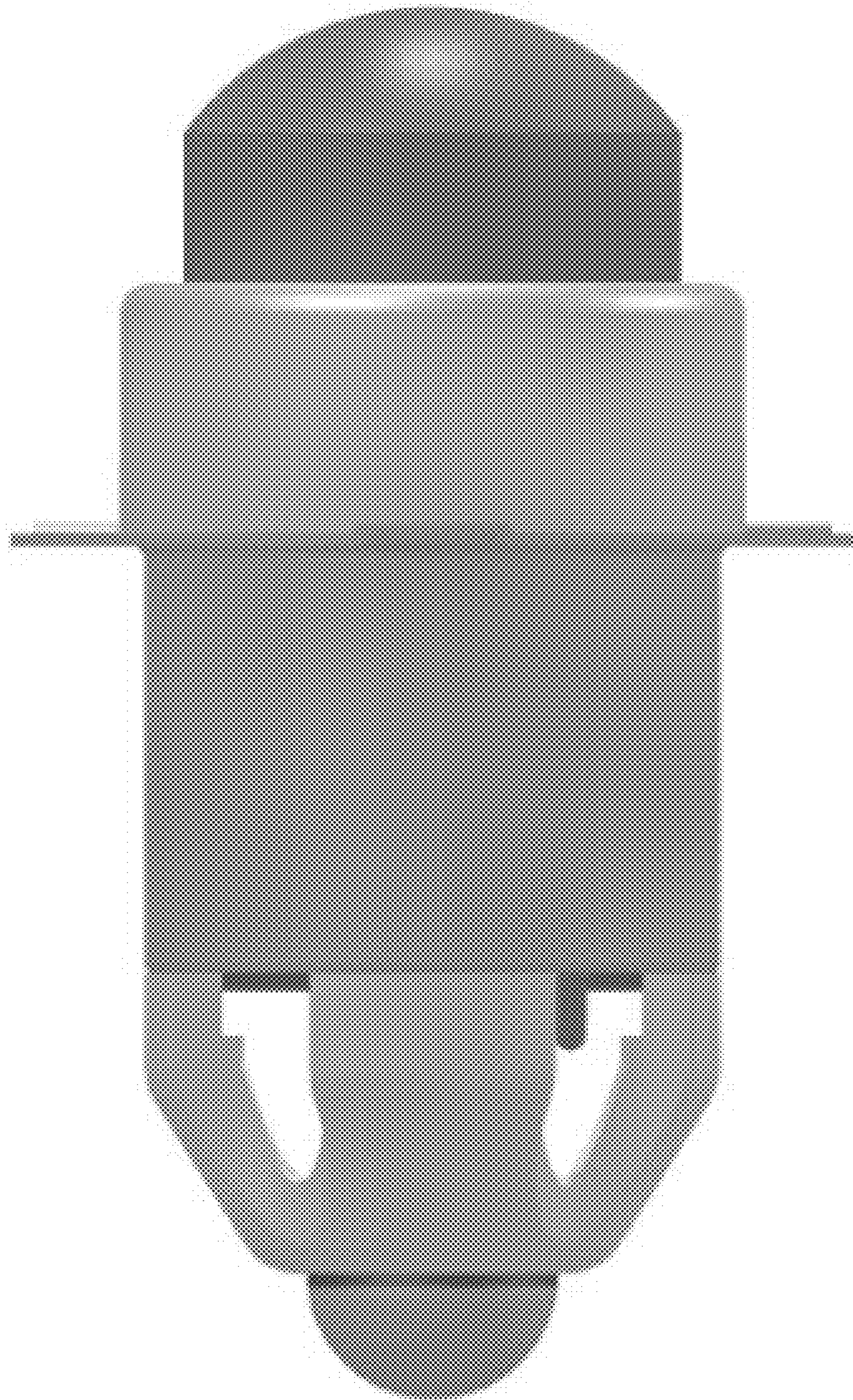


FIG. 9

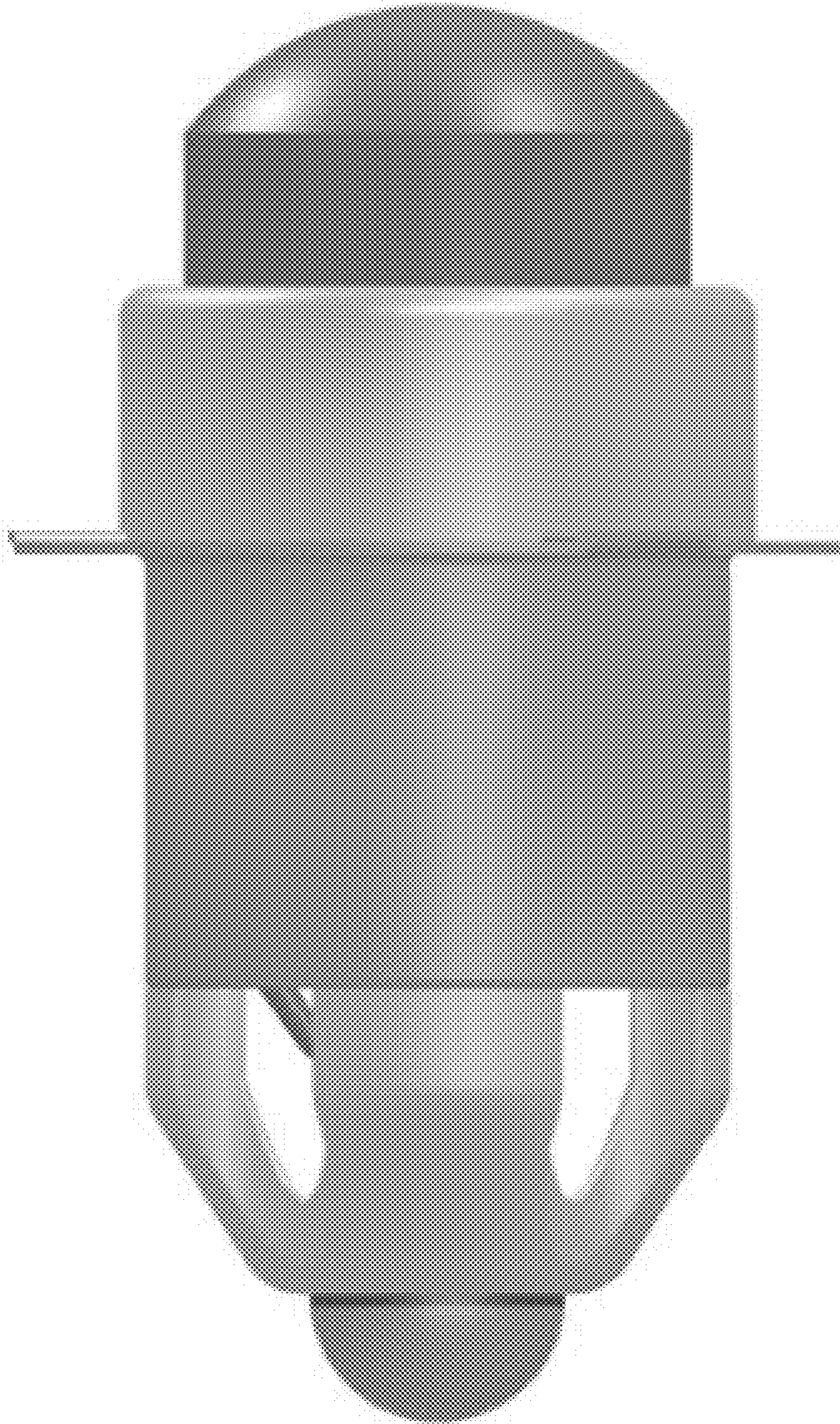


FIG. 10

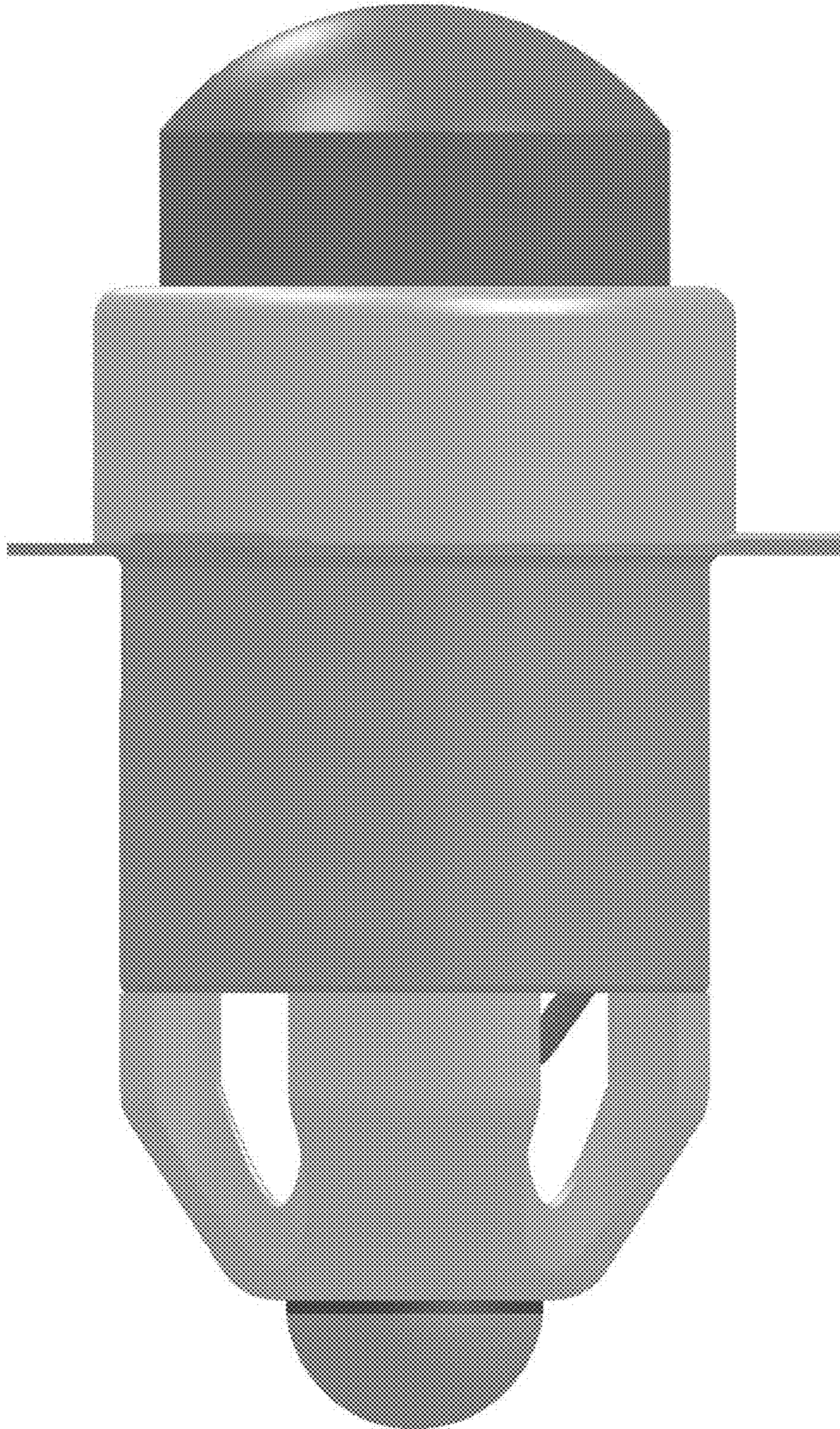


FIG. 11

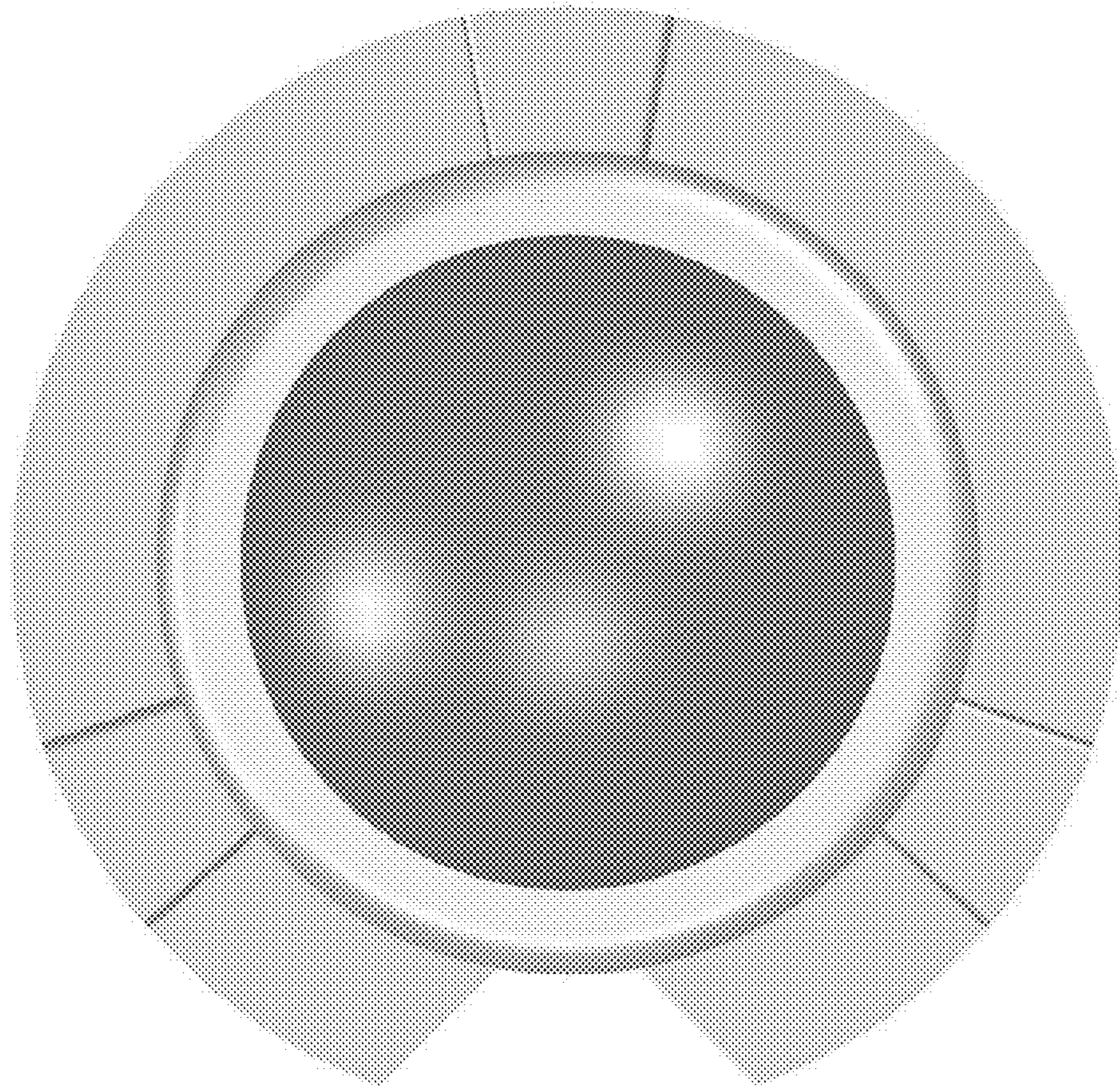


FIG. 12

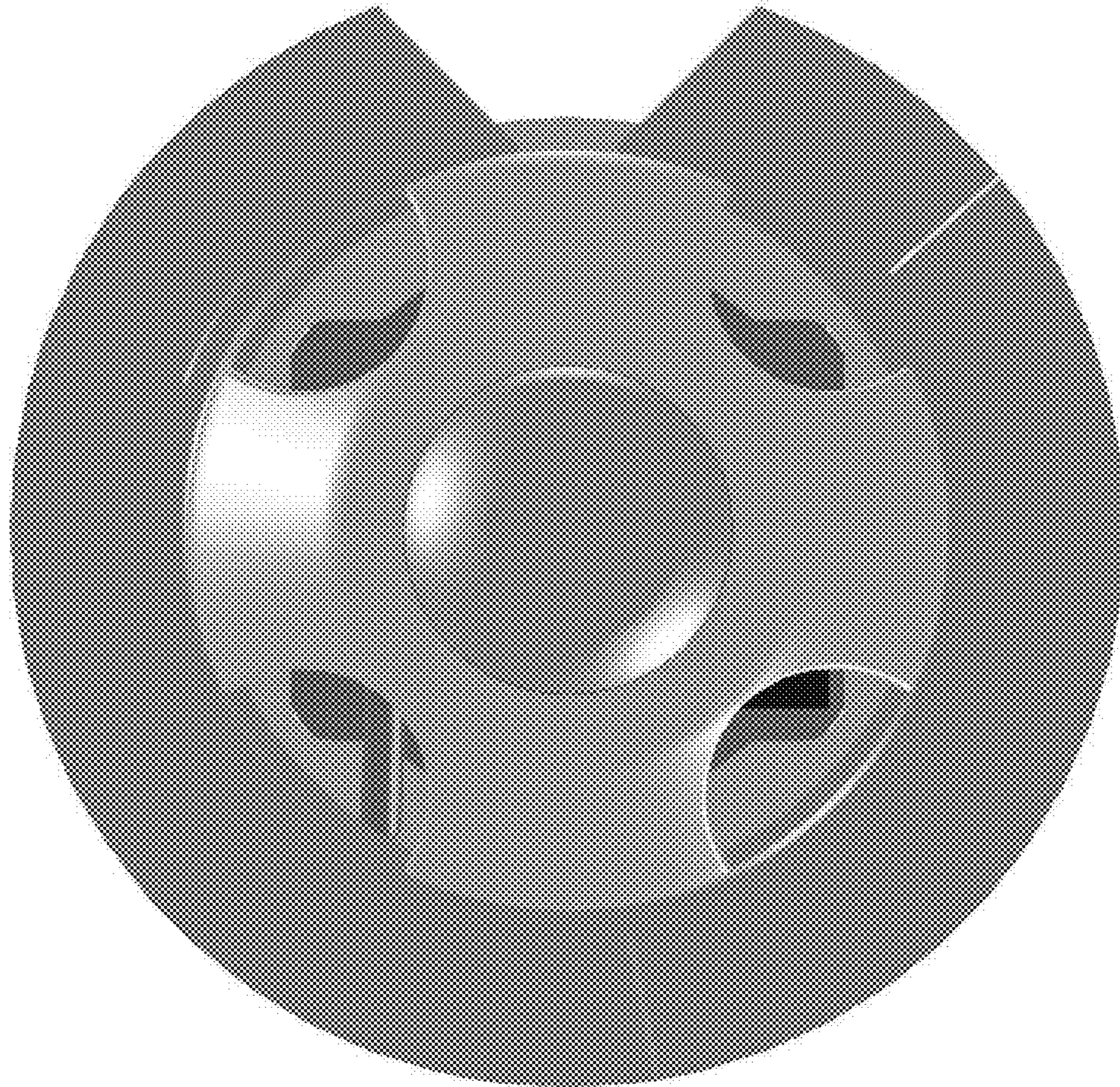


FIG. 13

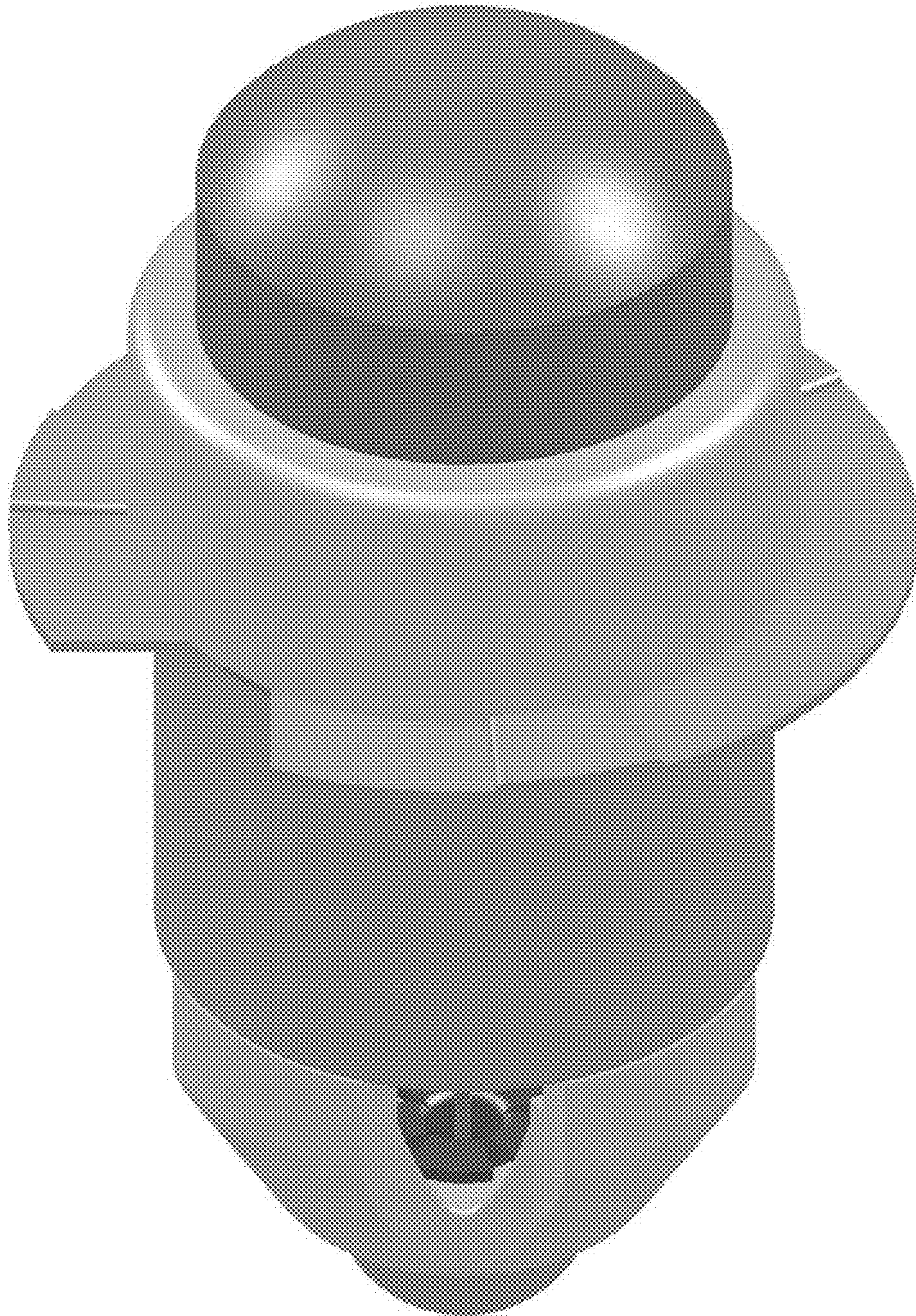


FIG. 14

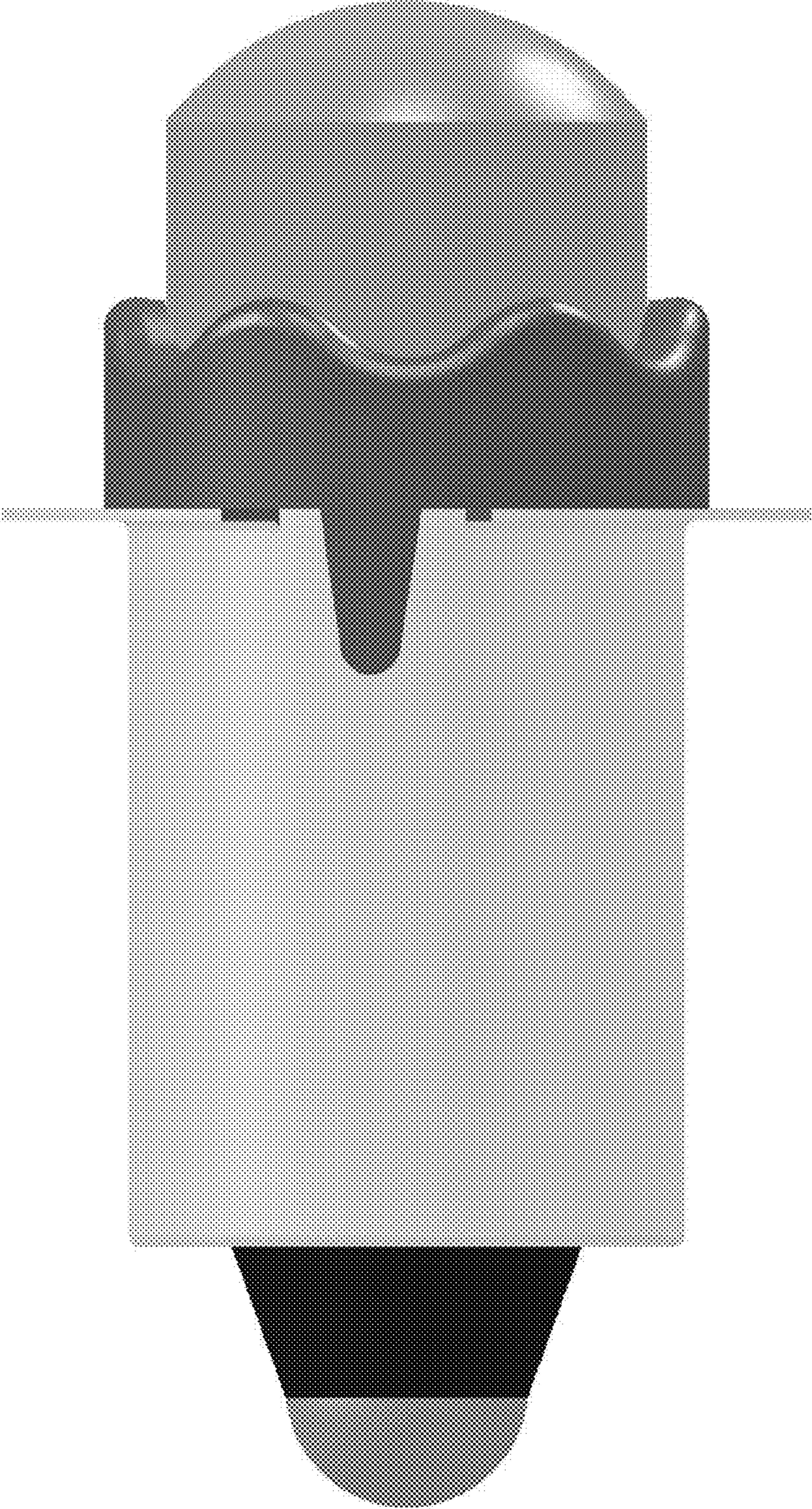


FIG. 15

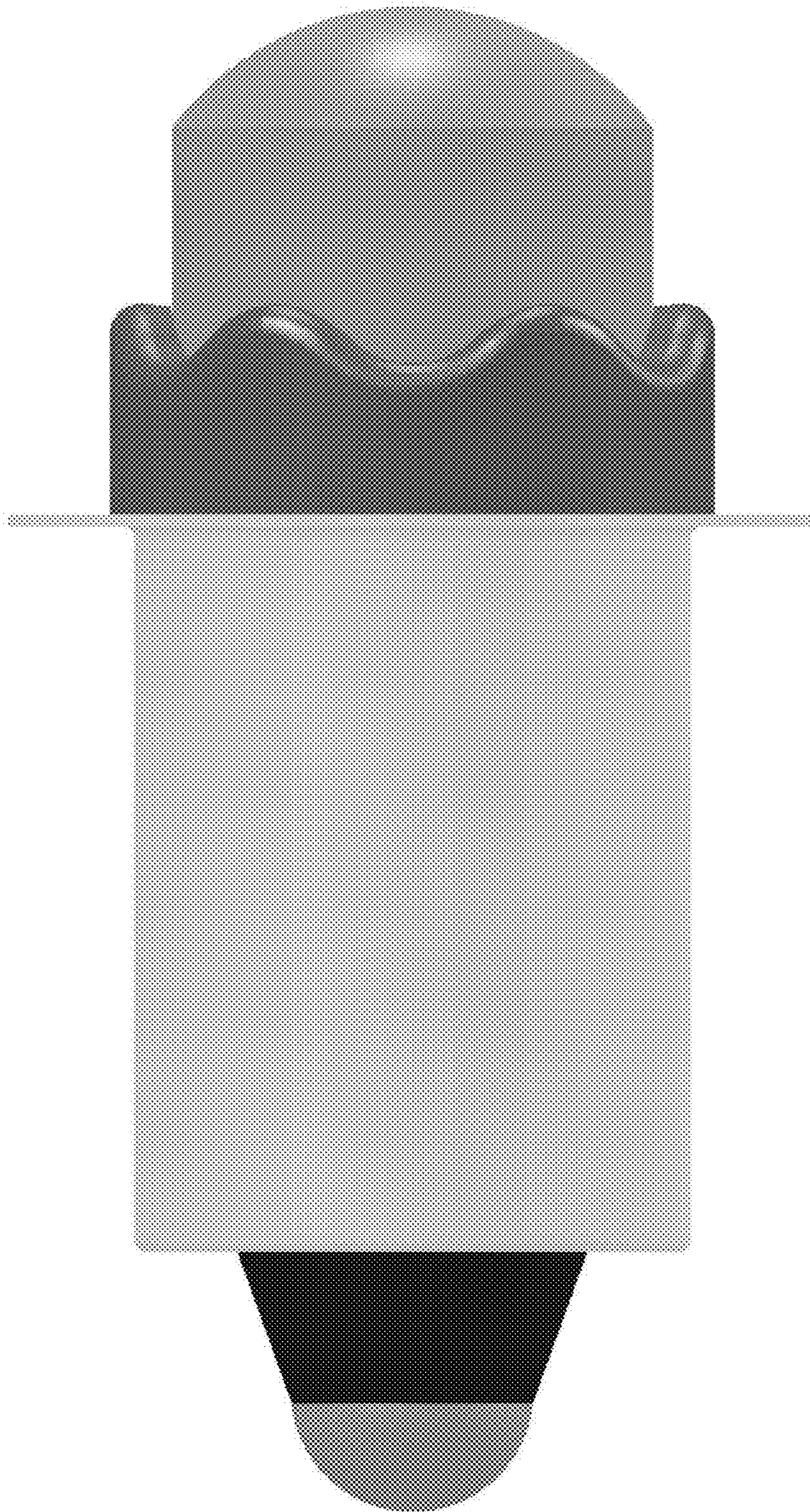


FIG. 16

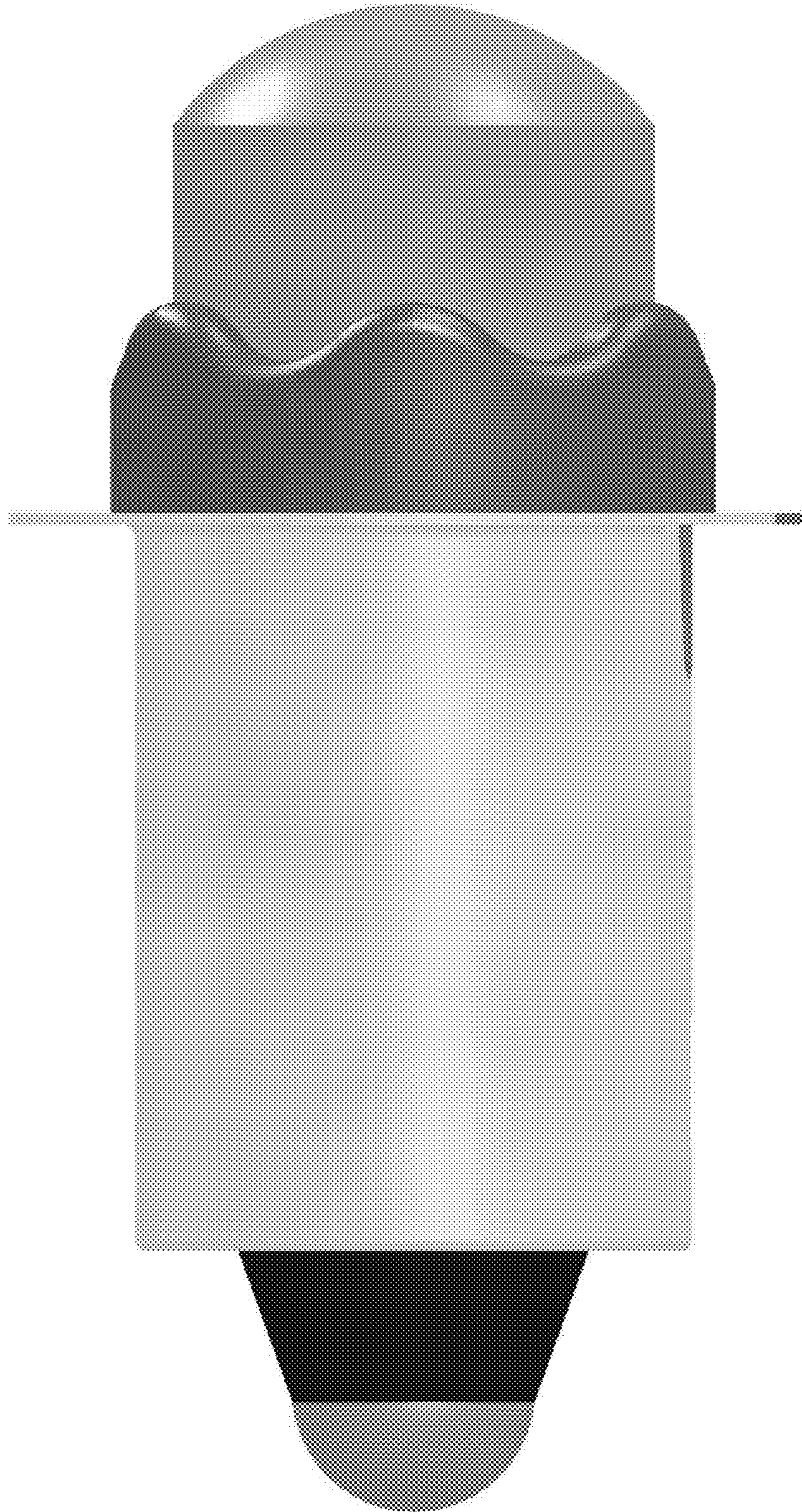


FIG. 17

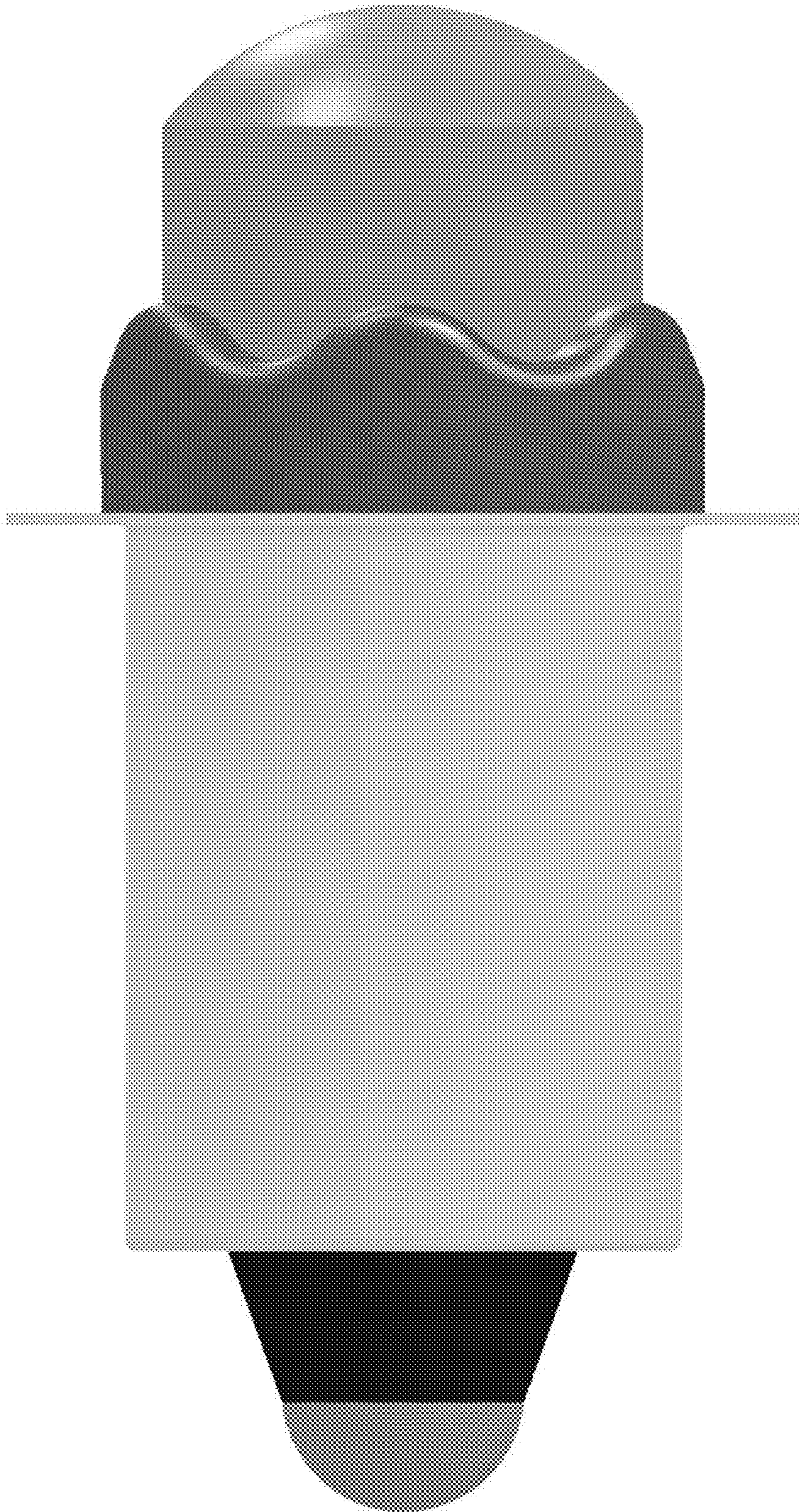


FIG. 18

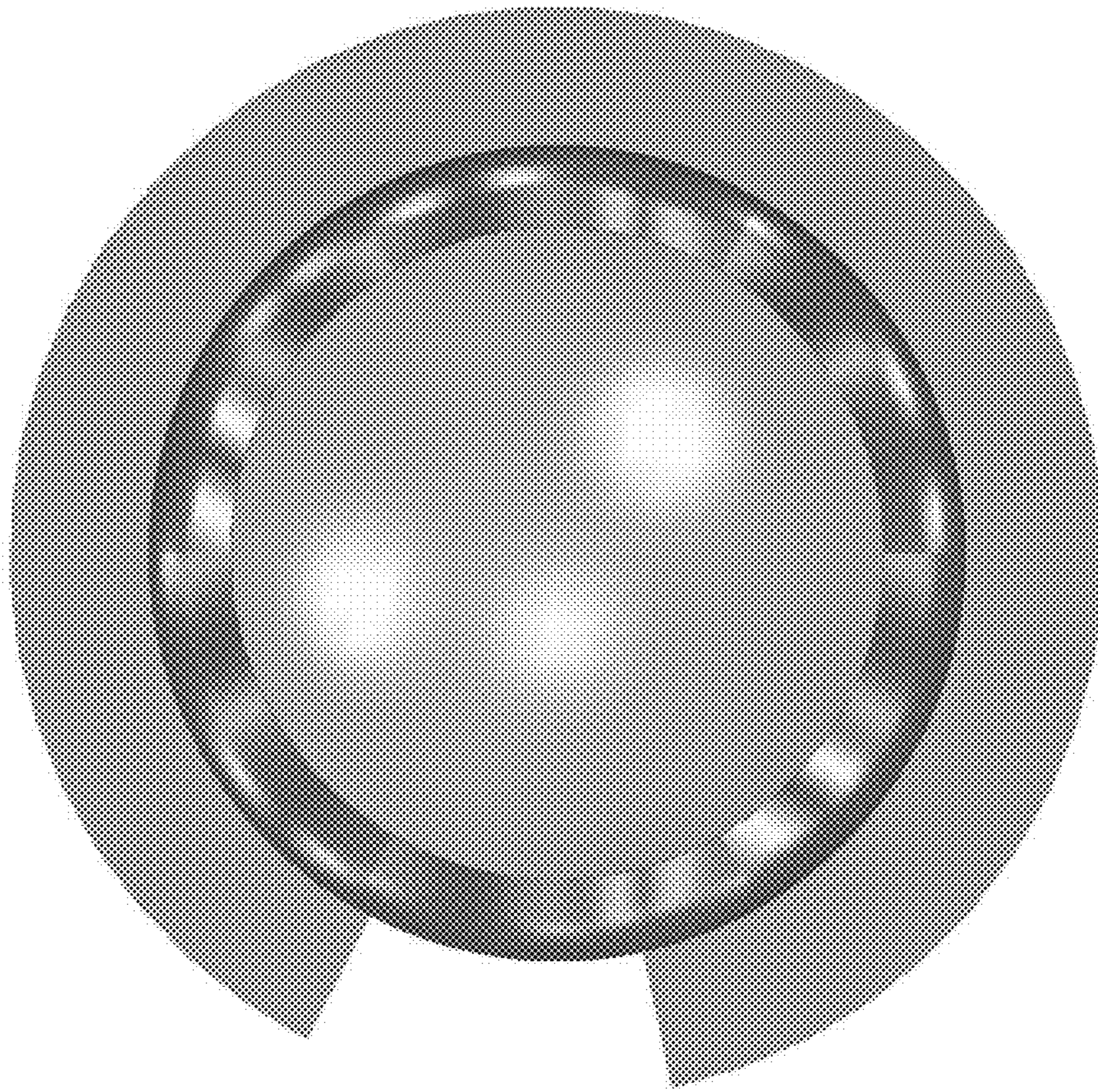


FIG. 19

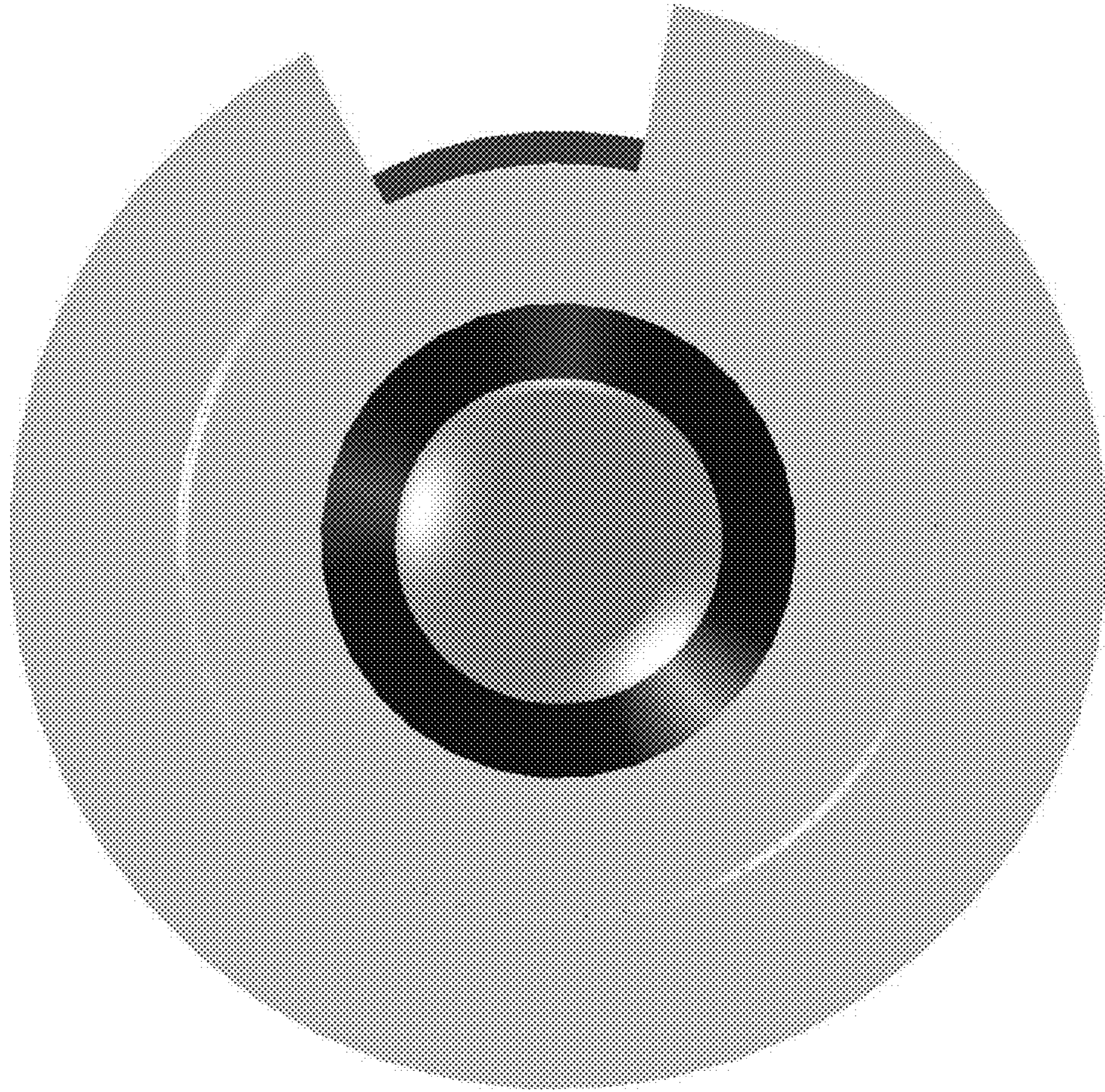


FIG. 20

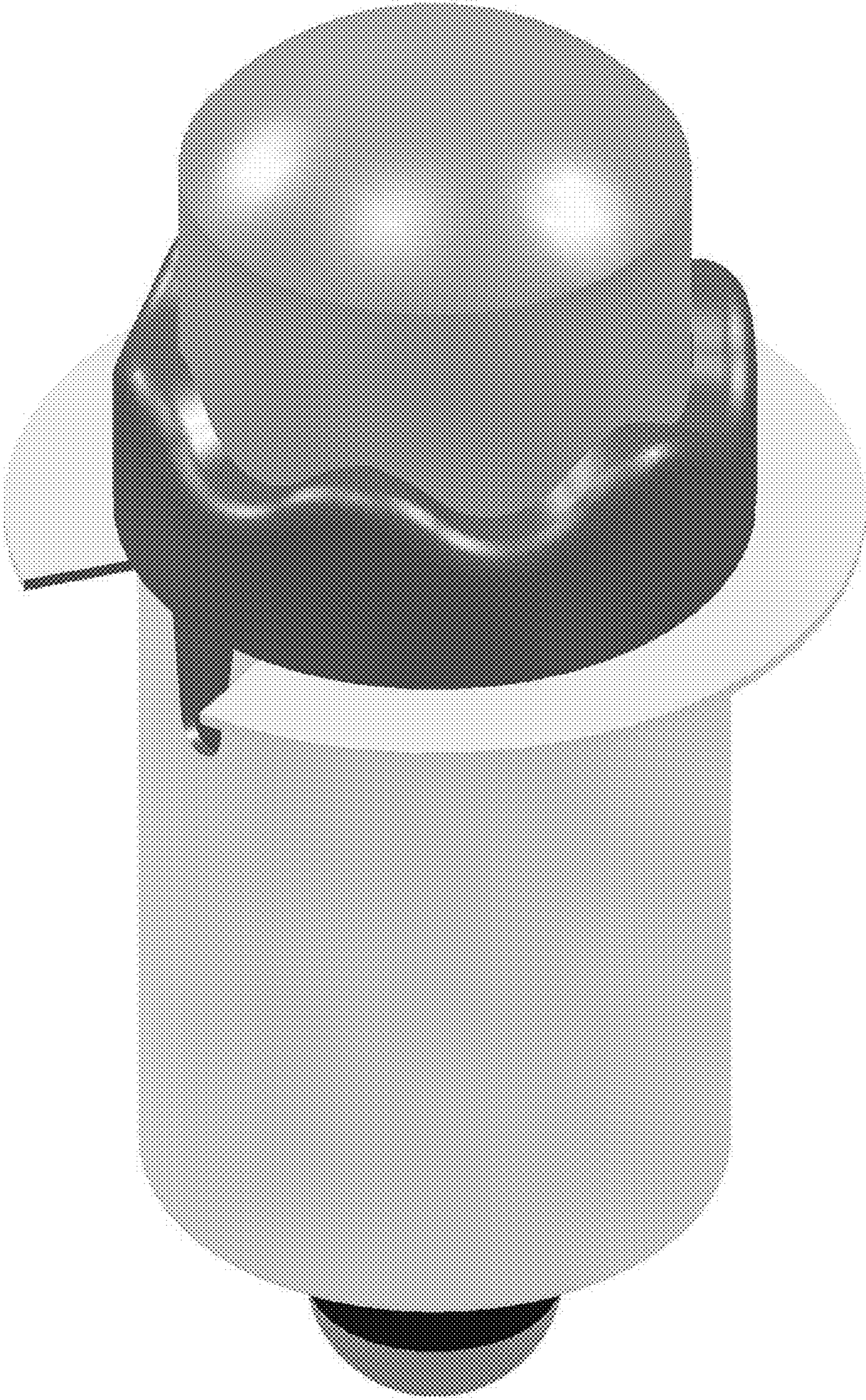


FIG. 21