



US00D685929S

(12) **United States Design Patent**  
**Zetsche**

(10) **Patent No.:** **US D685,929 S**  
(45) **Date of Patent:** **\*\* Jul. 9, 2013**

(54) **LED LAMP**

(75) Inventor: **Reinhard Zetsche**, München (DE)

(73) Assignee: **Ledon Lighting GmbH**, Dornbirn (AT)

(\*\*) Term: **14 Years**

(21) Appl. No.: **29/398,596**

(22) Filed: **Aug. 2, 2011**

(30) **Foreign Application Priority Data**

Feb. 3, 2011 (EM) ..... 001 258 123

(51) **LOC (9) Cl.** ..... **26-04**

(52) **U.S. Cl.**  
USPC ..... **D26/2**

(58) **Field of Classification Search**  
USPC ..... D26/1-4; 313/313, 315, 316, 317,  
313/318, 493; 315/52, 53, 56, 57, 58  
See application file for complete search history.

(56) **References Cited**

U.S. PATENT DOCUMENTS

|              |        |                   |       |       |
|--------------|--------|-------------------|-------|-------|
| D443,703 S * | 6/2001 | Sood              | ..... | D26/2 |
| D506,840 S * | 6/2005 | Van de Ven et al. | ..... | D26/2 |
| D528,674 S * | 9/2006 | Gonzalez          | ..... | D26/2 |
| D538,953 S * | 3/2007 | Mama              | ..... | D26/2 |
| D540,961 S * | 4/2007 | Hrubowchak et al. | ..... | D26/2 |
| D550,864 S * | 9/2007 | Hernandez et al.  | ..... | D26/2 |

\* cited by examiner

*Primary Examiner* — Marcus Jackson

(74) *Attorney, Agent, or Firm* — Marshall, Gerstein & Borun LLP

(57) **CLAIM**

The ornamental design for an LED lamp, as shown.

**DESCRIPTION**

FIG. 1 is a perspective view of an LED lamp that has the design.

FIG. 2 is a top plan view of the LED lamp.

FIG. 3 is a bottom plan view.

FIG. 4 is a side elevation view.

FIG. 5 is a side elevation view with the LED lamp rotated 90 degrees with respect to the position of the LED lamp in the prior figure.

FIG. 6 is a side elevation view with the LED lamp rotated 90 degrees with respect to the position of the LED lamp in the prior figure.

FIG. 7 is a side elevation view with the LED lamp rotated 90 degrees with respect to the position of the LED lamp in the prior figure.

FIG. 8 is a perspective view of an LED lamp that has another embodiment of the design.

FIG. 9 is a top plan view of the LED lamp.

FIG. 10 is a bottom plan view.

FIG. 11 is a side elevation view.

FIG. 12 is a side elevation view with the LED lamp rotated 90 degrees with respect to the position of the LED lamp in the prior figure.

FIG. 13 is a side elevation view with the LED lamp rotated 90 degrees with respect to the position of the LED lamp in the prior figure.

FIG. 14 is a side elevation view with the LED lamp rotated 90 degrees with respect to the position of the LED lamp in the prior figure.

FIG. 15 is a perspective view of an LED lamp that has another embodiment of the design.

FIG. 16 is a top plan view of the LED lamp.

FIG. 17 is a bottom plan view.

FIG. 18 is a side elevation view.

FIG. 19 is a side elevation view with the LED lamp rotated 90 degrees with respect to the position of the LED lamp in the prior figure.

FIG. 20 is a side elevation view with the LED lamp rotated 90 degrees with respect to the position of the LED lamp in the prior figure.

FIG. 21 is a side elevation view with the LED lamp rotated 90 degrees with respect to the position of the LED lamp in the prior figure.

FIG. 22 is a perspective view of an LED lamp that has another embodiment of the design.

FIG. 23 is a top plan view of the LED lamp.

FIG. 24 is a bottom plan view.

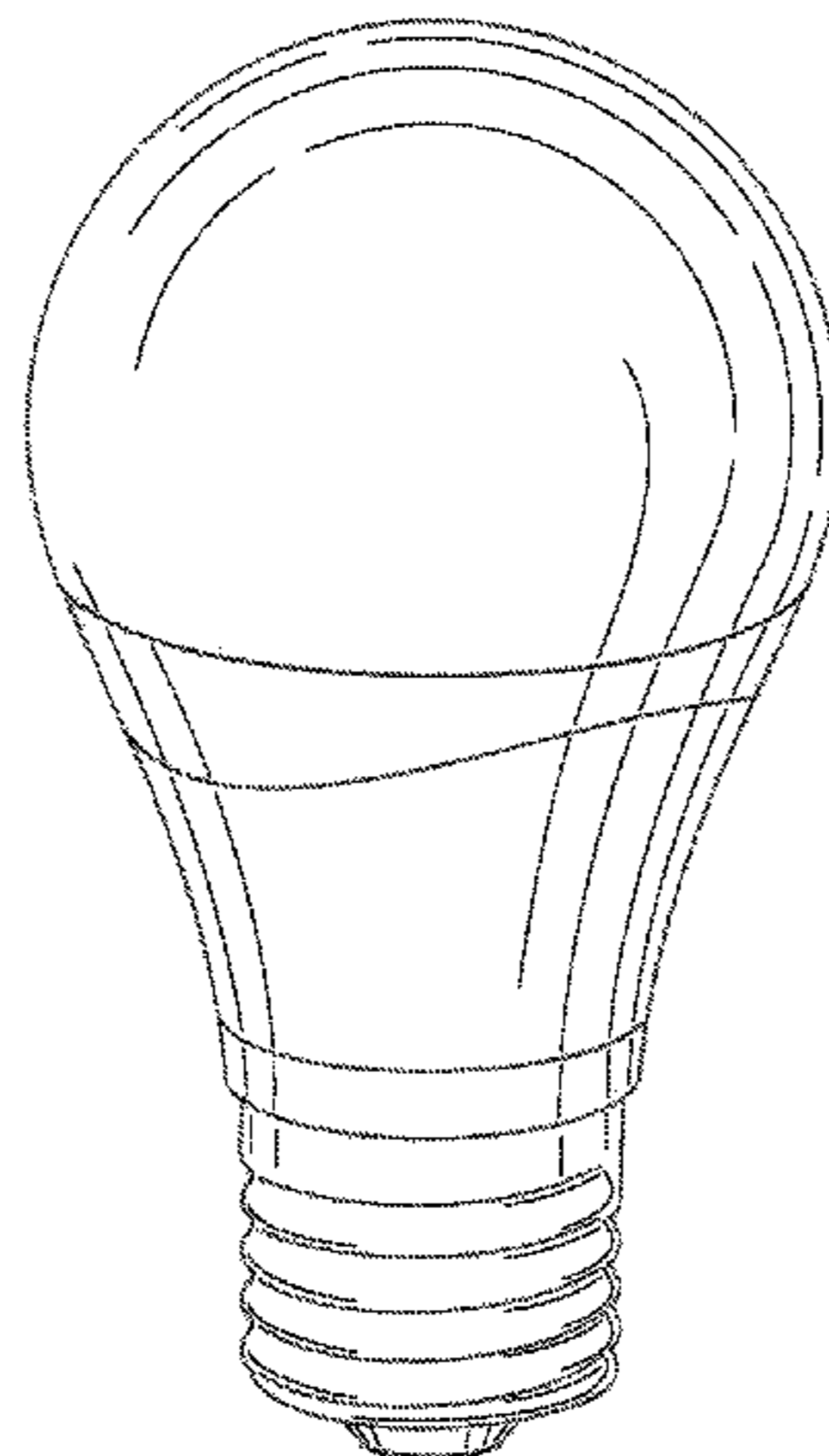


FIG. 25 is a side elevation view.

FIG. 26 is a side elevation view with the LED lamp rotated 90 degrees with respect to the position of the LED lamp in the prior figure.

FIG. 27 is a side elevation view with the LED lamp rotated 90 degrees with respect to the position of the LED lamp in the prior figure.

FIG. 28 is a side elevation view with the LED lamp rotated 90 degrees with respect to the position of the LED lamp in the prior figure.

FIG. 29 is a perspective view of an LED lamp that has another embodiment of the design.

FIG. 30 is a top plan view of the LED lamp.

FIG. 31 is a bottom plan view.

FIG. 32 is a side elevation view.

FIG. 33 is a side elevation view with the LED lamp rotated 90 degrees with respect to the position of the LED lamp in the prior figure.

FIG. 34 is a side elevation view with the LED lamp rotated 90 degrees with respect to the position of the LED lamp in the prior figure.

FIG. 35 is a side elevation view with the LED lamp rotated 90 degrees with respect to the position of the LED lamp in the prior figure.

FIG. 36 is a perspective view of an LED lamp that has another embodiment of the design.

FIG. 37 is a top plan view of the LED lamp.

FIG. 38 is a bottom plan view.

FIG. 39 is a side elevation view.

FIG. 40 is a side elevation view with the LED lamp rotated 90 degrees with respect to the position of the LED lamp in the prior figure.

FIG. 41 is a side elevation view with the LED lamp rotated 90 degrees with respect to the position of the LED lamp in the prior figure.

FIG. 42 is a side elevation view with the LED lamp rotated 90 degrees with respect to the position of the LED lamp in the prior figure.

FIG. 43 is a perspective view of an LED lamp that has another embodiment of the design.

FIG. 44 is a top plan view of the LED lamp.

FIG. 45 is a bottom plan view.

FIG. 46 is a side elevation view.

FIG. 47 is a side elevation view with the LED lamp rotated 90 degrees with respect to the position of the LED lamp in the prior figure.

FIG. 48 is a side elevation view with the LED lamp rotated 90 degrees with respect to the position of the LED lamp in the prior figure.

FIG. 49 is a side elevation view with the LED lamp rotated 90 degrees with respect to the position of the LED lamp in the prior figure.

FIG. 50 is a perspective view of an LED lamp that has another embodiment of the design.

FIG. 51 is a top plan view of the LED lamp.

FIG. 52 is a bottom plan view.

FIG. 53 is a side elevation view.

FIG. 54 is a side elevation view with the LED lamp rotated 90 degrees with respect to the position of the LED lamp in the prior figure.

FIG. 55 is a side elevation view with the LED lamp rotated 90 degrees with respect to the position of the LED lamp in the prior figure; and,

FIG. 56 is a side elevation view with the LED lamp rotated 90 degrees with respect to the position of the LED lamp in the prior figure.

The characteristic feature of the design resides in a latitudinal line and a wavy line around the circumference of an LED lamp.

**1 Claim, 16 Drawing Sheets**

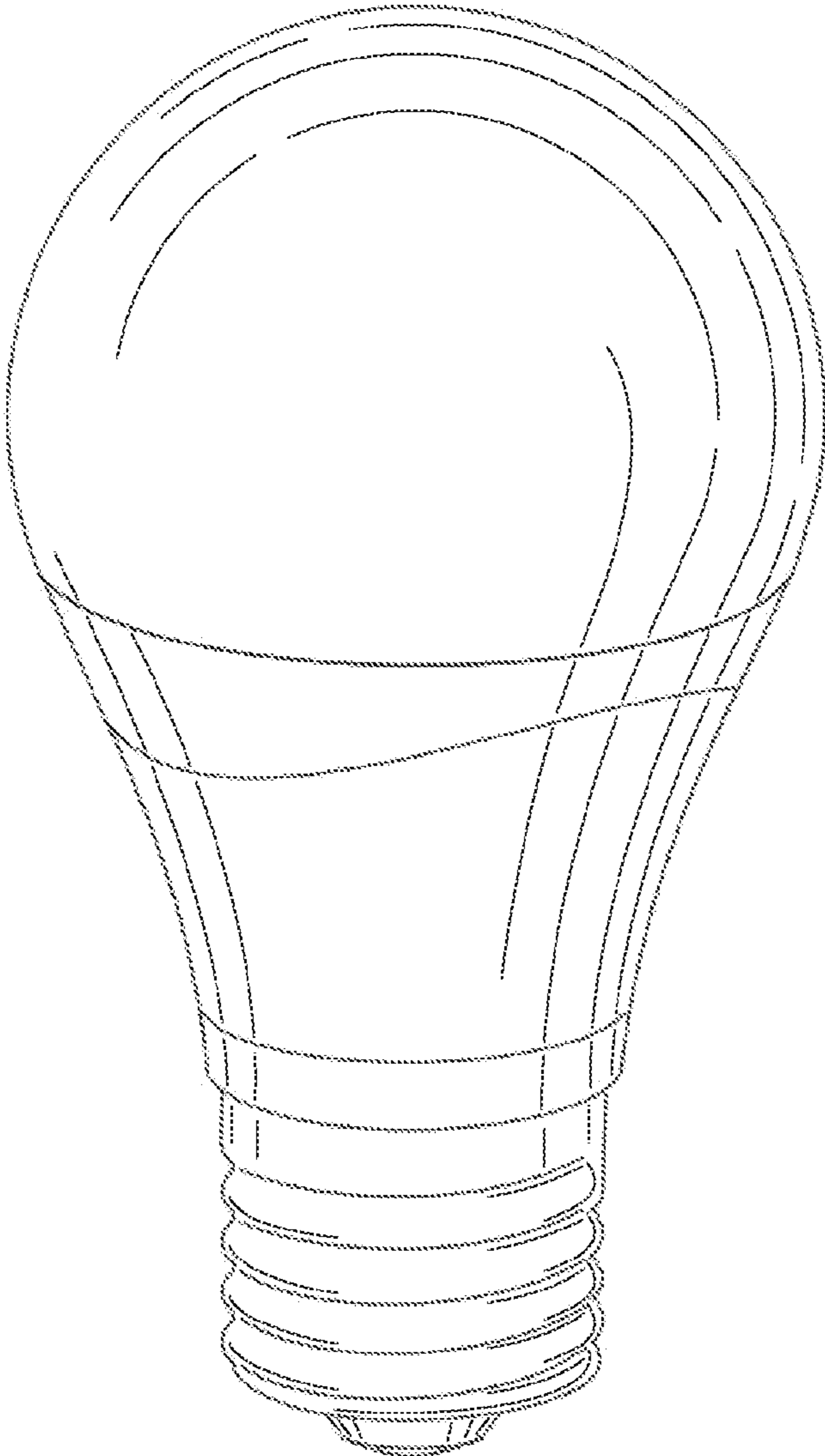


Fig. 1

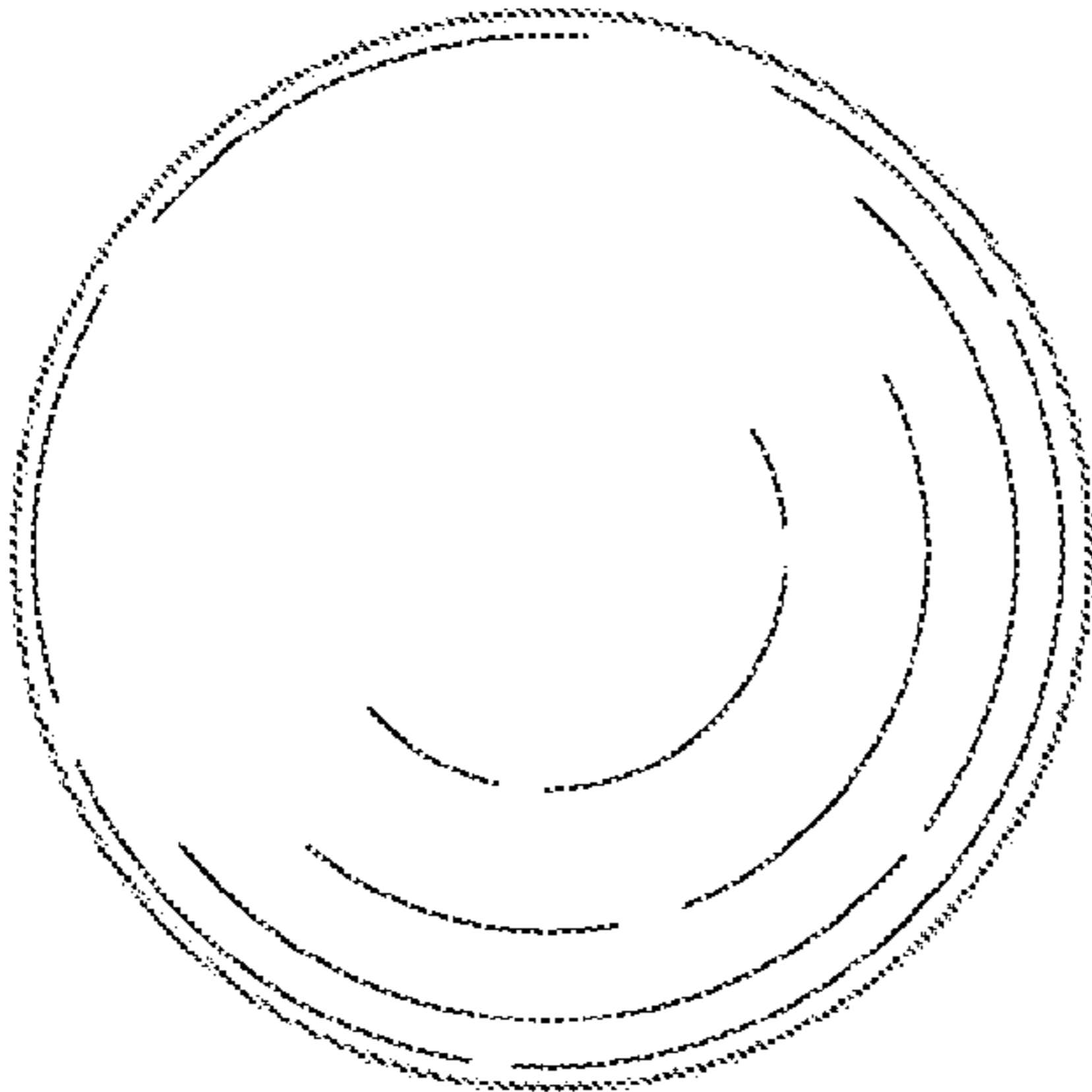


Fig. 2

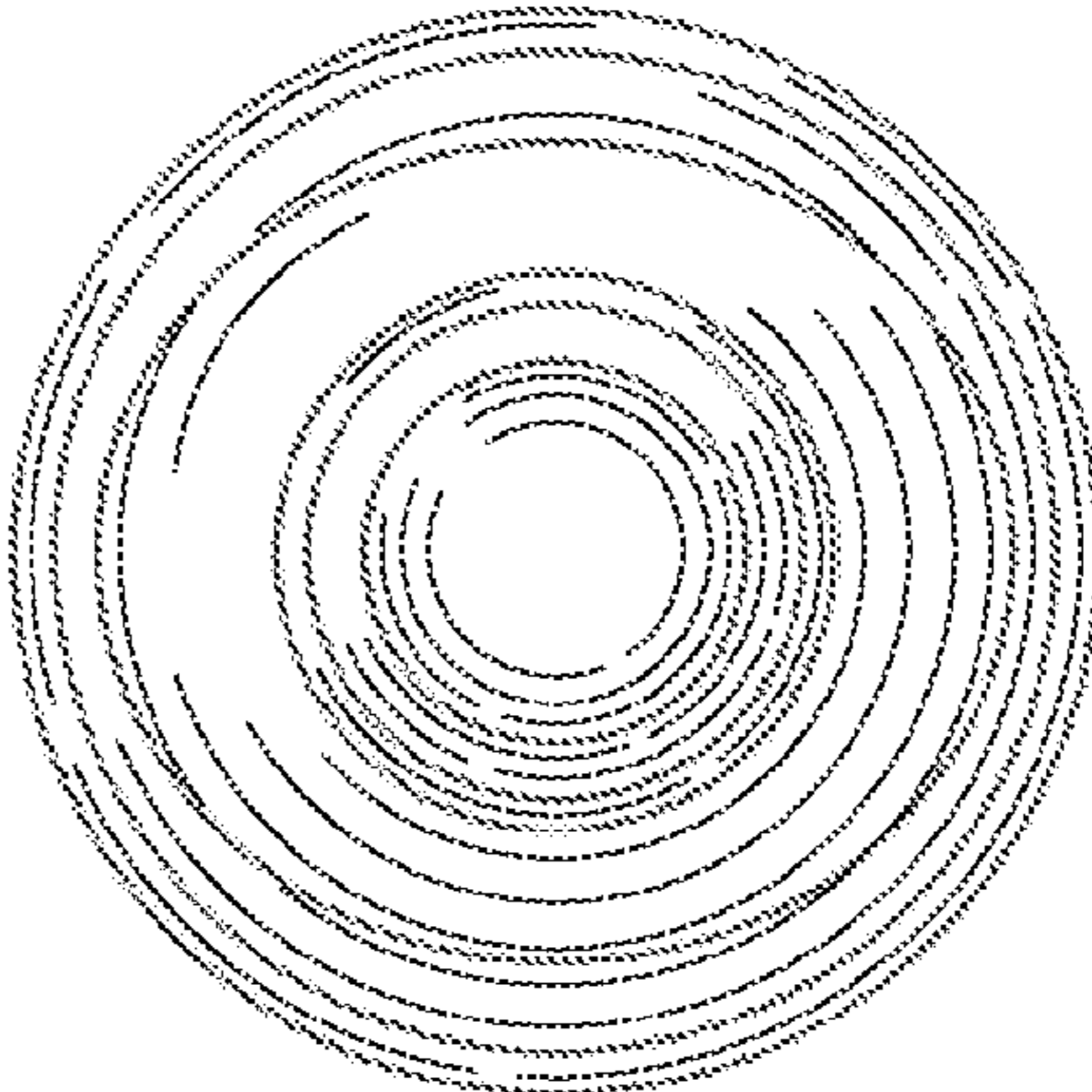


Fig. 3

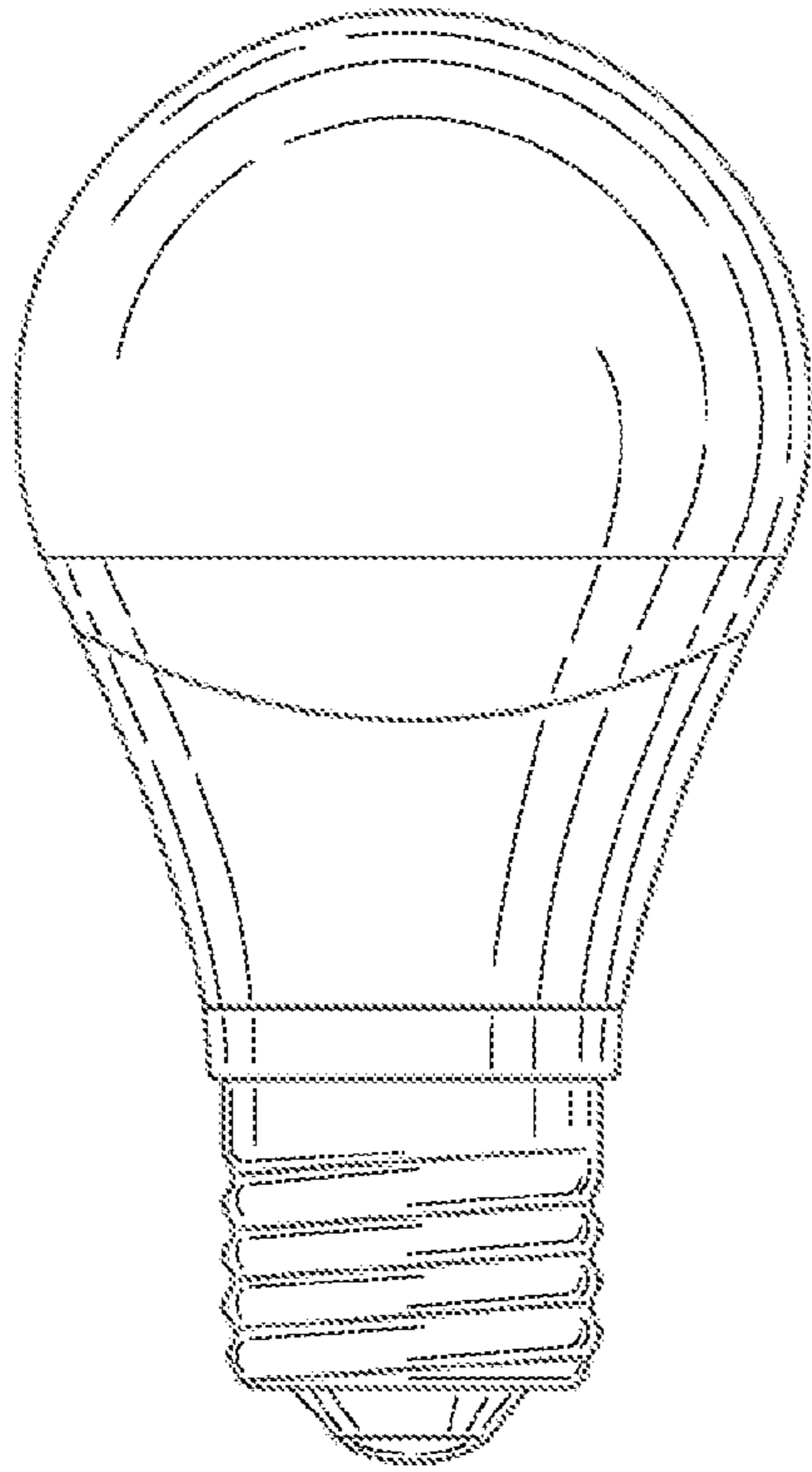


Fig. 4

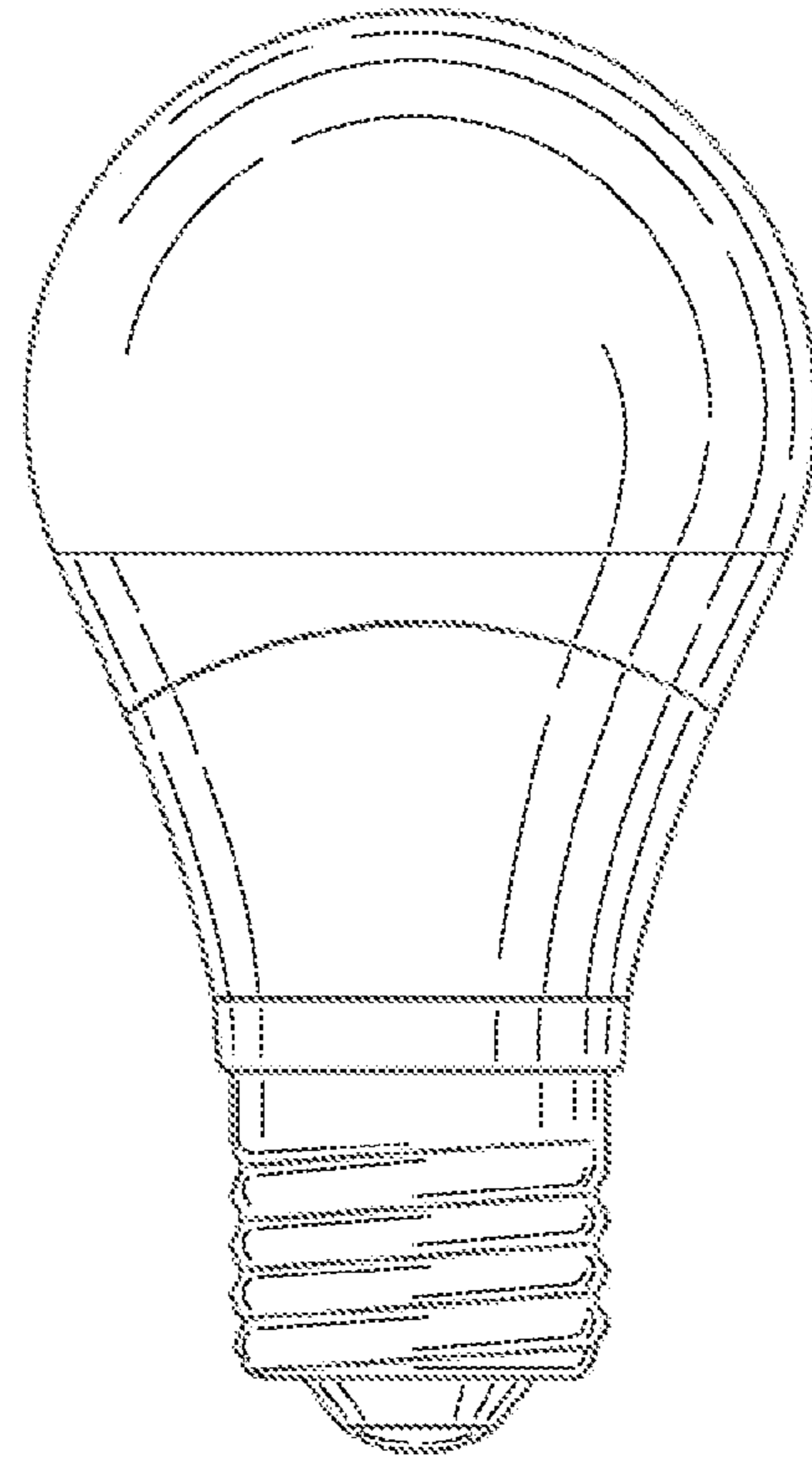


Fig. 5

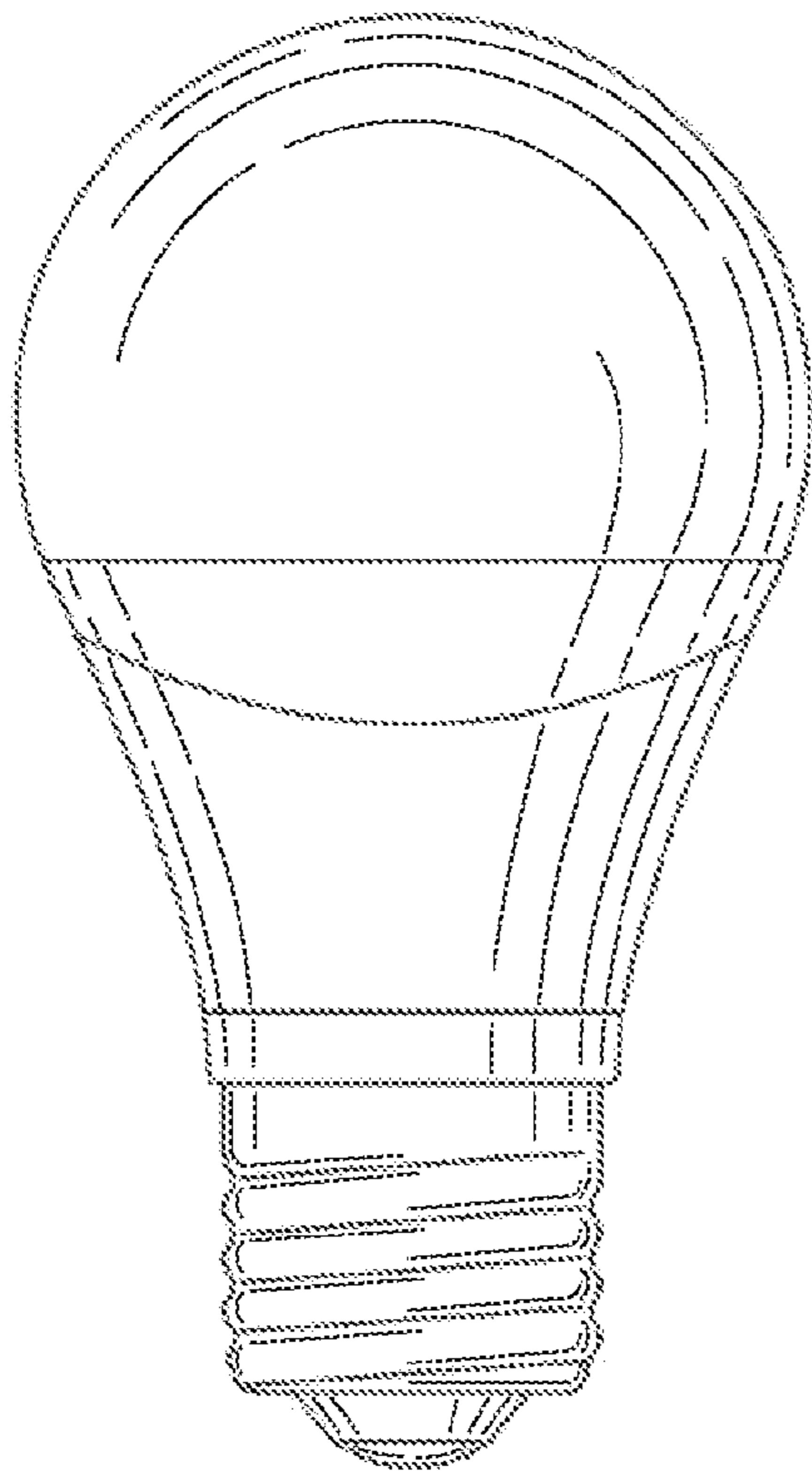


Fig. 6

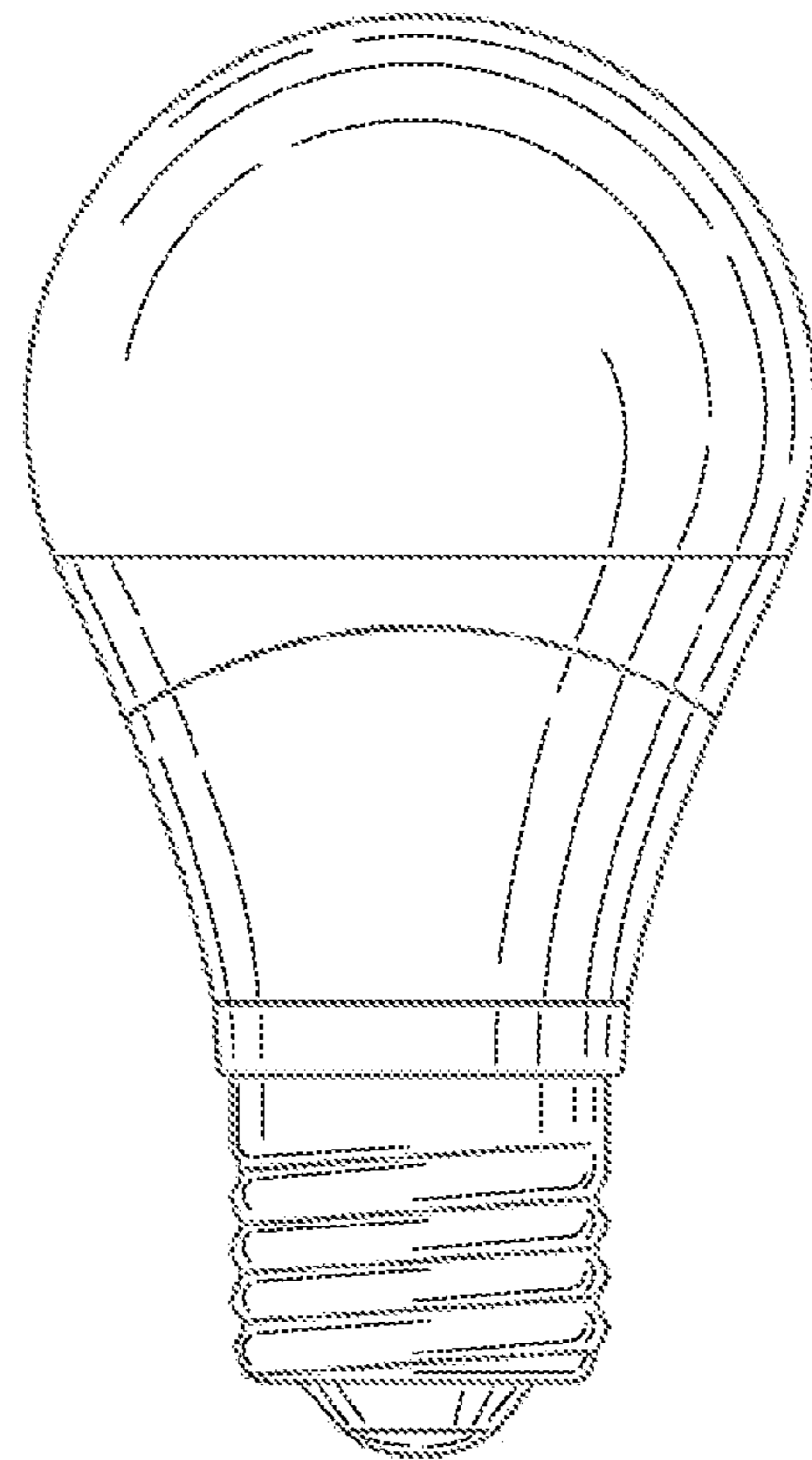


Fig. 7

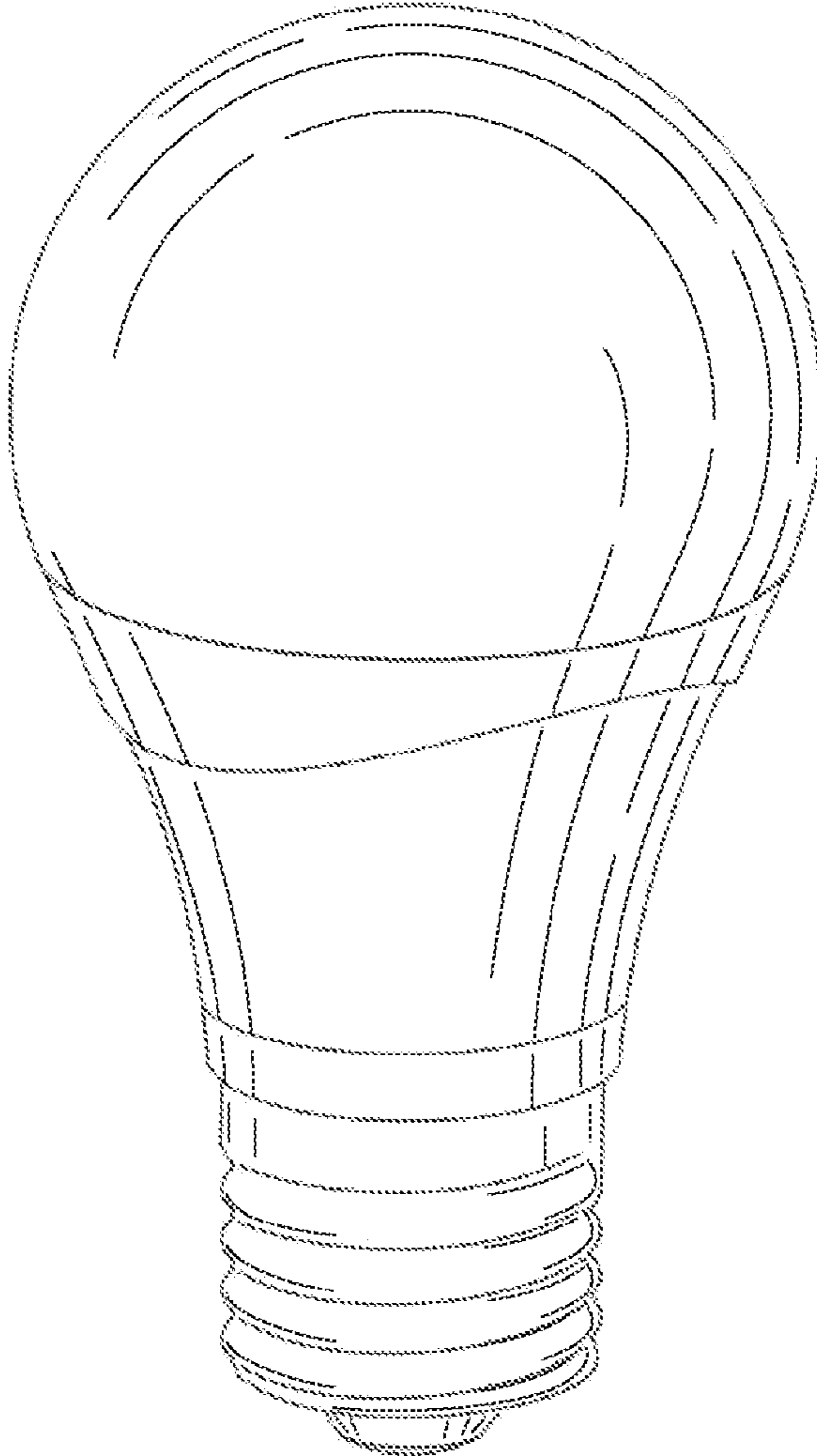


Fig. 8

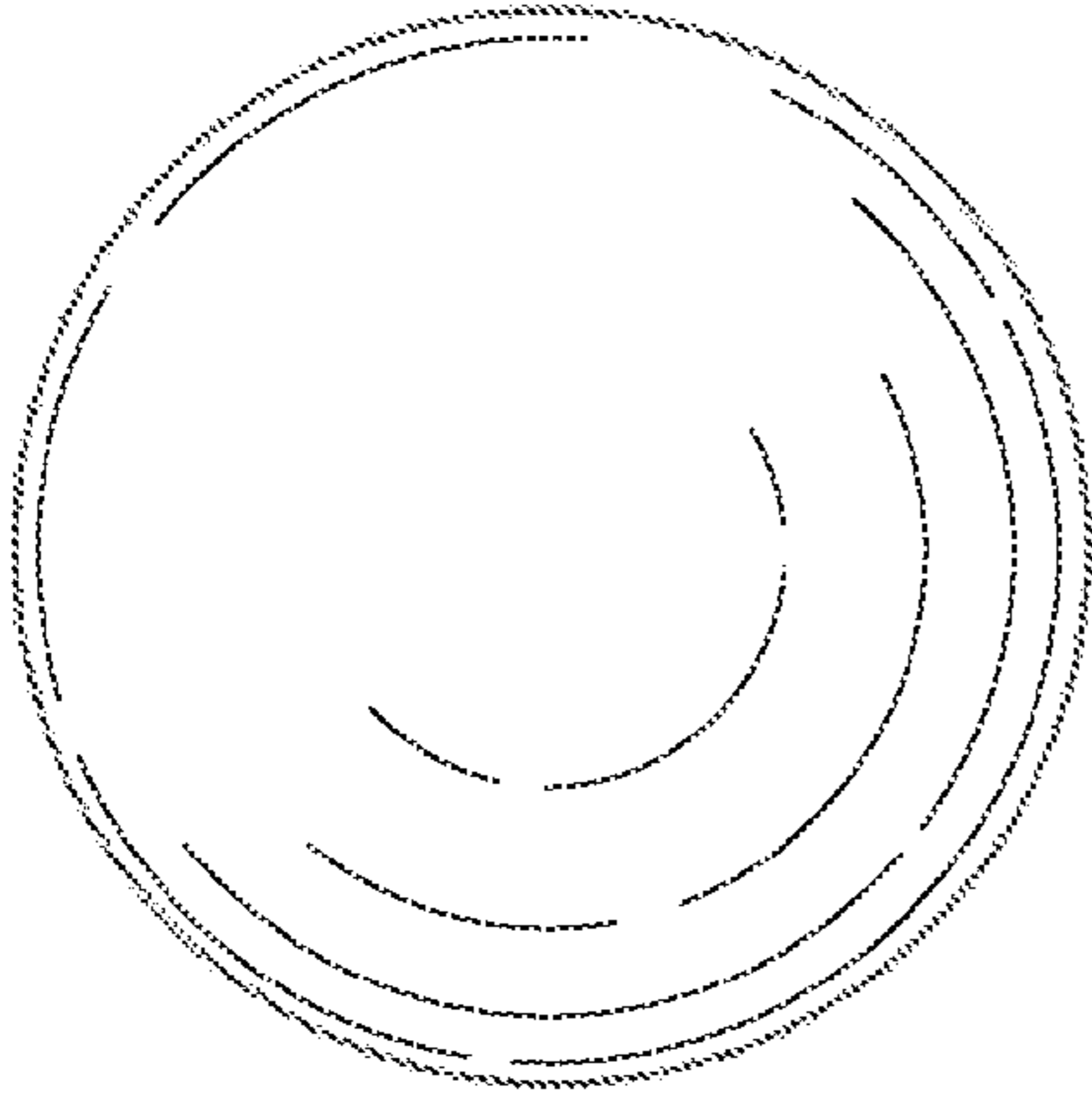


Fig. 9

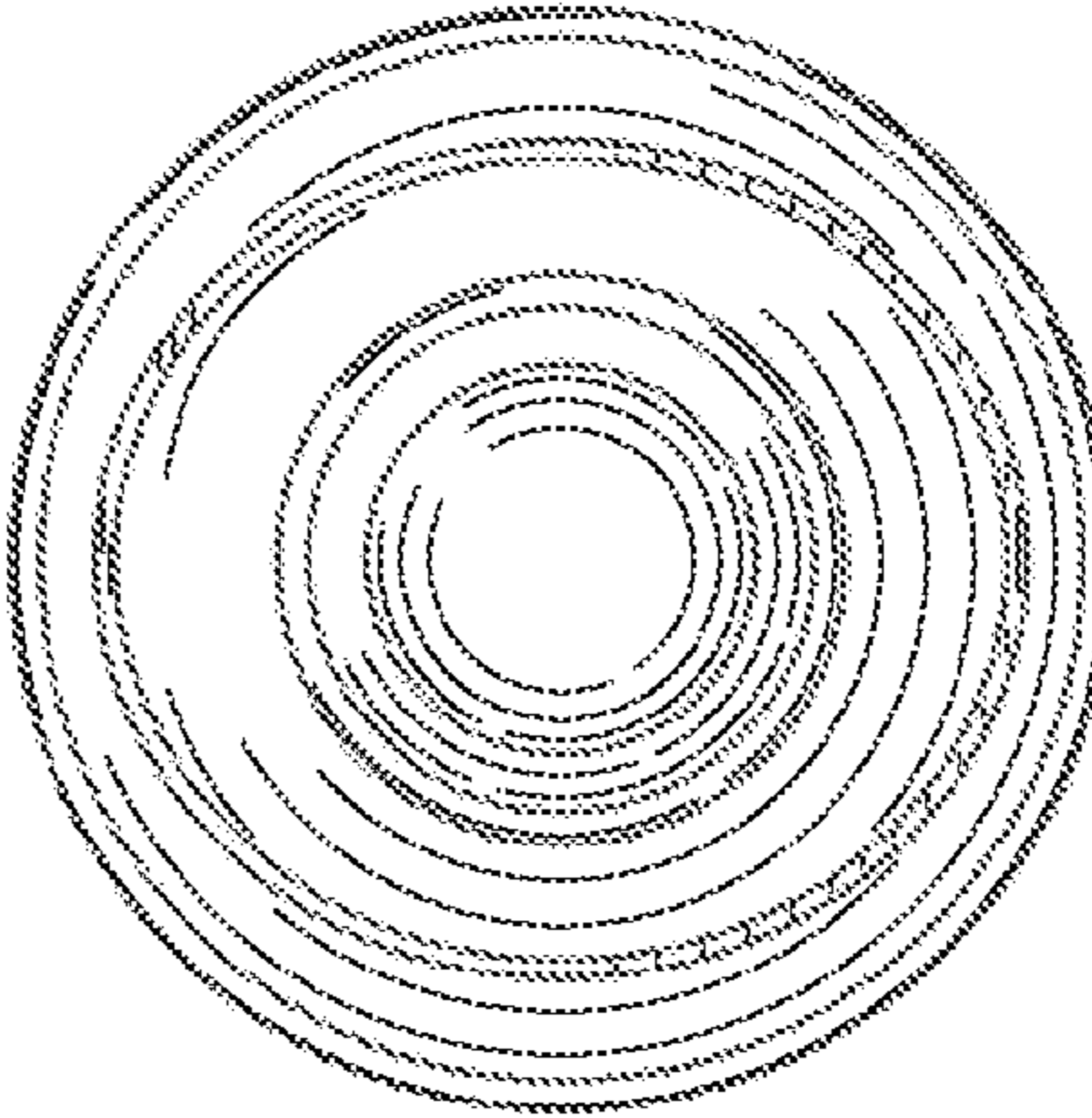


Fig. 10

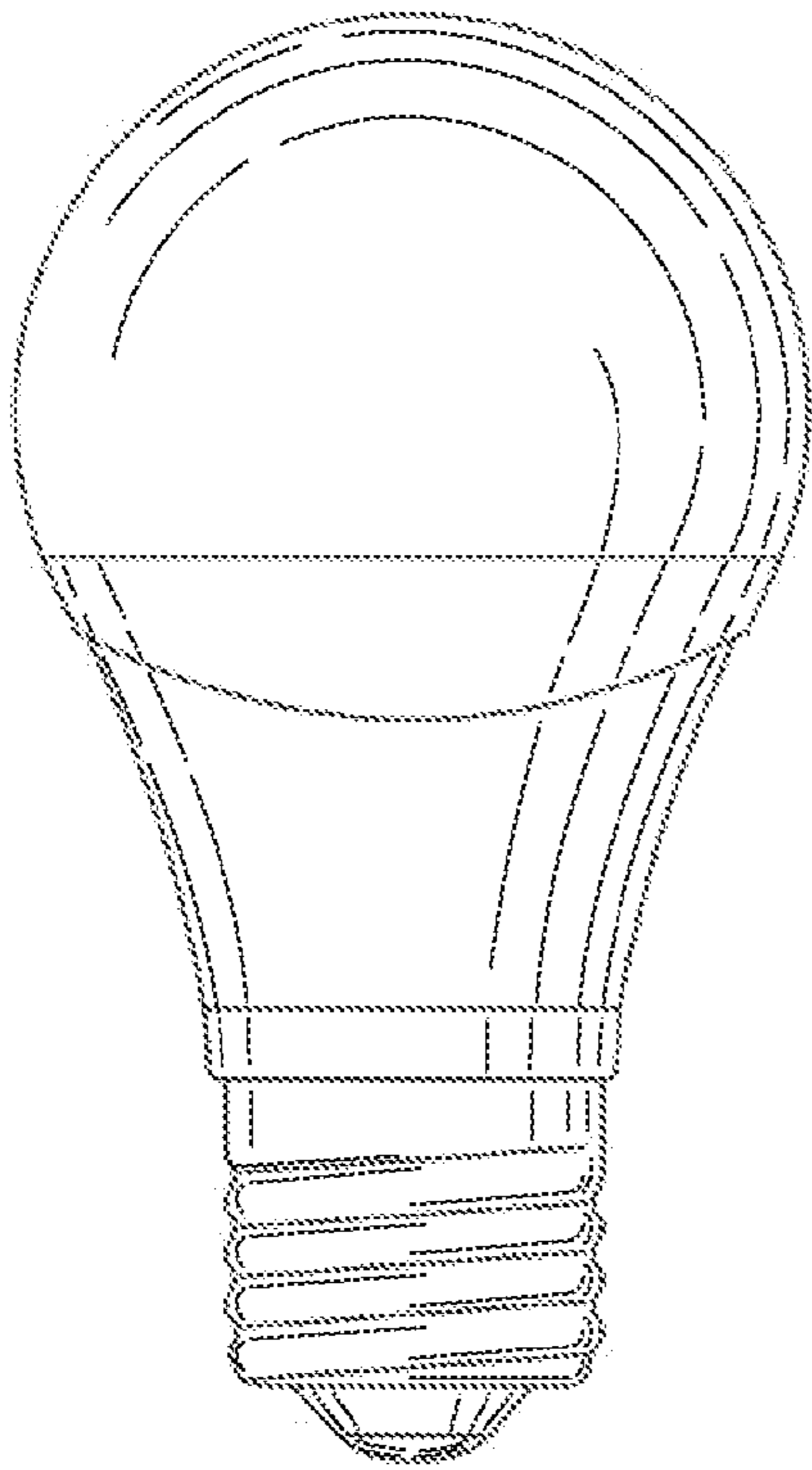


Fig. 11

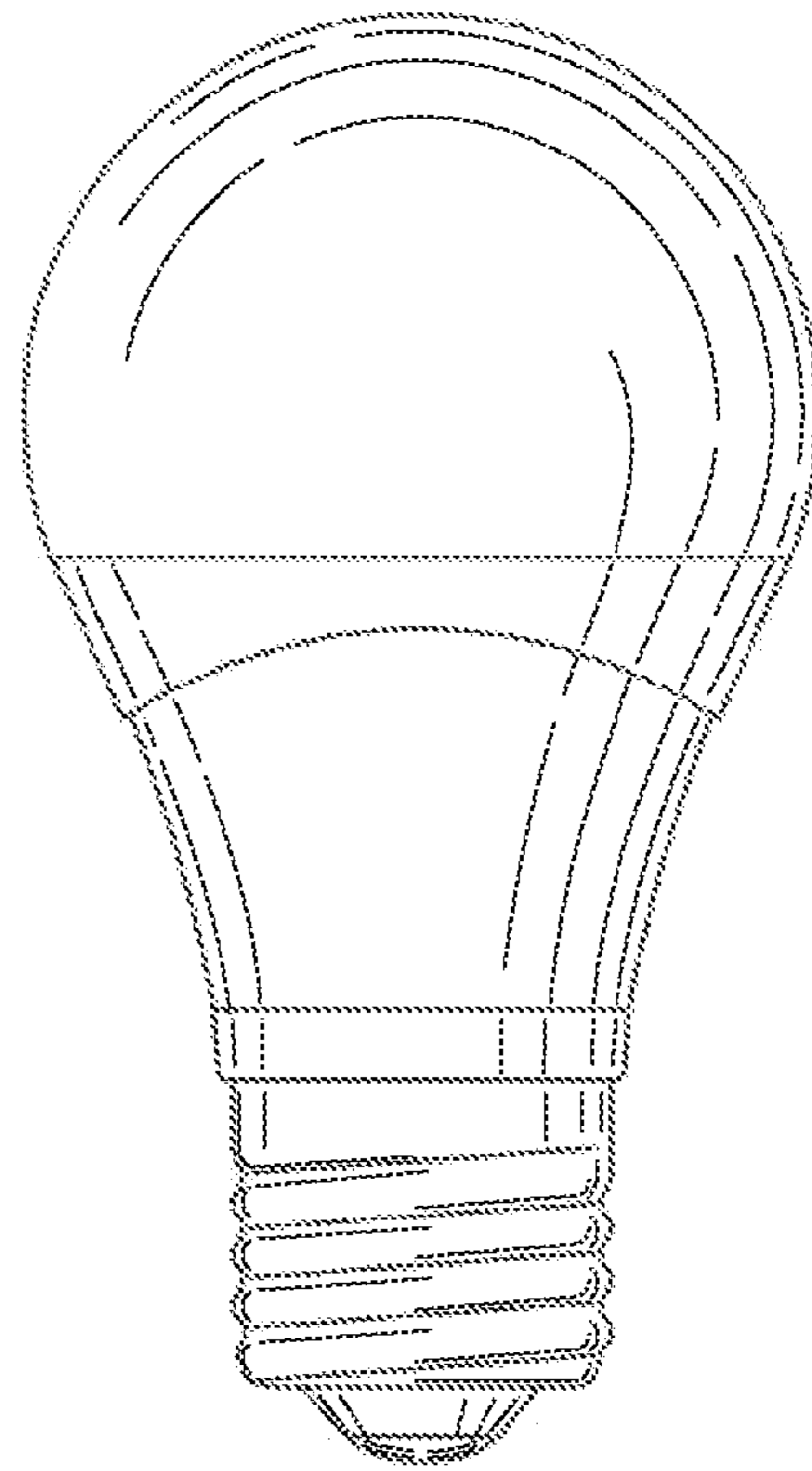


Fig. 12

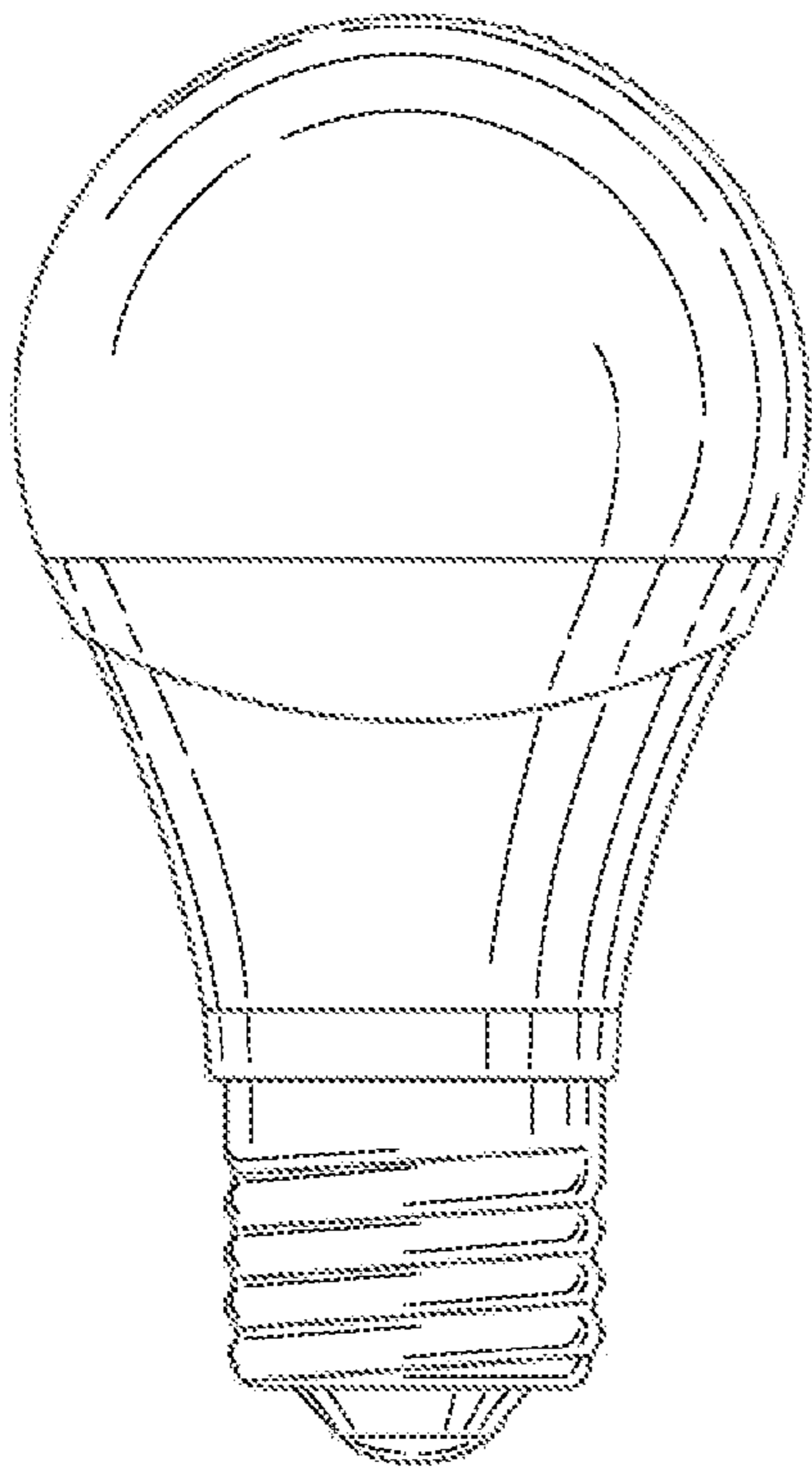


Fig. 13

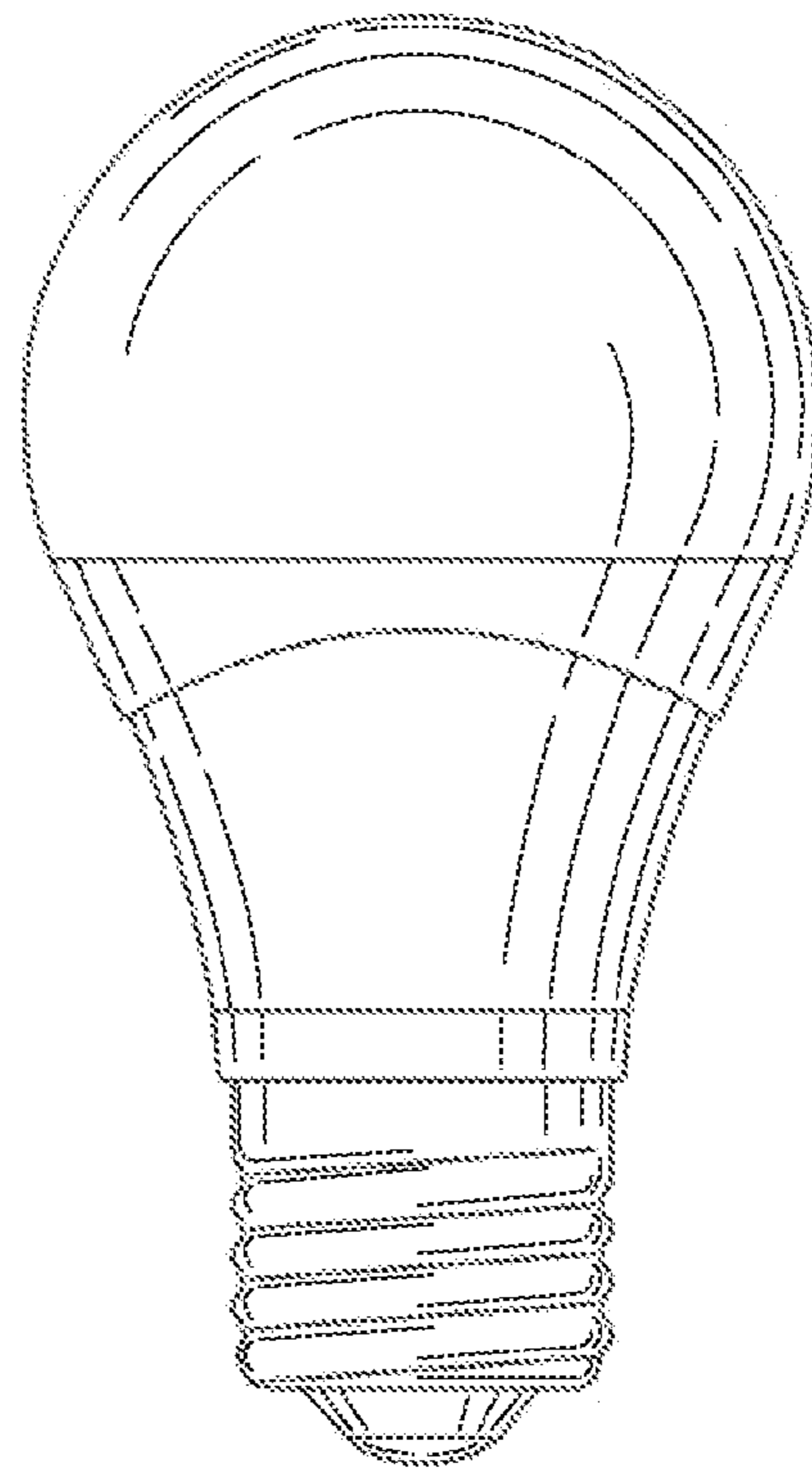


Fig. 14

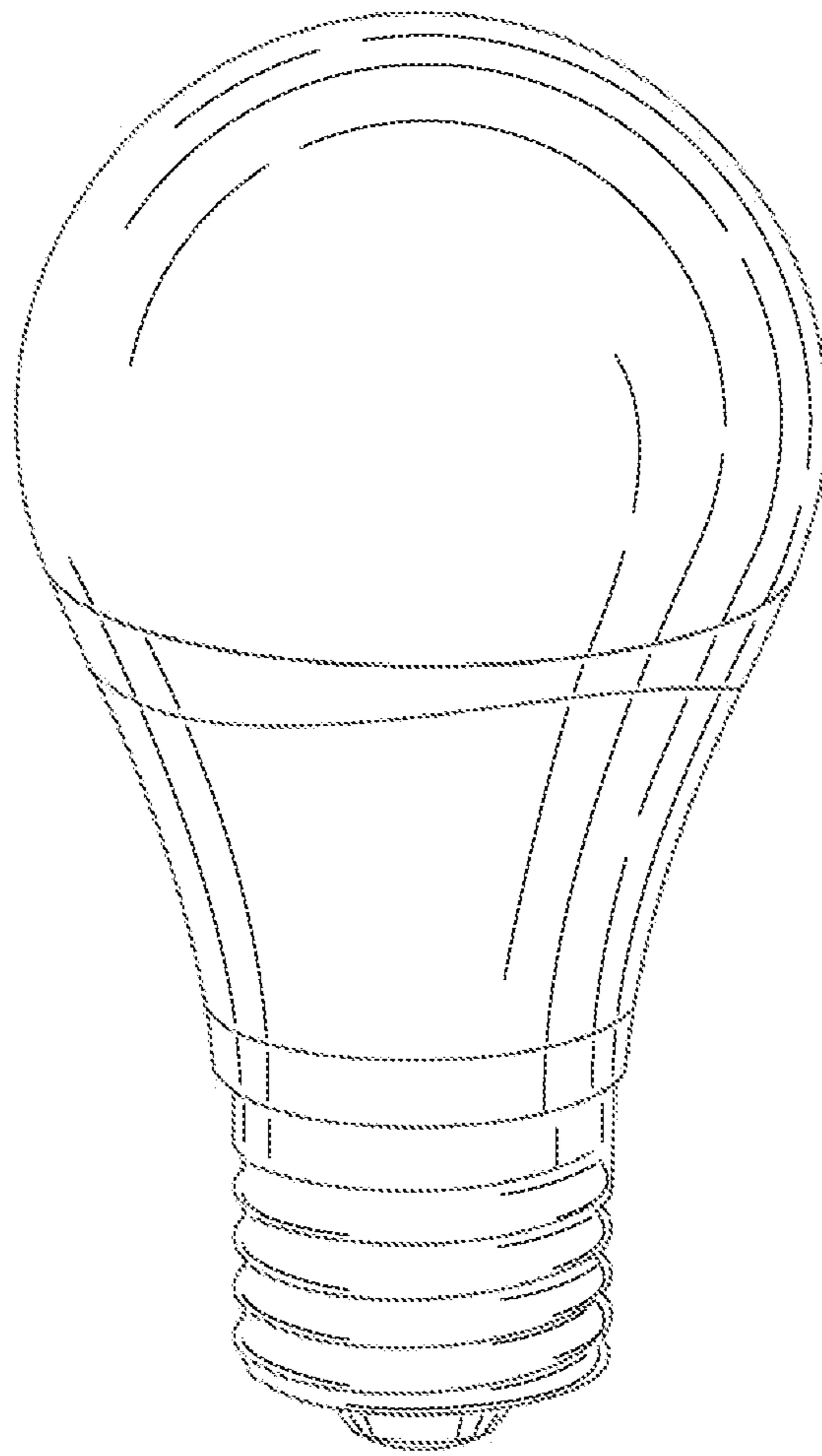


Fig. 15

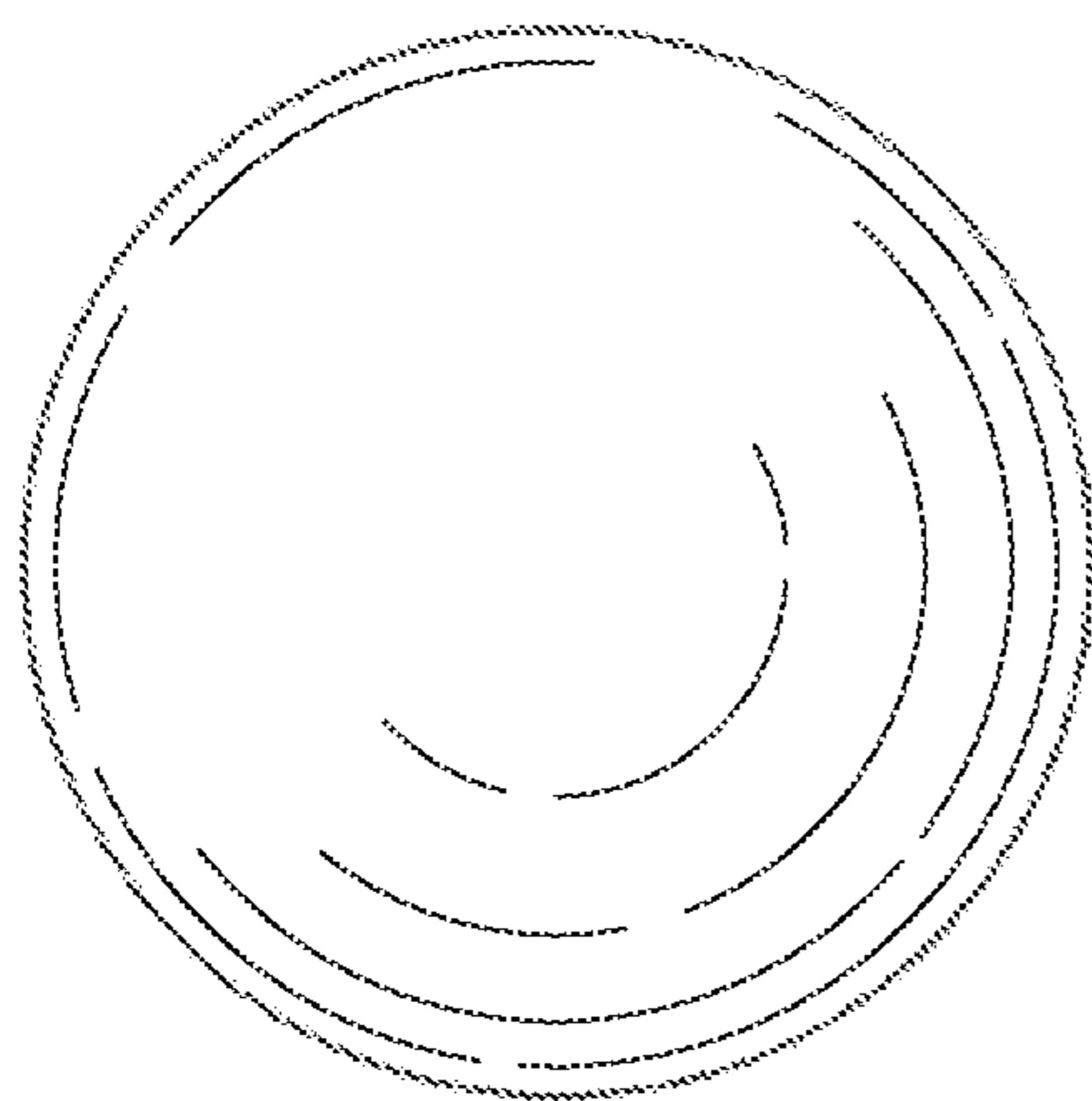


Fig. 16

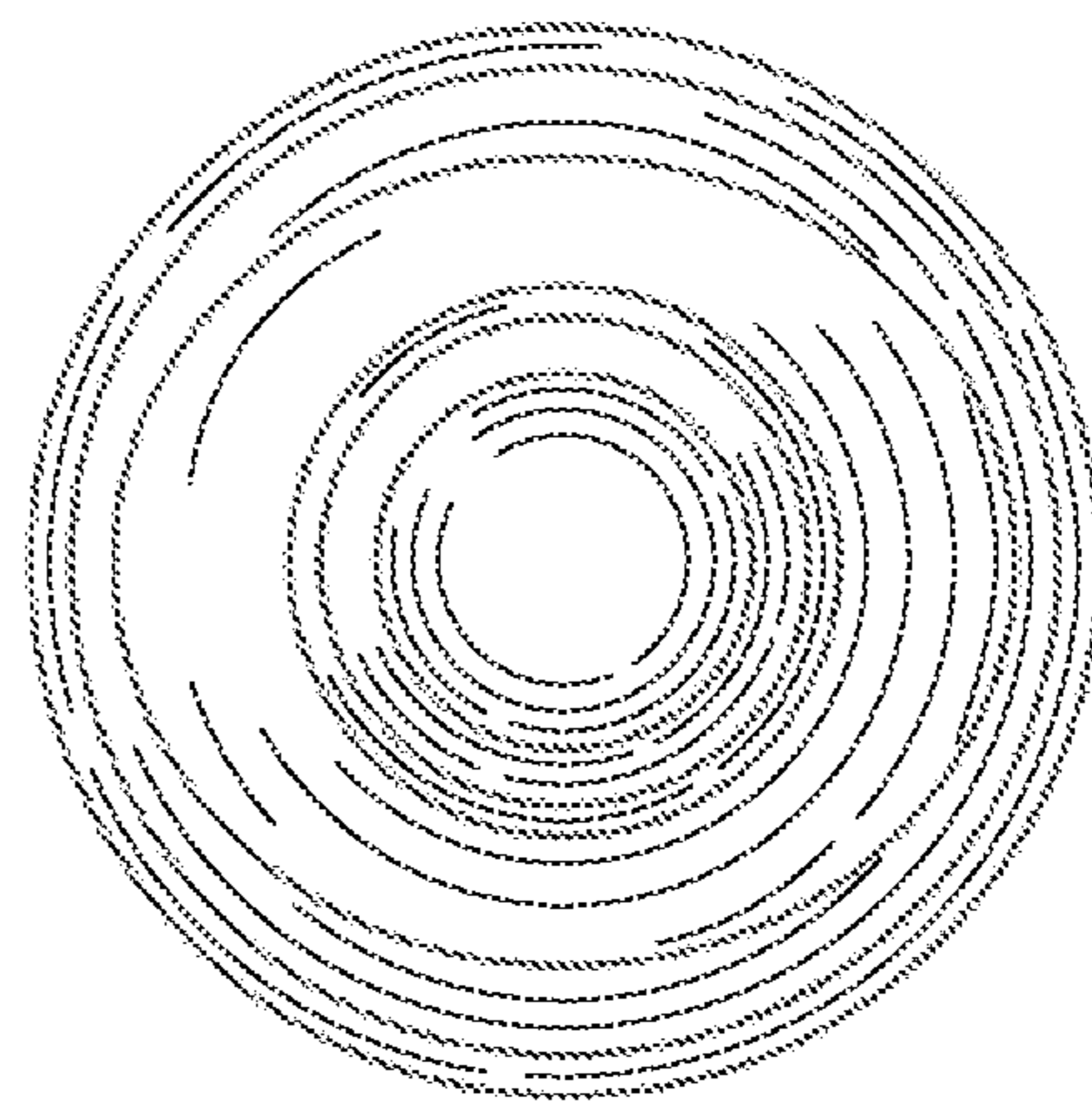


Fig. 17

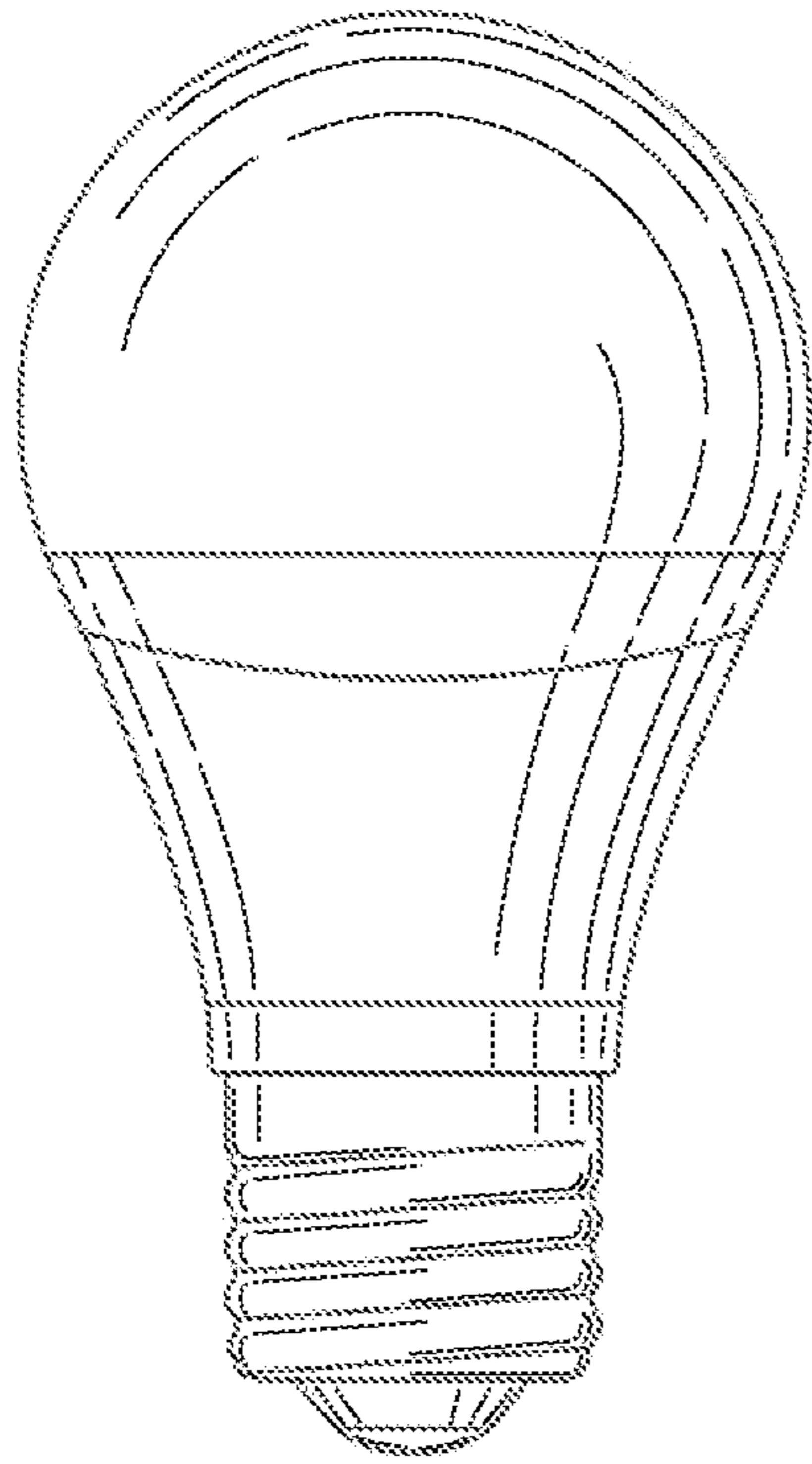


Fig. 18

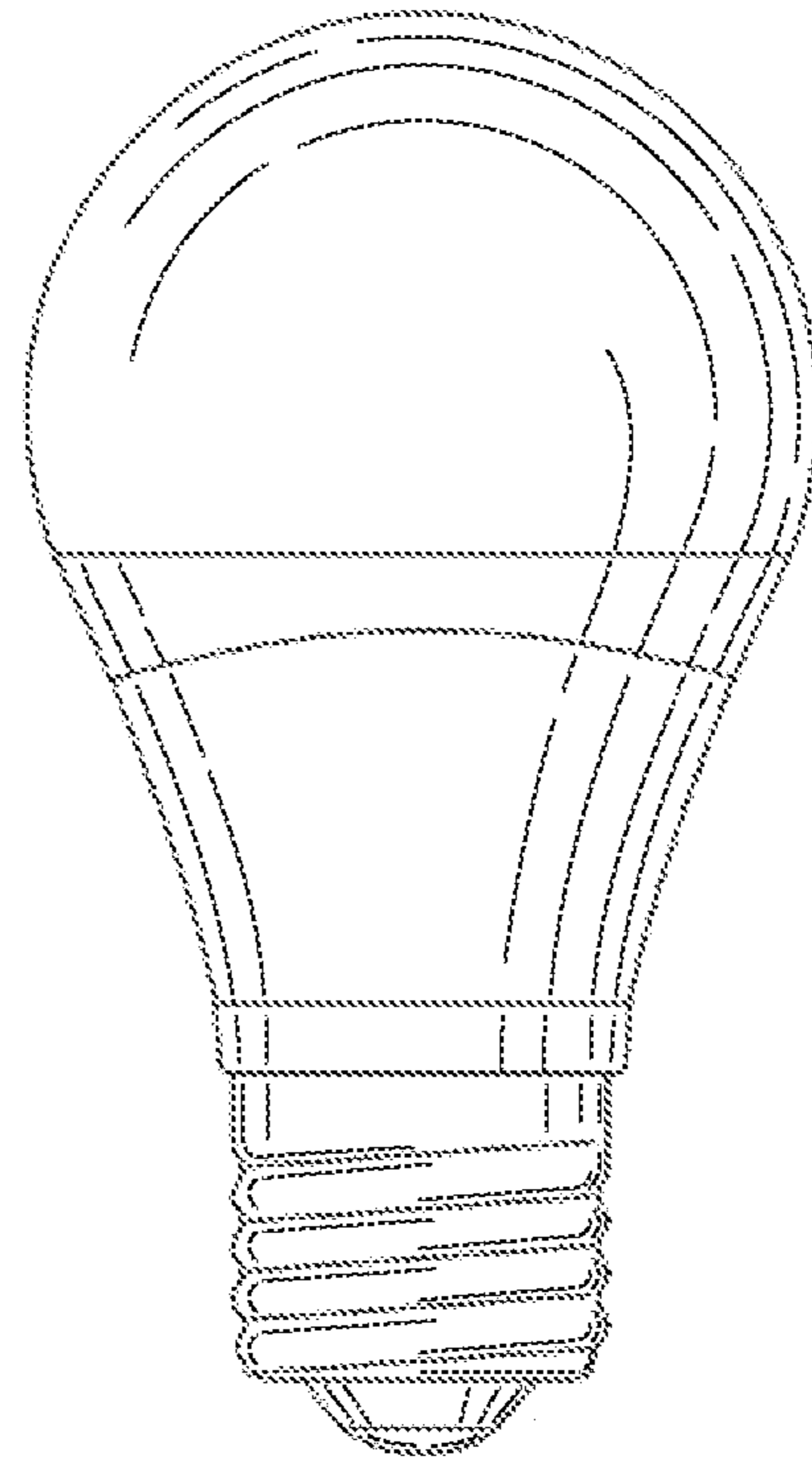


Fig. 19

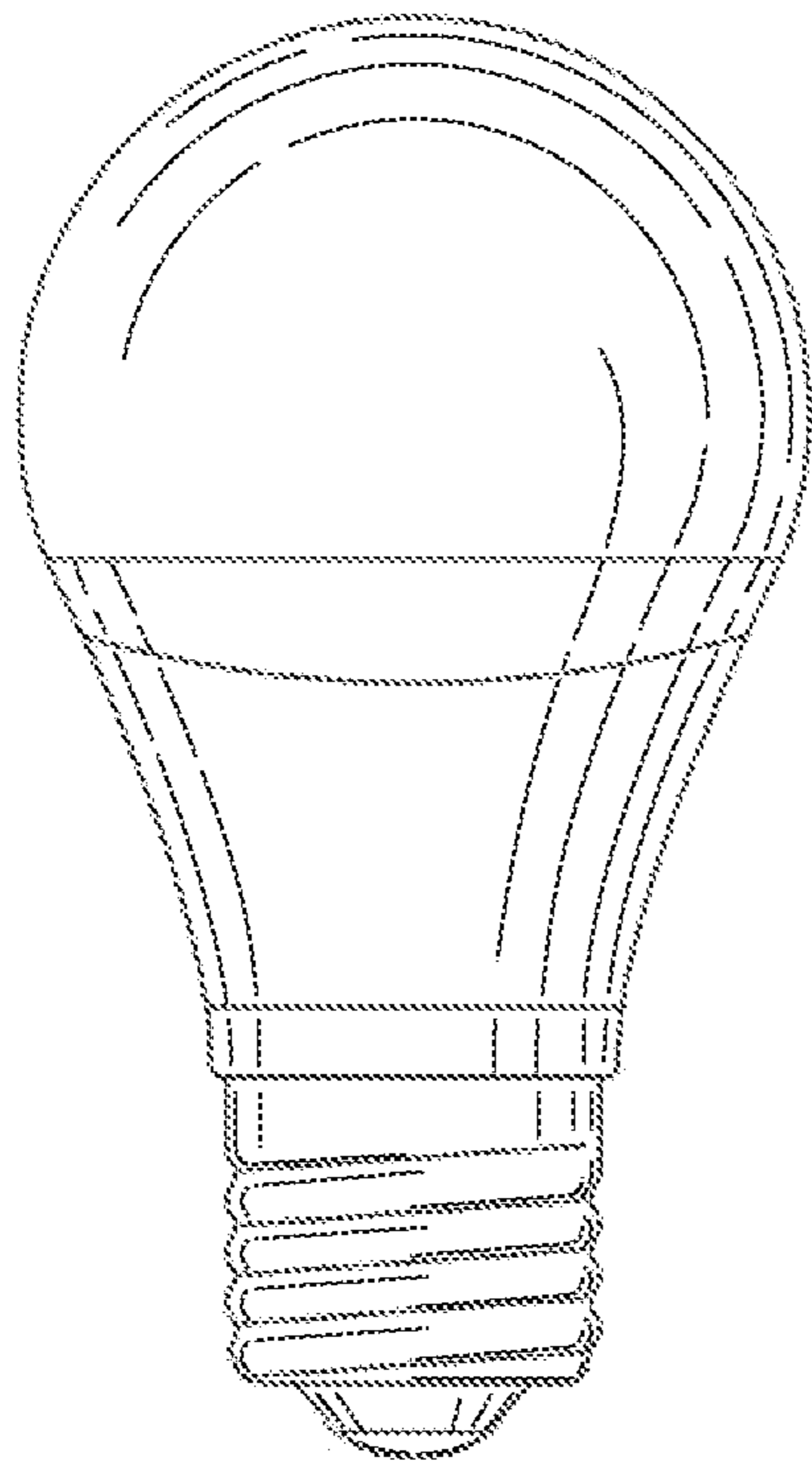


Fig. 20

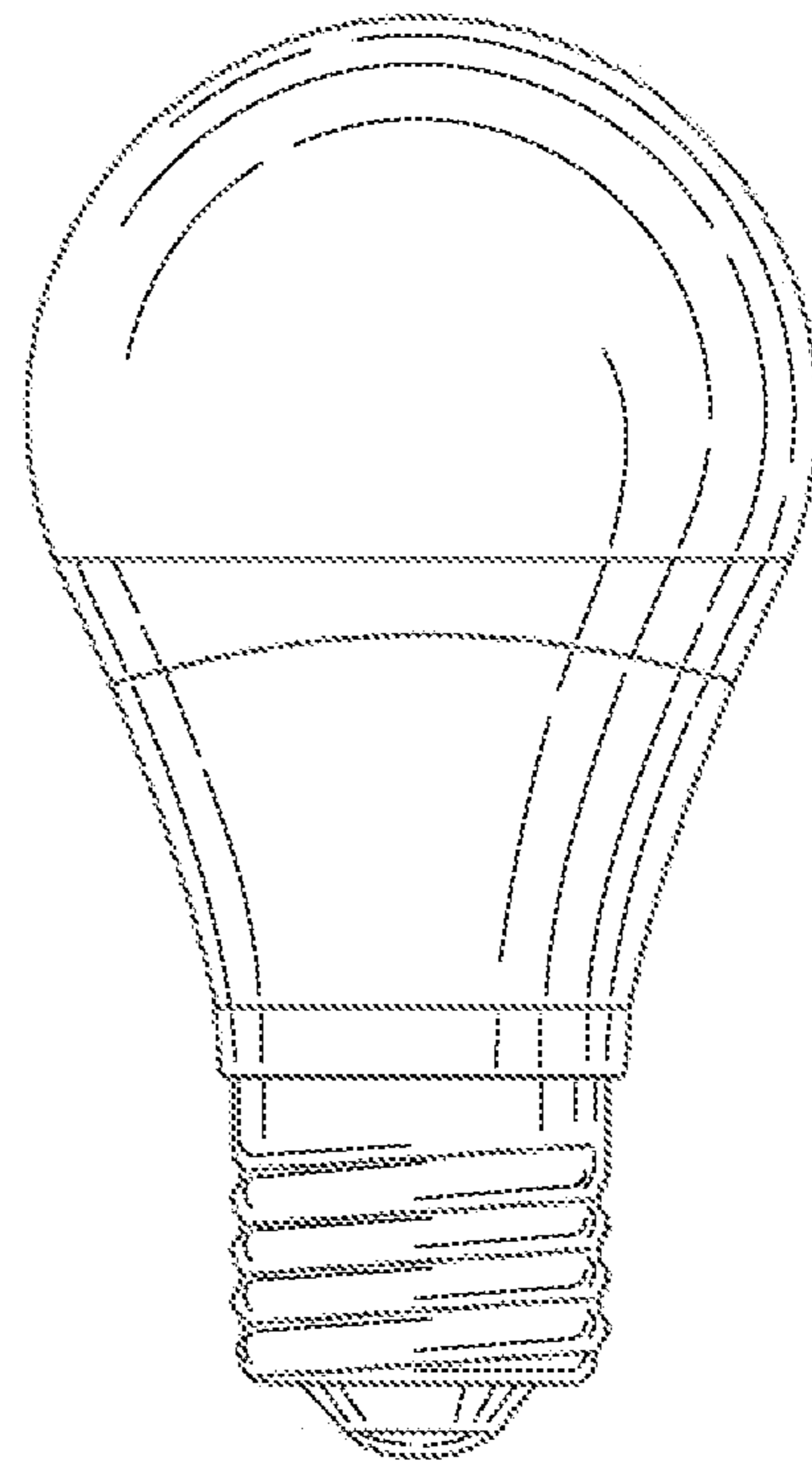


Fig. 21



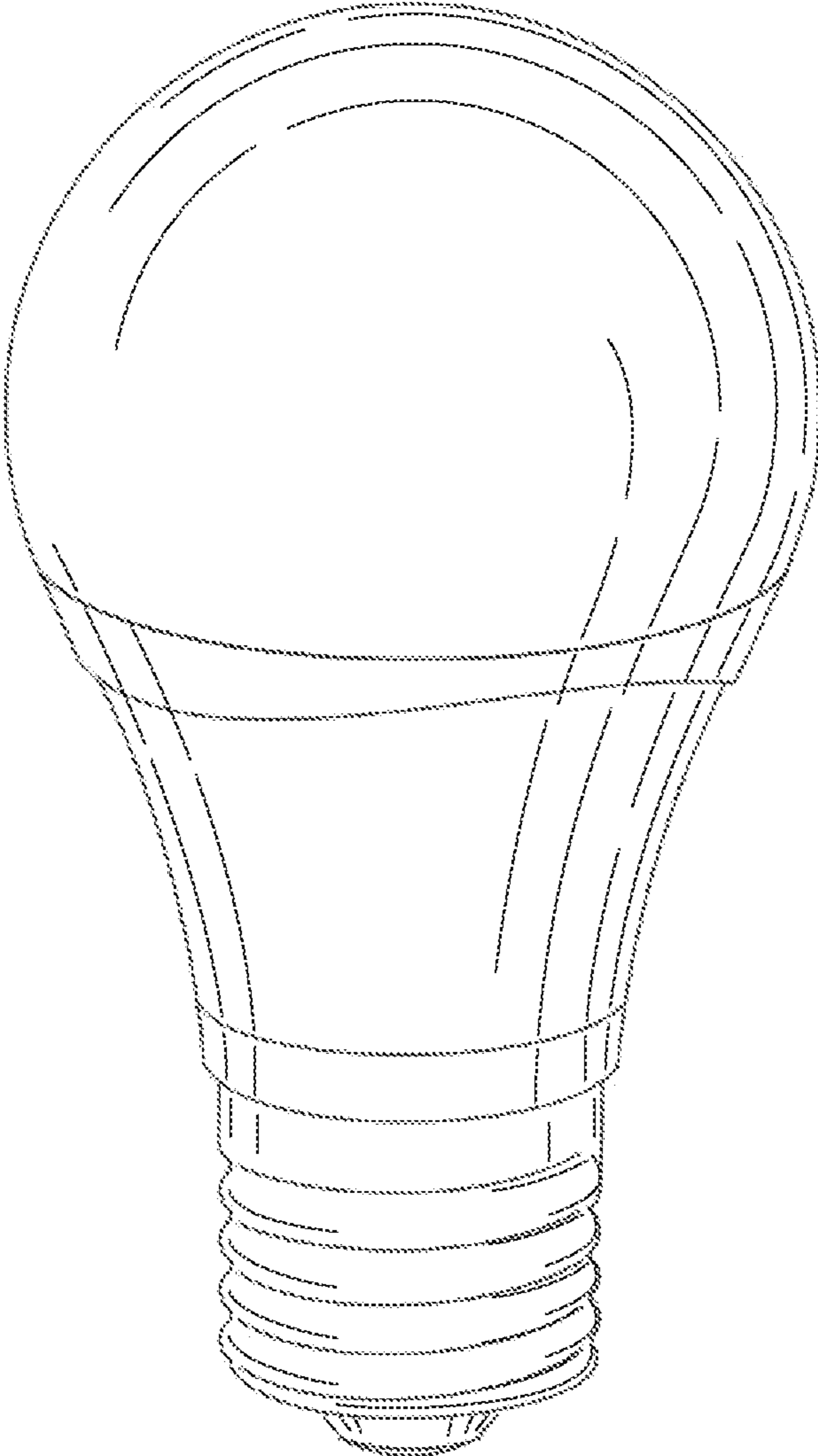


Fig. 22

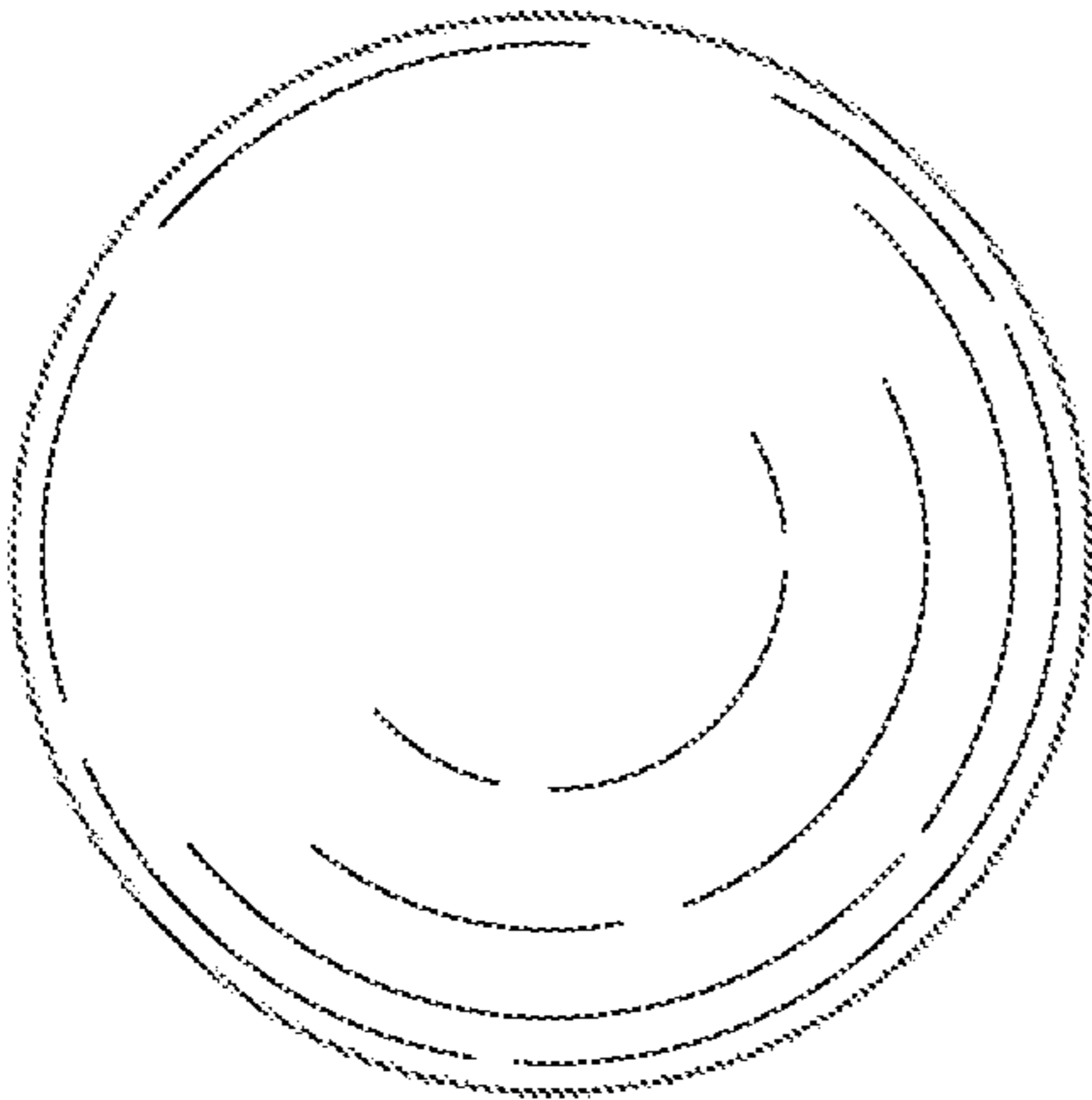


Fig. 23

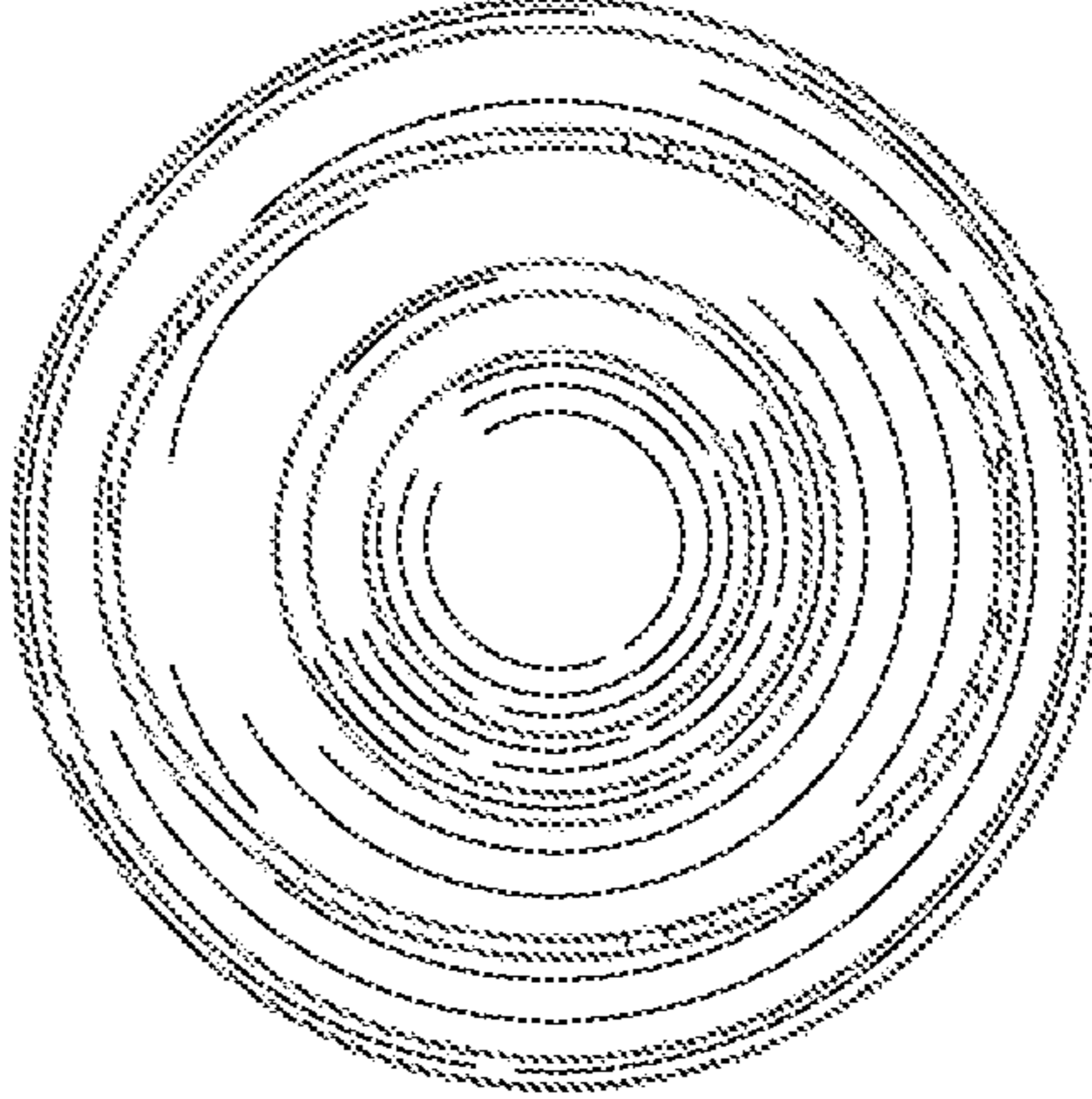


Fig. 24

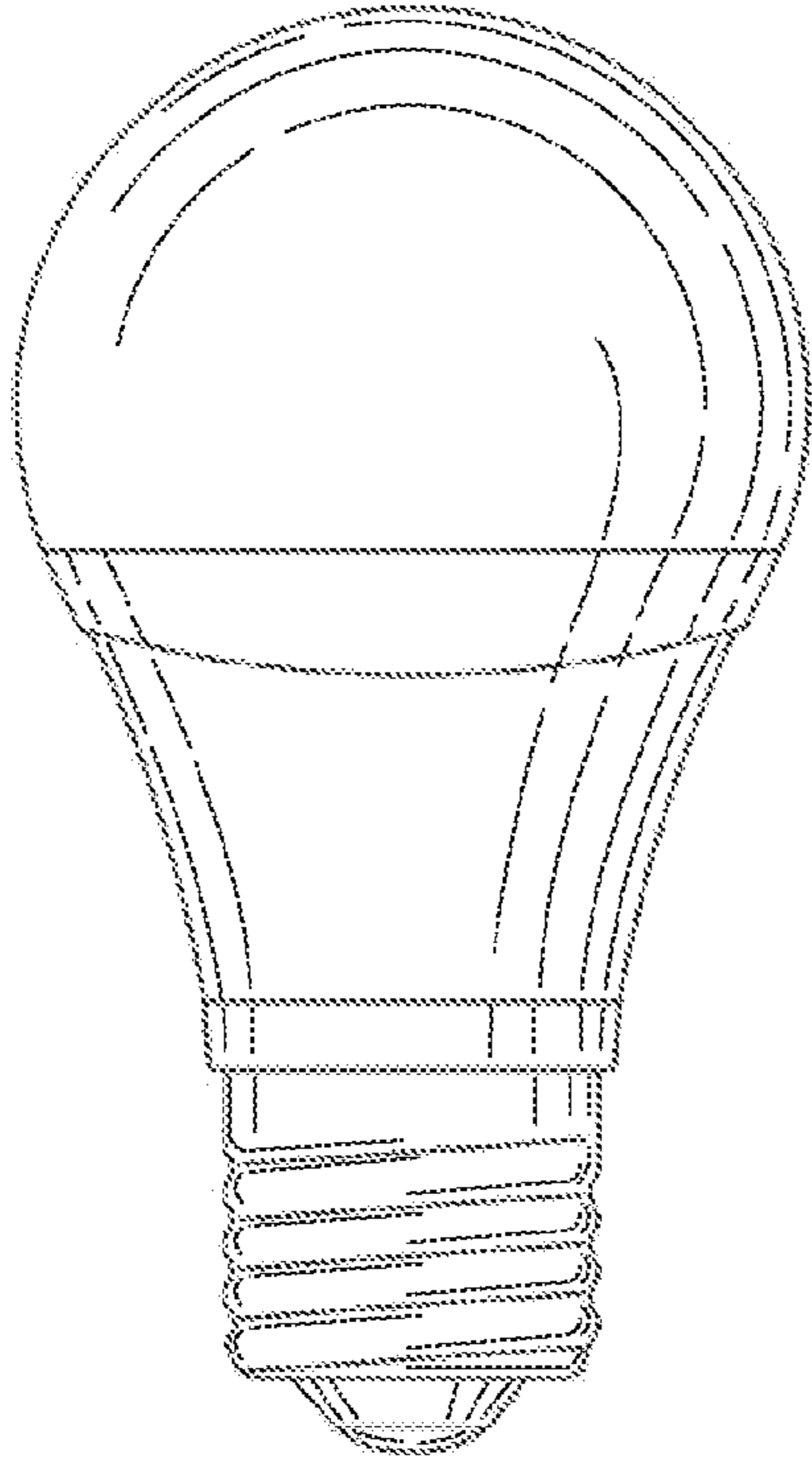


Fig. 25

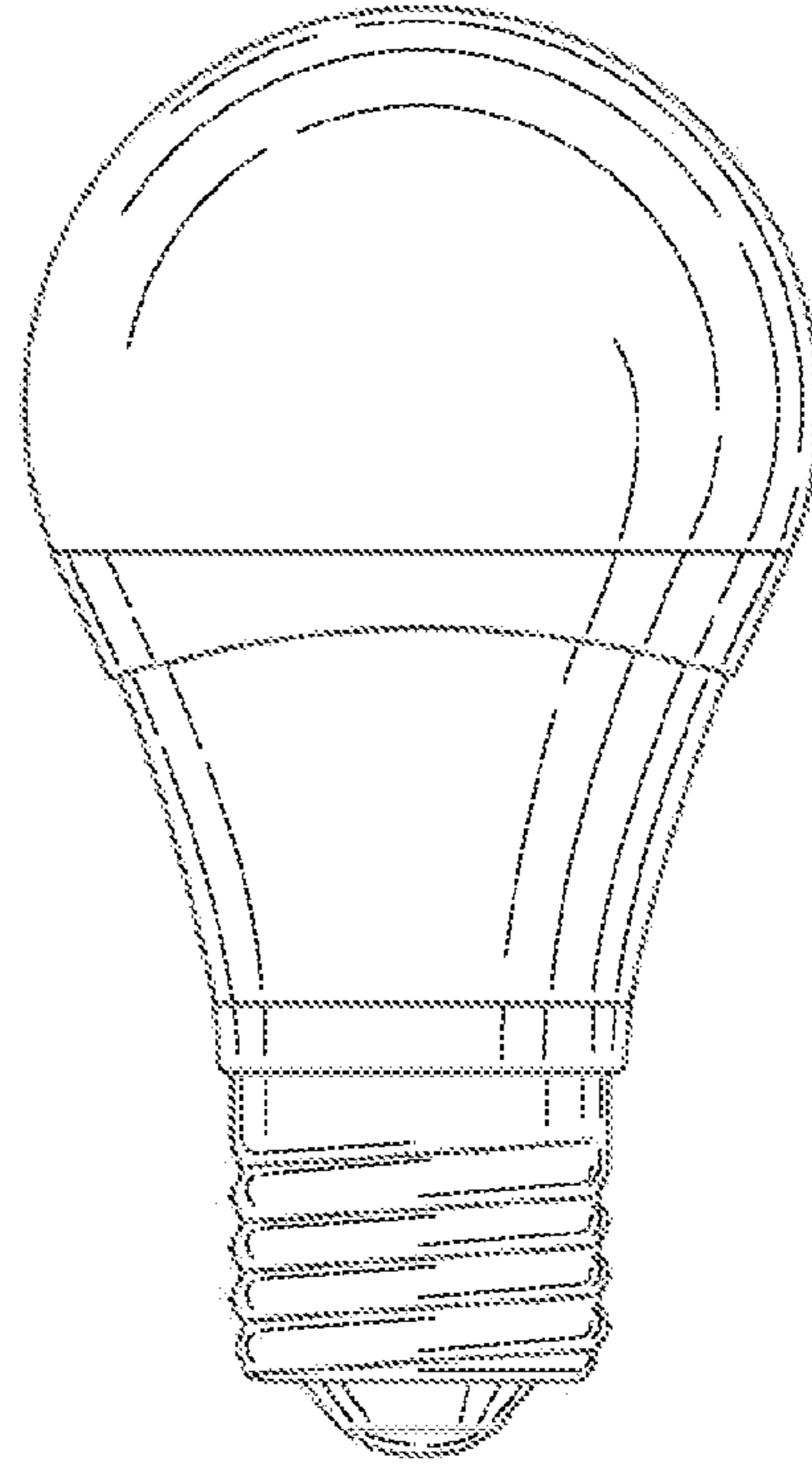


Fig. 26

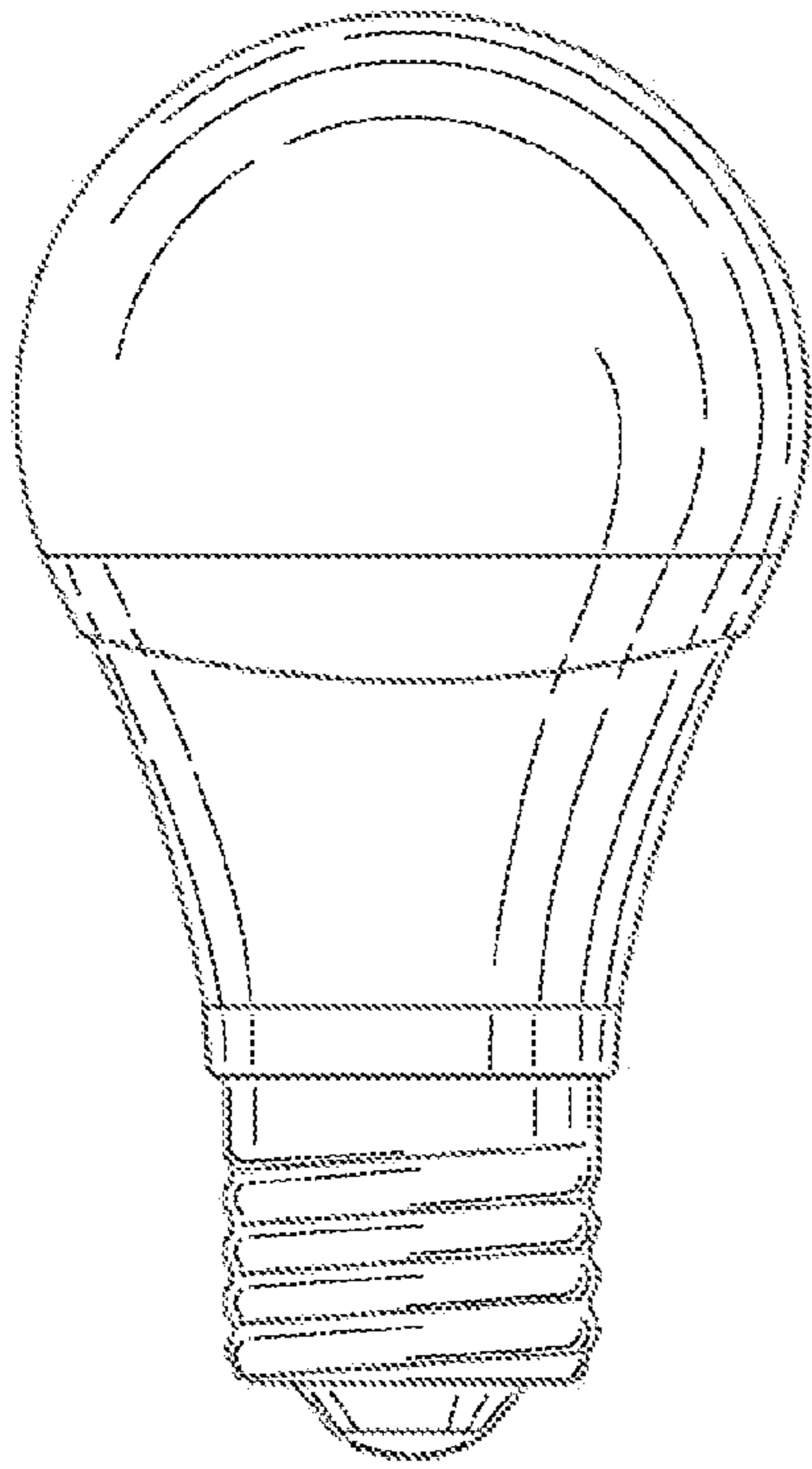


Fig. 27

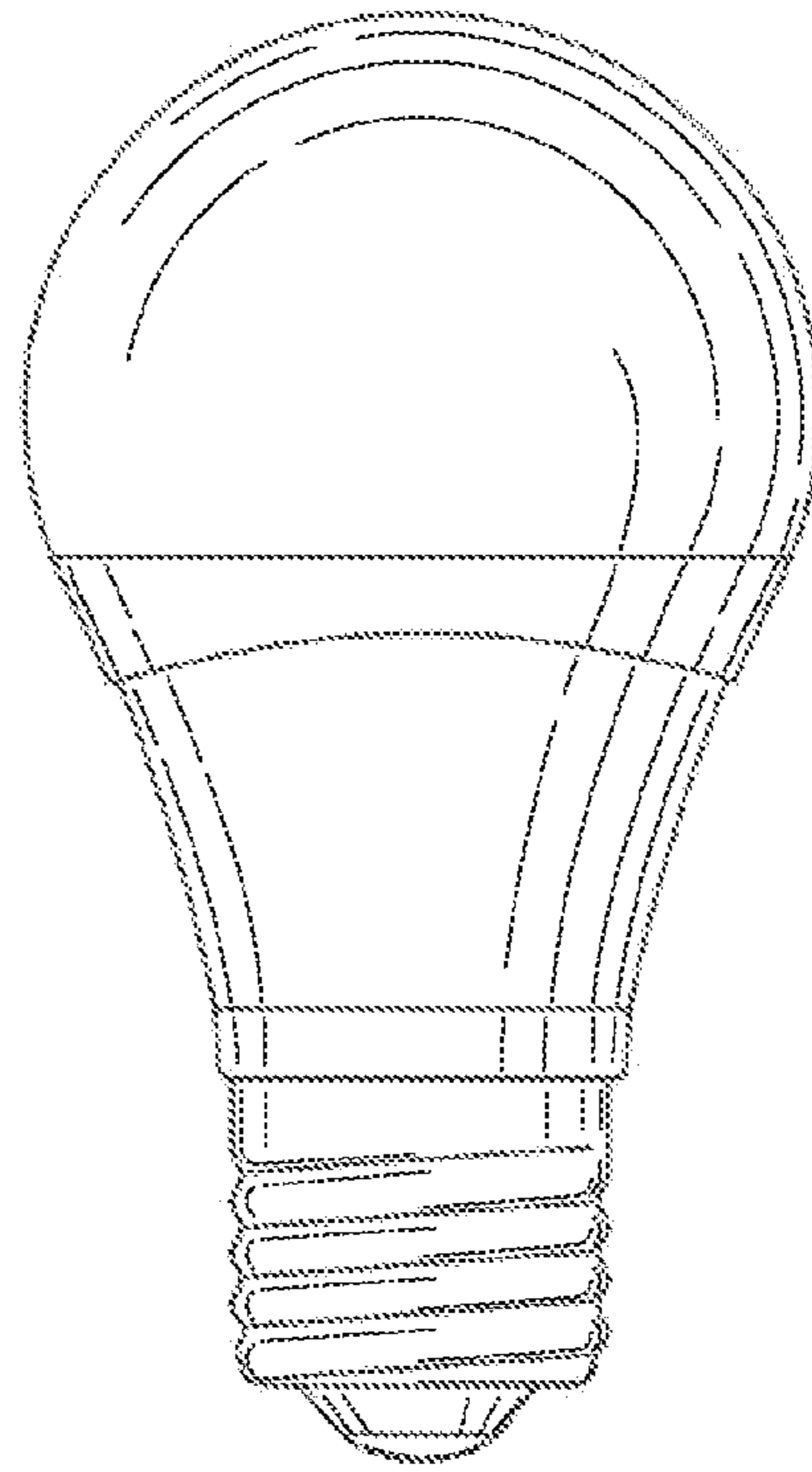


Fig. 28

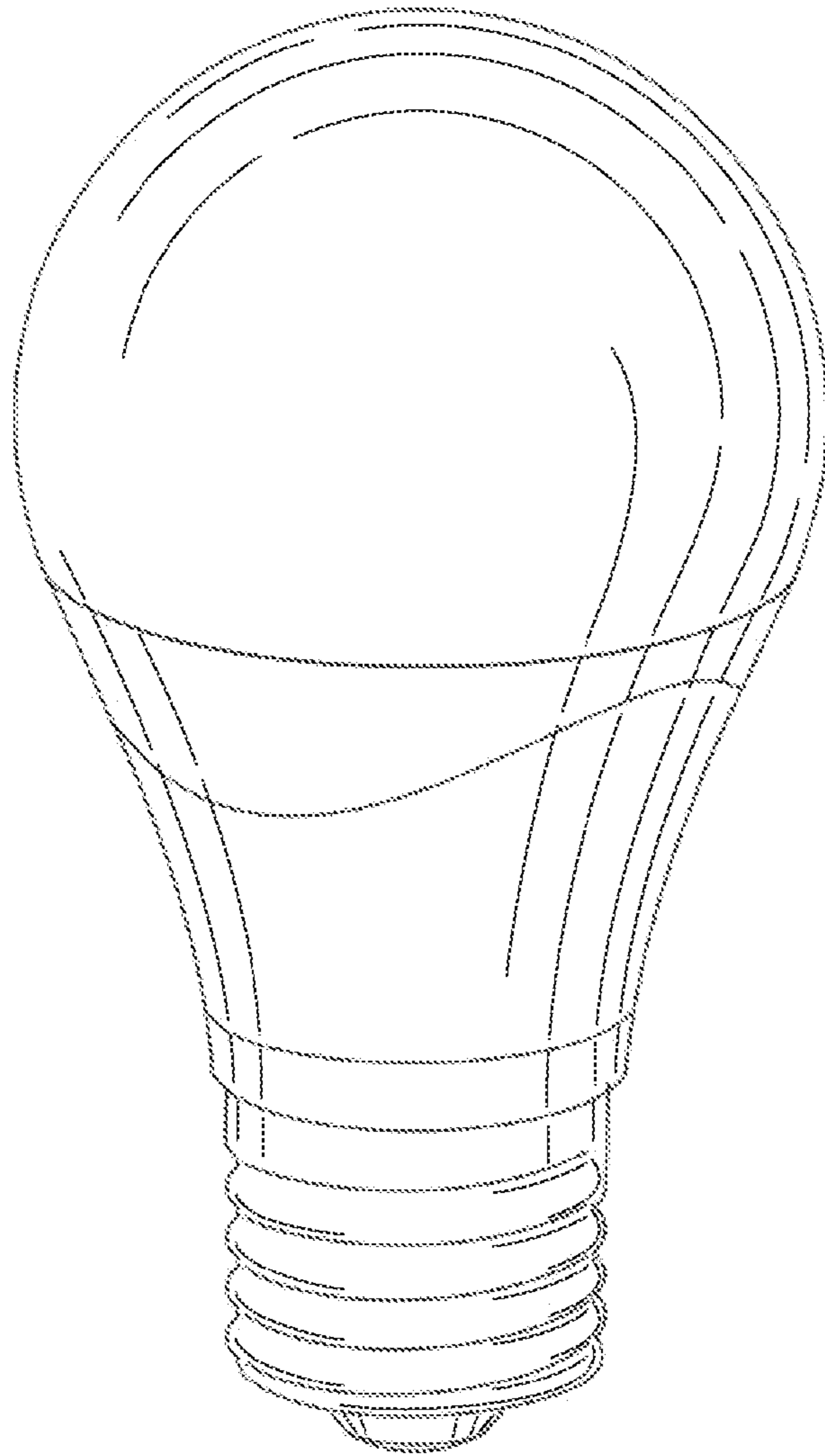


Fig. 29

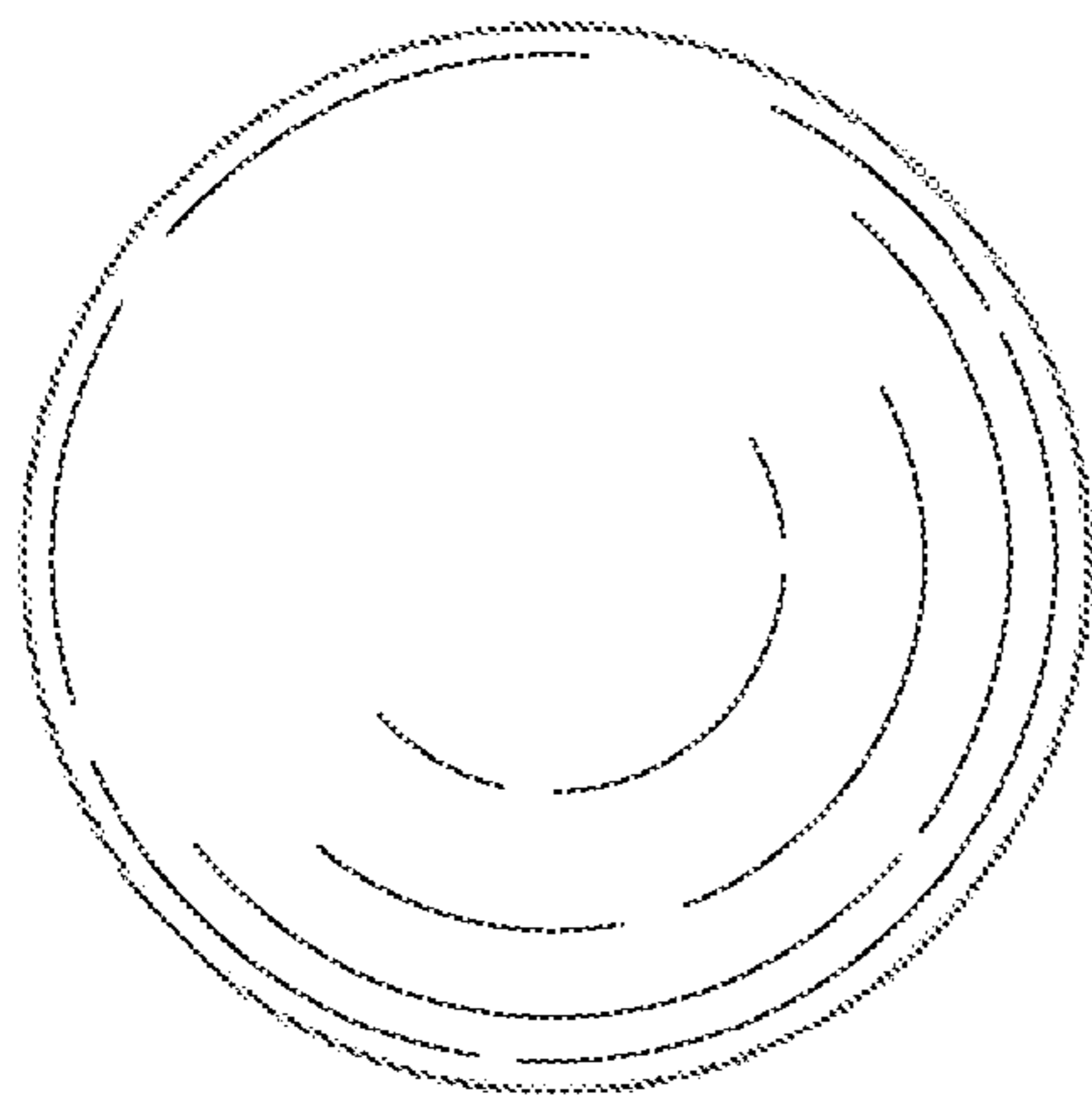


Fig. 30

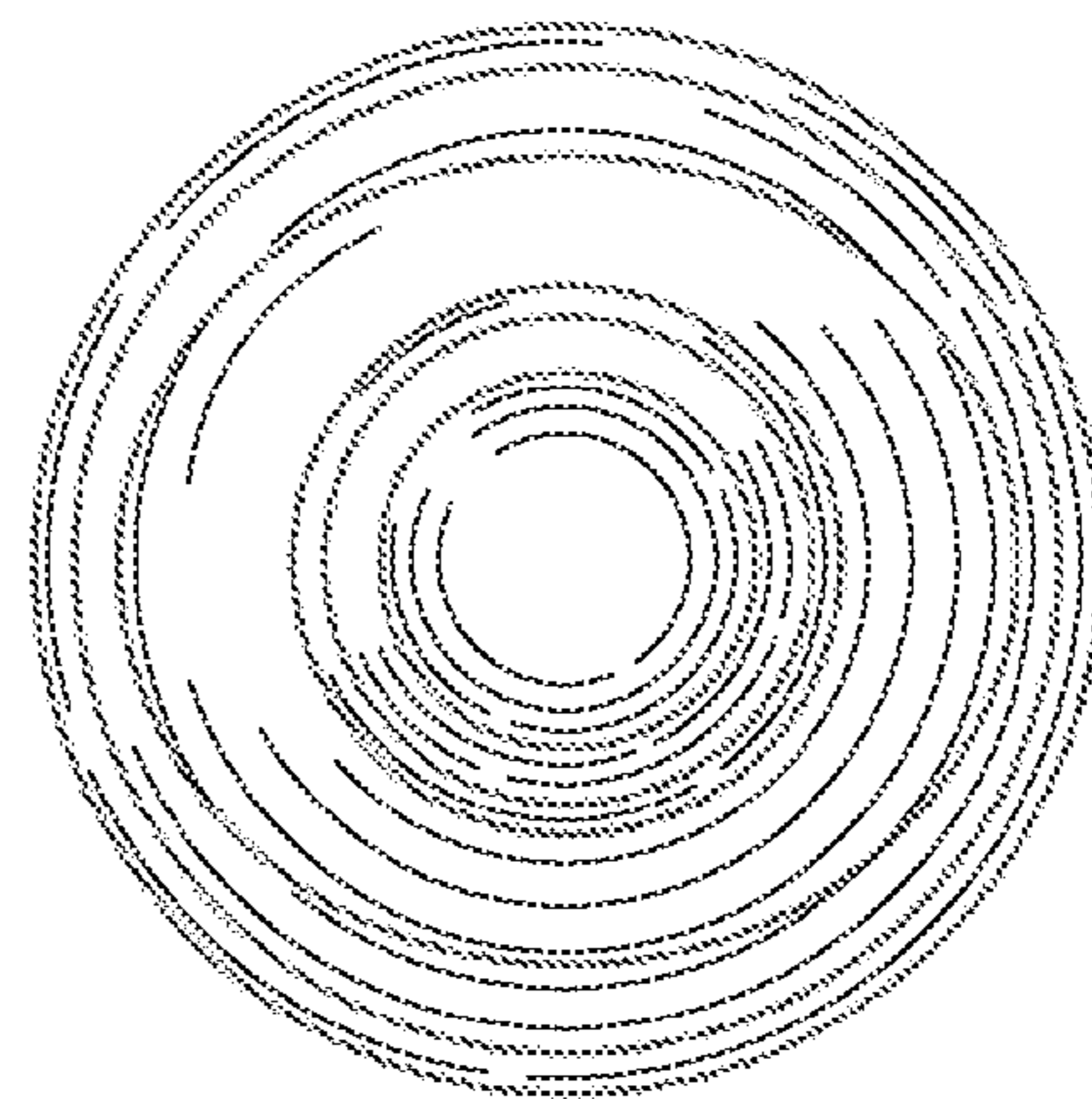


Fig. 31

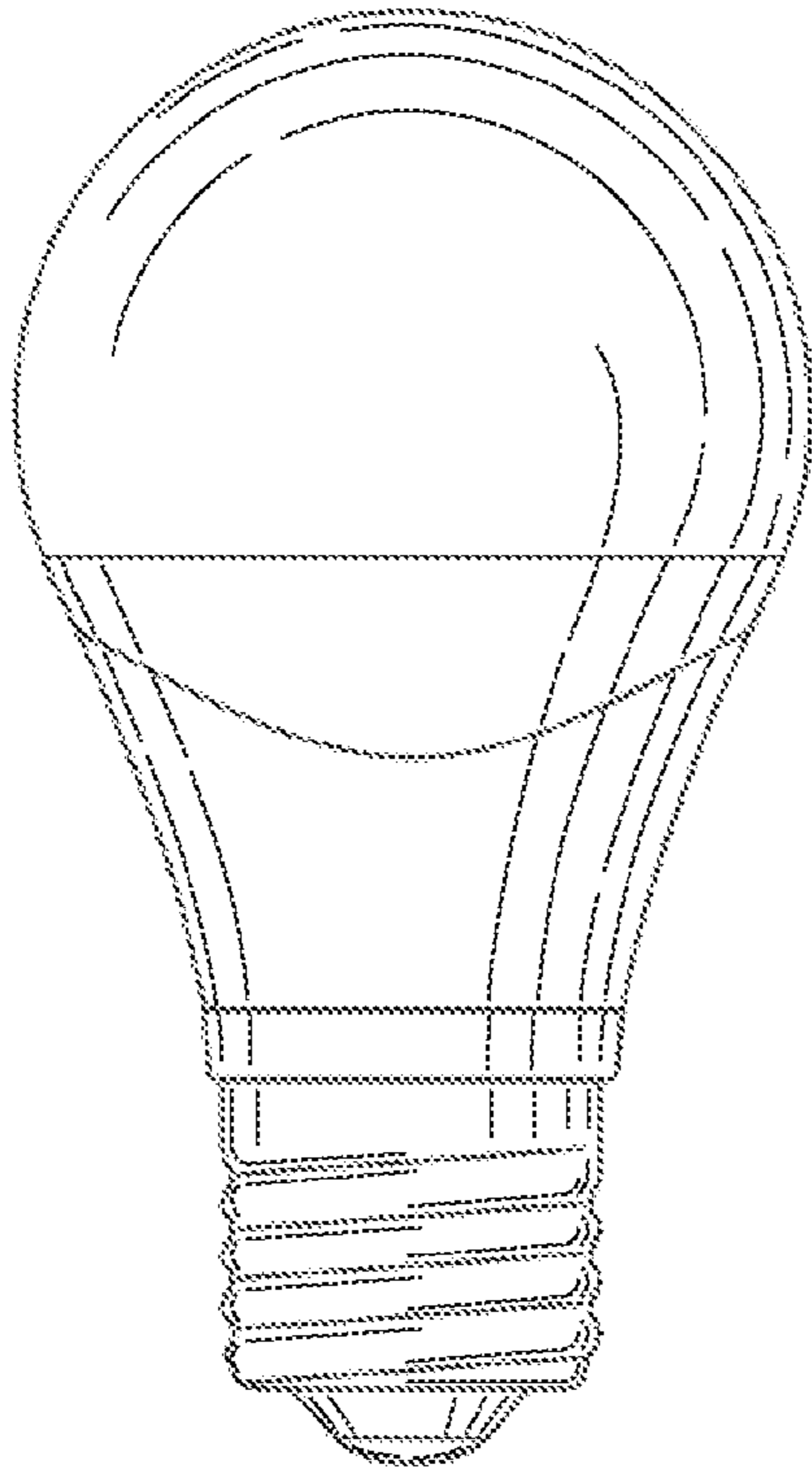


Fig. 32

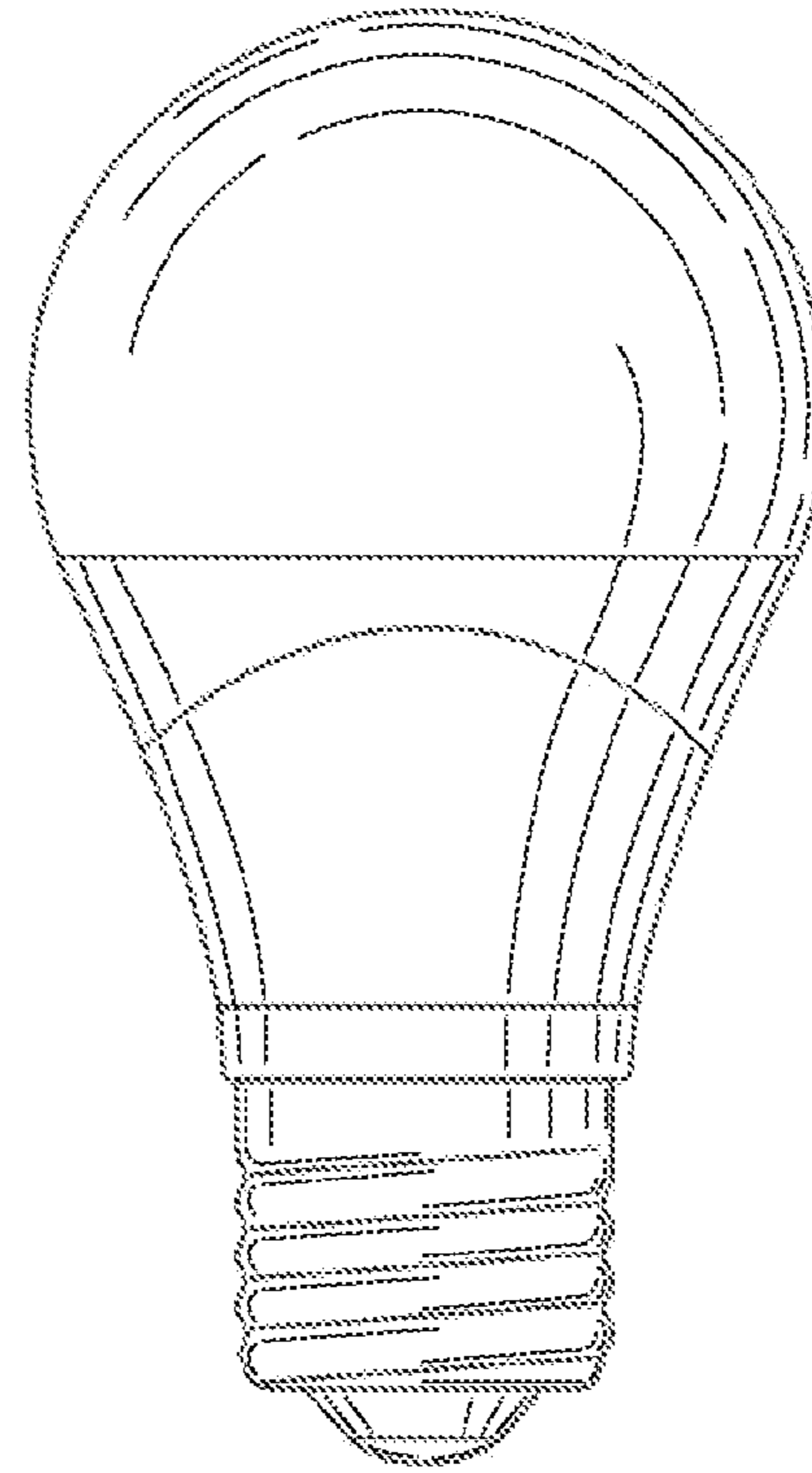


Fig. 33

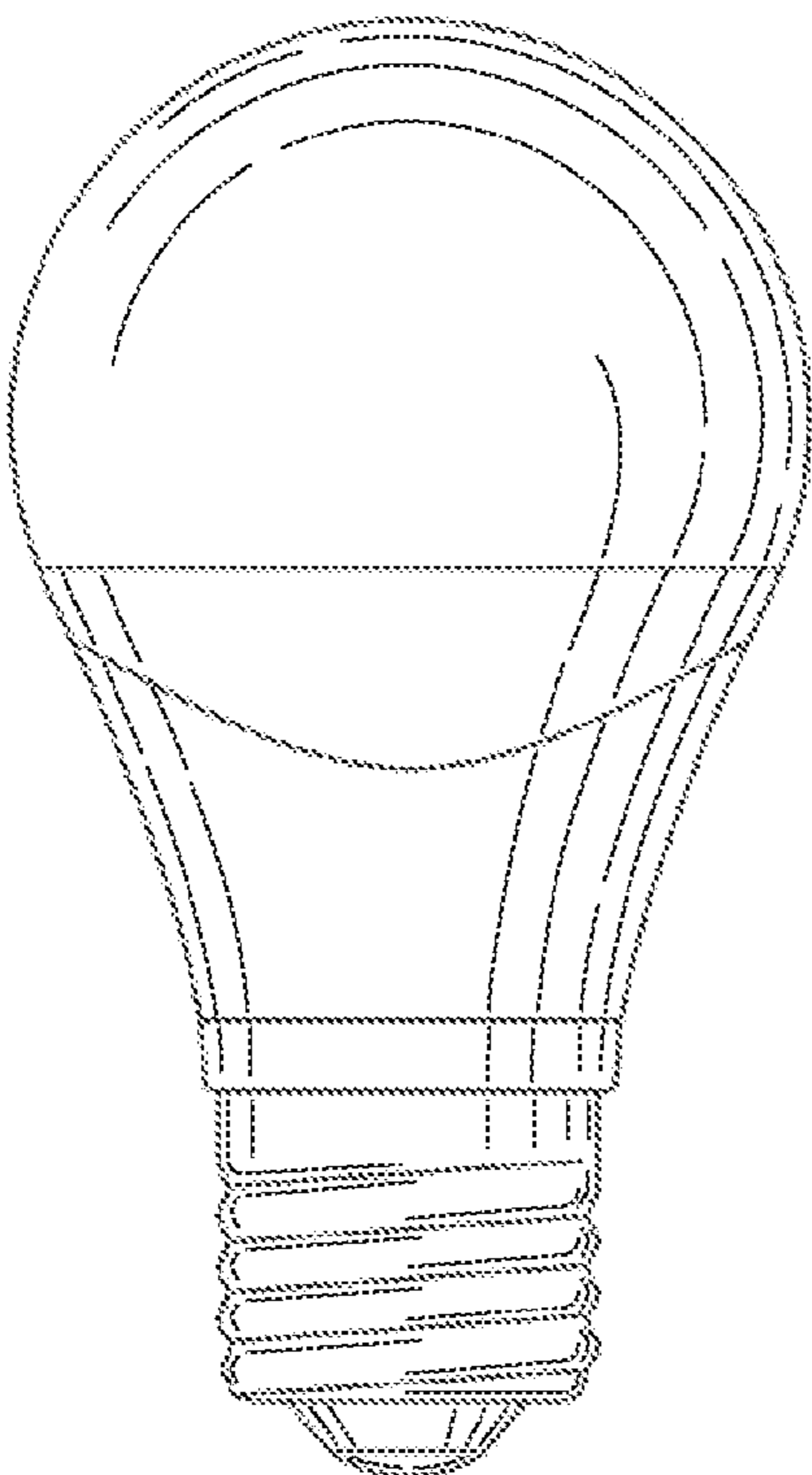


Fig. 34

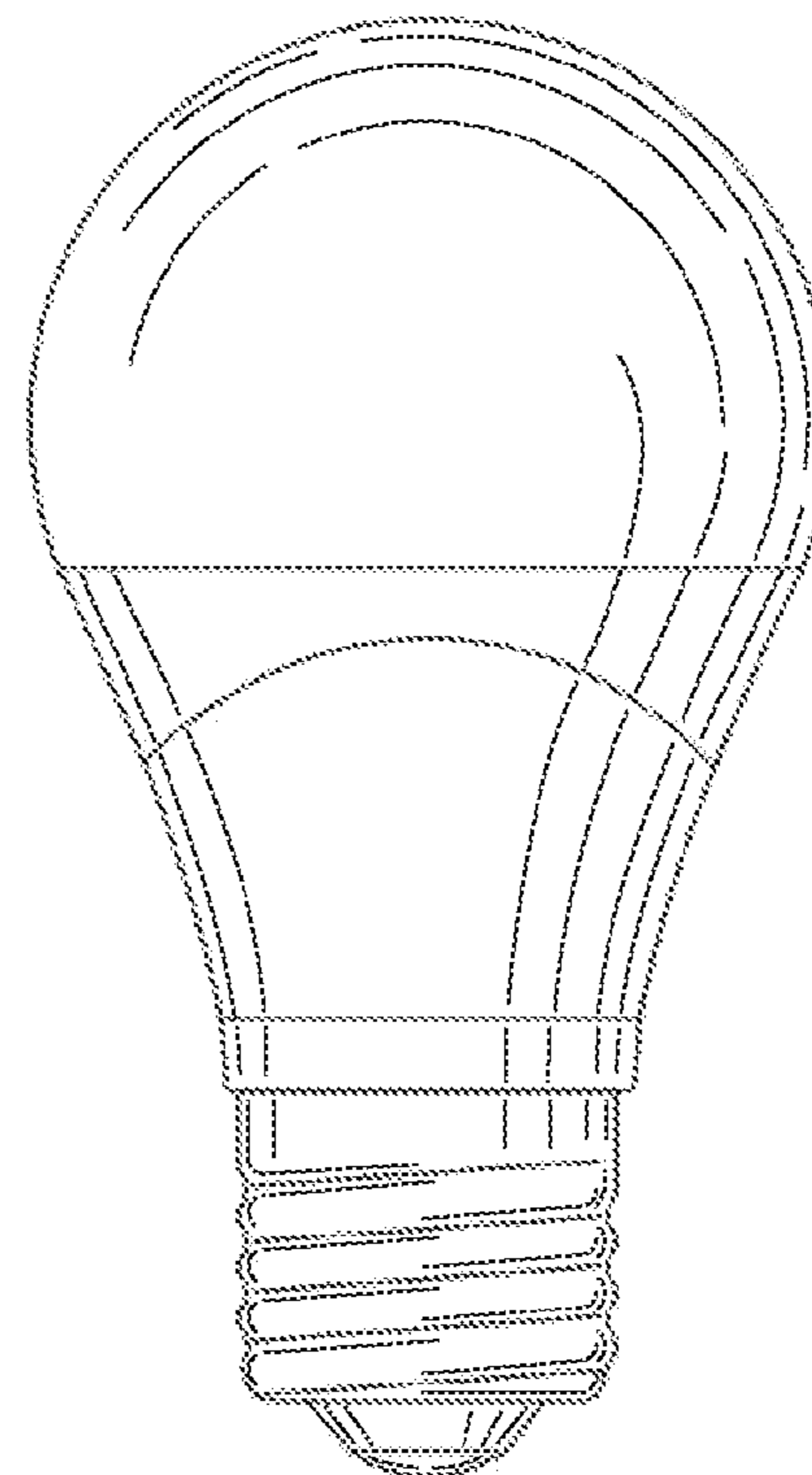


Fig. 35

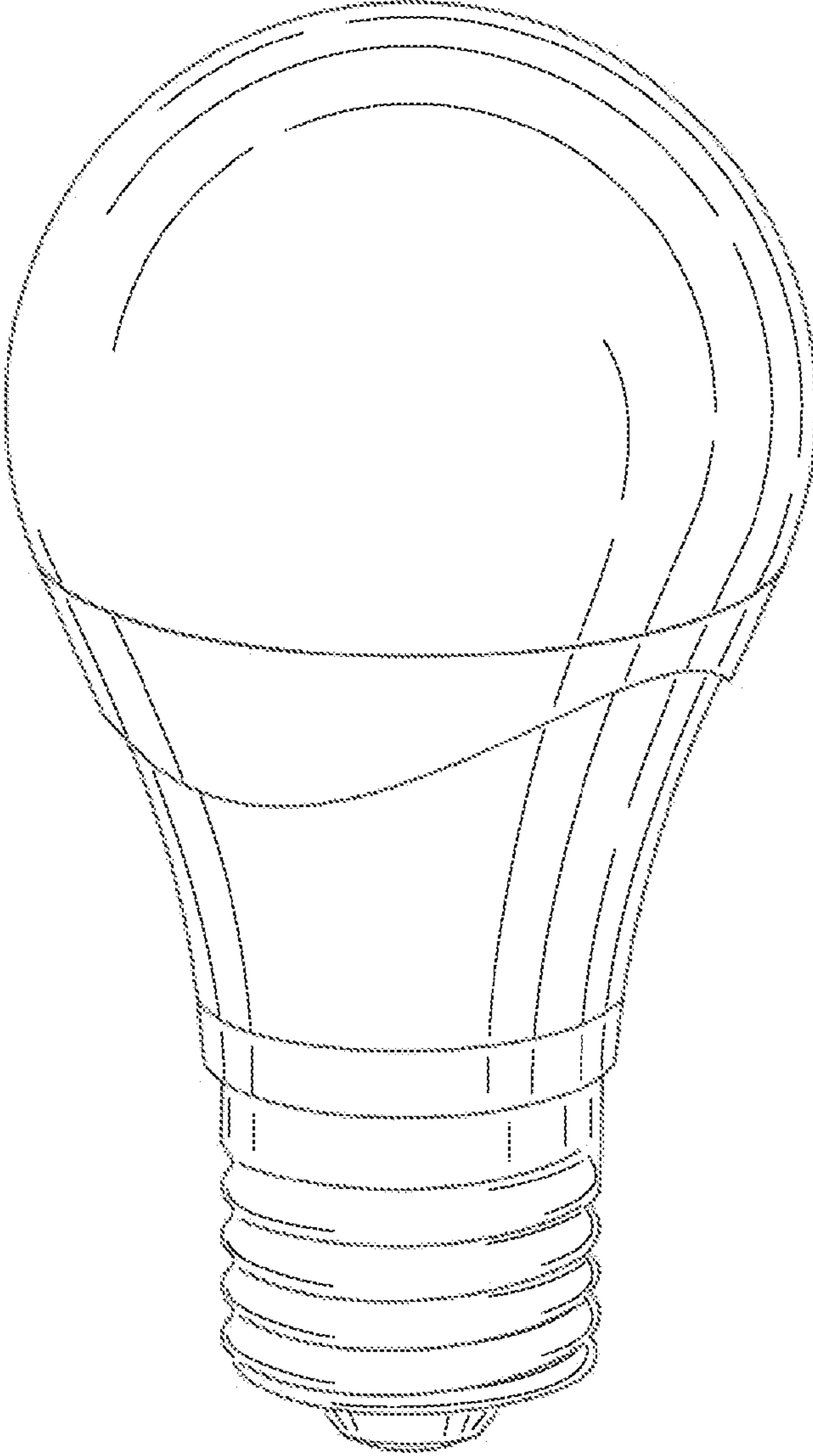


Fig. 36

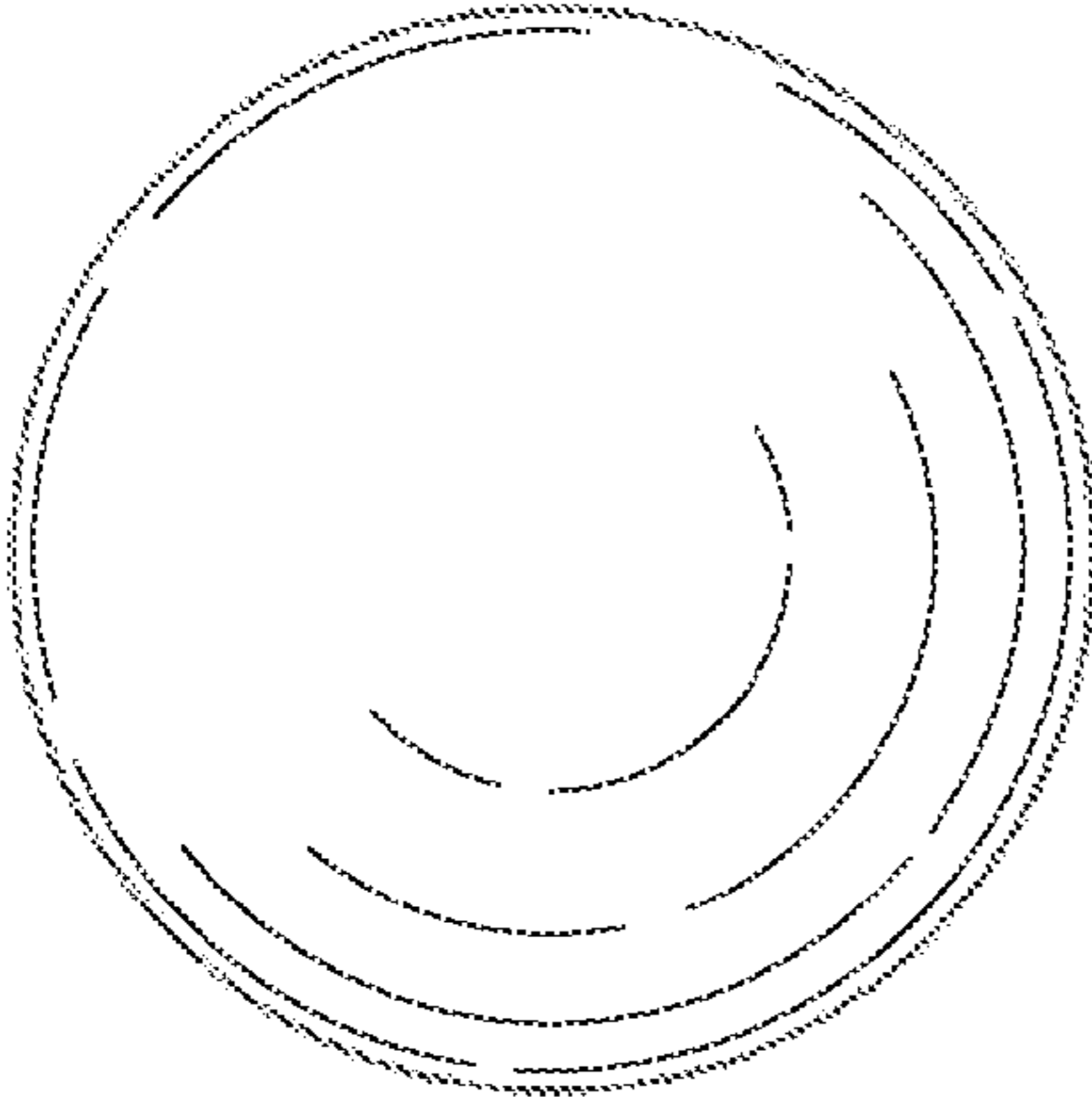


Fig. 37

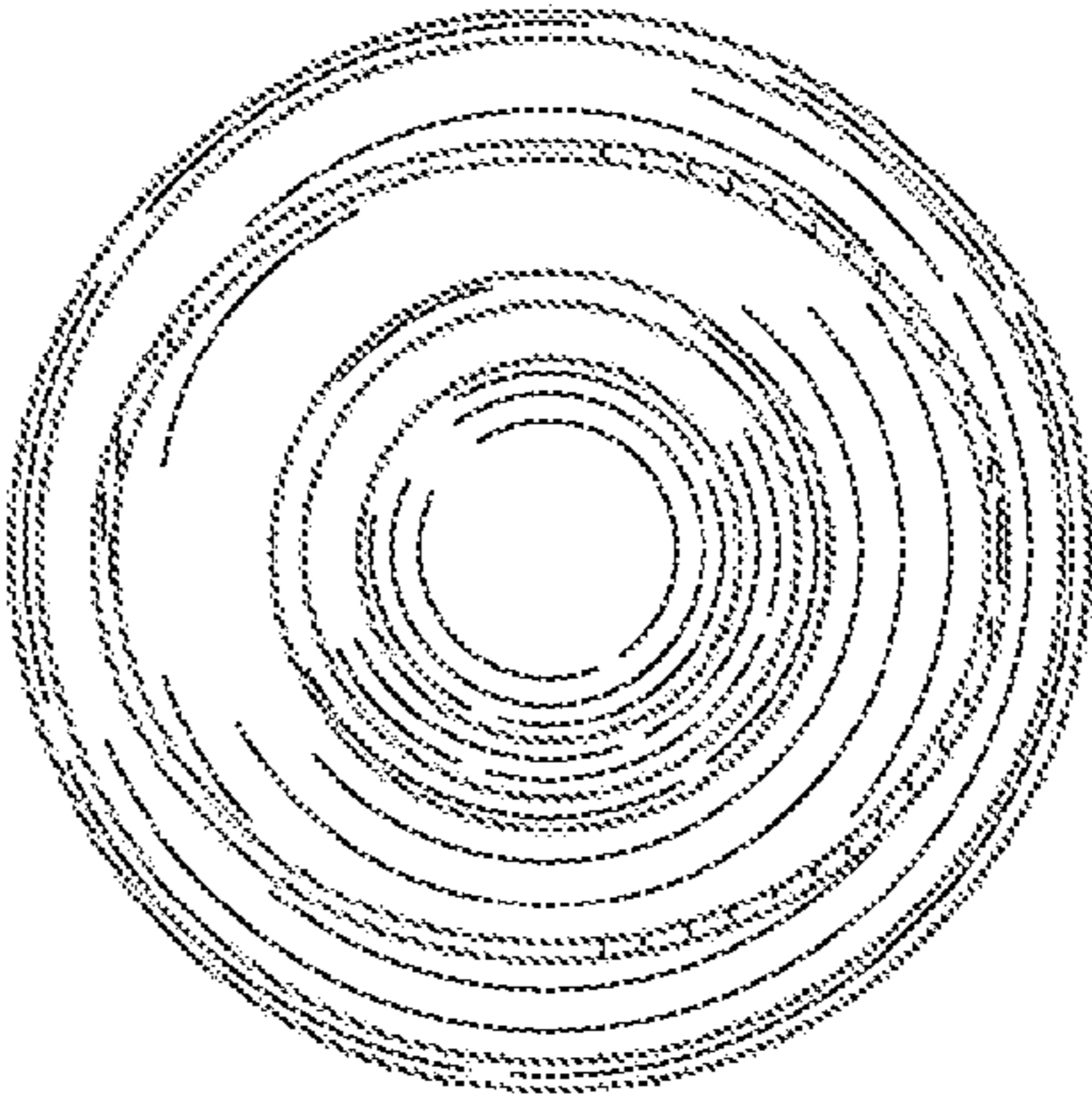


Fig. 38

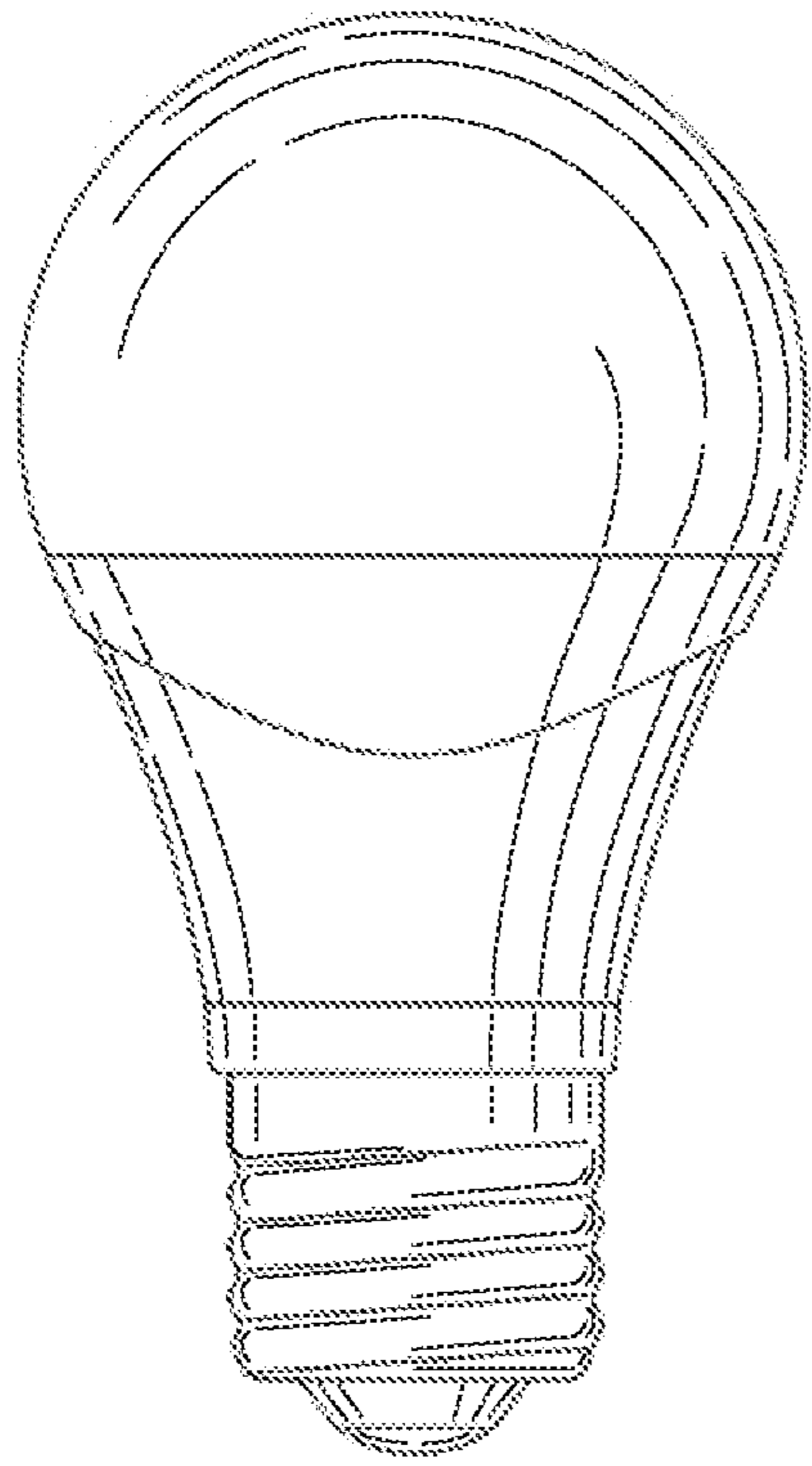


Fig. 39

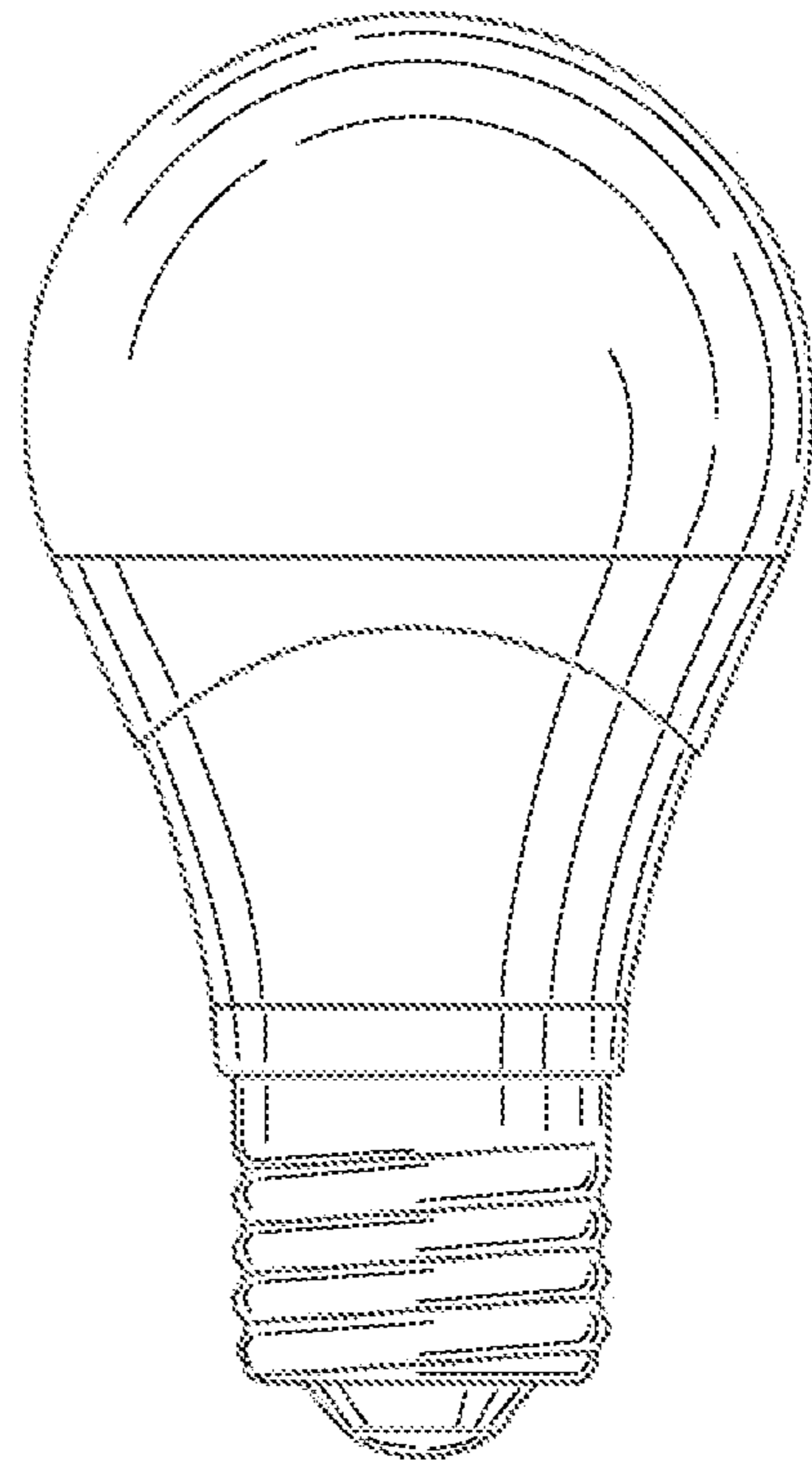


Fig. 40

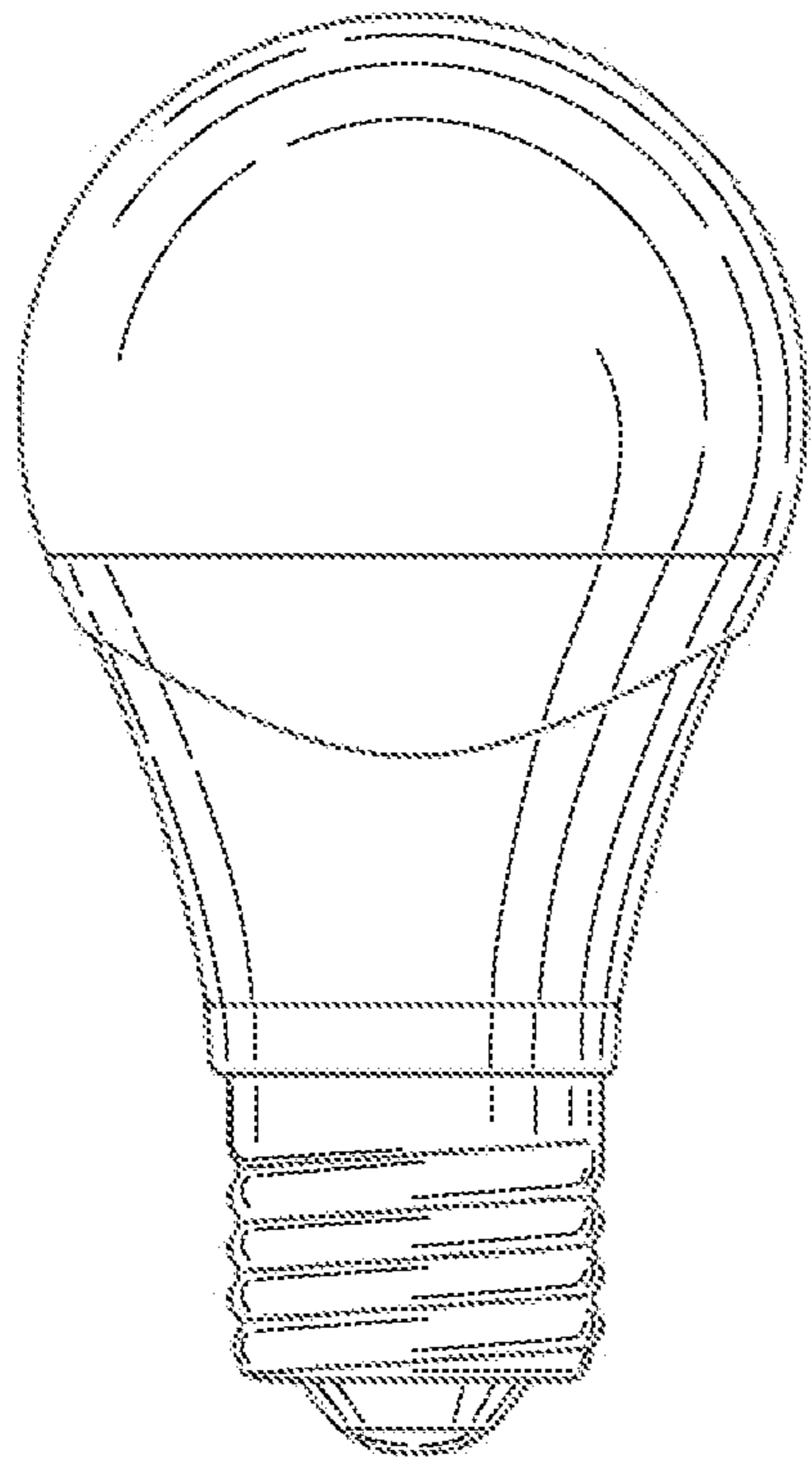


Fig. 41

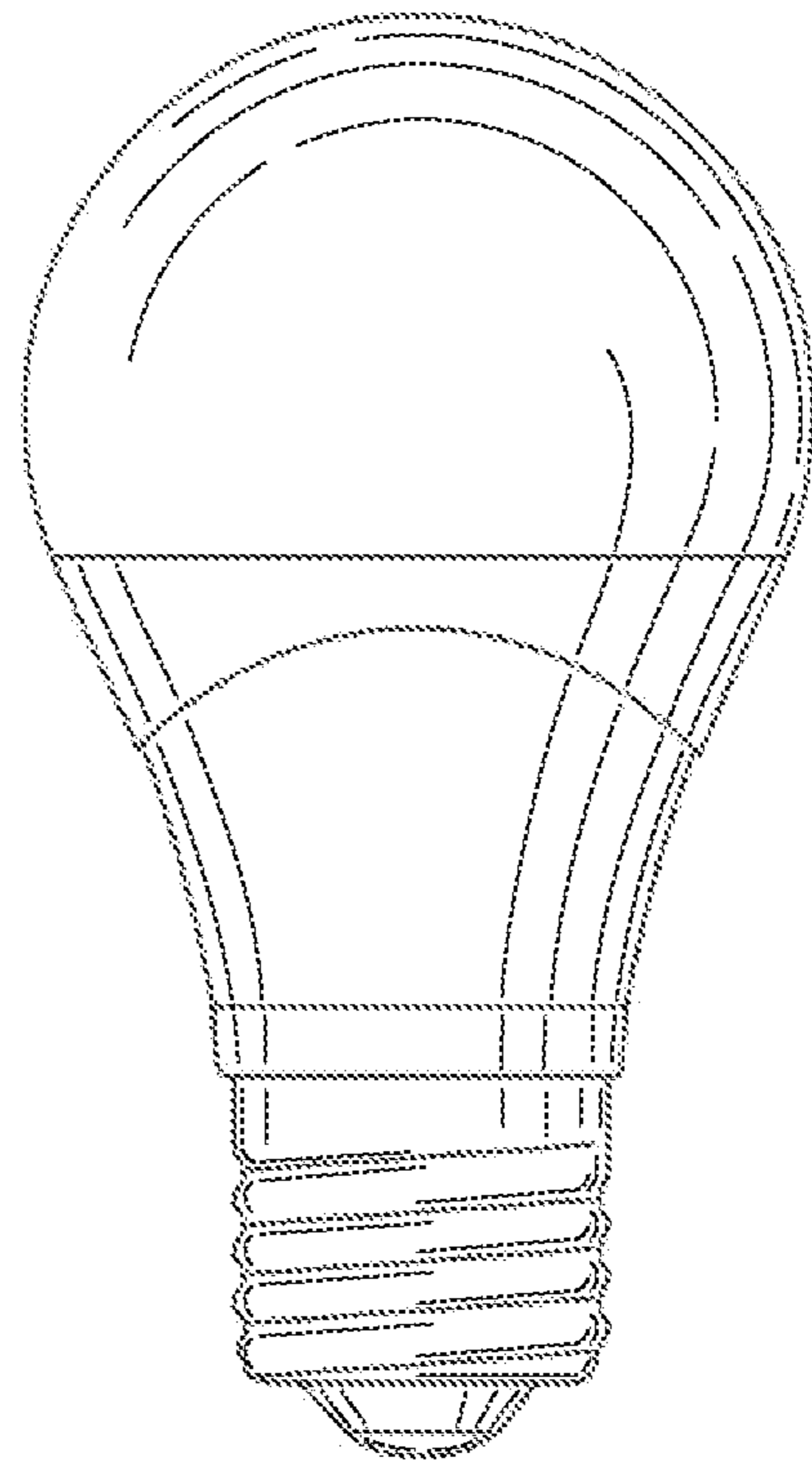


Fig. 42

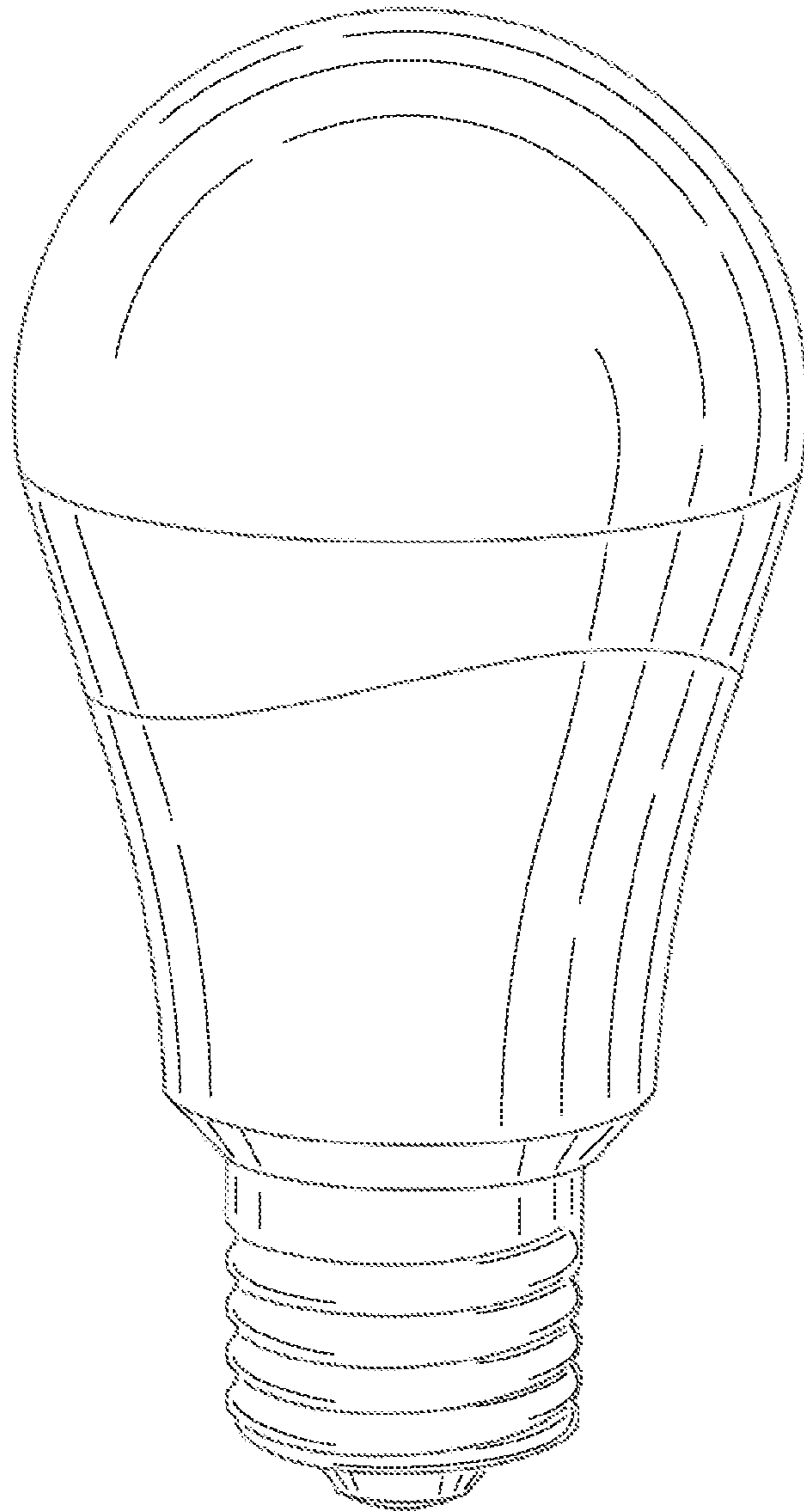


Fig. 43

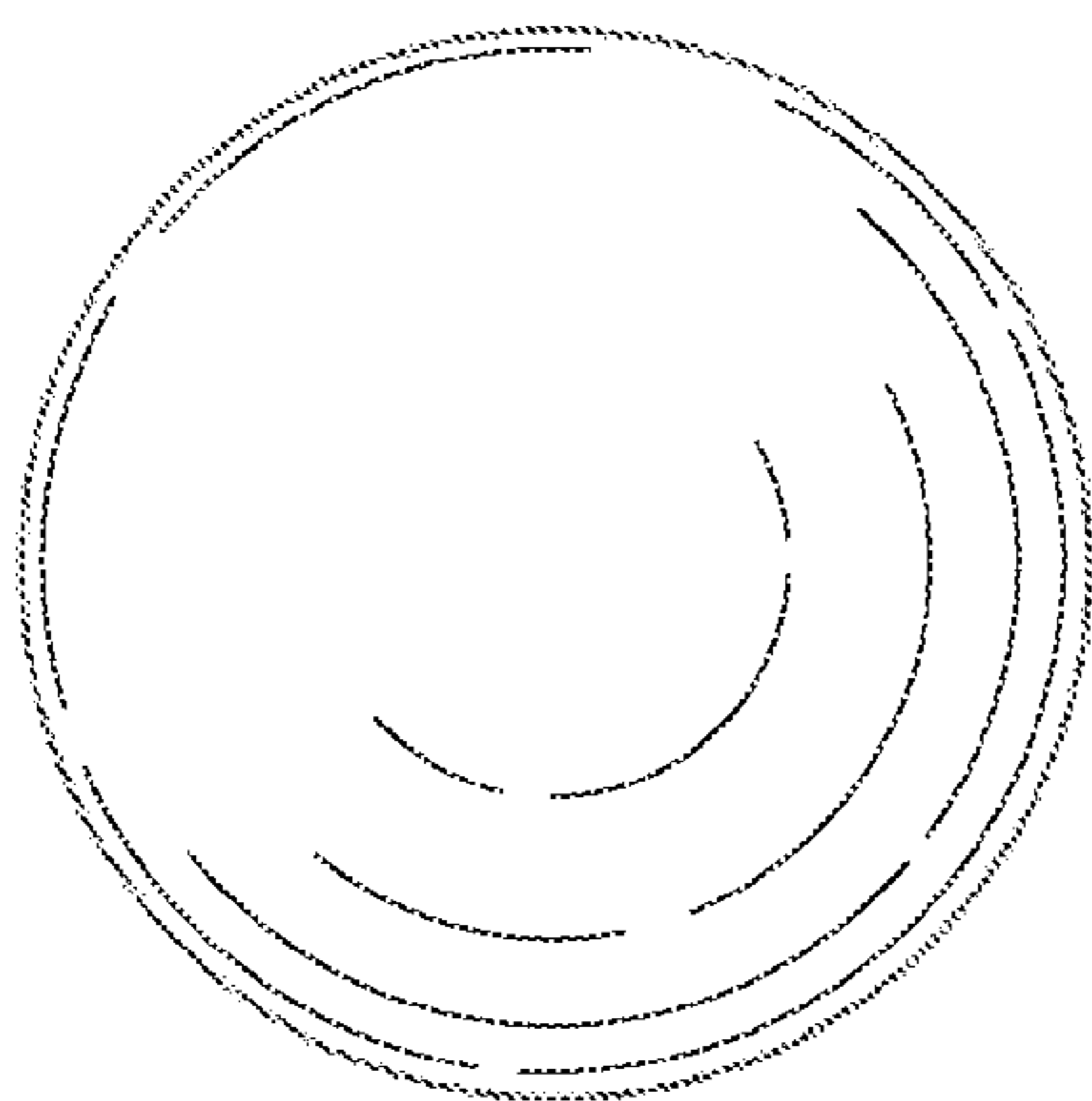


Fig. 44

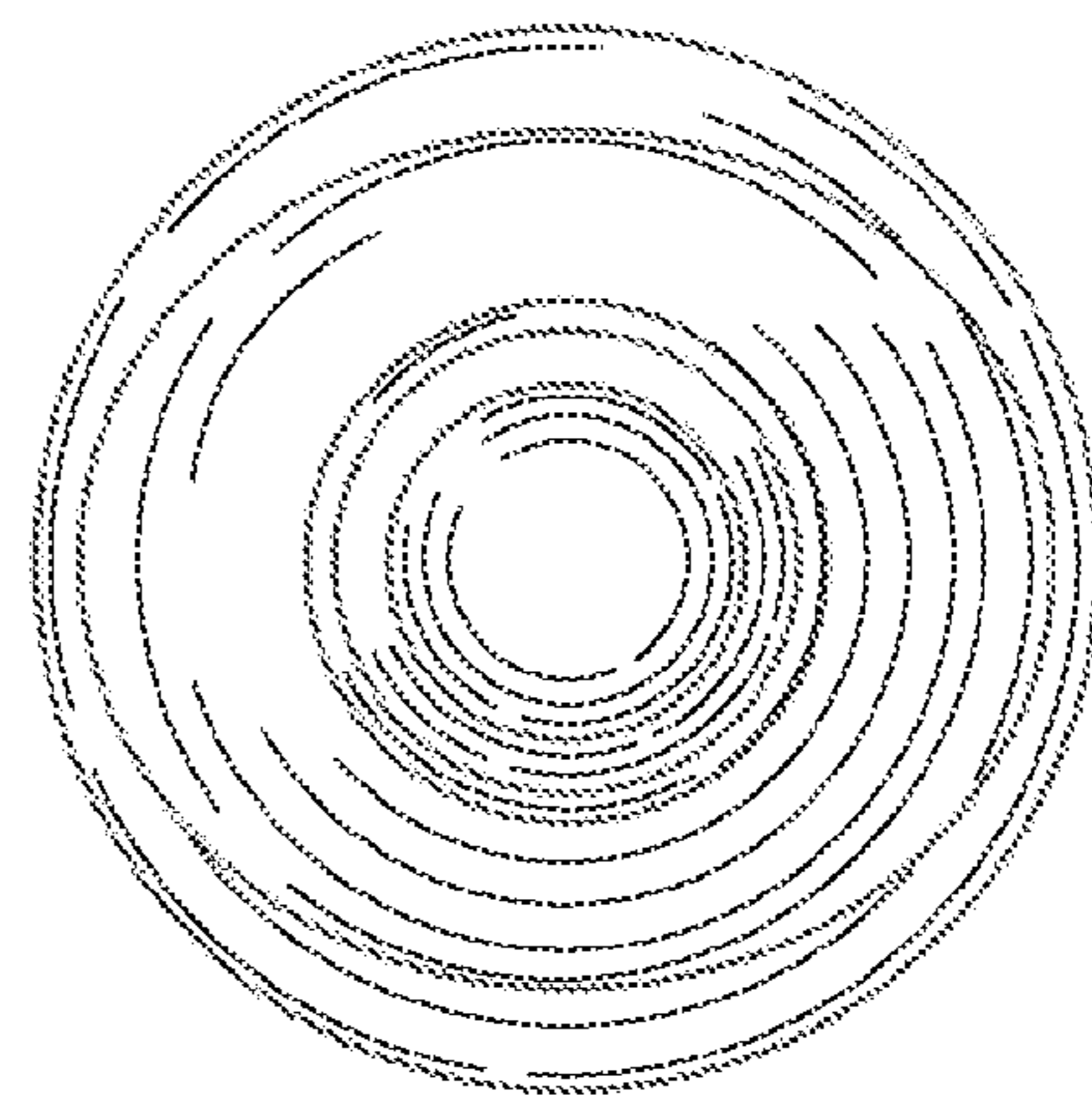


Fig. 45

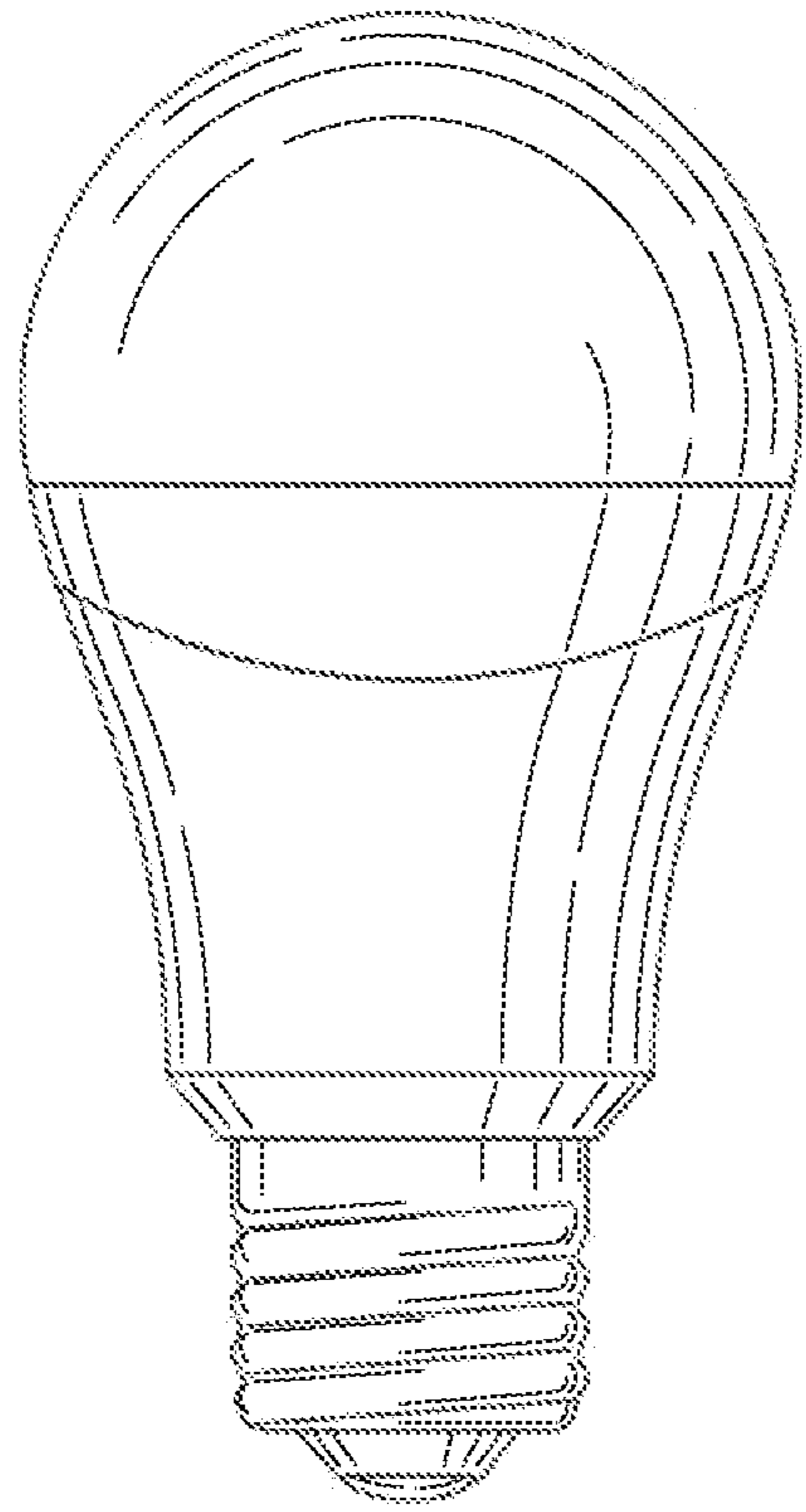


Fig. 46

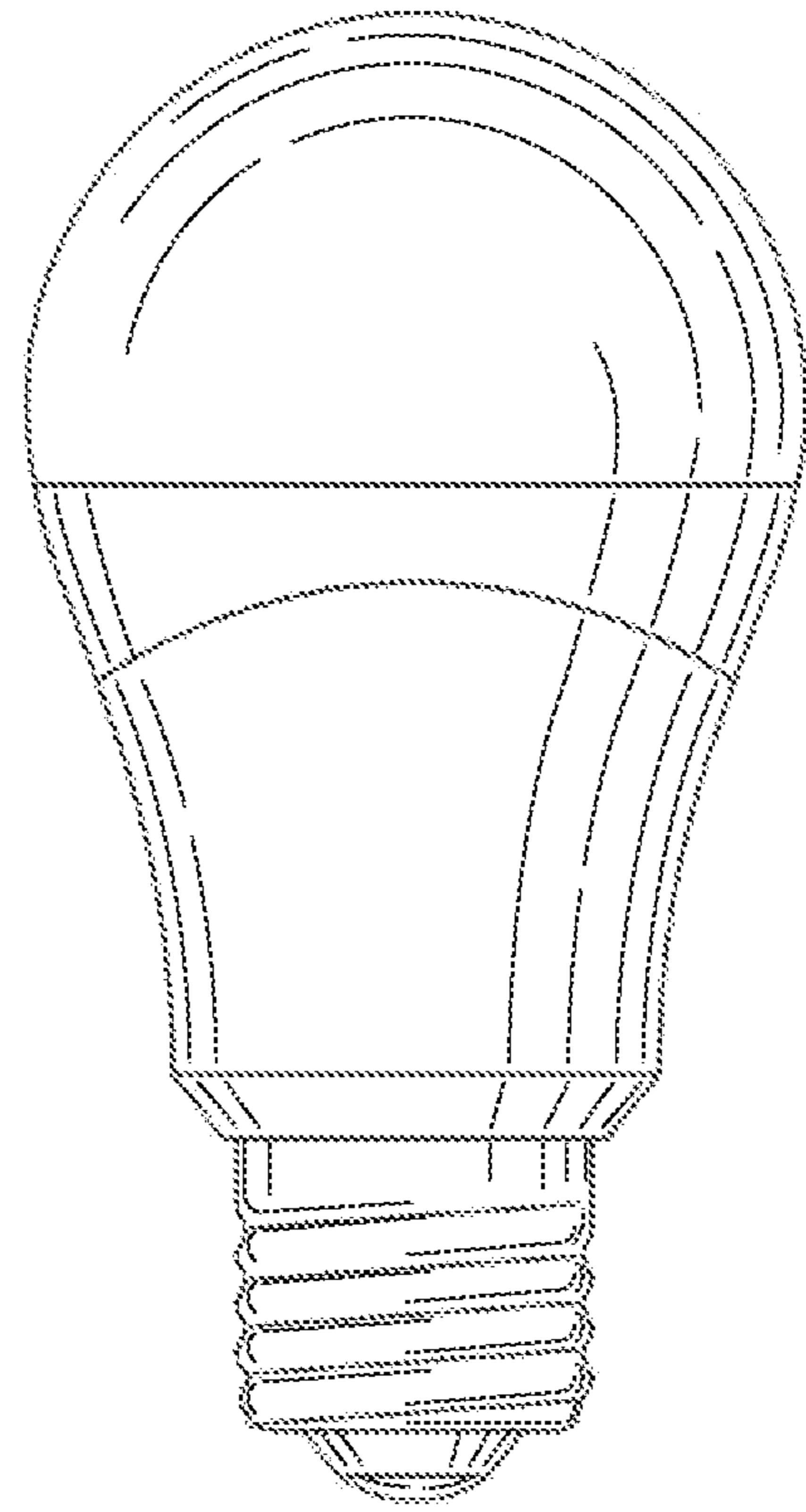


Fig. 47

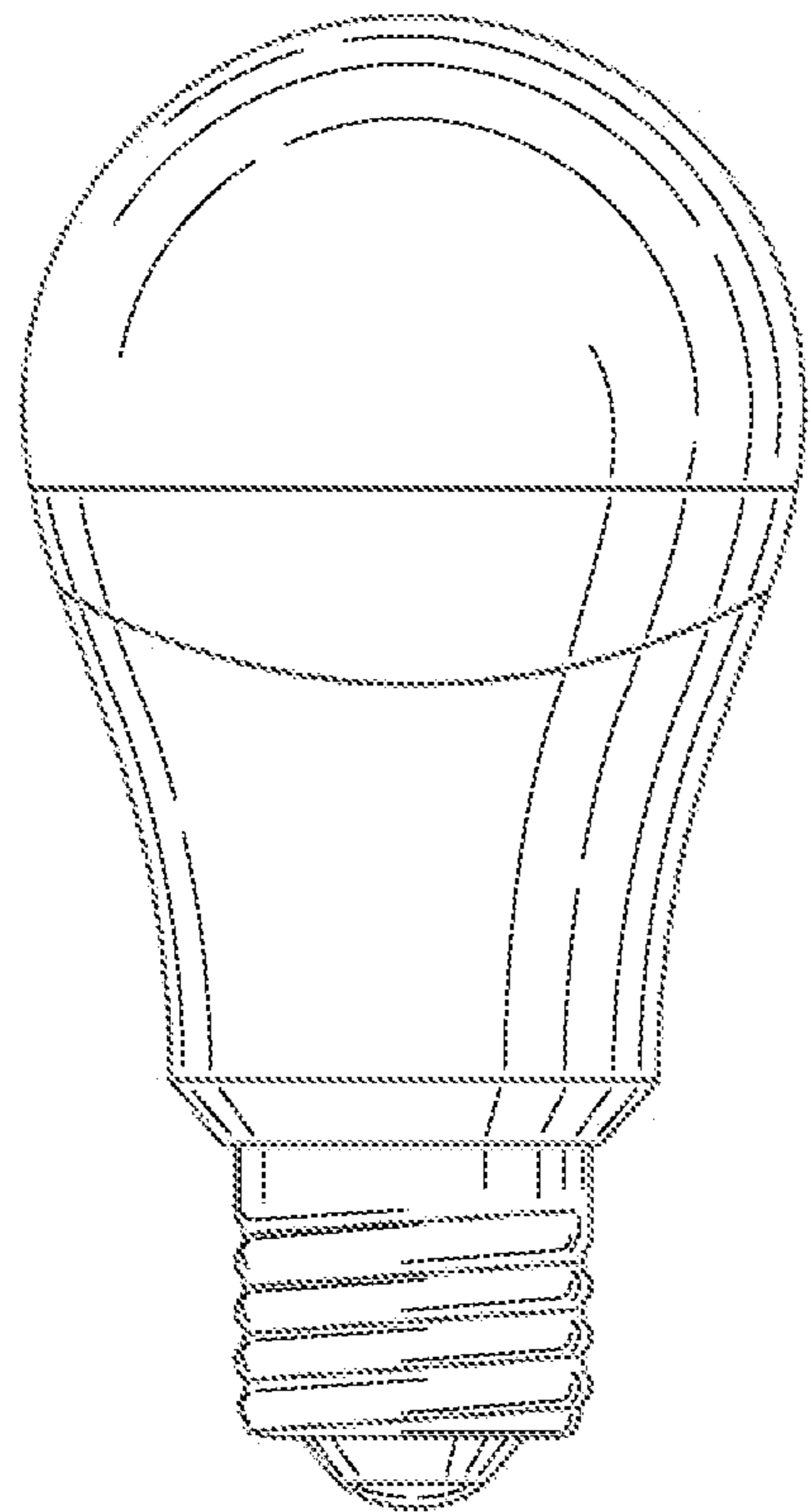


Fig. 48

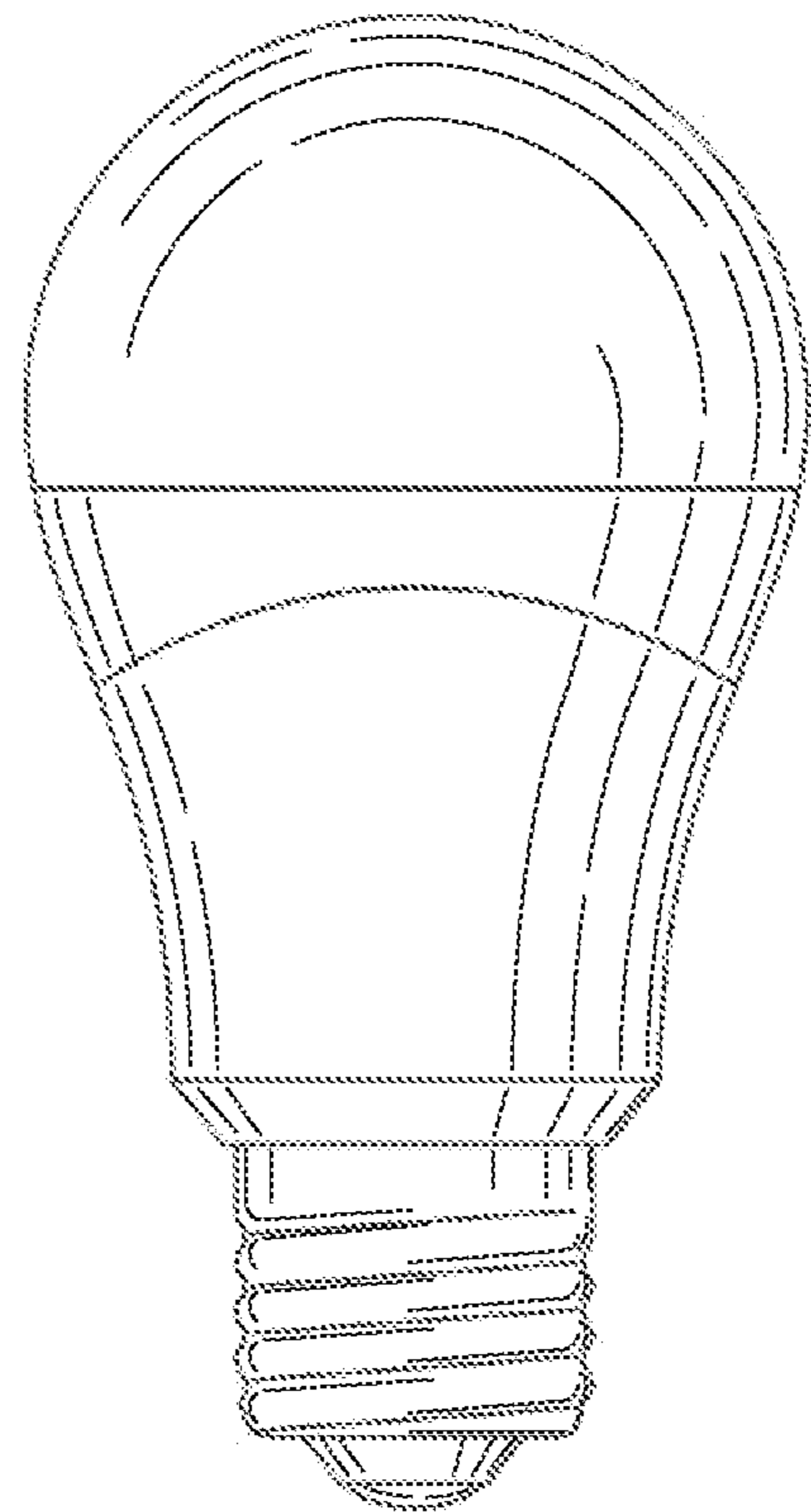


Fig. 49



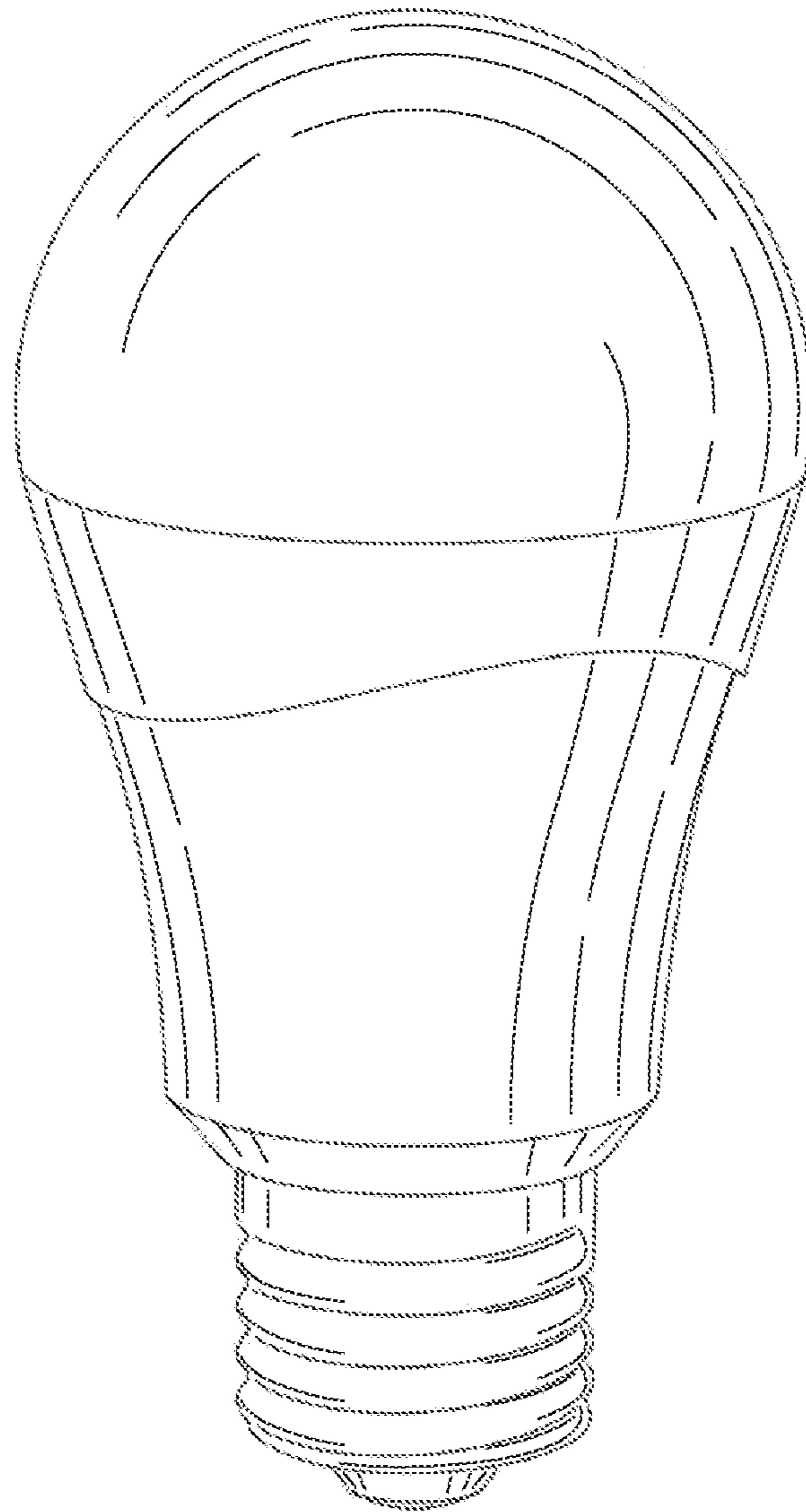


Fig. 50

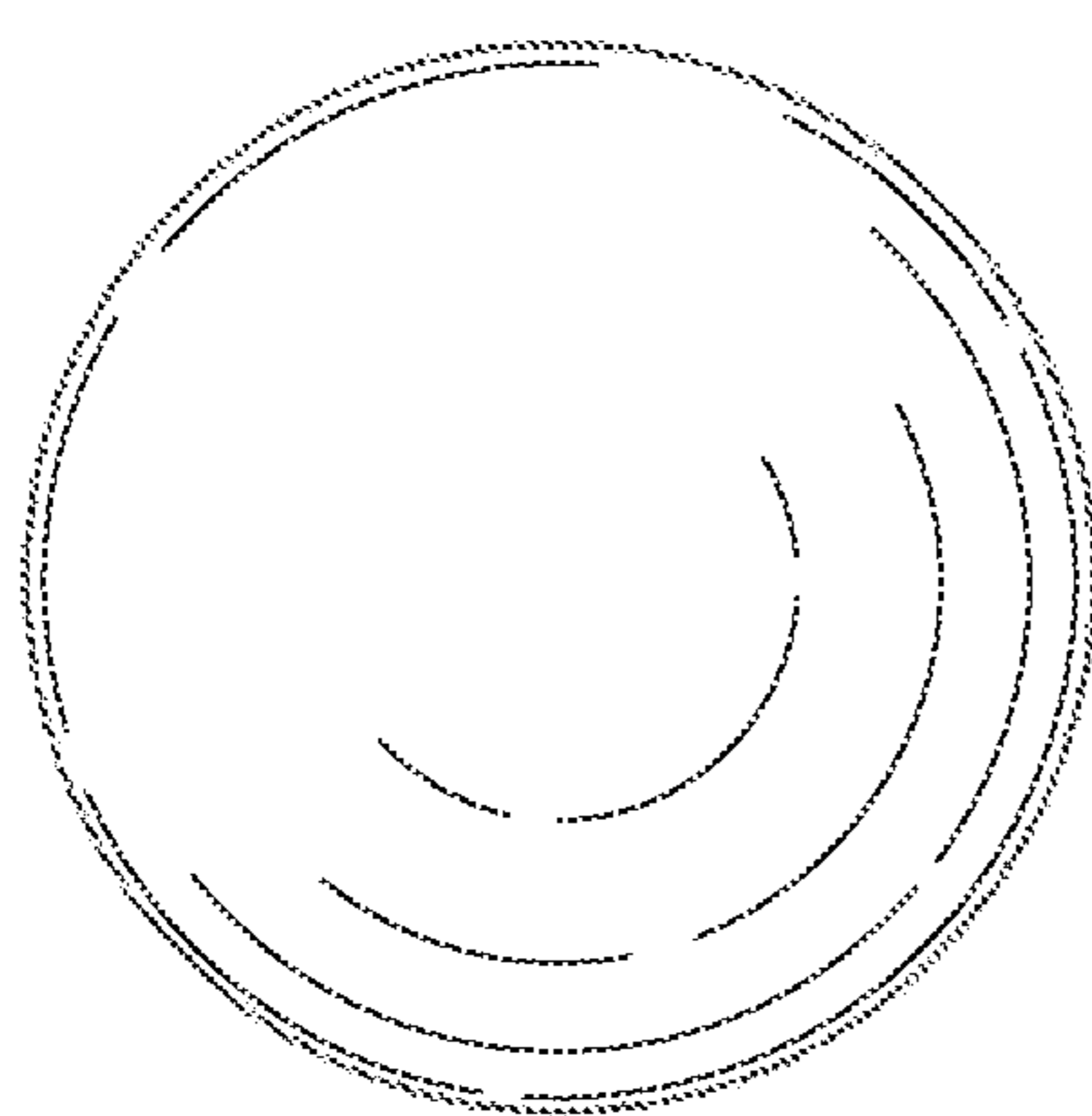


Fig. 51

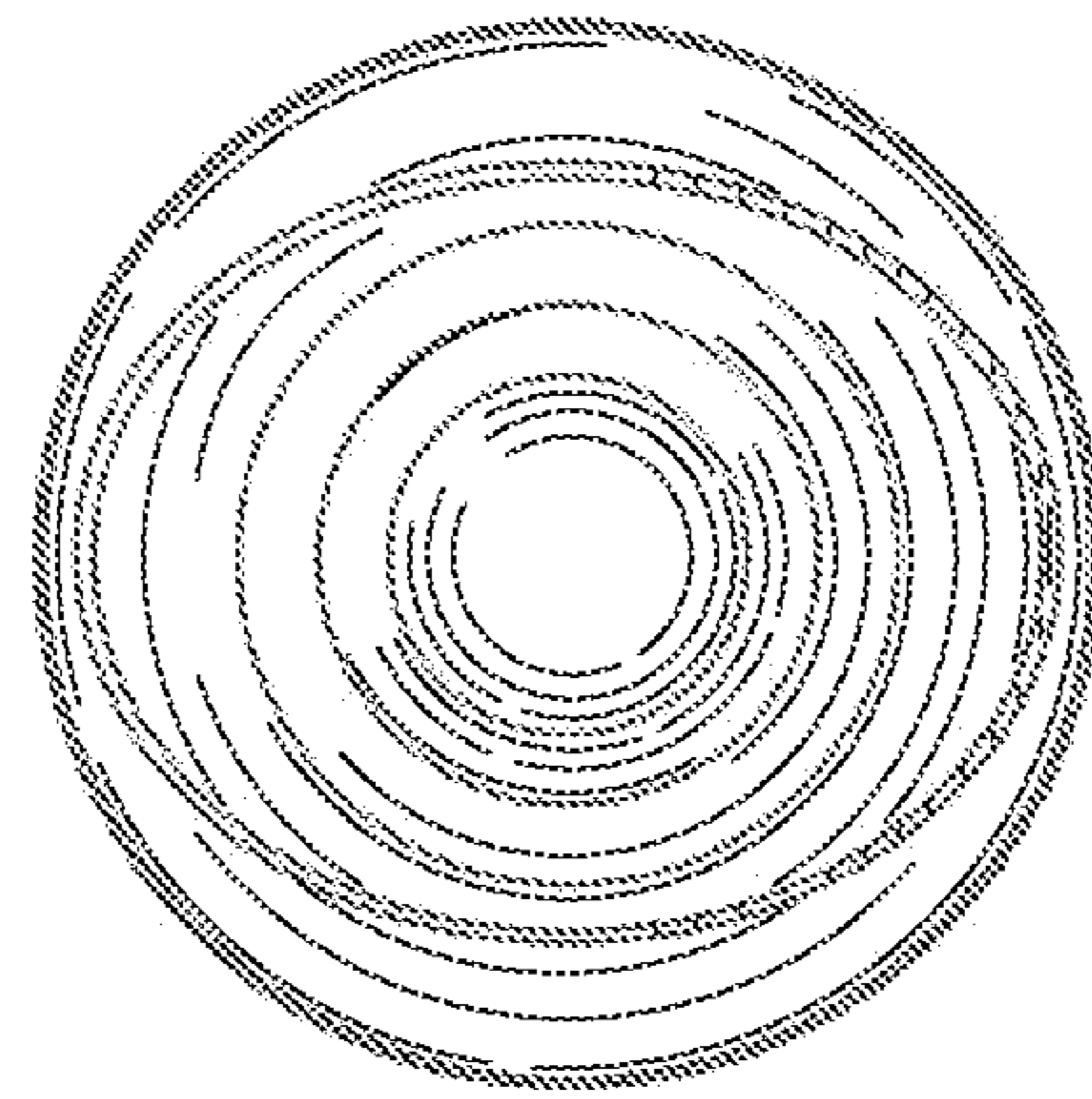


Fig. 52

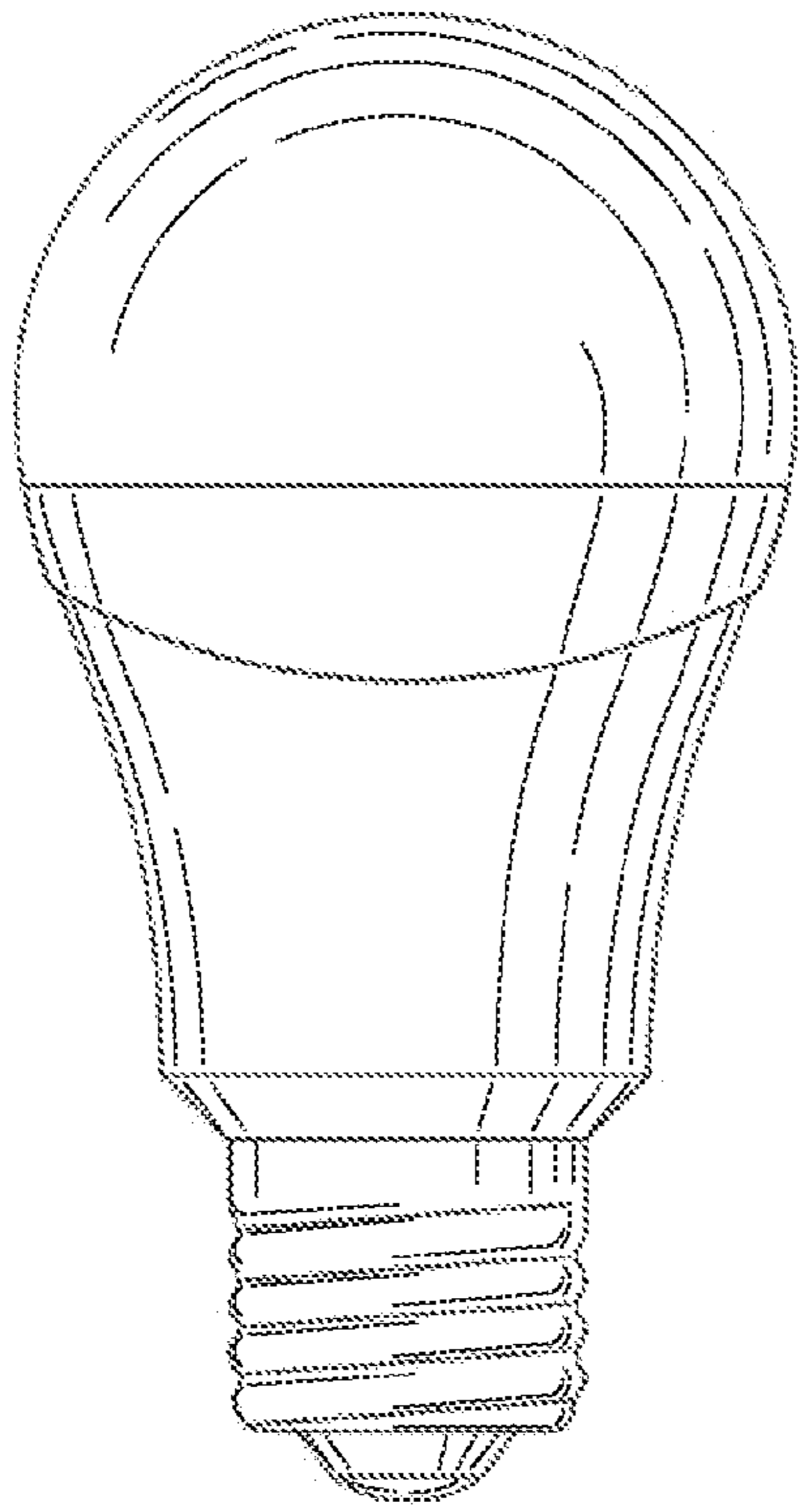


Fig. 53

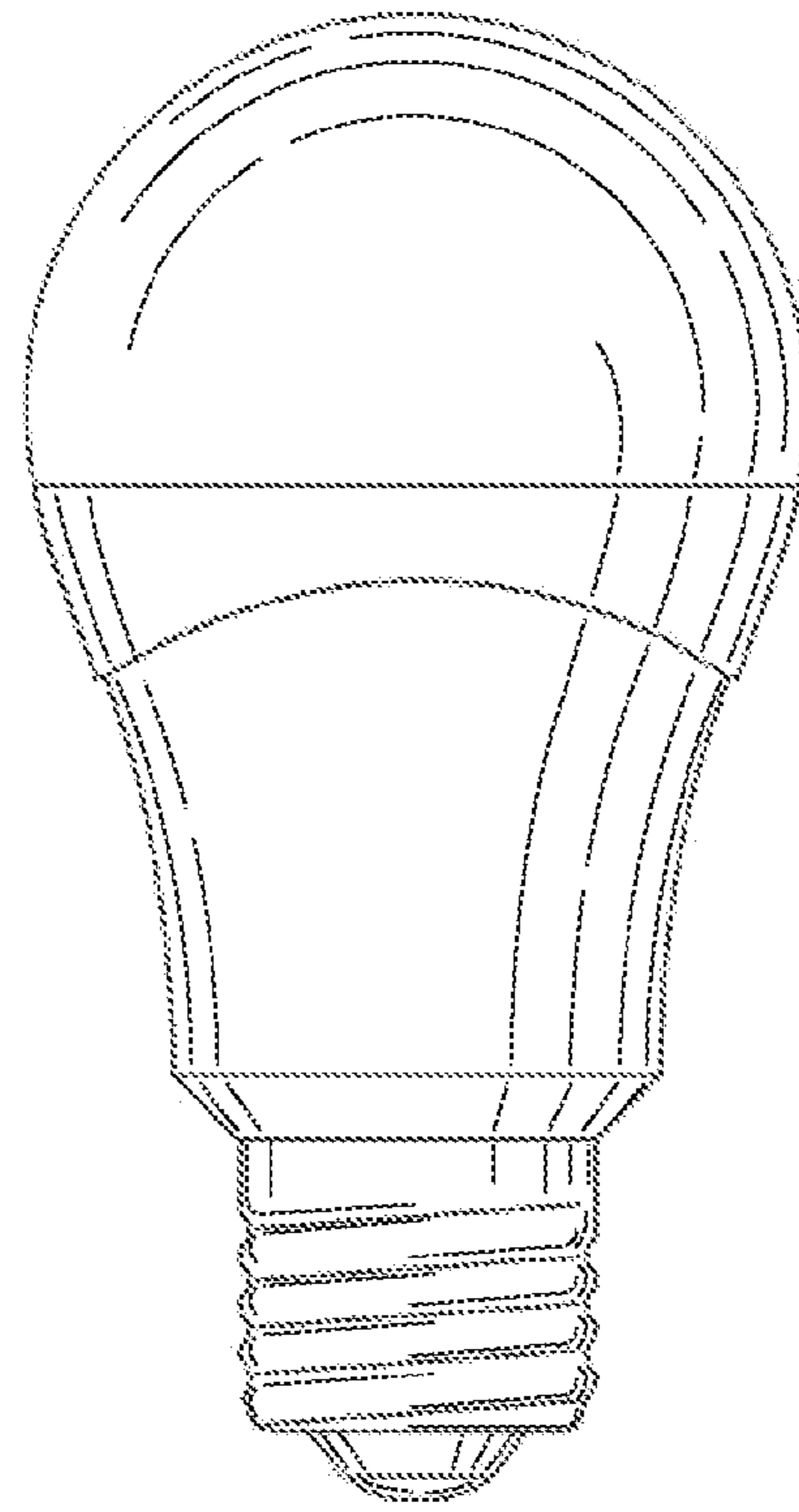


Fig. 54

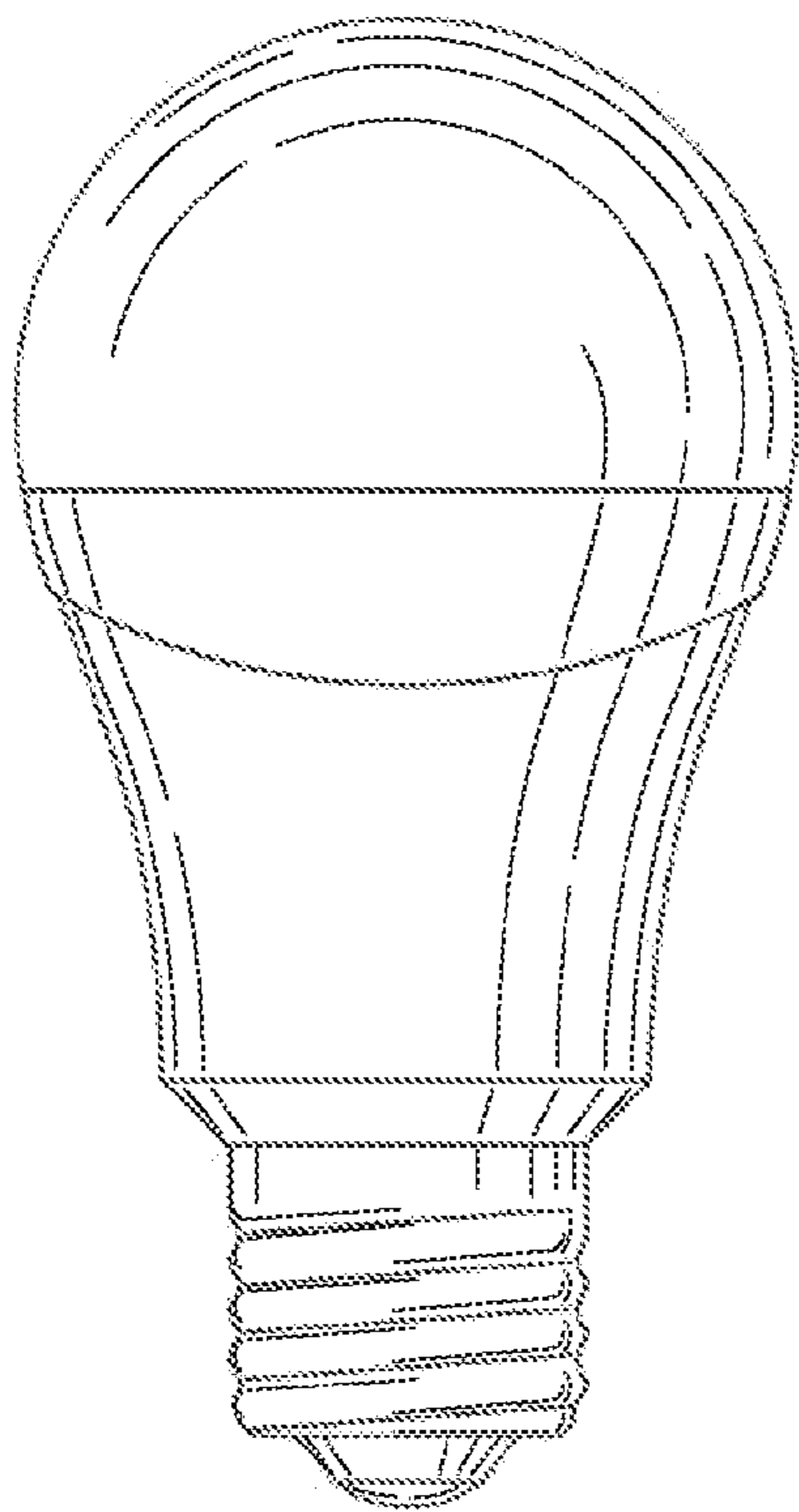


Fig. 55

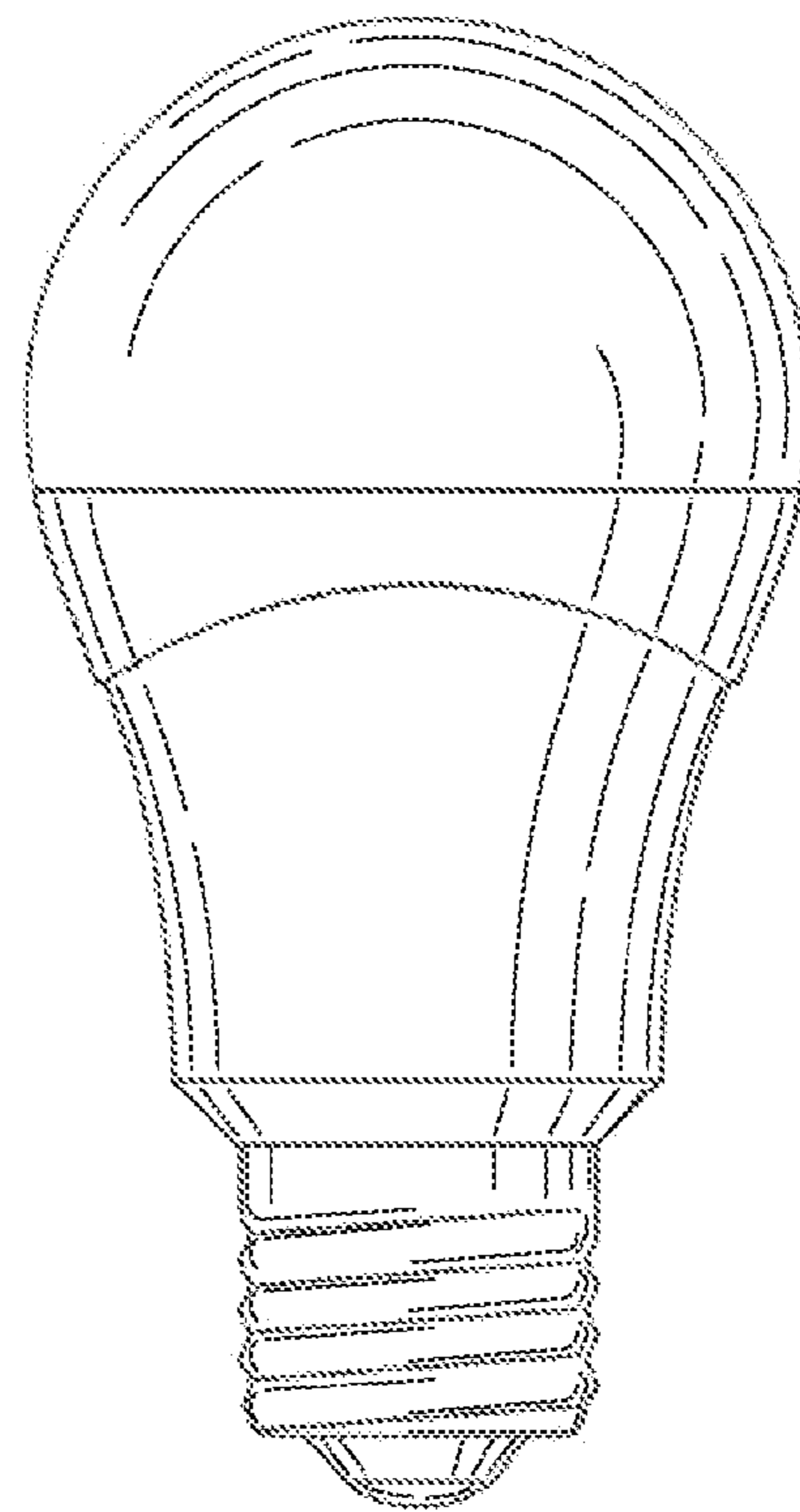


Fig. 56

UNITED STATES PATENT AND TRADEMARK OFFICE  
**CERTIFICATE OF CORRECTION**

PATENT NO. : D685,929 S  
APPLICATION NO. : 29/398596  
DATED : July 9, 2013  
INVENTOR(S) : Reinhard Zetsche

Page 1 of 1

It is certified that error appears in the above-identified patent and that said Letters Patent is hereby corrected as shown below:

On the Title Page:

At item (73), "Ledon Lighting GmbH" should be -- Ledon Lamp GmbH --

Signed and Sealed this  
Twenty-first Day of January, 2014



Michelle K. Lee  
*Deputy Director of the United States Patent and Trademark Office*