



US00D685921S

(12) **United States Design Patent**  
**Scott, IV**

(10) **Patent No.:** **US D685,921 S**  
(45) **Date of Patent:** **\*\* Jul. 9, 2013**

(54) **SHELTER**  
(71) Applicant: **Oscar T. Scott, IV**, Amarillo, TX (US)  
(72) Inventor: **Oscar T. Scott, IV**, Amarillo, TX (US)  
(73) Assignee: **Oscar T. Scott, IV**, Amarillo, TX (US)  
(\*\*) Term: **14 Years**

(21) Appl. No.: **29/443,443**  
(22) Filed: **Jan. 17, 2013**  
(51) **LOC (9) Cl.** ..... **25-03**  
(52) **U.S. Cl.**  
USPC ..... **D25/18**  
(58) **Field of Classification Search**  
USPC ..... D25/1-37; 52/79.1, 79.4; 135/87,  
135/901  
See application file for complete search history.

D397,800 S \* 9/1998 Acevedo-Arjona et al. ... D25/18  
D415,571 S \* 10/1999 Goldwitz ..... D25/1  
D490,533 S \* 5/2004 Lockwood ..... D25/1  
D568,495 S \* 5/2008 Kennedy et al. .... D25/1  
8,375,642 B1 \* 2/2013 Scott, IV ..... 52/2.11  
2005/0166477 A1 \* 8/2005 Chu ..... 52/79.1  
2008/0060691 A1 \* 3/2008 Harker ..... 135/95  
2009/0031621 A1 \* 2/2009 Kitagawa ..... 47/17  
2011/0067321 A1 \* 3/2011 Hijazi ..... 52/79.1  
2011/0083380 A1 \* 4/2011 Thomas ..... 52/79.1  
2012/0192503 A1 \* 8/2012 Connell ..... 52/79.1

\* cited by examiner

*Primary Examiner* — Eric Goodman

(74) *Attorney, Agent, or Firm* — Brian F. Russell; Yudell Isidore Ng Russell PLLC

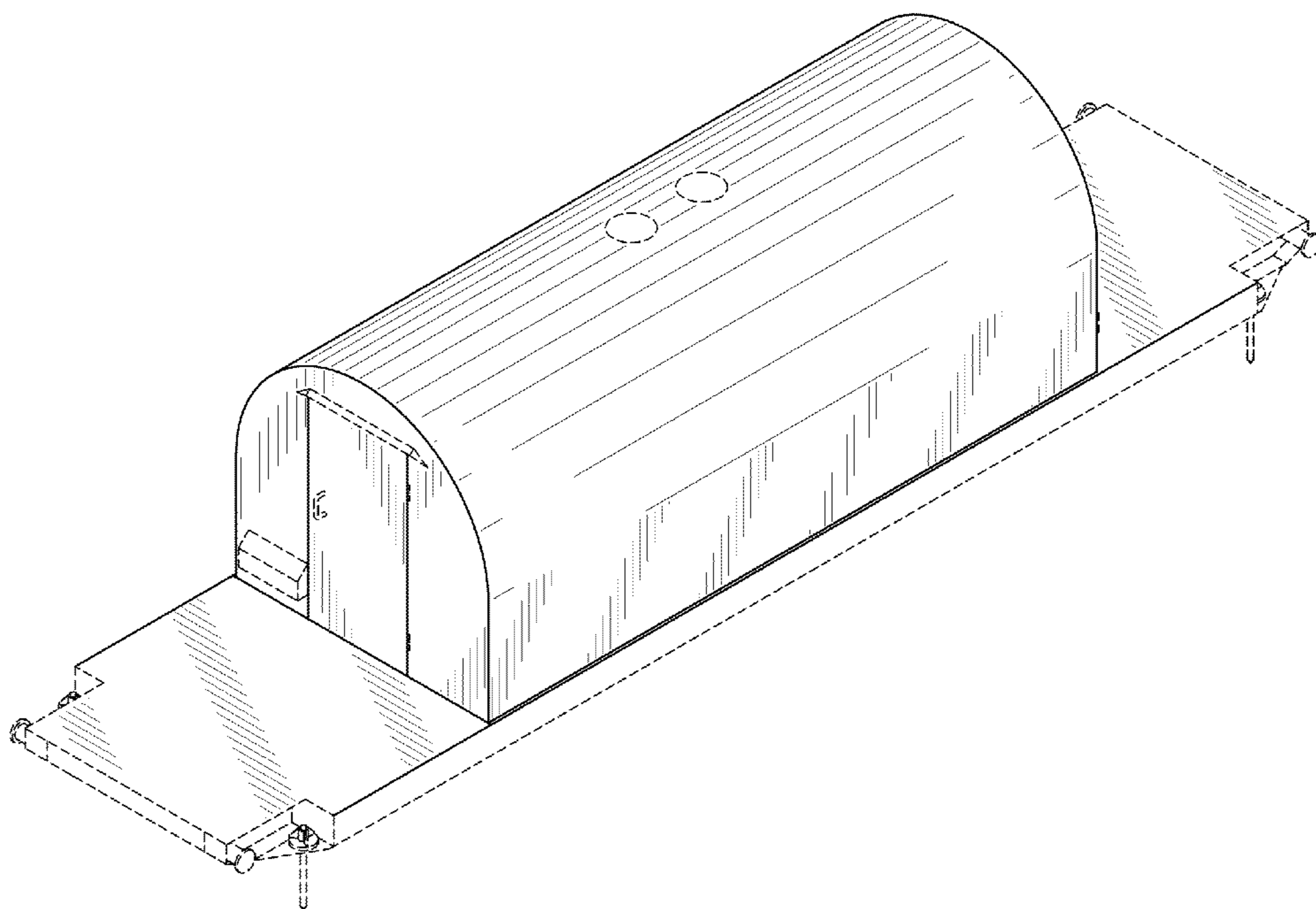
(57) **CLAIM**  
The ornamental design for a shelter, as shown and described.

**DESCRIPTION**

FIG. 1 is a perspective view of a shelter;  
FIG. 2 is a front elevation view thereof;  
FIG. 3 is a rear elevation view thereof;  
FIG. 4 is a right side elevation view thereof;  
FIG. 5 is a left side elevation view thereof;  
FIG. 6 is a top plan view thereof; and,  
FIG. 7 is a bottom plan view of thereof.  
The broken lines are for illustration only and form no part of the claimed design.

(56) **References Cited**  
**U.S. PATENT DOCUMENTS**  
D136,060 S \* 7/1943 Crowe ..... D25/18  
D152,968 S \* 3/1949 Hewlett ..... D25/17  
D221,140 S \* 7/1971 Wood ..... D25/7  
3,798,851 A \* 3/1974 Utahara ..... 52/86  
4,160,340 A \* 7/1979 Levett ..... 47/21.1  
4,653,238 A \* 3/1987 Berman ..... 52/79.4  
4,794,717 A \* 1/1989 Horsmann ..... 43/1  
D299,753 S \* 2/1989 Virgilio ..... D25/15  
D369,670 S \* 5/1996 Queen ..... D25/18  
5,769,011 A \* 6/1998 Daniel ..... 109/7

**1 Claim, 4 Drawing Sheets**



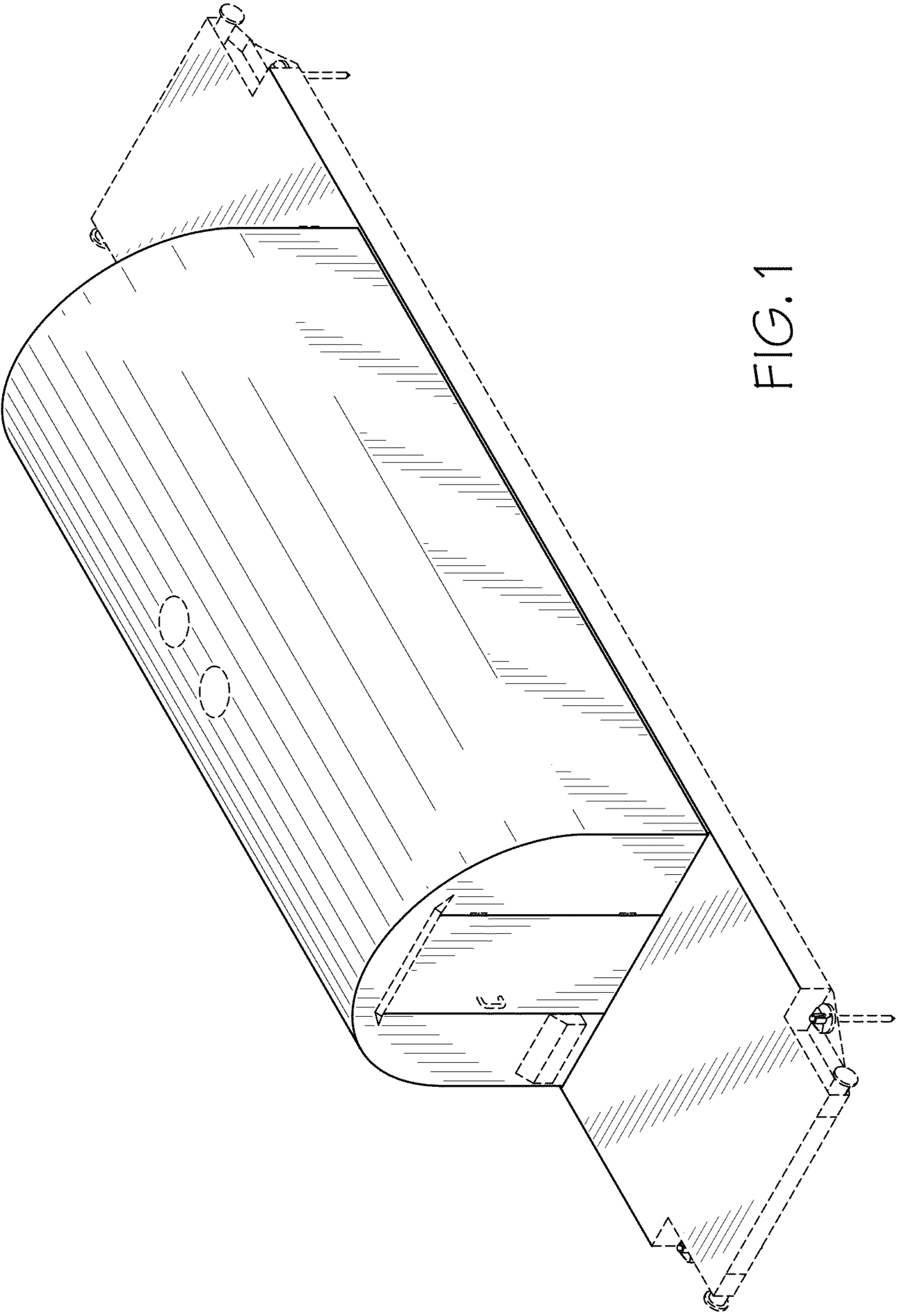


FIG. 1

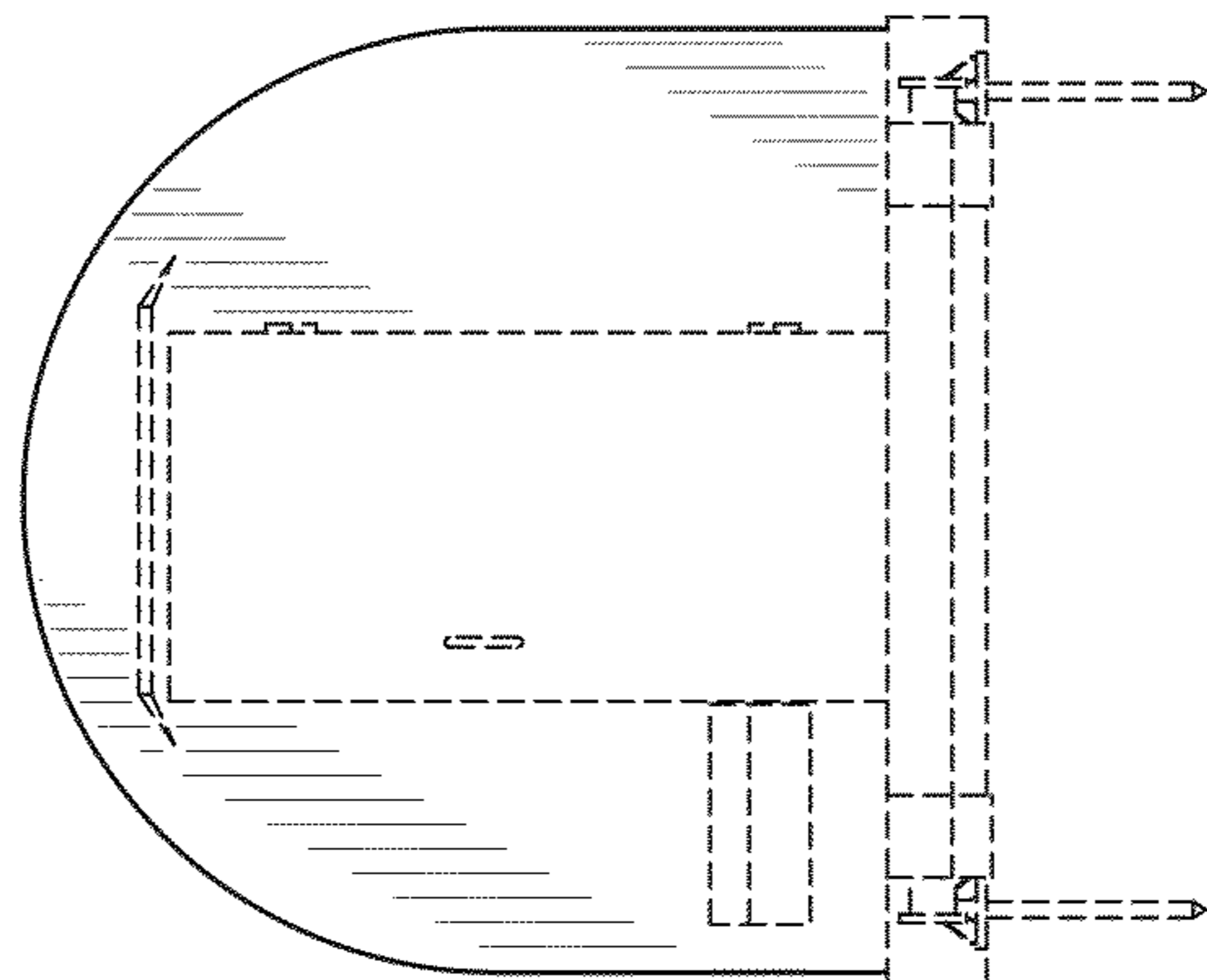


FIG. 2

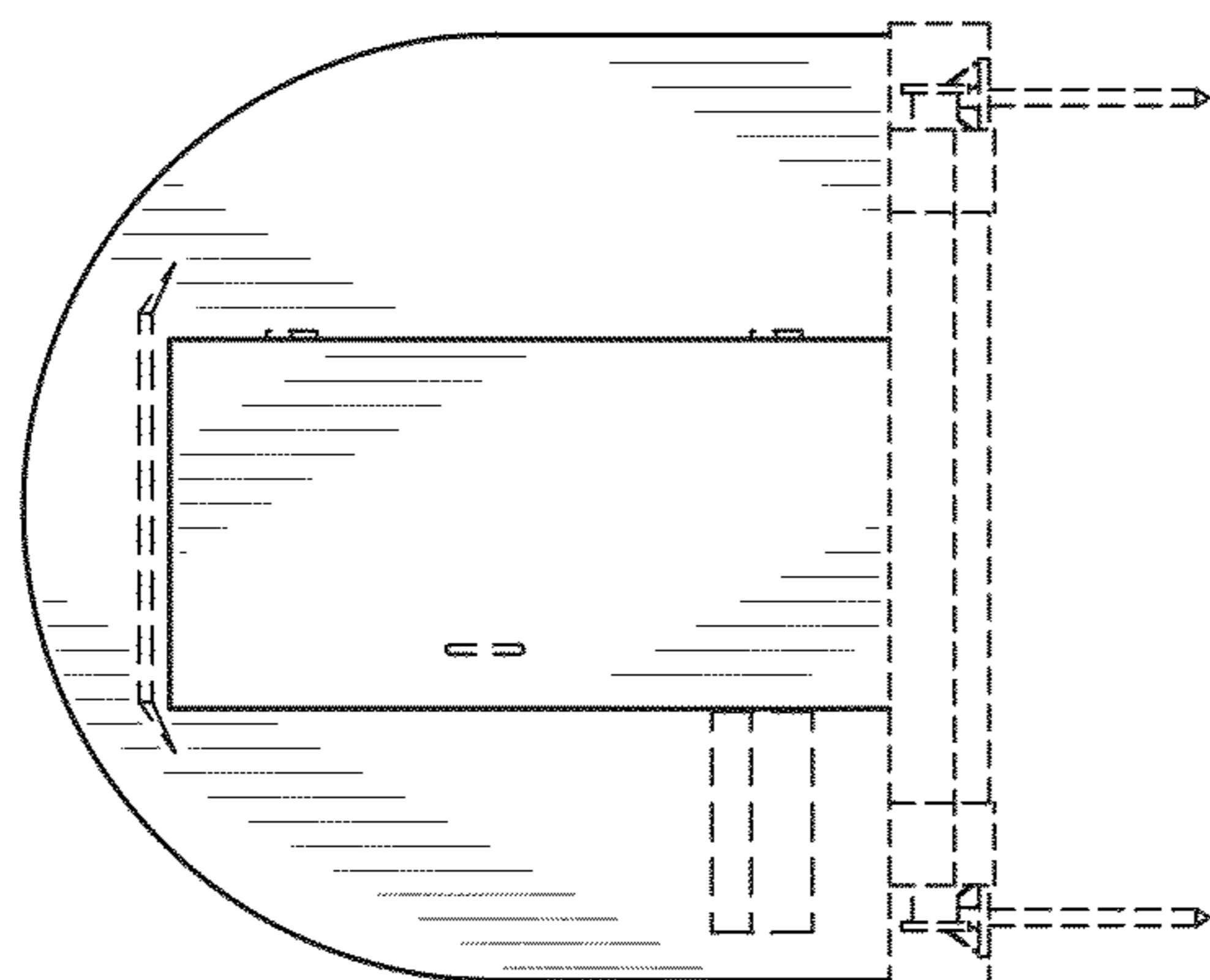


FIG. 3



FIG. 4



FIG. 5



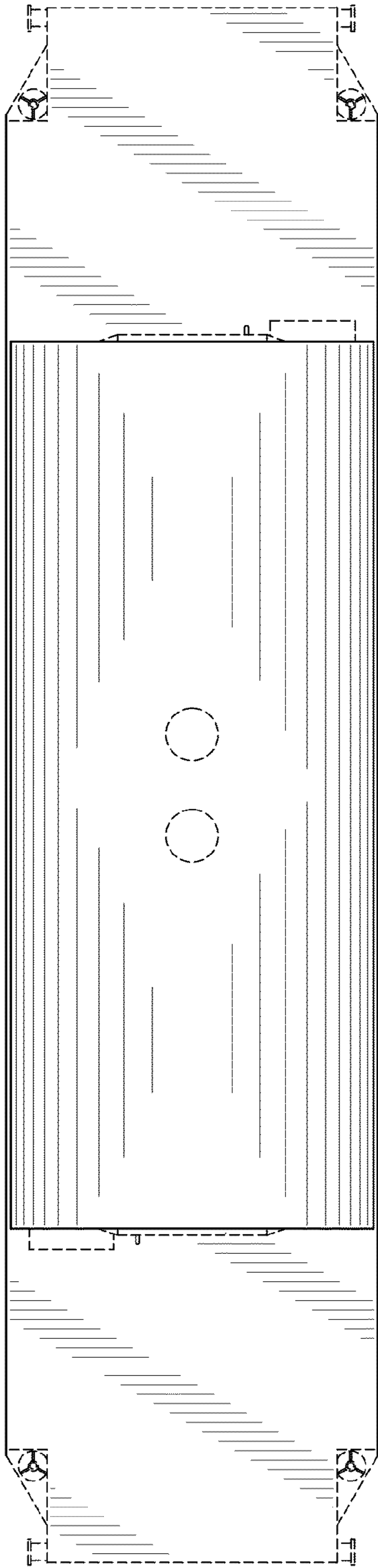


FIG. 6



FIG. 7