



US00D685916S

(12) **United States Design Patent**  
**Hoglund**

(10) **Patent No.:** **US D685,916 S**  
(45) **Date of Patent:** **\*\* Jul. 9, 2013**

(54) **MEDICAL COOLING PAD**  
(71) Applicant: **Medivance Incorporated**, Louisville,  
CO (US)  
(72) Inventor: **Michael R. Hoglund**, Mead, CO (US)  
(73) Assignee: **Medivance Incorporated**, Louisville,  
CO (US)  
(\*\*) Term: **14 Years**

3,867,939 A 2/1975 Moore et al.  
3,900,035 A 8/1975 Welch et al.  
3,927,671 A 12/1975 Chittenden et al.  
3,995,621 A 12/1976 Fletcher et al.  
4,092,982 A 6/1978 Salem  
4,108,146 A 8/1978 Golden  
4,114,620 A 9/1978 Moore et al.  
4,118,946 A 10/1978 Tubin  
4,149,541 A 4/1979 Gammons et al.  
4,154,245 A 5/1979 Daily  
4,161,210 A 7/1979 Reid et al.  
4,195,631 A 4/1980 Baucom  
4,311,022 A 1/1982 Hall

(Continued)

(21) Appl. No.: **29/438,103**

(22) Filed: **Nov. 26, 2012**

(51) **LOC (9) Cl.** ..... **24-04**

(52) **U.S. Cl.**  
USPC ..... **D24/206**

(58) **Field of Classification Search**  
USPC ..... D24/206-208, 189-192, 118; 602/1-7,  
602/17-27, 61-66, 74, 30; 128/112.1, 117.1,  
128/95.1, 96.1, 97.1, 100.1, 101.1, 876;  
606/204, 27; 607/104, 96, 108, 109, 111,  
607/112; D29/121.2, 122, 101.2, 101.5, 120.1,  
D29/121.1, 108; D3/327; D9/707; 601/15,  
601/DIG. 1; 126/204

See application file for complete search history.

(56) **References Cited**

U.S. PATENT DOCUMENTS

D126,970 S \* 5/1941 Albright ..... D24/207  
2,250,325 A 7/1941 Barnes  
2,595,328 A 5/1952 Bowen  
2,602,302 A 7/1952 Poux  
2,726,658 A 12/1955 Chessey  
3,075,529 A 1/1963 Young  
3,091,242 A 5/1963 Johnson, Jr. et al.  
3,212,286 A 10/1965 Curtis  
3,506,013 A 4/1970 Zdenek  
3,734,293 A 5/1973 Biskis

FOREIGN PATENT DOCUMENTS

WO PCT/IL99/00059 A1 9/1999  
WO PCT/US03/010311 A2 10/2003

Primary Examiner — David Muller

(74) *Attorney, Agent, or Firm* — Marsh Fischmann & Breyfogle LLP

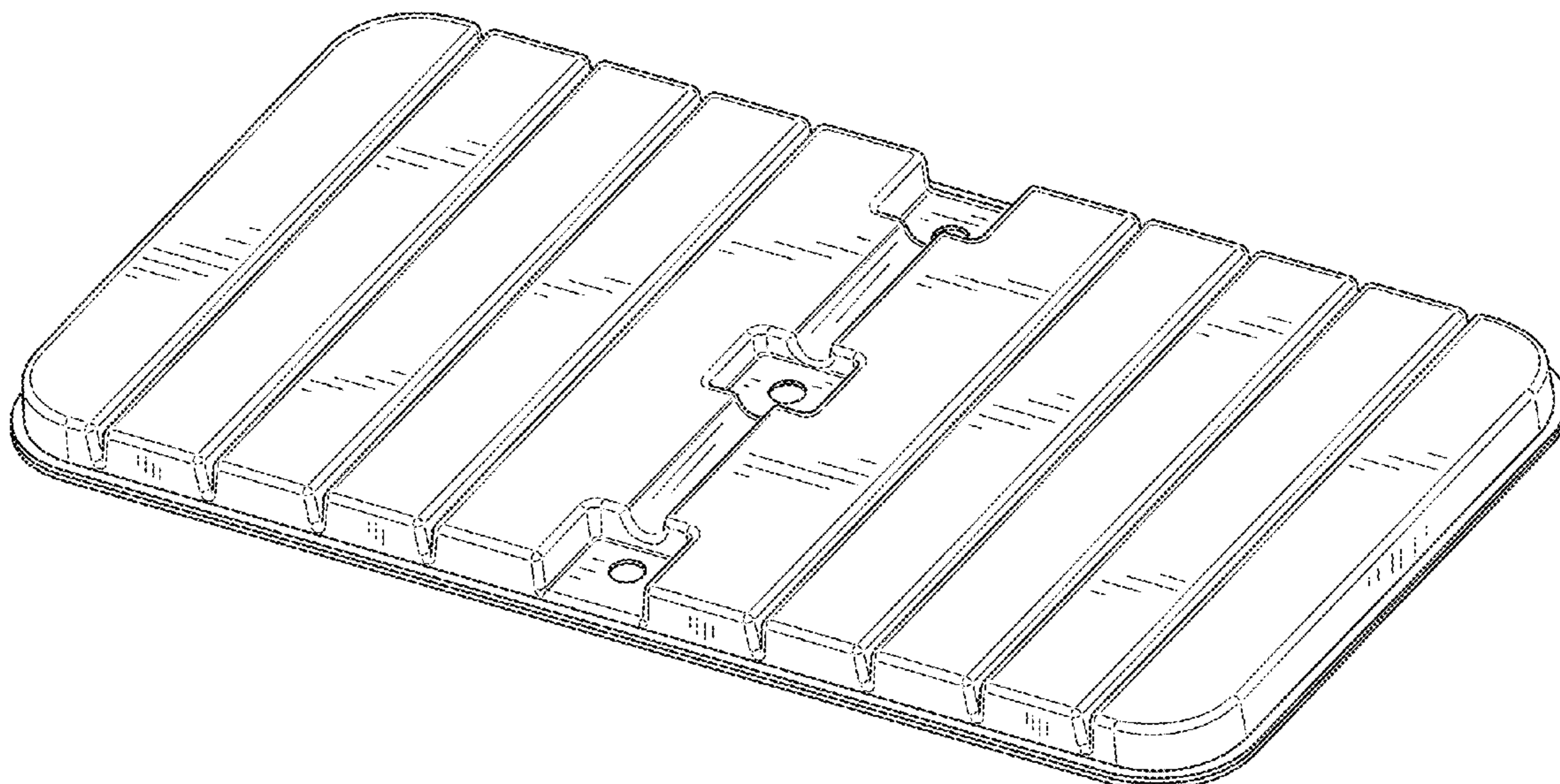
(57) **CLAIM**

The ornamental design for a medical cooling pad, as shown and described.

**DESCRIPTION**

FIG. 1 is a perspective view of a medical cooling pad;  
FIG. 2 is a top view of the medical cooling pad of FIG. 1;  
FIG. 3 is a front elevation view of the medical cooling pad of FIG. 1;  
FIG. 4 is a rear elevation view of the medical cooling pad of FIG. 1;  
FIG. 5 is a right side view of the medical cooling pad of FIG. 1;  
FIG. 6 is a left side view of the medical cooling pad of FIG. 1; and,  
FIG. 7 is a bottom view of the medical cooling pad of FIG. 1.

**1 Claim, 4 Drawing Sheets**



# US D685,916 S

Page 2

U.S. PATENT DOCUMENTS							
4,444,727	A	4/1984	Yanagihara et al.	6,591,630	B2	7/2003	Smith et al.
4,508,123	A	4/1985	Wyatt et al.	6,601,404	B1	8/2003	Roderick
4,580,408	A	4/1986	Stuebner	6,620,187	B2	9/2003	Carson et al.
4,753,241	A	6/1988	Brannigan et al.	D480,971	S *	10/2003	DeLuca et al. .... D9/456
4,834,705	A	5/1989	Vaillancourt	6,645,232	B2	11/2003	Carson
4,846,176	A	7/1989	Golden	6,669,715	B2	12/2003	Hoglund et al.
4,886,063	A	12/1989	Crews	6,682,525	B2	1/2004	Lalonde et al.
4,908,248	A	3/1990	Nakashima et al.	6,688,132	B2	2/2004	Smith et al.
4,919,134	A	4/1990	Streeter	6,692,518	B2	2/2004	Carson
4,962,761	A	10/1990	Golden	6,701,724	B2	3/2004	Smith et al.
4,981,135	A	1/1991	Hardy	6,743,250	B2	6/2004	Renfro
5,000,252	A	3/1991	Faghri	6,755,801	B2	6/2004	Utterberg et al.
5,005,374	A	4/1991	Spitler	6,755,852	B2	6/2004	Lachenbruch et al.
5,062,414	A	11/1991	Grim	6,800,087	B2	10/2004	Papay et al.
5,097,829	A	3/1992	Quisenberry	6,802,885	B2	10/2004	Luk et al.
5,111,668	A	5/1992	Parrish et al.	6,818,012	B2	11/2004	Ellingboe
5,113,666	A	5/1992	Parrish et al.	6,858,068	B2	2/2005	Smith et al.
5,133,348	A	7/1992	Mayn	6,878,156	B1	4/2005	Noda
5,146,625	A	9/1992	Steele et al.	6,904,956	B2	6/2005	Noel
5,190,032	A	3/1993	Zacoi	6,909,074	B1	6/2005	Bradley
5,265,669	A	11/1993	Schneider	6,931,875	B1	8/2005	Allen et al.
D342,790	S *	12/1993	Zona ..... D24/207	6,960,243	B1	11/2005	Smith et al.
5,268,022	A	12/1993	Garrett et al.	6,968,711	B2	11/2005	Smith et al.
5,289,695	A	3/1994	Parrish et al.	6,969,399	B2	11/2005	Schock et al.
5,304,213	A	4/1994	Berke et al.	7,008,445	B2	3/2006	Lennox
5,304,216	A	4/1994	Wallace	7,022,099	B2	4/2006	Litzie et al.
5,383,919	A	1/1995	Kelly et al.	7,052,509	B2	5/2006	Lennox et al.
5,393,462	A	2/1995	Avery	7,055,575	B2	6/2006	Noel
5,409,500	A	4/1995	Dyrek	7,063,718	B2	6/2006	Dobak, III
5,411,541	A	5/1995	Bell et al.	7,077,858	B2	7/2006	Fletcher et al.
5,423,751	A	6/1995	Harrison et al.	7,097,657	B2	8/2006	Noda et al.
5,466,250	A	11/1995	Johnson, Jr. et al.	7,172,586	B1	2/2007	Dae et al.
5,470,353	A	11/1995	Jensen	7,240,720	B2	7/2007	Noel
5,484,448	A	1/1996	Steele et al.	7,303,554	B2	12/2007	Lalonde et al.
5,486,207	A	1/1996	Mahawili	7,303,579	B2	12/2007	Schock et al.
5,514,169	A	5/1996	Dickerhoff et al.	7,338,516	B2	3/2008	Quincy, III et al.
5,545,194	A	8/1996	Augustine	7,377,935	B2	5/2008	Schock et al.
5,605,144	A	2/1997	Simmons et al.	D584,911	S *	1/2009	Hisey et al. .... D6/601
5,609,620	A	3/1997	Daily	7,507,250	B2	3/2009	Lennox
5,624,477	A	4/1997	Armond	RE40,815	E	6/2009	Kudaravalli et al.
5,658,325	A	8/1997	Augustine	7,547,320	B2	6/2009	Schook et al.
5,662,695	A	9/1997	Mason et al.	RE40,868	E	8/2009	Ryba et al.
5,683,439	A	11/1997	Jensen	D599,484	S *	9/2009	Gray et al. .... D24/206
5,733,318	A	3/1998	Augustine	7,621,944	B2	11/2009	Wilson et al.
5,806,335	A	9/1998	Herbert et al.	7,621,945	B2	11/2009	Lennox et al.
5,840,080	A	11/1998	Der Ovanesian	7,666,213	B2	2/2010	Freedman, Jr. et al.
5,843,145	A	12/1998	Brink	D612,504	S *	3/2010	Ha et al. .... D24/189
5,887,437	A	3/1999	Maxim	7,678,716	B2	3/2010	Yahiaoui et al.
5,913,849	A	6/1999	Sundstrom et al.	7,686,840	B2	3/2010	Quincy, III et al.
6,019,783	A	2/2000	Philips et al.	7,727,228	B2	6/2010	Abboud et al.
6,047,106	A	4/2000	Salyer	7,731,739	B2	6/2010	Schock et al.
6,074,415	A	6/2000	Der Ovanesian	7,763,061	B2	7/2010	Schorr et al.
6,083,256	A	7/2000	Der Ovanesian	7,771,461	B2	8/2010	Schock et al.
6,083,418	A	7/2000	Czarnecki et al.	7,799,063	B2	9/2010	Ingram et al.
6,117,164	A	9/2000	Gildersleeve et al.	7,827,815	B2	11/2010	Carson et al.
D436,179	S *	1/2001	Small ..... D24/206	D629,914	S *	12/2010	Hunter ..... D24/207
6,185,744	B1	2/2001	Poholski	8,047,010	B2	11/2011	Carson et al.
6,189,149	B1	2/2001	Allen	D656,235	S *	3/2012	Howell ..... D24/207
D438,628	S *	3/2001	Yen et al. .... D24/206	D657,832	S *	4/2012	Beber et al. .... D24/190
6,197,045	B1	3/2001	Carson	D658,188	S *	4/2012	Diebel ..... D14/440
6,238,427	B1	5/2001	Matta	2003/0149461	A1	8/2003	Johnson
6,257,011	B1	7/2001	Siman-Tov et al.	2003/0150232	A1	8/2003	Brudnicki
D448,170	S *	9/2001	Ammerman et al. .... D3/327	2005/0187502	A1	8/2005	Krempel et al.
6,349,560	B1	2/2002	Maier-Laxhuber et al.	2006/0030916	A1	2/2006	Lennox
6,364,937	B1	4/2002	McMahon	2006/0036304	A1	2/2006	Cordani et al.
6,371,976	B1	4/2002	Vrzalik et al.	2006/0074469	A1	4/2006	Lennox et al.
6,375,674	B1	4/2002	Carson	2006/0124141	A1	6/2006	Dobak, III
6,389,839	B1	5/2002	Sabin	2006/0136023	A1	6/2006	Dobak, III
6,436,130	B1	8/2002	Philips et al.	2006/0161232	A1	7/2006	Kasza et al.
6,454,792	B1	9/2002	Noda et al.	2006/0247744	A1	11/2006	Nest et al.
6,461,379	B1	10/2002	Carson et al.	2006/0276089	A1	12/2006	Amarasinghe et al.
6,463,212	B1	10/2002	Salyer	2006/0287697	A1	12/2006	Lennox
6,503,297	B1	1/2003	Lu et al.	2007/0043409	A1	2/2007	Brian, III et al.
6,508,831	B1	1/2003	Kushnir	2007/0225782	A1	9/2007	Taylor
6,508,859	B1	1/2003	Zia et al.	2007/0270925	A1	11/2007	Levinson
6,511,502	B2	1/2003	Fletcher	2008/0027523	A1	1/2008	Behringer et al.
6,559,096	B1	5/2003	Smith et al.	2008/0255644	A1	10/2008	Carson
6,584,797	B1	7/2003	Smith et al.	2008/0275534	A1	11/2008	Noel
				2009/0088825	A1	4/2009	Ota

# US D685,916 S

Page 3

---

2009/0099629	A1	4/2009	Carson et al.	2010/0168825	A1	7/2010	Barbknecht et al.
2009/0131835	A1	5/2009	Voorhees et al.	2011/0313497	A1	12/2011	McFarlane
2009/0177184	A1	7/2009	Christensen et al.	2012/0046720	A1	2/2012	Ishizaki
2009/0287283	A1	11/2009	Biser et al.				
2009/0326619	A1	12/2009	Kagan				
2010/0016933	A1	1/2010	Chen et al.				

\* cited by examiner

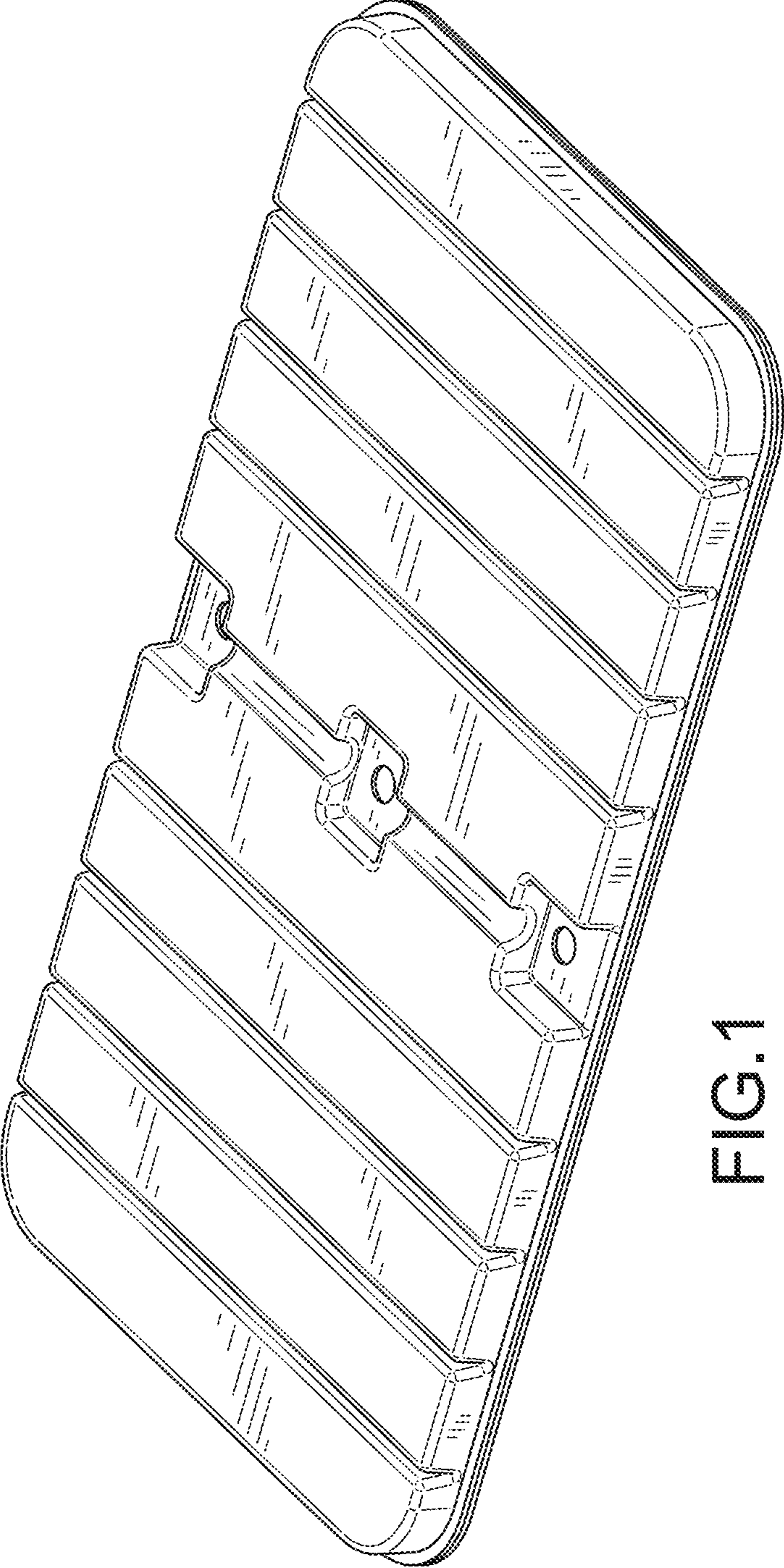


FIG.1

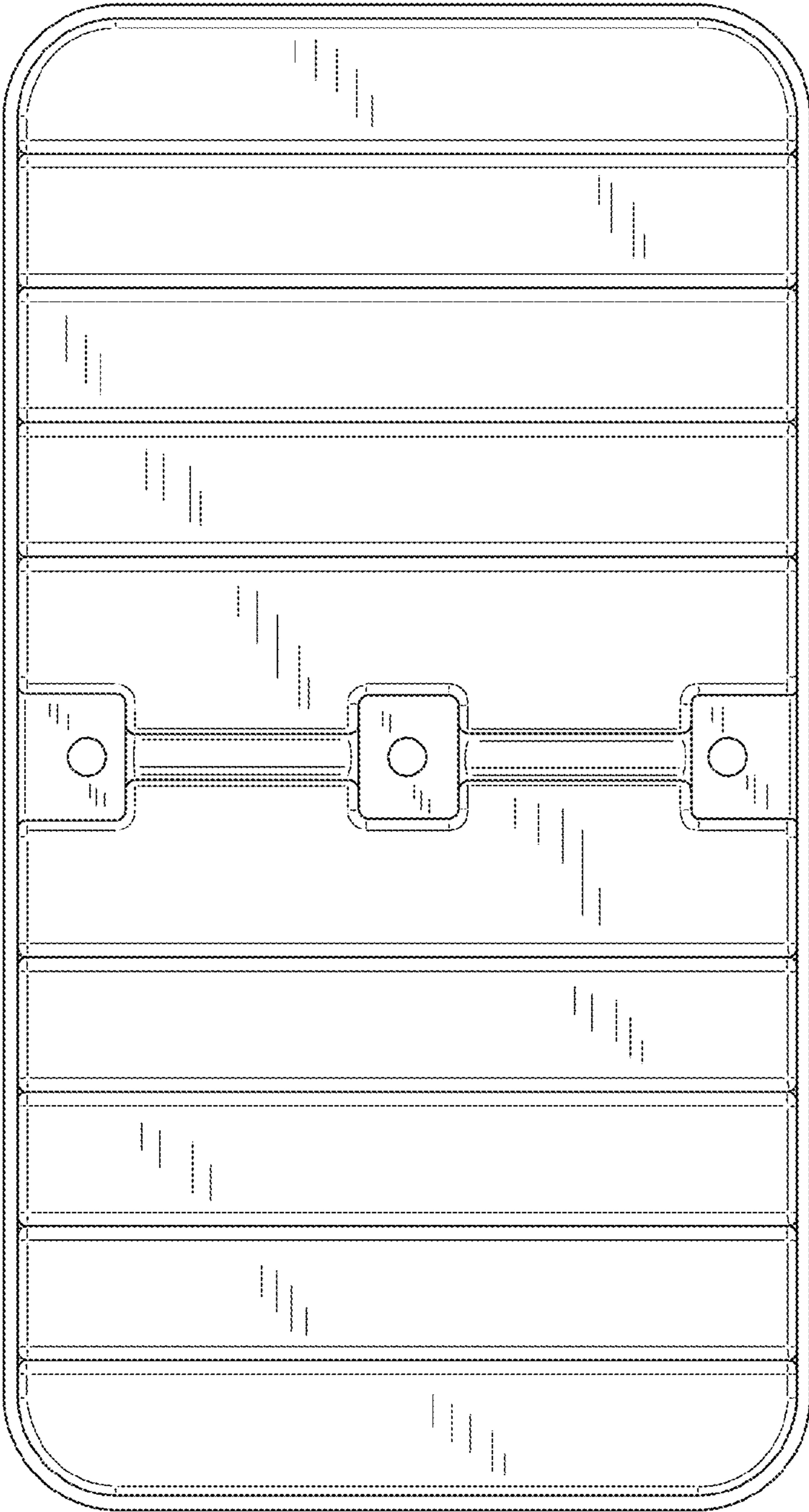


FIG. 2



FIG. 3



FIG. 4



FIG. 5

FIG. 6

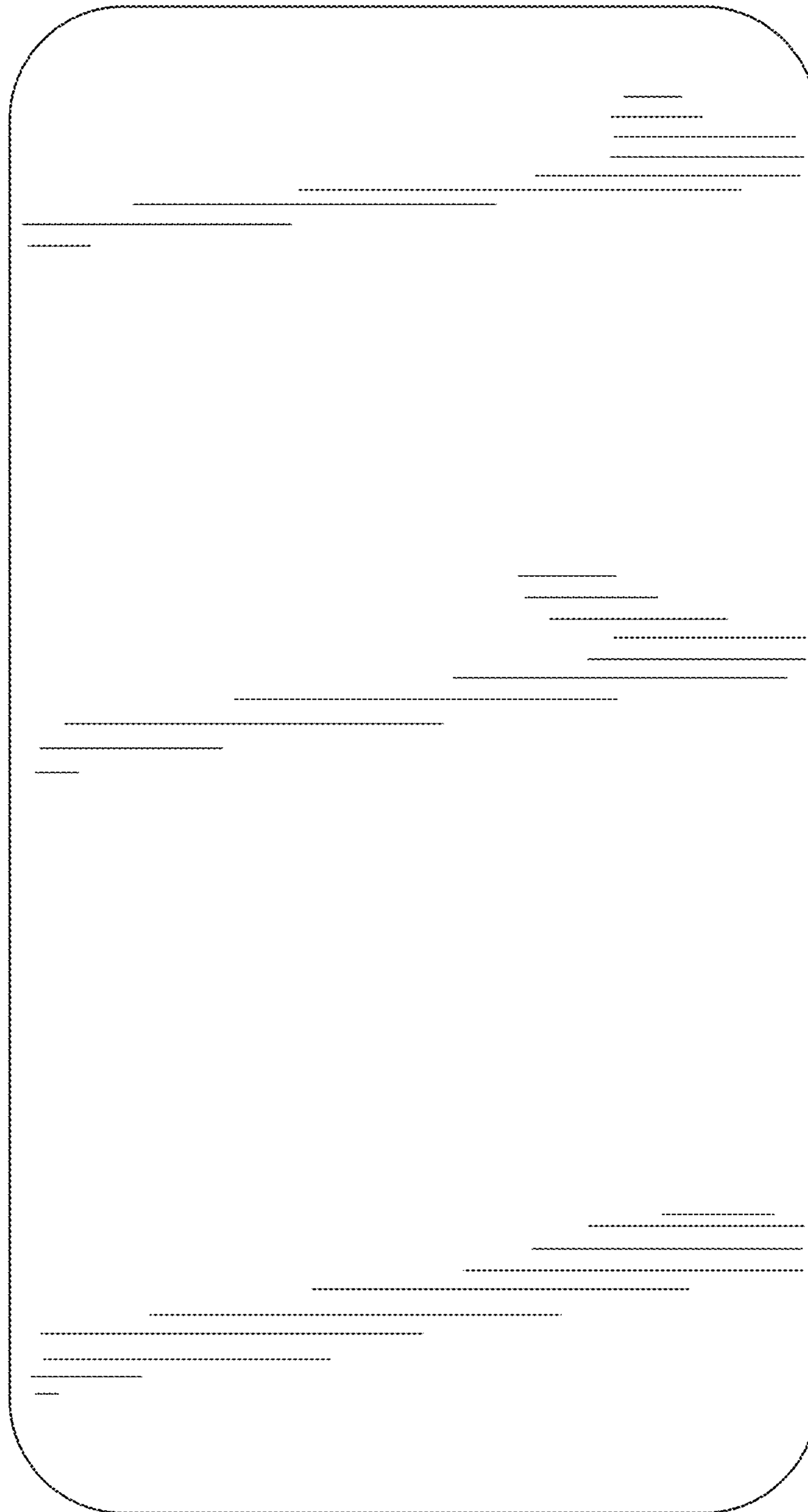


FIG. 7