



US00D685914S

(12) **United States Design Patent**  
**Corrigan et al.**

(10) **Patent No.:** **US D685,914 S**  
(45) **Date of Patent:** **\*\* Jul. 9, 2013**

(54) **BIOMEDICAL TESTING DEVICE**  
(75) Inventors: **Christopher Corrigan**, Seattle, WA (US); **Matthew Marzynski**, Seattle, WA (US); **Edmond C. Eng**, Kirkland, WA (US)

(73) Assignee: **Fluke Corporation**, Everett, WA (US)

(\*\*) Term: **14 Years**

(21) Appl. No.: **29/426,927**

(22) Filed: **Jul. 11, 2012**

(51) **LOC (9) Cl.** ..... **24-01**

(52) **U.S. Cl.**  
USPC ..... **D24/186**

(58) **Field of Classification Search**  
USPC ..... D24/107, 155, 158, 164, 165, 167, D24/169, 170, 185-187, 216, 231; 600/300, 600/301, 368, 372, 490, 493-495, 499-501, 600/529, 544, 554, 561; D10/31, 78, 81; D14/336; 434/236, 262; 128/900, 903-904  
See application file for complete search history.

(56) **References Cited**

**U.S. PATENT DOCUMENTS**

D332,833 S \* 1/1993 Lauks et al. .... D10/78  
D392,043 S \* 3/1998 Cooper et al. .... D24/186

D400,255 S \* 10/1998 Myers et al. .... D24/186  
D447,569 S \* 9/2001 Baily et al. .... D24/186  
D554,266 S \* 10/2007 Striepe et al. .... D24/186  
D584,975 S \* 1/2009 Haberstroh ..... D10/81  
D608,452 S \* 1/2010 Huang ..... D24/186  
D652,522 S \* 1/2012 Koester ..... D24/186  
D678,531 S \* 3/2013 Patil ..... D24/186

\* cited by examiner

*Primary Examiner* — T. Chase Nelson

*Assistant Examiner* — Mark Cavanna

(74) *Attorney, Agent, or Firm* — Christensen O'Connor Johnson Kindness PLLC

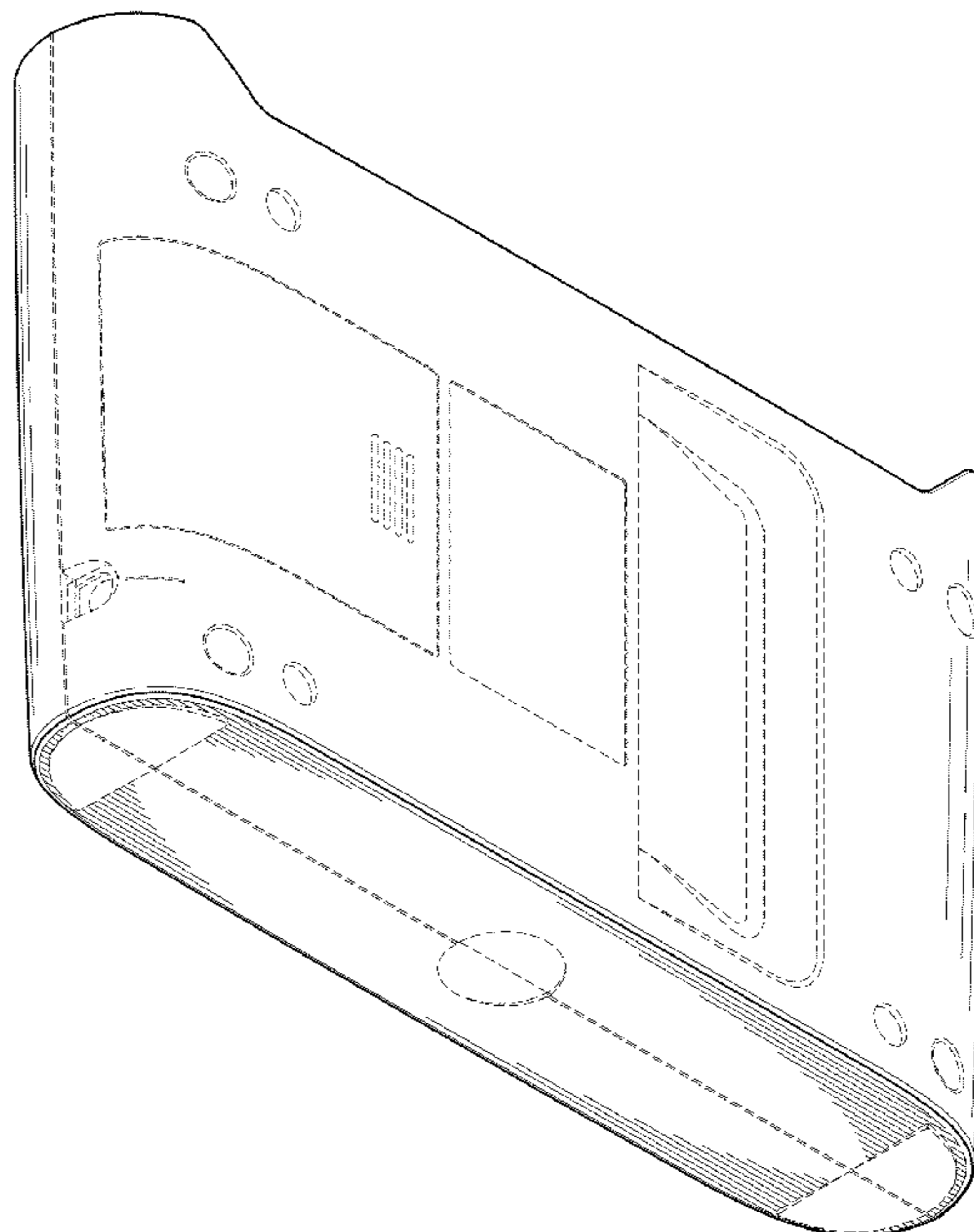
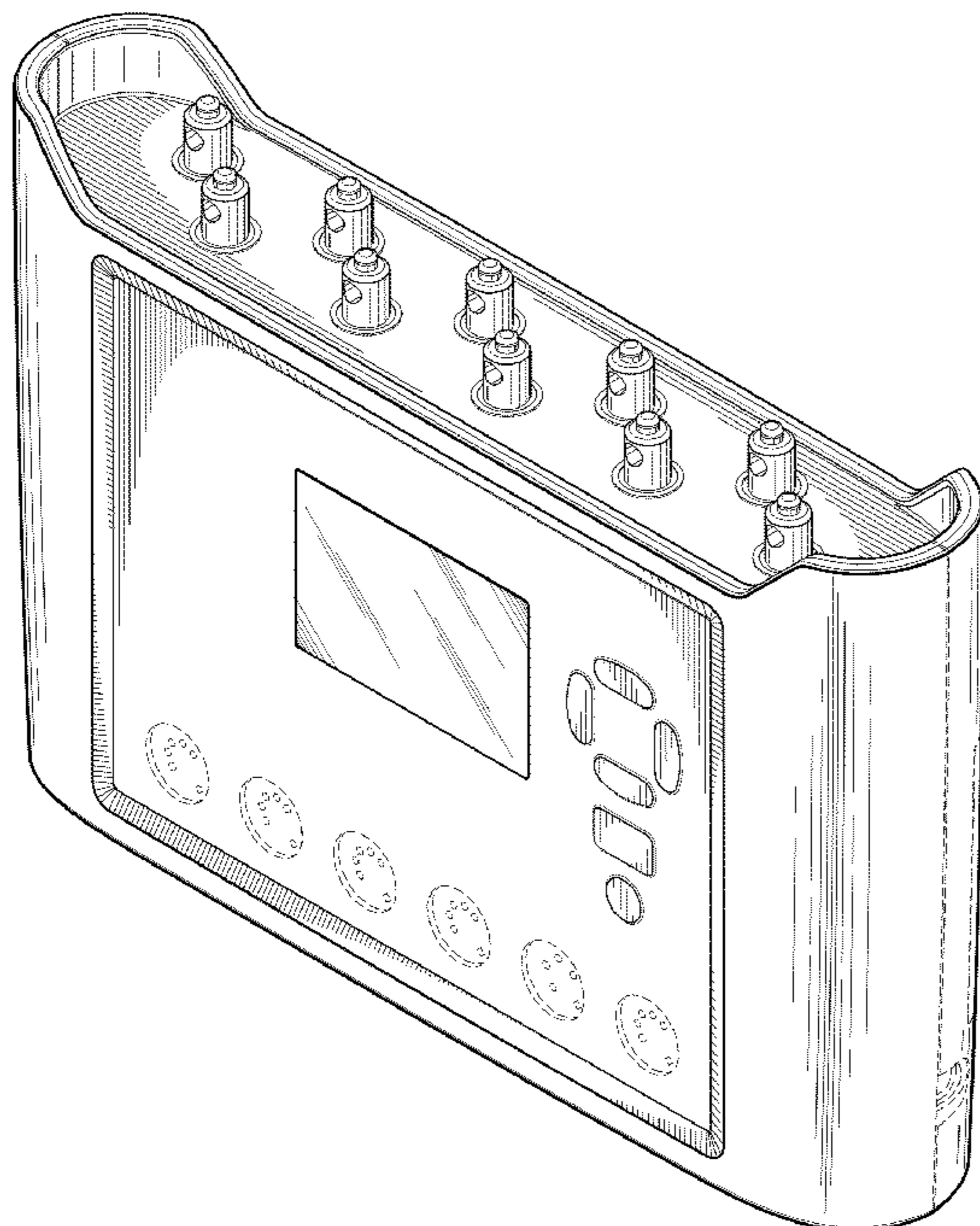
(57) **CLAIM**

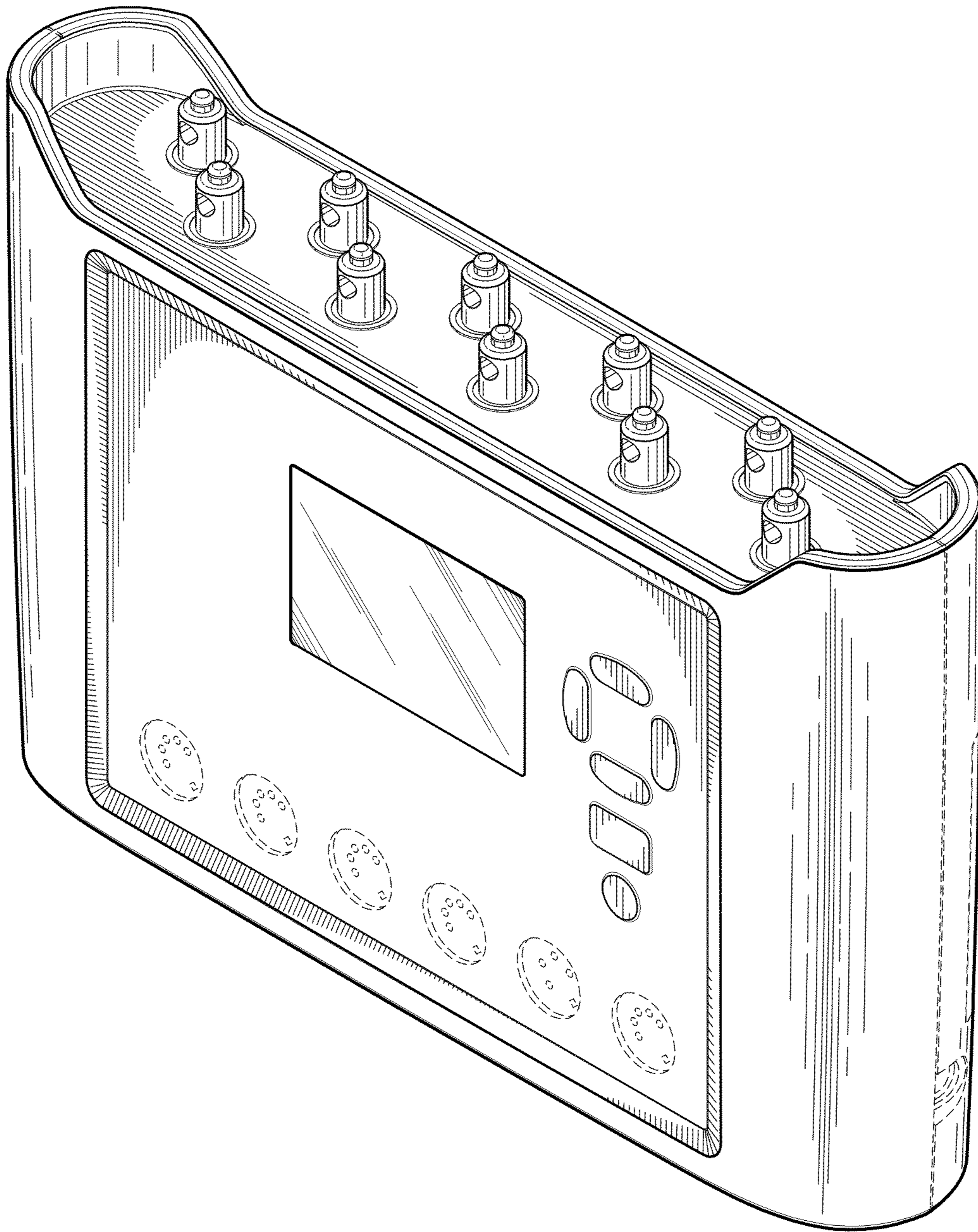
The ornamental design for a biomedical testing device, as shown and described.

**DESCRIPTION**

FIG. 1 is an upper front right perspective view of a biomedical testing device showing our new design; FIG. 2 is a front elevation view thereof; FIG. 3 is a rear elevation view thereof; FIG. 4 is a top plan view thereof; FIG. 5 is a bottom plan view thereof; FIG. 6 is a left side elevation view thereof; FIG. 7 is a right side elevation view thereof; and, FIG. 8 is a lower rear right perspective view thereof. The broken lines shown in FIGS. 1-8 illustrate environmental subject matter and form no part of the claimed design.

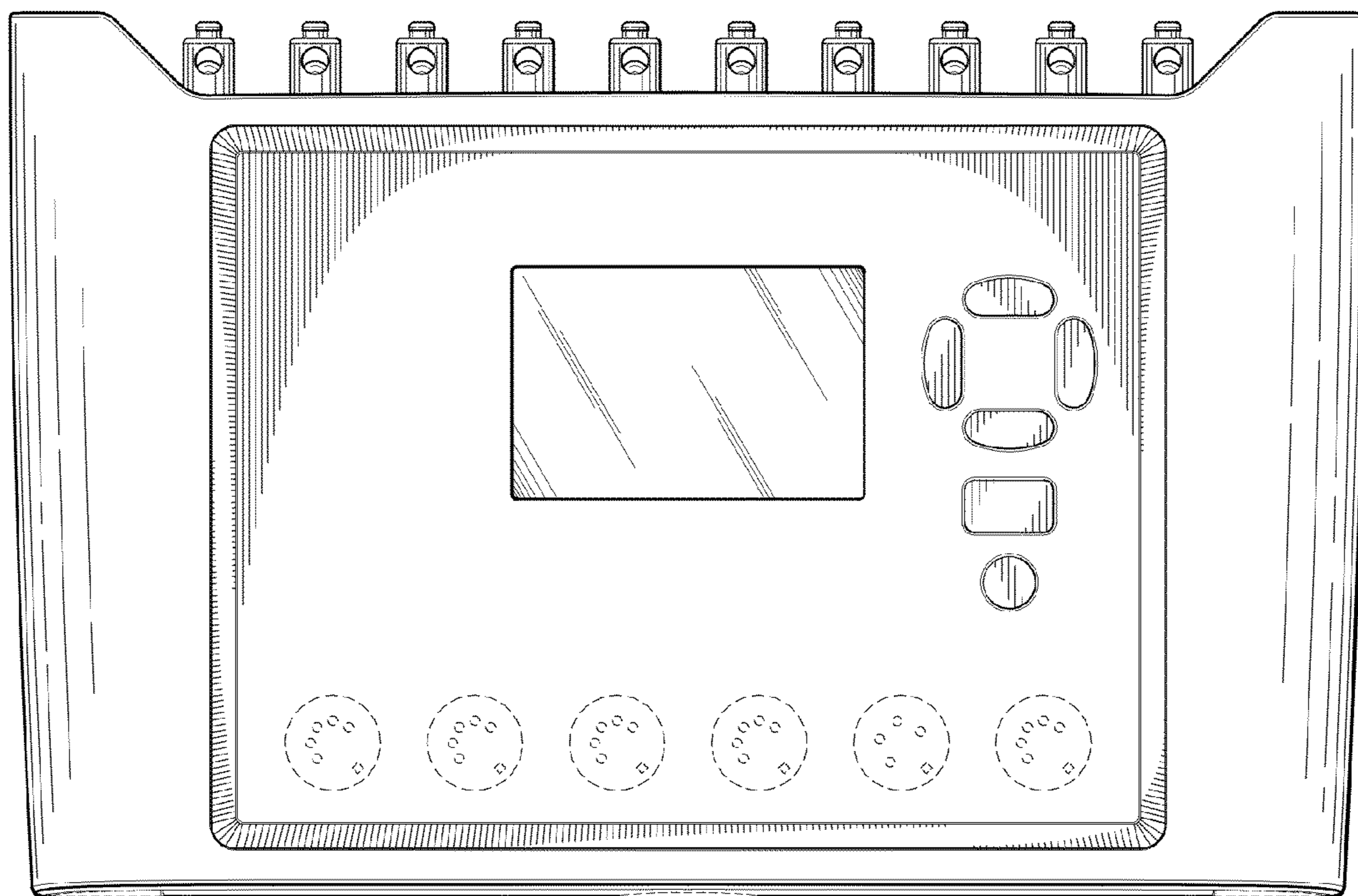
**1 Claim, 6 Drawing Sheets**



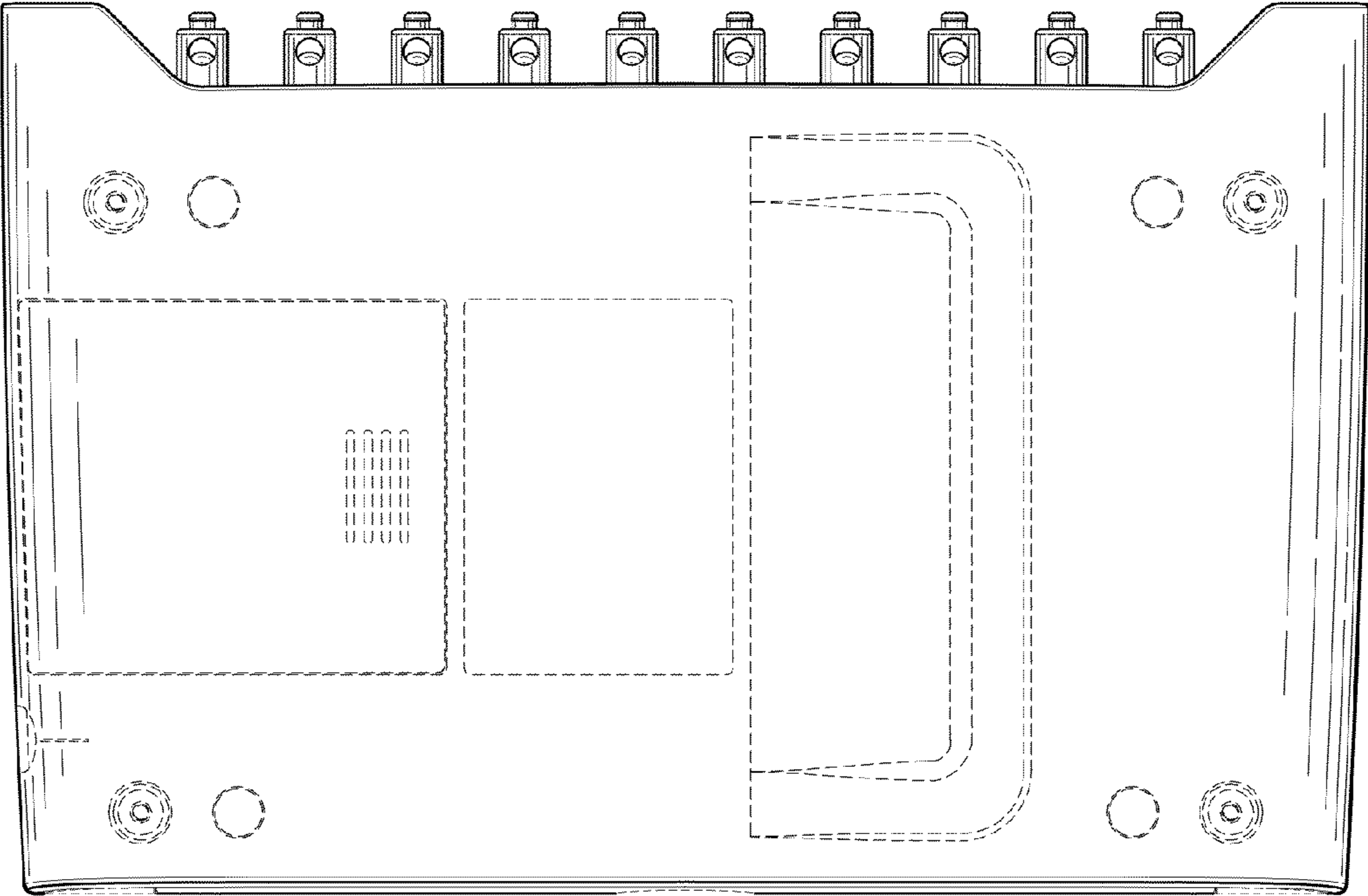


*Fig. 1.*

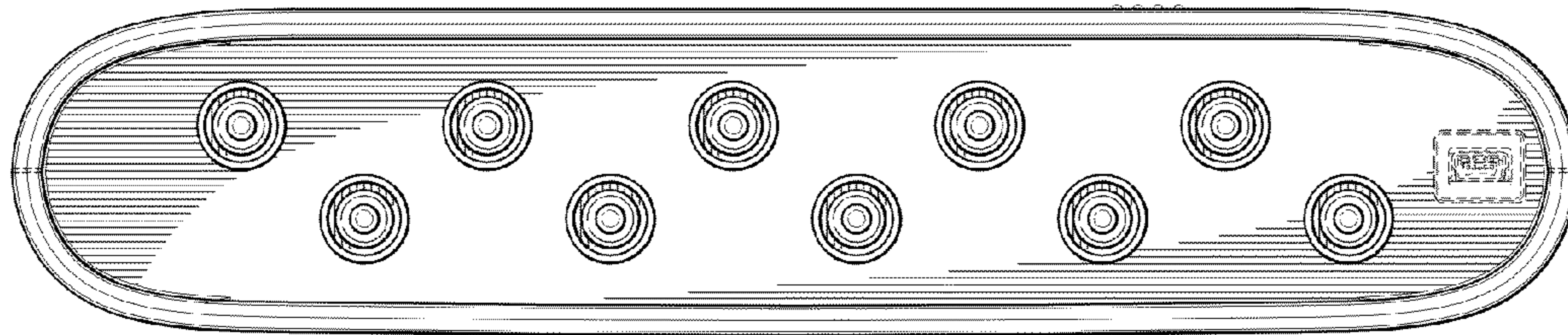




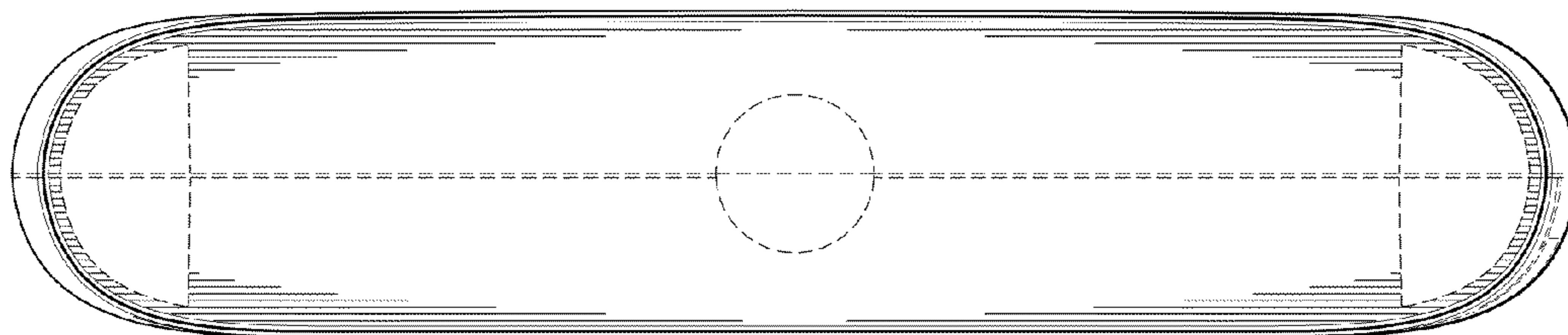
*Fig. 2.*



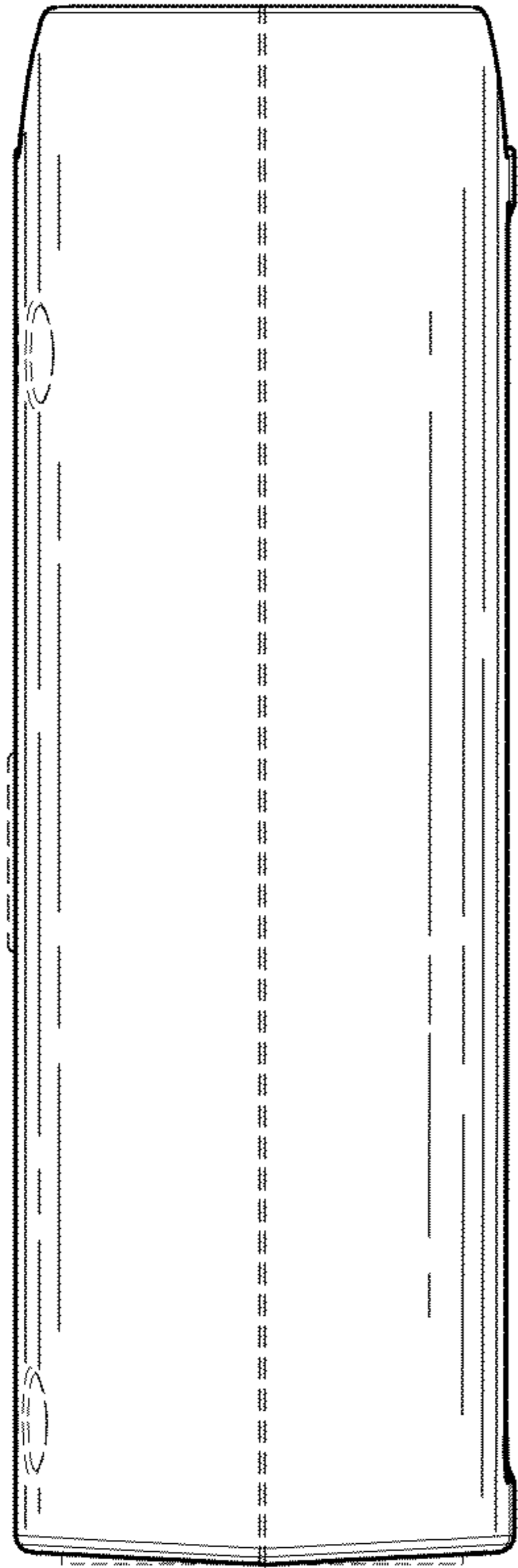
*Fig. 3.*



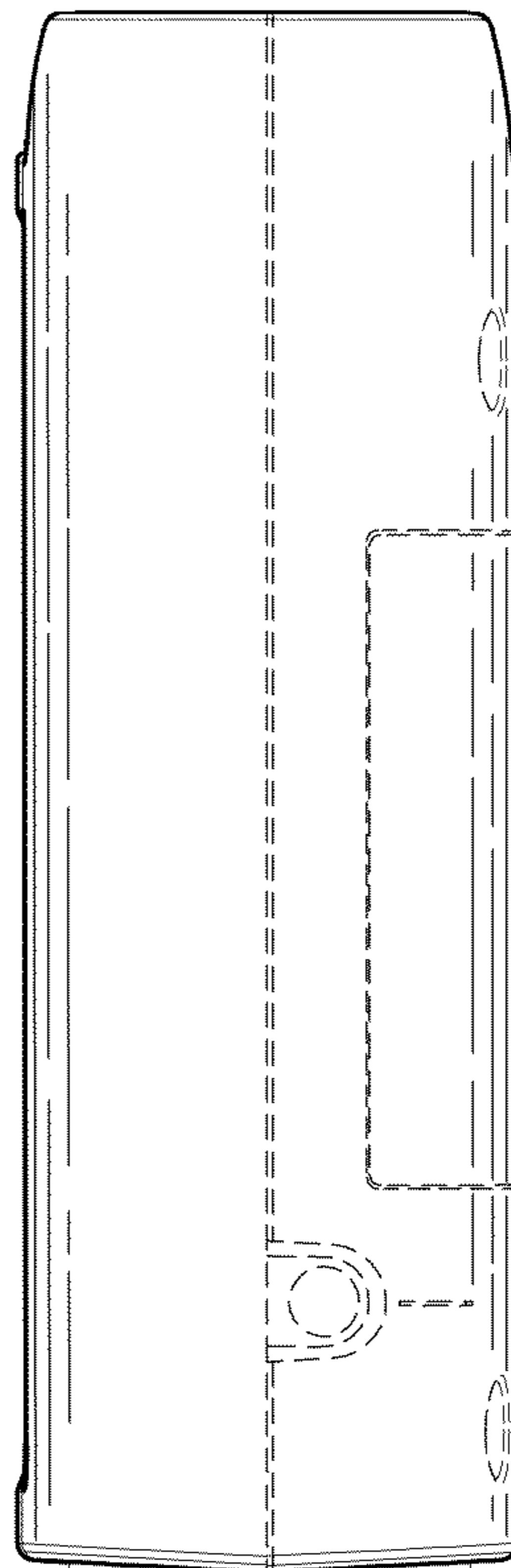
*Fig. 4.*



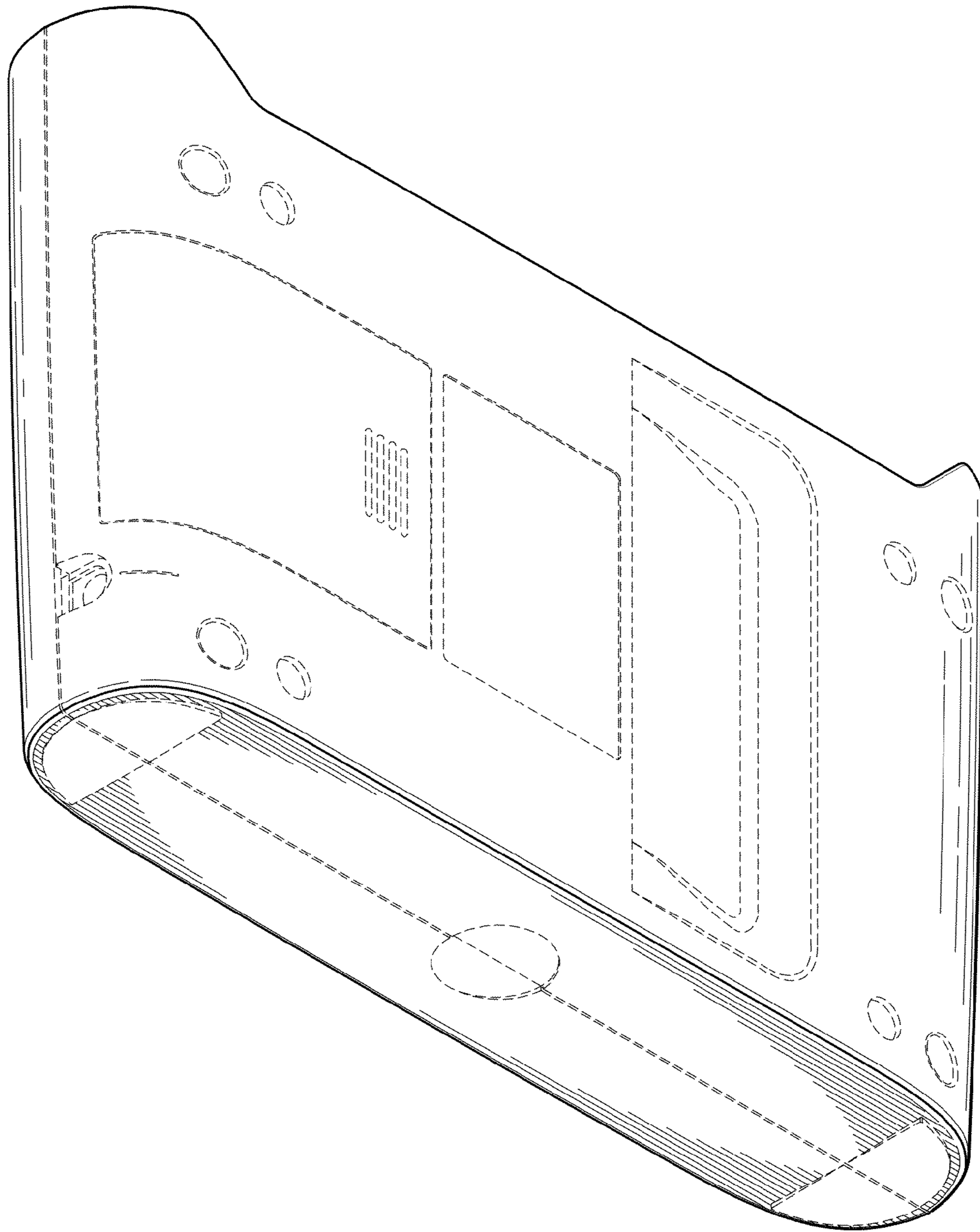
*Fig. 5.*



*Fig. 6.*



*Fig. 7.*



*Fig. 8.*