



US00D685913S

(12) **United States Design Patent**
Augustinos et al.

(10) **Patent No.:** **US D685,913 S**
(45) **Date of Patent:** **** Jul. 9, 2013**

- (54) **PATIENT STATION**
- (75) Inventors: **Nicholas Augustinos**, San Francisco, CA (US); **Mark R. Hubbell**, Pacifica, CA (US)
- (73) Assignee: **Cisco Technology, Inc.**, San Jose, CA (US)
- (**) Term: **14 Years**
- (21) Appl. No.: **29/333,555**
- (22) Filed: **Mar. 11, 2009**
- (51) **LOC (9) Cl.** **24-01**
- (52) **U.S. Cl.**
USPC **D24/185**
- (58) **Field of Classification Search**
USPC D24/183-186; D6/396, 466, 467, D6/449, 474-476, 407; D14/127, 305, 307; 128/920-923; 600/300, 301, 481, 529, 533; D19/59; D99/28, 35; D20/10
See application file for complete search history.

- D501,557 S * 2/2005 Collins et al. D24/186
- D552,738 S 10/2007 Helfet
- D552,875 S * 10/2007 Collins et al. D6/396
- D554,710 S * 11/2007 Malone et al. D14/305
- D555,209 S * 11/2007 Malone et al. D14/305
- D561,342 S * 2/2008 Zimmer D24/185
- D566,702 S * 4/2008 Malone et al. D14/307
- D567,233 S * 4/2008 Malone et al. D14/307
- D574,959 S 8/2008 DeBral et al.
- 7,411,509 B2 8/2008 Rosenfeld et al.
- D579,686 S * 11/2008 Collins et al. D6/396
- D585,857 S * 2/2009 Monson et al. D14/127
- D599,855 S * 9/2009 Soodeen et al. D19/59

(Continued)

OTHER PUBLICATIONS

The Brewer Company, "BrewerAccess High-Low Exam Table," product brochure (Aug. 2005).

Primary Examiner — T. Chase Nelson
Assistant Examiner — Mark Cavanna
(74) *Attorney, Agent, or Firm* — Brinks Hofer Gilson & Lione

(57) **CLAIM**
We claim the ornamental design for a patient station, as shown and described.

(56) **References Cited**

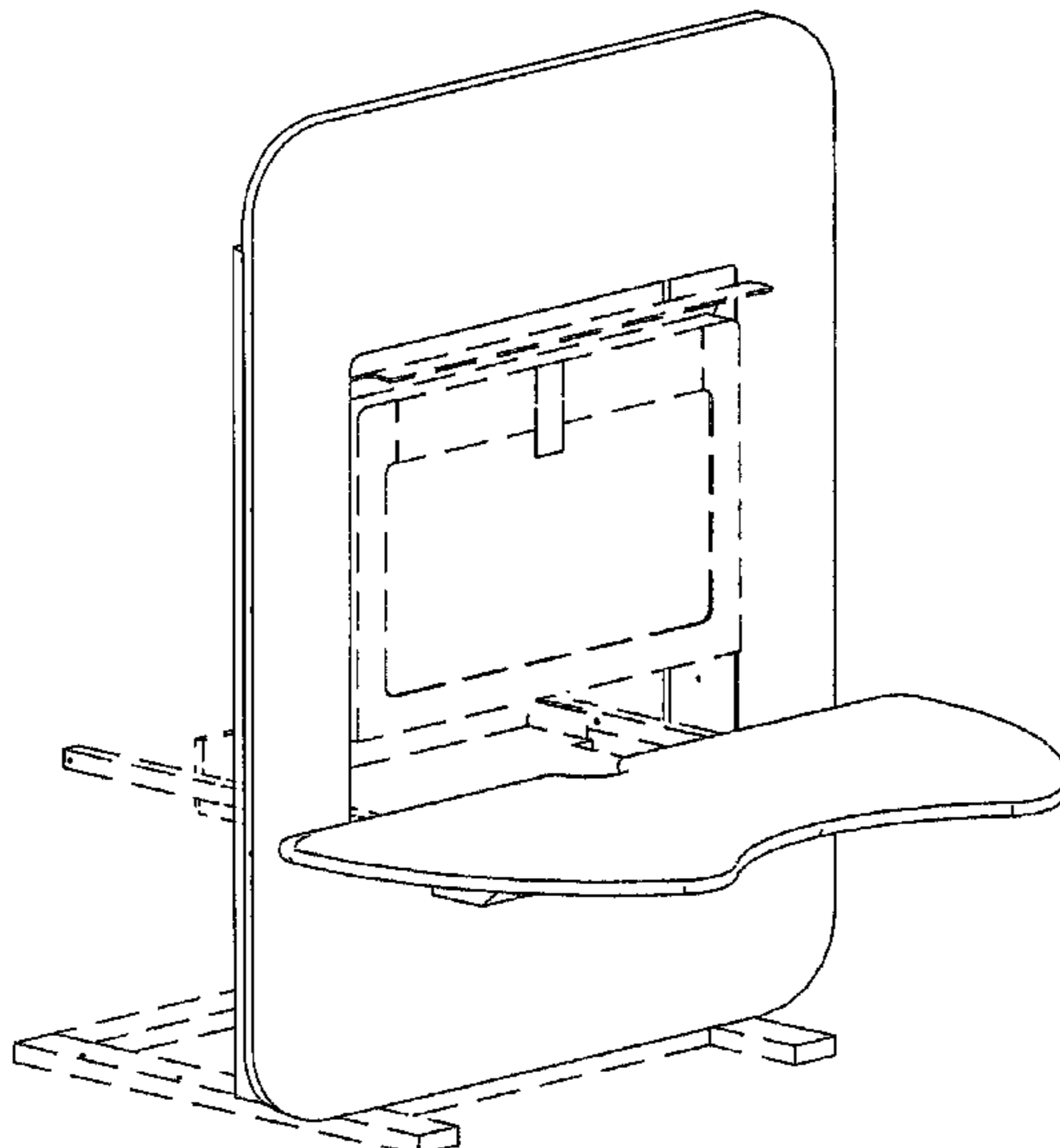
U.S. PATENT DOCUMENTS

- D297,236 S * 8/1988 Tiffin D14/127
- D354,832 S * 1/1995 D'Agostino D99/35
- D372,226 S * 7/1996 Maguire, Jr. D14/306
- D388,229 S * 12/1997 Couch D99/28
- D401,227 S * 11/1998 Catta D14/305
- D412,748 S * 8/1999 Nabarro D24/186
- D415,330 S * 10/1999 King D99/28
- D436,354 S * 1/2001 Kodimer D14/306
- D440,543 S * 4/2001 Kodimer D14/127
- D461,505 S * 8/2002 Bain et al. D20/10
- D461,907 S * 8/2002 Bain et al. D14/307
- D462,776 S * 9/2002 Bain et al. D14/307
- D469,745 S * 2/2003 Soule, Jr. D14/127
- D469,746 S * 2/2003 Soule, Jr. D14/127
- D471,188 S * 3/2003 Dye et al. D14/305
- 6,832,398 B2 12/2004 Borders et al.

DESCRIPTION

FIG. 1 is a front perspective view of a patient station;
FIG. 2 is a front view thereof;
FIG. 3 is a first side view thereof;
FIG. 4 is a rear view thereof;
FIG. 5 is a second side view thereof;
FIG. 6 is a top view thereof; and,
FIG. 7 is a bottom view thereof.
The broken lines are included for the purpose of illustrating unclaimed portions of the patient station and form no part of the claimed design.

1 Claim, 7 Drawing Sheets



US D685,913 S

Page 2

U.S. PATENT DOCUMENTS

D609,493 S *	2/2010	Dreyer et al.	D6/407		
D617,575 S *	6/2010	Dreyer et al.	D6/396		
					* cited by examiner
				D650,777 S *	12/2011 Suzuki et al. D14/306
				D650,778 S *	12/2011 Suzuki et al. D14/306

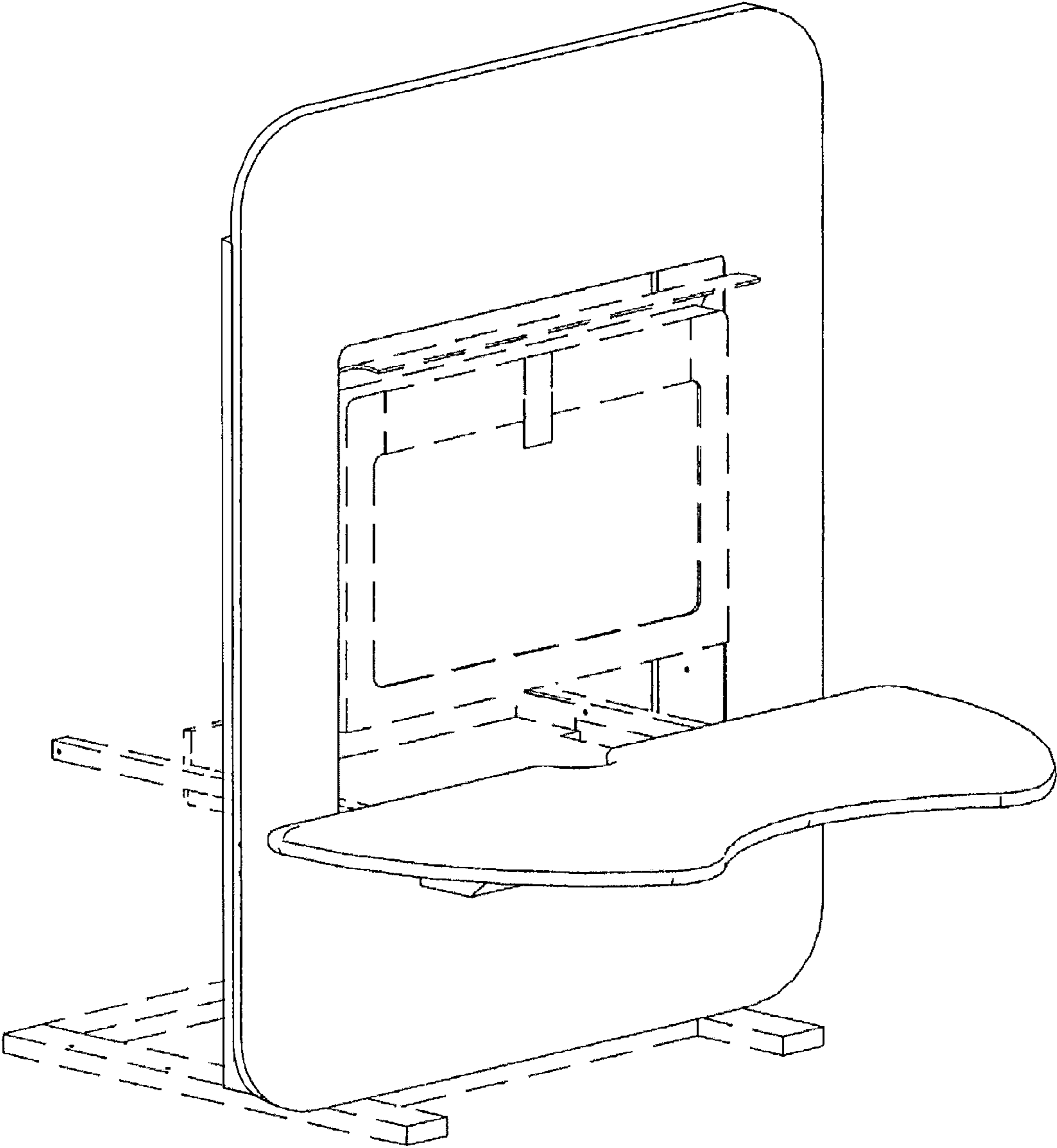


FIG.1

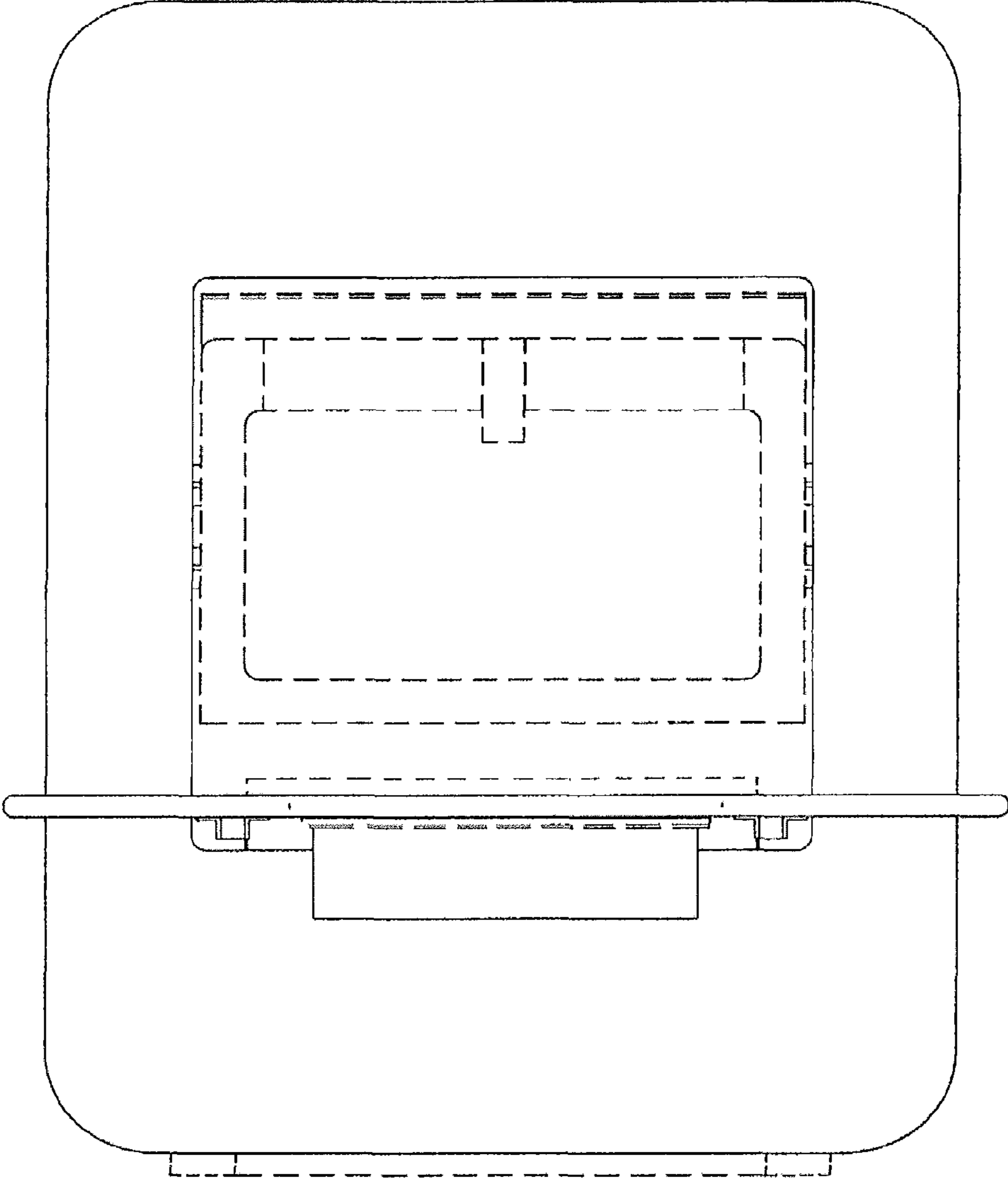


FIG.2

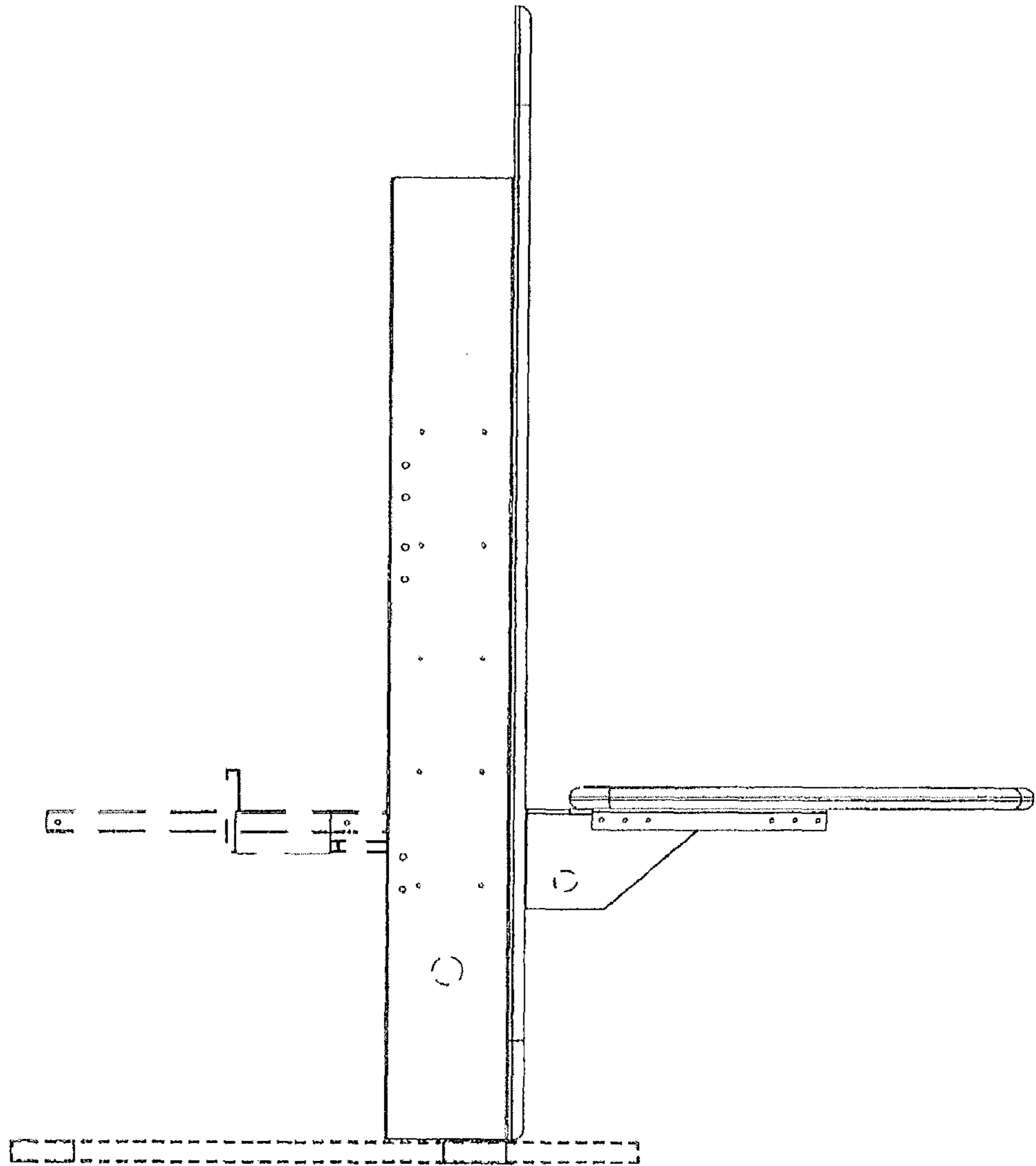


FIG.3

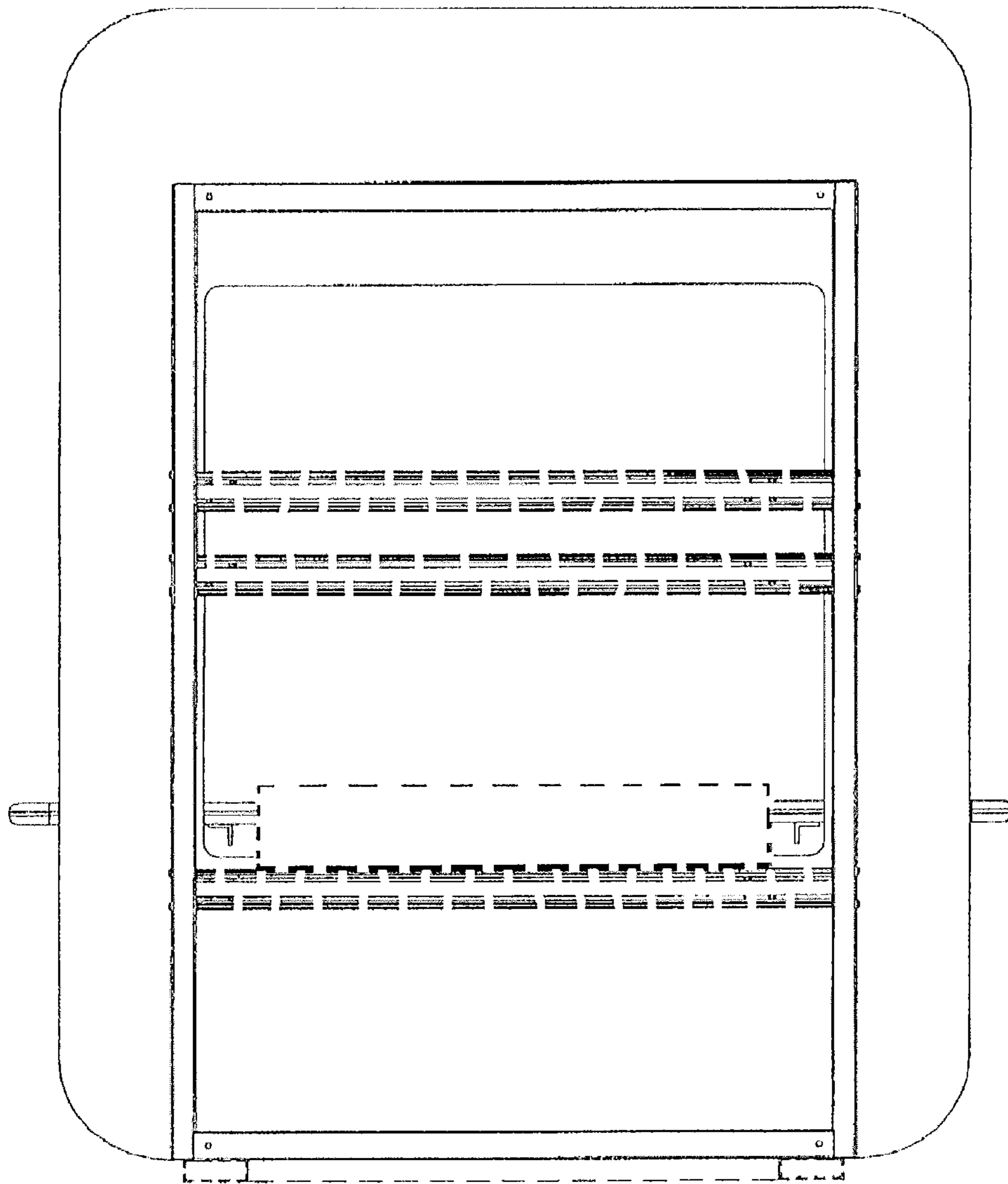


FIG. 4

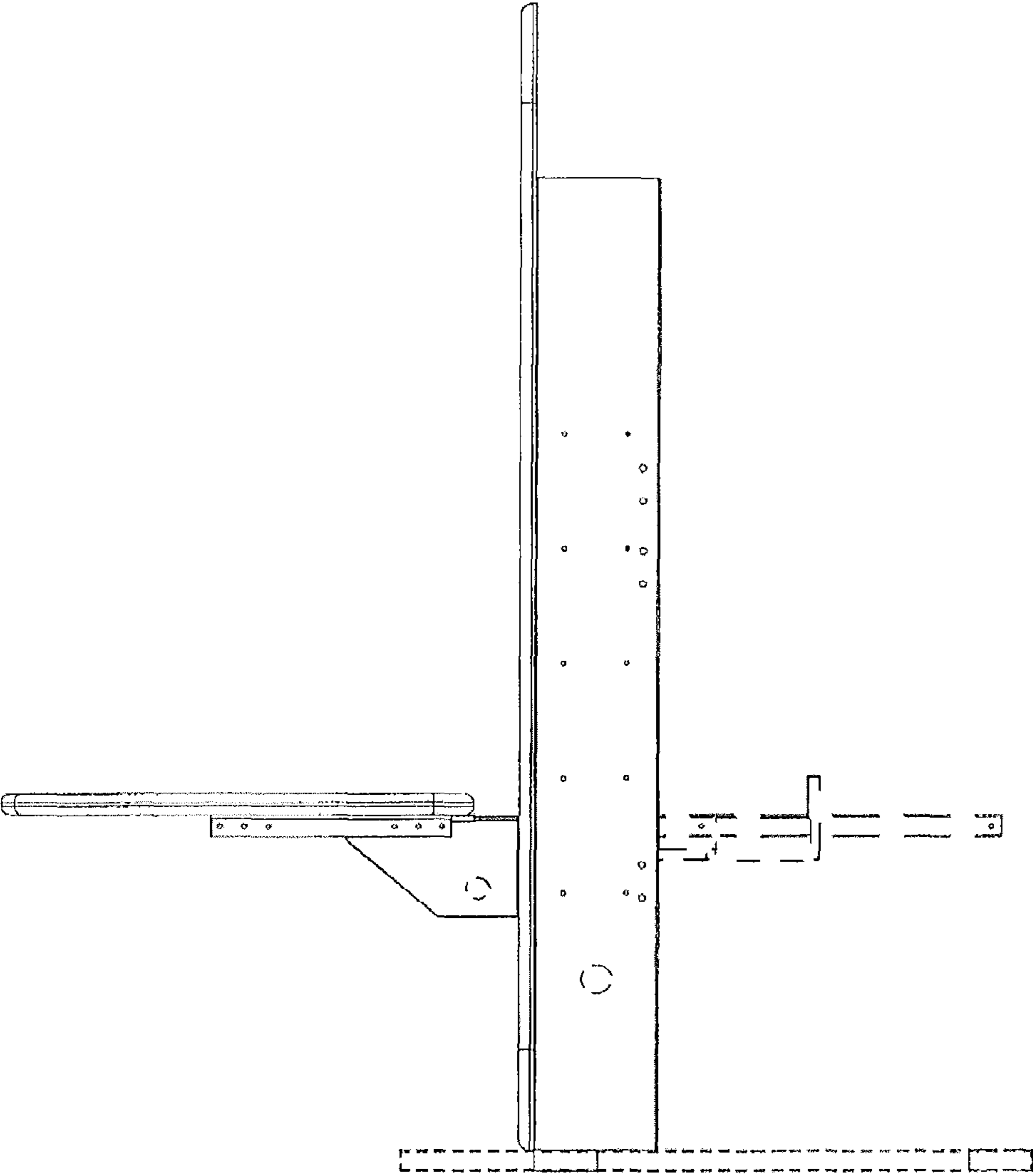


FIG.5

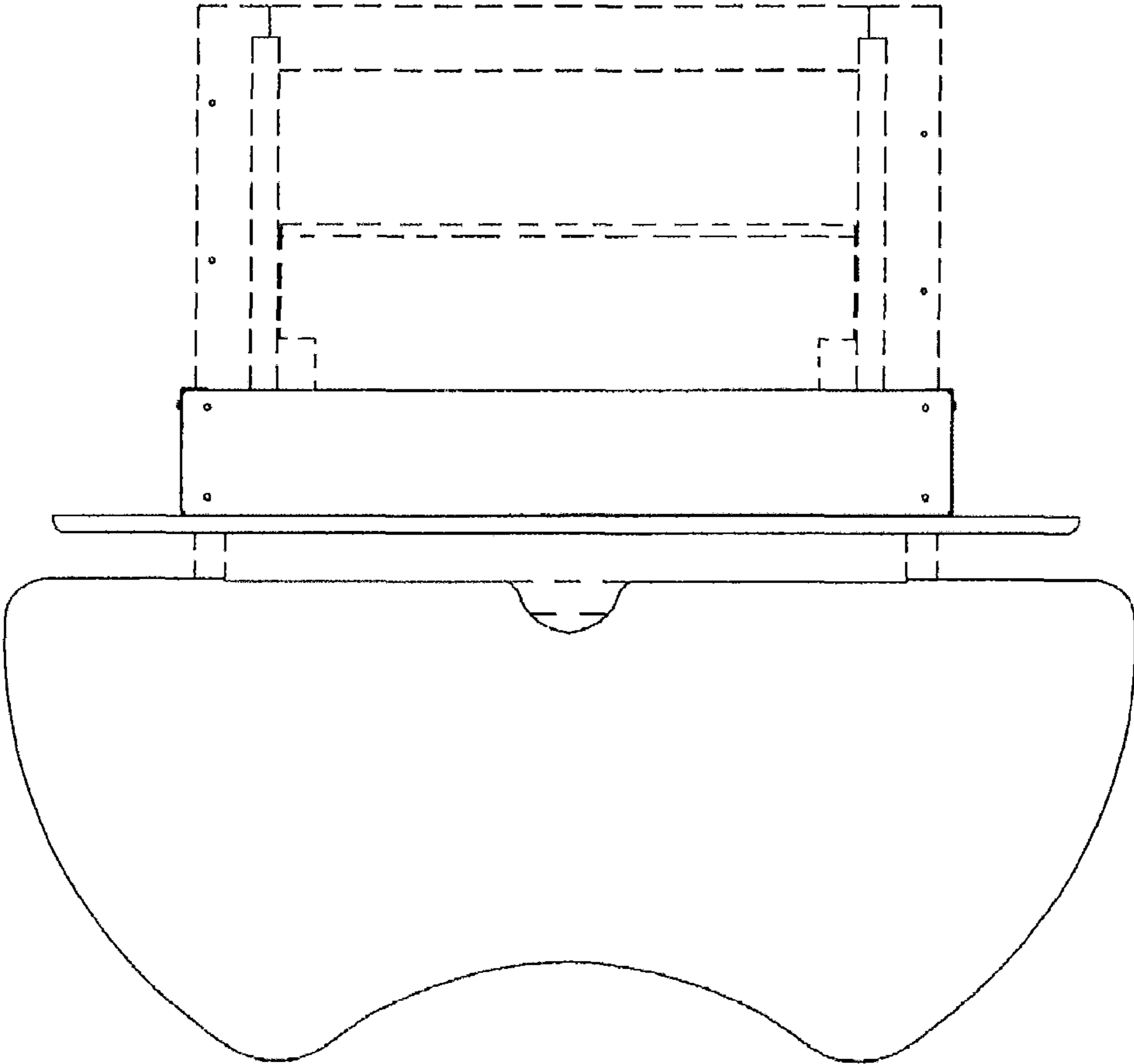


FIG.6

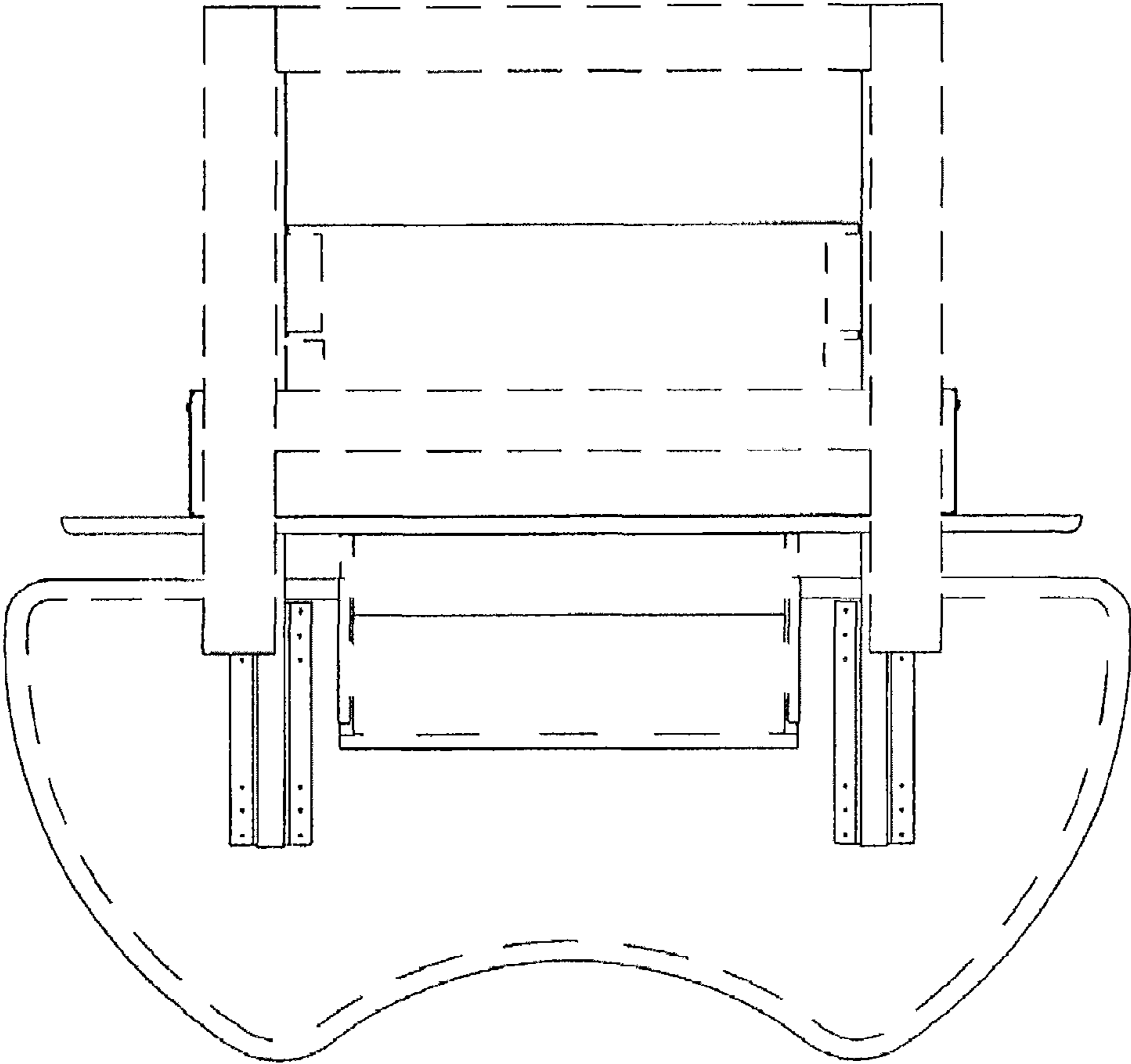


FIG.7