



US00D685910S

(12) **United States Design Patent**  
**Sundberg**

(10) **Patent No.:** **US D685,910 S**

(45) **Date of Patent:** **\*\* Jul. 9, 2013**

(54) **APPLICATOR**

(75) Inventor: **Mark Henrik Sundberg**, Arsta (SE)

(73) Assignee: **Pharmanest AB**, Solna (SE)

(\*\*) Term: **14 Years**

(21) Appl. No.: **29/422,499**

(22) Filed: **May 22, 2012**

(30) **Foreign Application Priority Data**

Nov. 25, 2011 (EM) ..... 001953167

(51) **LOC (9) Cl.** ..... **24-02**

(52) **U.S. Cl.**  
USPC ..... **D24/141; D24/114**

(58) **Field of Classification Search**  
USPC ..... D24/107-108, 114, 133, 141; 424/430;  
604/11, 15, 41, 43, 59-61, 57, 73, 285, 385.17  
See application file for complete search history.

(56) **References Cited**

**U.S. PATENT DOCUMENTS**

634,363 A \* 10/1899 Morrison ..... 604/11  
D197,751 S \* 3/1964 Rigney et al. .... D24/114  
3,220,413 A \* 11/1965 Sunnen ..... 604/60

3,780,735 A \* 12/1973 Crouter et al. .... 604/59  
4,496,341 A \* 1/1985 Brucks ..... 604/15  
D279,504 S \* 7/1985 Tump ..... D24/114  
4,620,534 A \* 11/1986 Zartman ..... 604/15  
D298,653 S \* 11/1988 Maietta ..... D24/114  
5,002,540 A \* 3/1991 Brodman et al. .... 604/285  
D320,084 S \* 9/1991 Stewart et al. .... D24/141  
D457,627 S \* 5/2002 Lamb ..... D24/141  
7,507,223 B2 \* 3/2009 Fontana ..... 604/60

\* cited by examiner

*Primary Examiner* — Wan Laymon

(74) *Attorney, Agent, or Firm* — Renner, Otto, Boisselle & Sklar, LLP

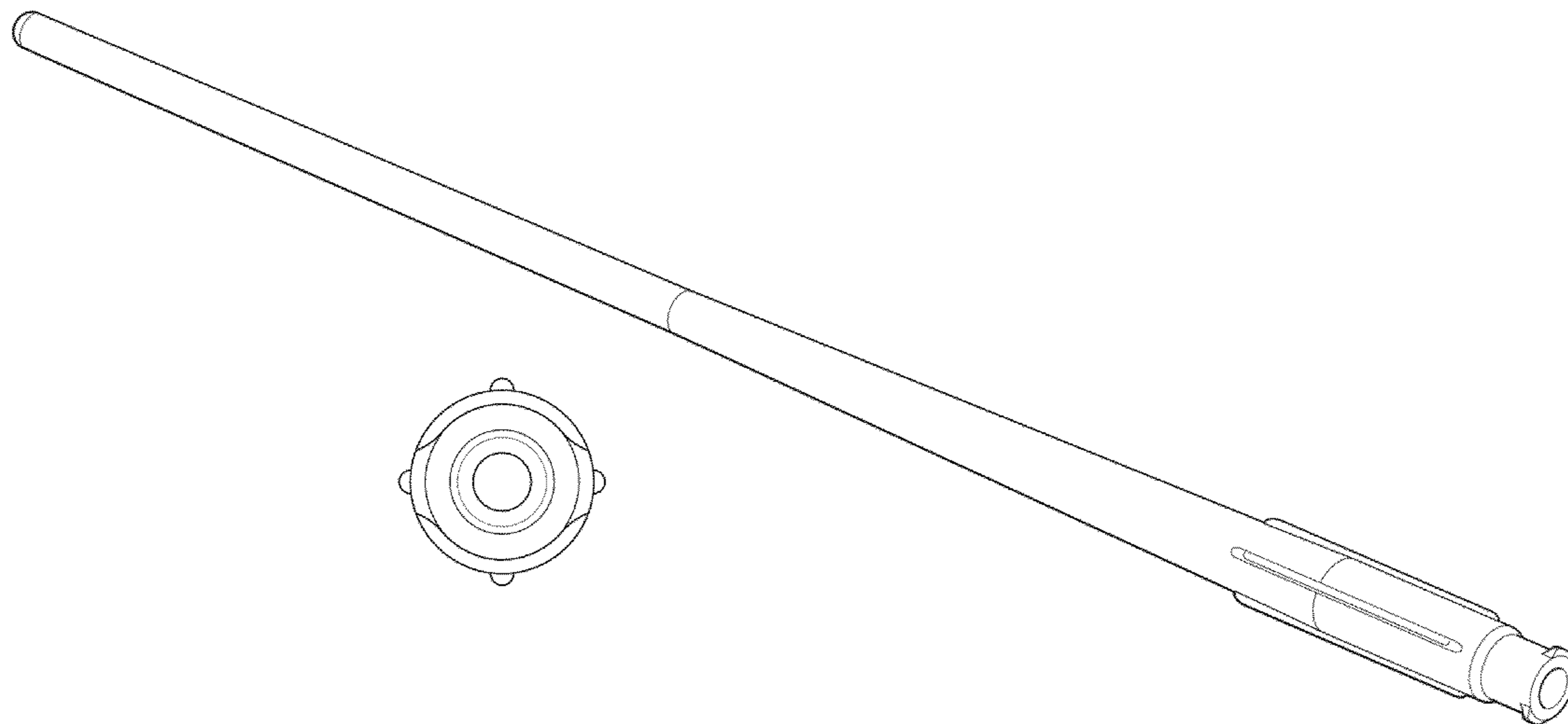
(57) **CLAIM**

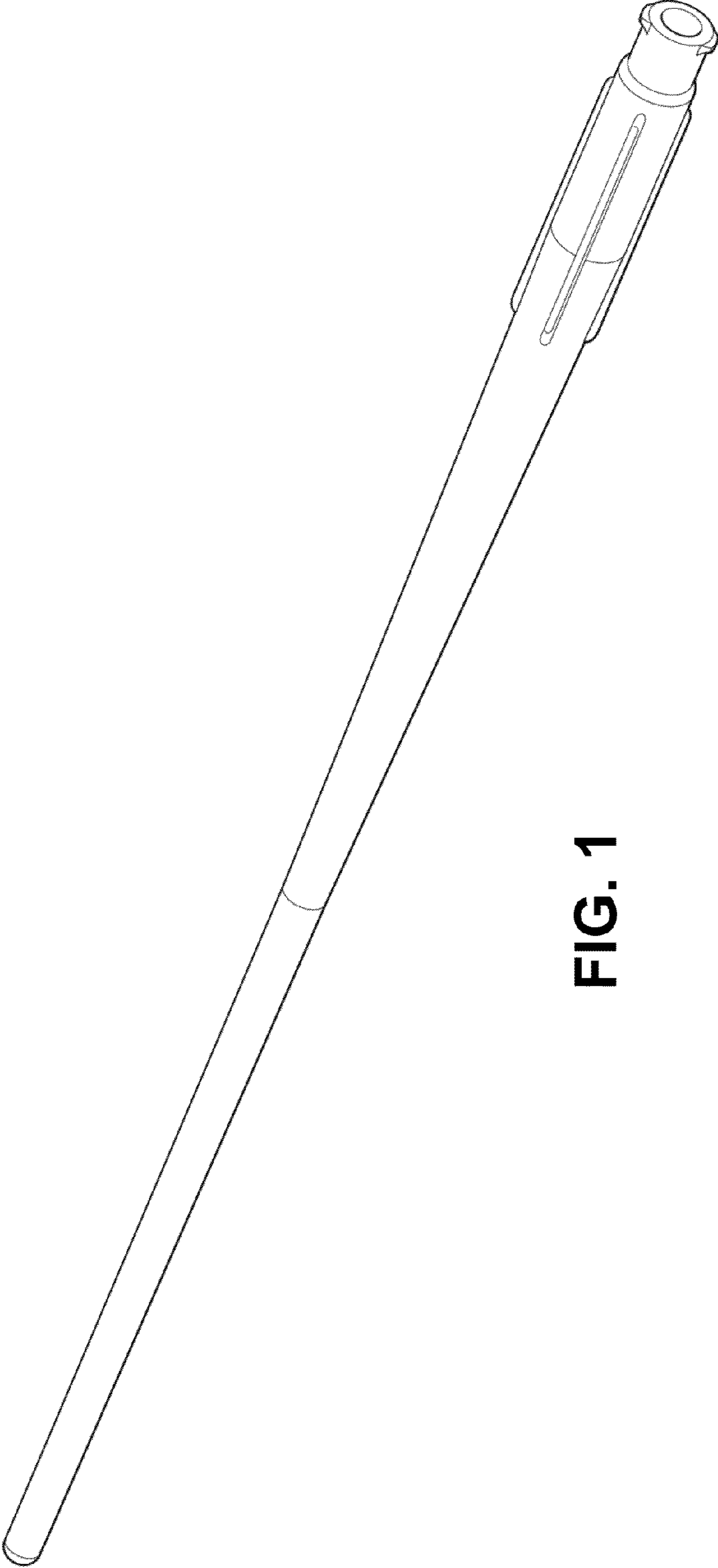
The ornamental design for an applicator, as shown and described.

**DESCRIPTION**

FIG. 1 is a perspective view of an applicator showing my design;  
FIG. 2 is a top view thereof, a bottom view thereof being a mirror image of the top view;  
FIG. 3 is a front view thereof, a rear view thereof being a mirror image of the front view;  
FIG. 4 is an enlarged right side view thereof; and,  
FIG. 5 is an enlarged left side view thereof.

**1 Claim, 2 Drawing Sheets**





**FIG. 1**

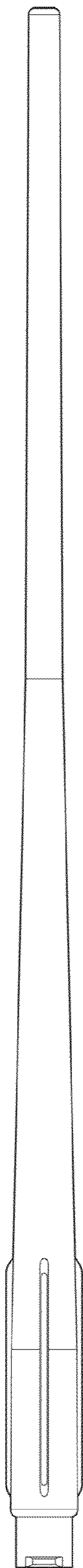


FIG. 2

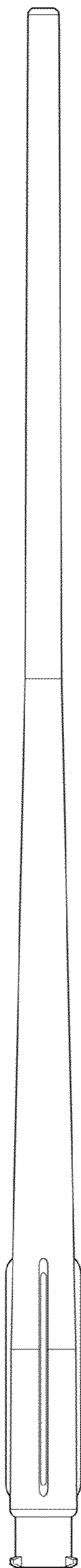


FIG. 3

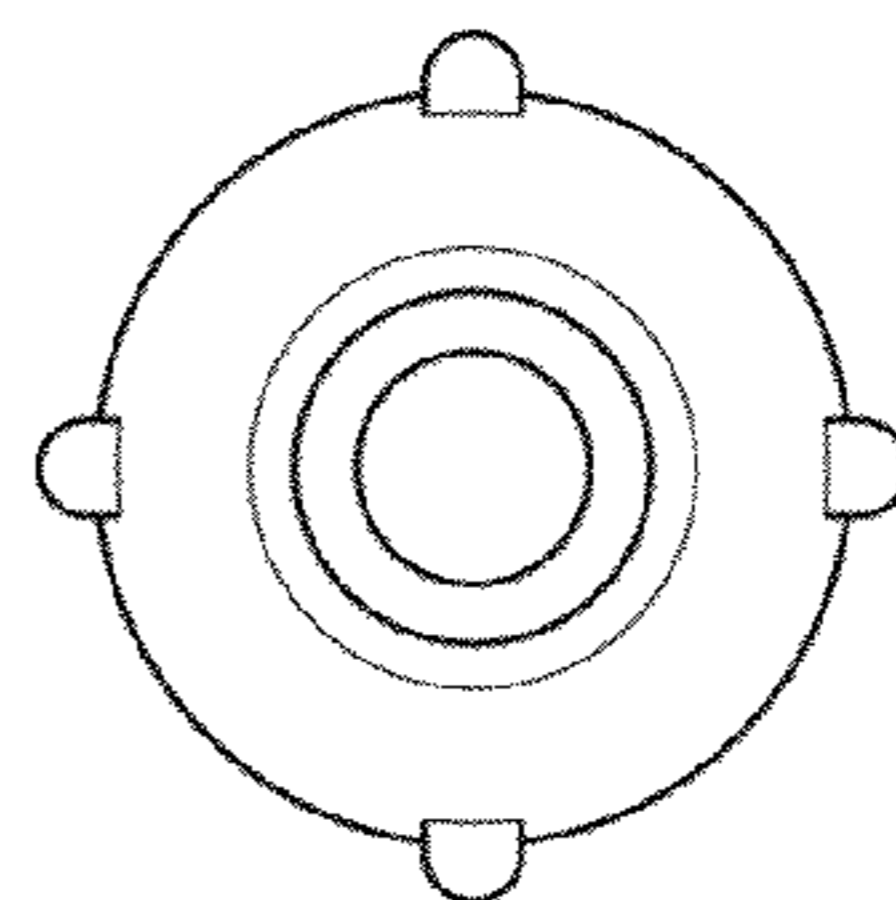


FIG. 4

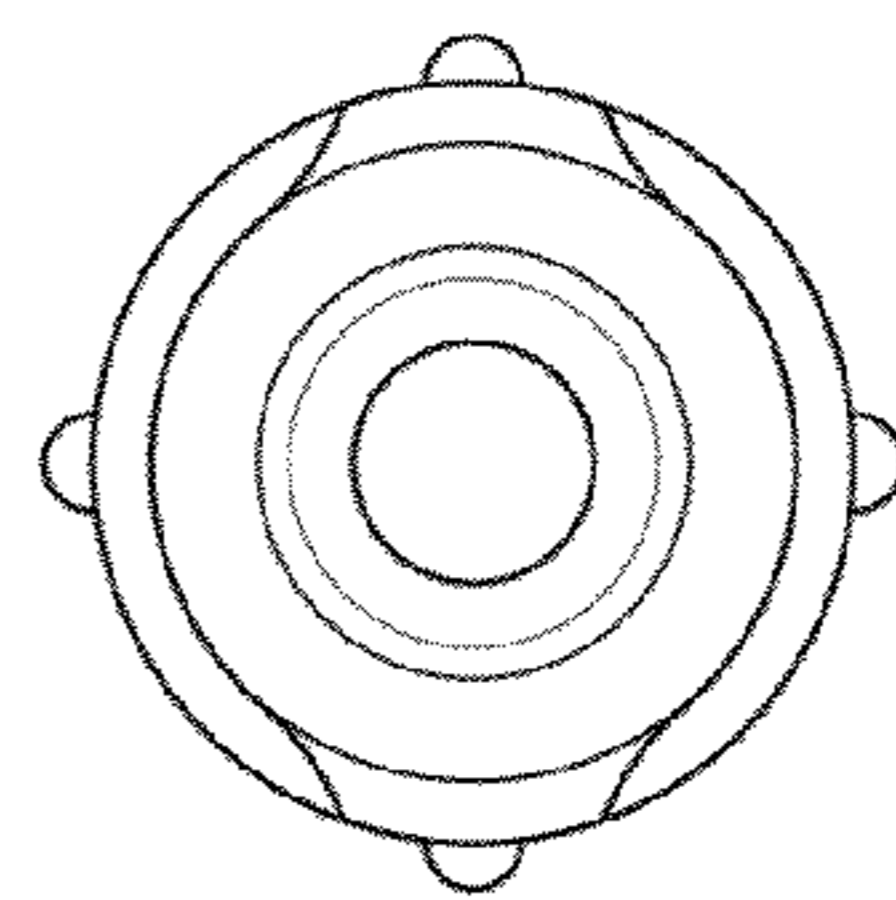


FIG. 5