



US00D685908S

(12) **United States Design Patent**
Funakoshi et al.

(10) **Patent No.:** **US D685,908 S**

(45) **Date of Patent:** **** Jul. 9, 2013**

(54) **ENDOSCOPE**

(75) Inventors: **Yasuo Funakoshi**, Hachioji (JP);
Hiroyuki Ohta, Yokohama (JP);
Kiwamu Fujitani, Hachioji (JP); **To**
Chin, Beijing (CN); **Ai Yonekura**,
Hachioji (JP)

(73) Assignee: **Olympus Medical Systems Corp.**,
Tokyo (JP)

(**) Term: **14 Years**

(21) Appl. No.: **29/399,583**

(22) Filed: **Aug. 16, 2011**

(30) **Foreign Application Priority Data**

Feb. 17, 2011 (JP) 2011-003268

(51) **LOC (9) Cl.** **24-02**

(52) **U.S. Cl.**
USPC **D24/138**

(58) **Field of Classification Search**
USPC D24/138, 137, 133; D9/435, 454,
D9/763-783; 600/101-183
See application file for complete search history.

(56) **References Cited**

U.S. PATENT DOCUMENTS

3,897,775	A *	8/1975	Furihata	600/131
D318,428	S *	7/1991	Kowk	D9/455
D481,124	S *	10/2003	Hayamizu	D24/138
7,001,331	B2 *	2/2006	Kaji	600/132
D528,579	S *	9/2006	Yasutomi	D16/202
D535,393	S *	1/2007	Pilvisto et al.	D24/138
D578,392	S *	10/2008	Khalil	D9/454
D597,205	S *	7/2009	Koch	D24/133
D624,649	S *	9/2010	Seeh et al.	D24/137
7,850,604	B2 *	12/2010	Wimmer	600/139
8,152,715	B2 *	4/2012	Root et al.	600/131
2005/0000553	A1 *	1/2005	Noguchi et al.	134/84

2007/0038024	A1 *	2/2007	Nakamura et al.	600/110
2007/0249904	A1 *	10/2007	Amano et al.	600/131
2009/0171145	A1 *	7/2009	Matsuo et al.	600/101
2009/0247828	A1 *	10/2009	Watanabe et al.	600/131
2010/0043201	A1 *	2/2010	Kotani	29/592
2011/0118544	A1 *	5/2011	Adams et al.	600/104
2011/0230716	A1 *	9/2011	Fujimoto	600/121
2011/0237891	A1 *	9/2011	Sato et al.	600/149

* cited by examiner

Primary Examiner — Bridget L Eland

(74) *Attorney, Agent, or Firm* — Scully, Scott, Murphy & Presser, P.C.

(57) **CLAIM**

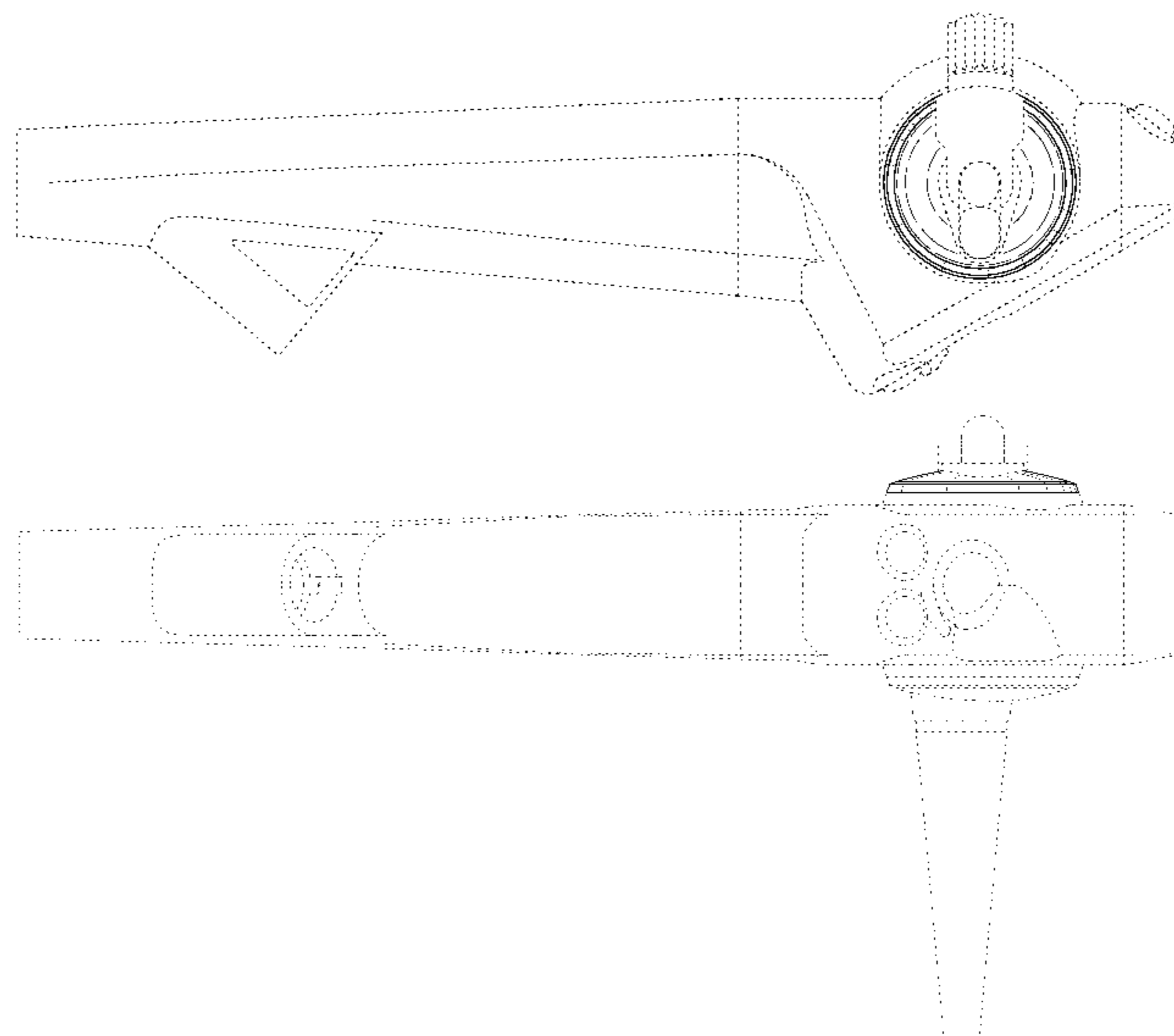
The ornamental design for an endoscope, as shown and described.

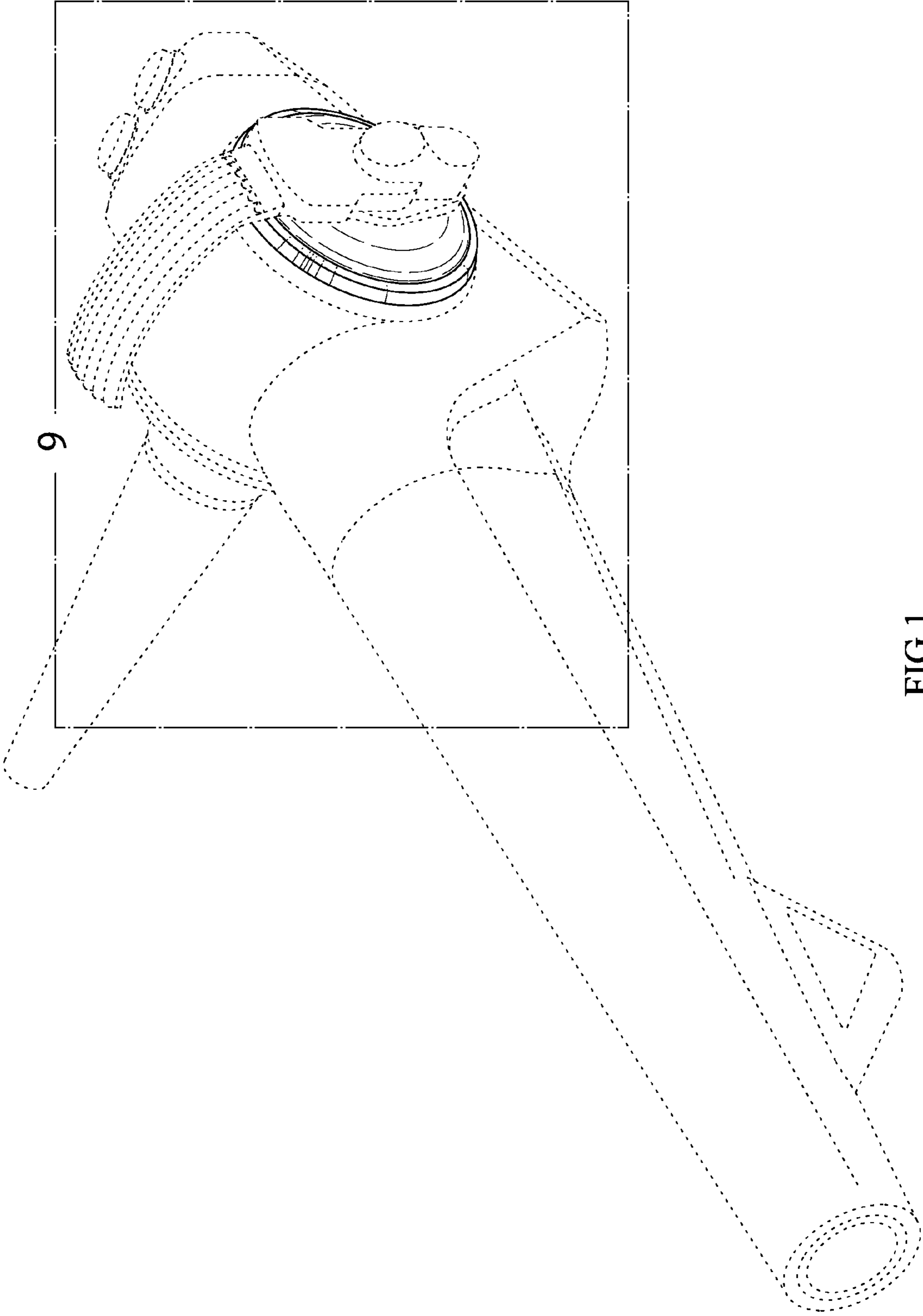
DESCRIPTION

FIG. 1 is a front, top and left side perspective view of an endoscope, showing our new design;
 FIG. 2 is a front, top and right side perspective view thereof;
 FIG. 3 is a front elevational view thereof;
 FIG. 4 is a rear elevational view thereof;
 FIG. 5 is a top plan view thereof;
 FIG. 6 is a bottom plan view thereof;
 FIG. 7 is a right side elevational view thereof;
 FIG. 8 is a left side elevational view thereof;
 FIG. 9 is a partial enlarged front, top and left side perspective view thereof within the dot-dash broken line box identified as 9 in FIG. 1; and,
 FIG. 10 is a partial enlarged front, top and right side perspective view thereof within the dot-dash broken line box identified as 10 in FIG. 2.

The broken lines immediately adjacent the shaded areas represent the bounds of the claimed design while all other broken lines are directed to environment and are for illustrative purposes only; the broken lines form no part of the claimed design.

1 Claim, 10 Drawing Sheets





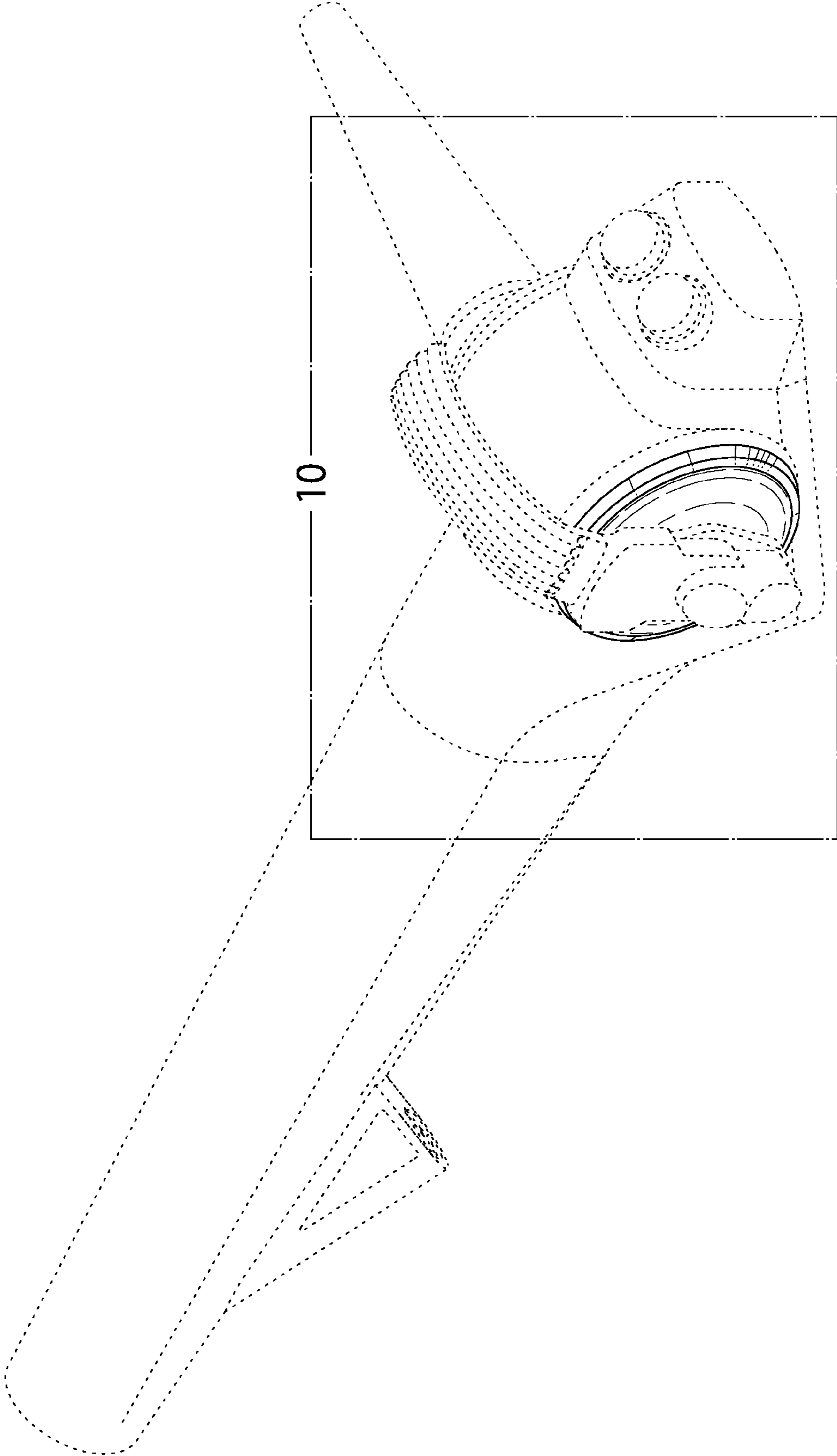


FIG.2

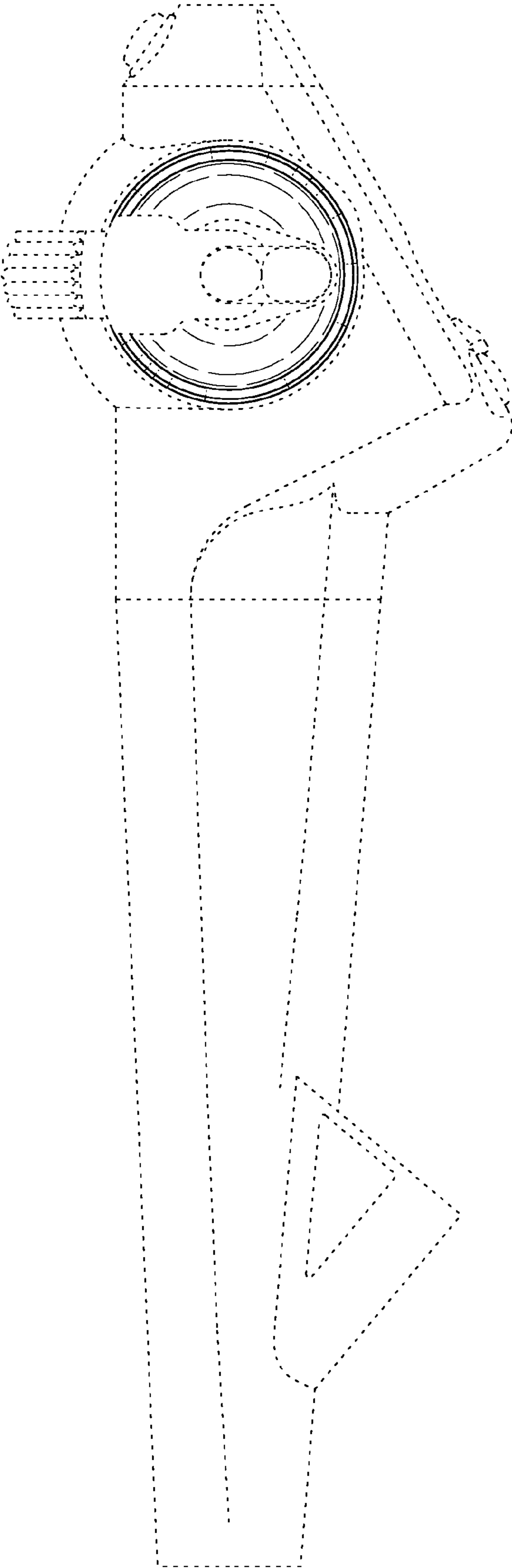


FIG.3

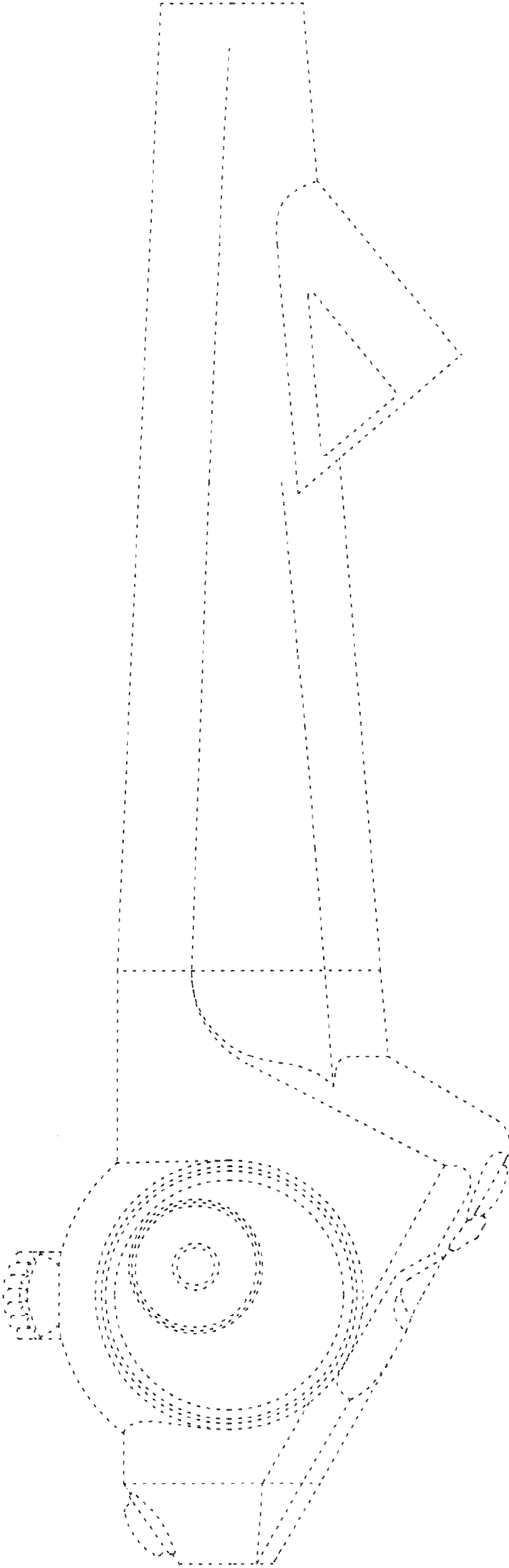


FIG.4

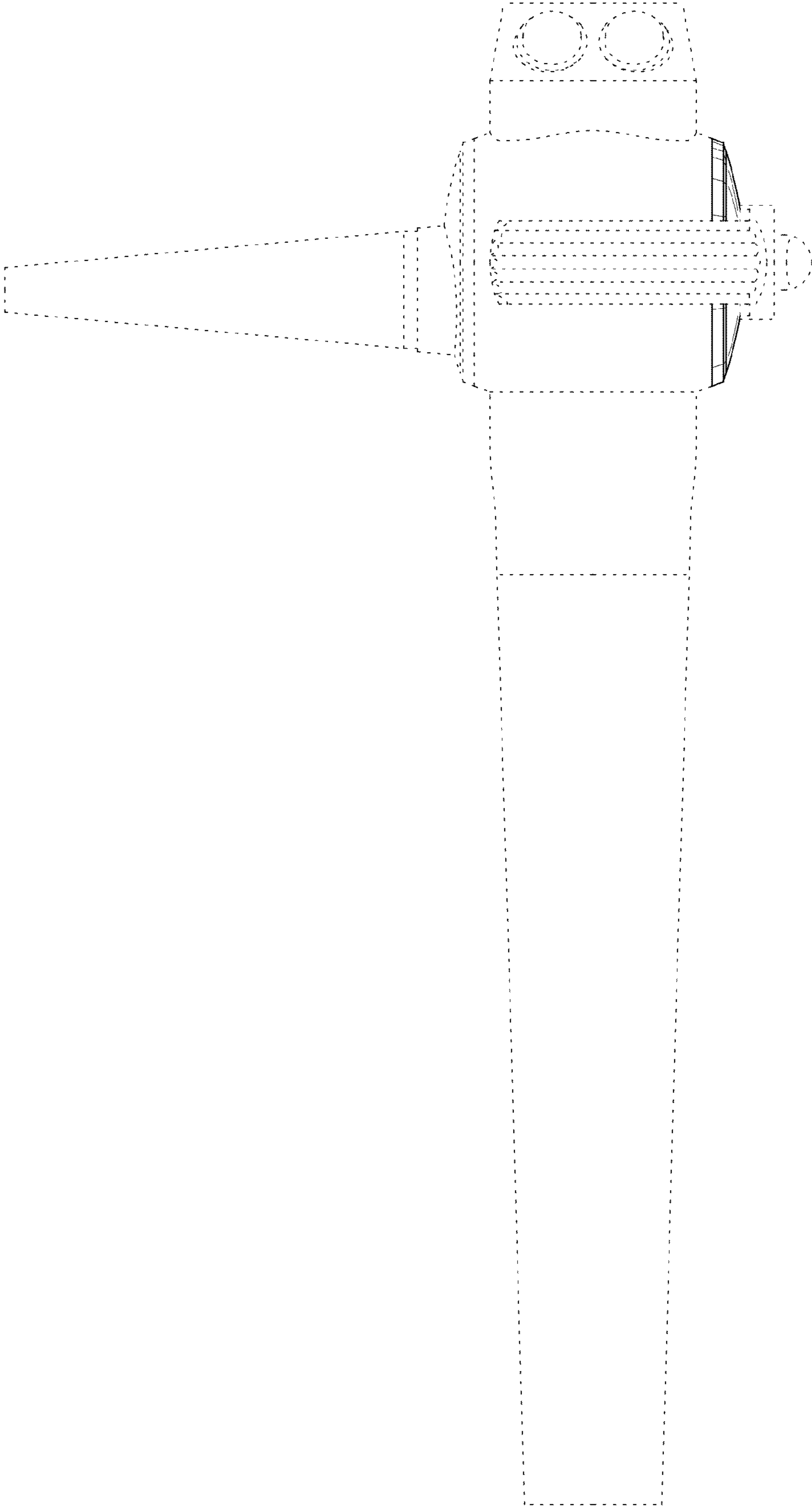


FIG.5

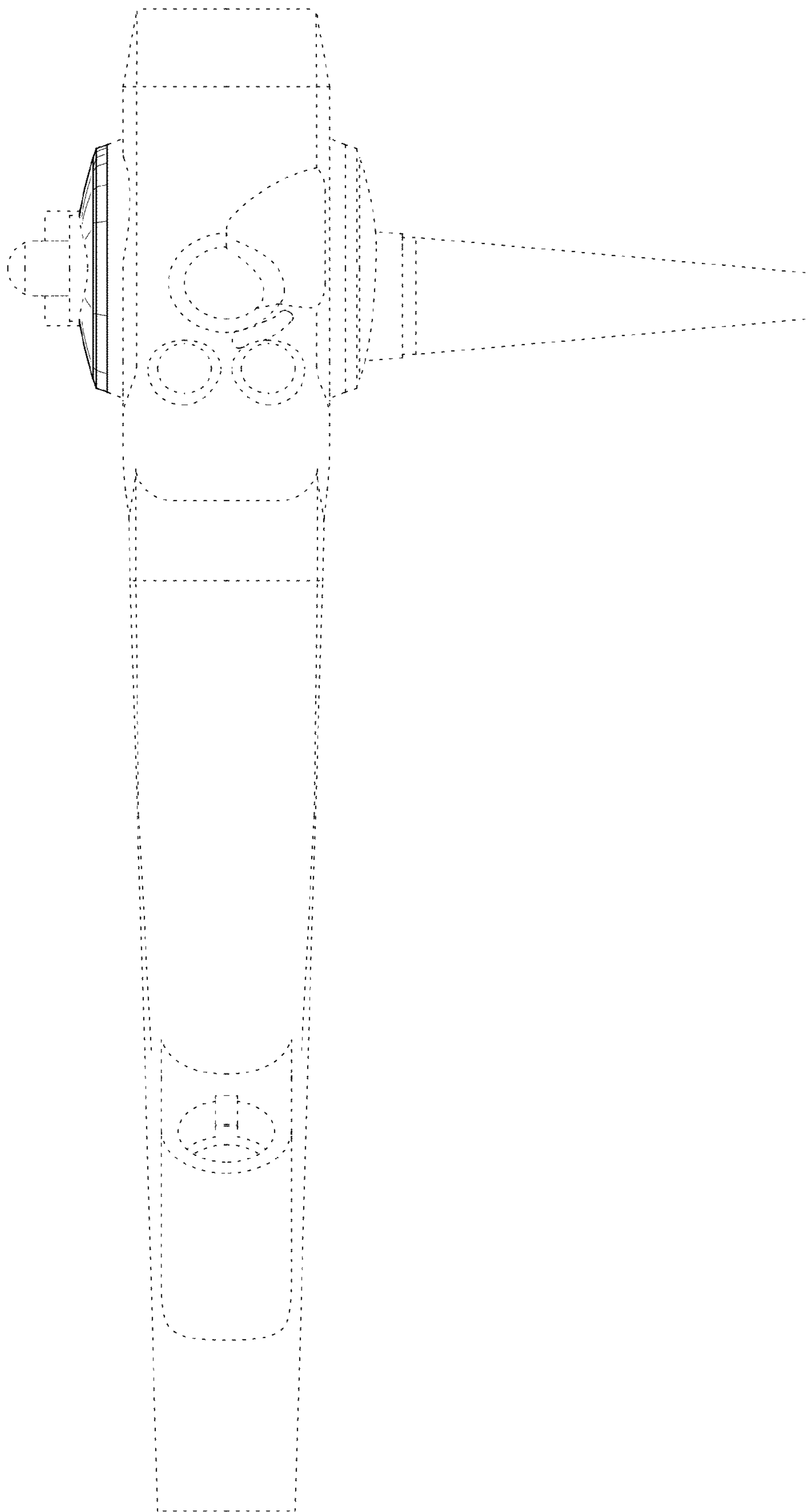


FIG.6

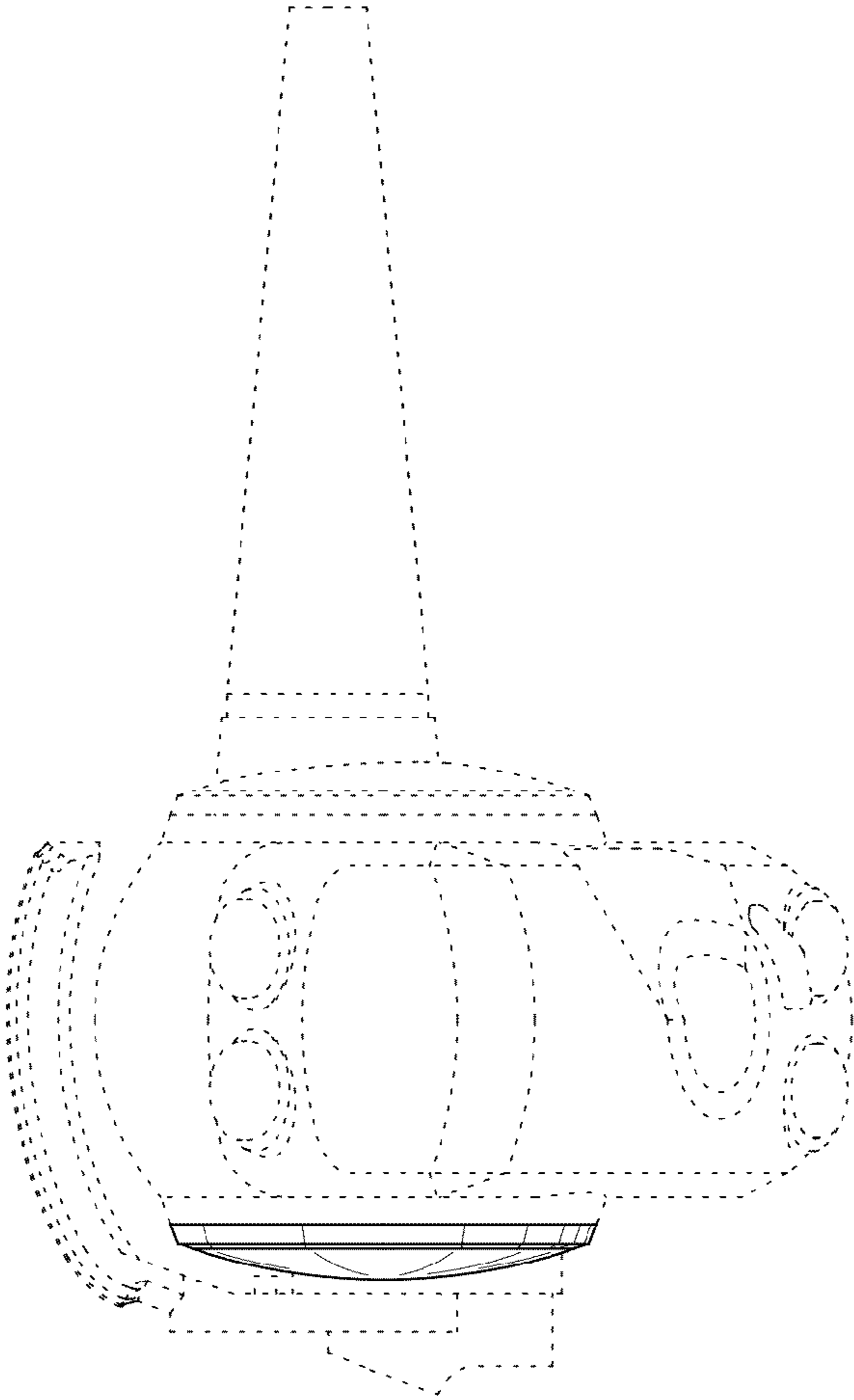


FIG.7

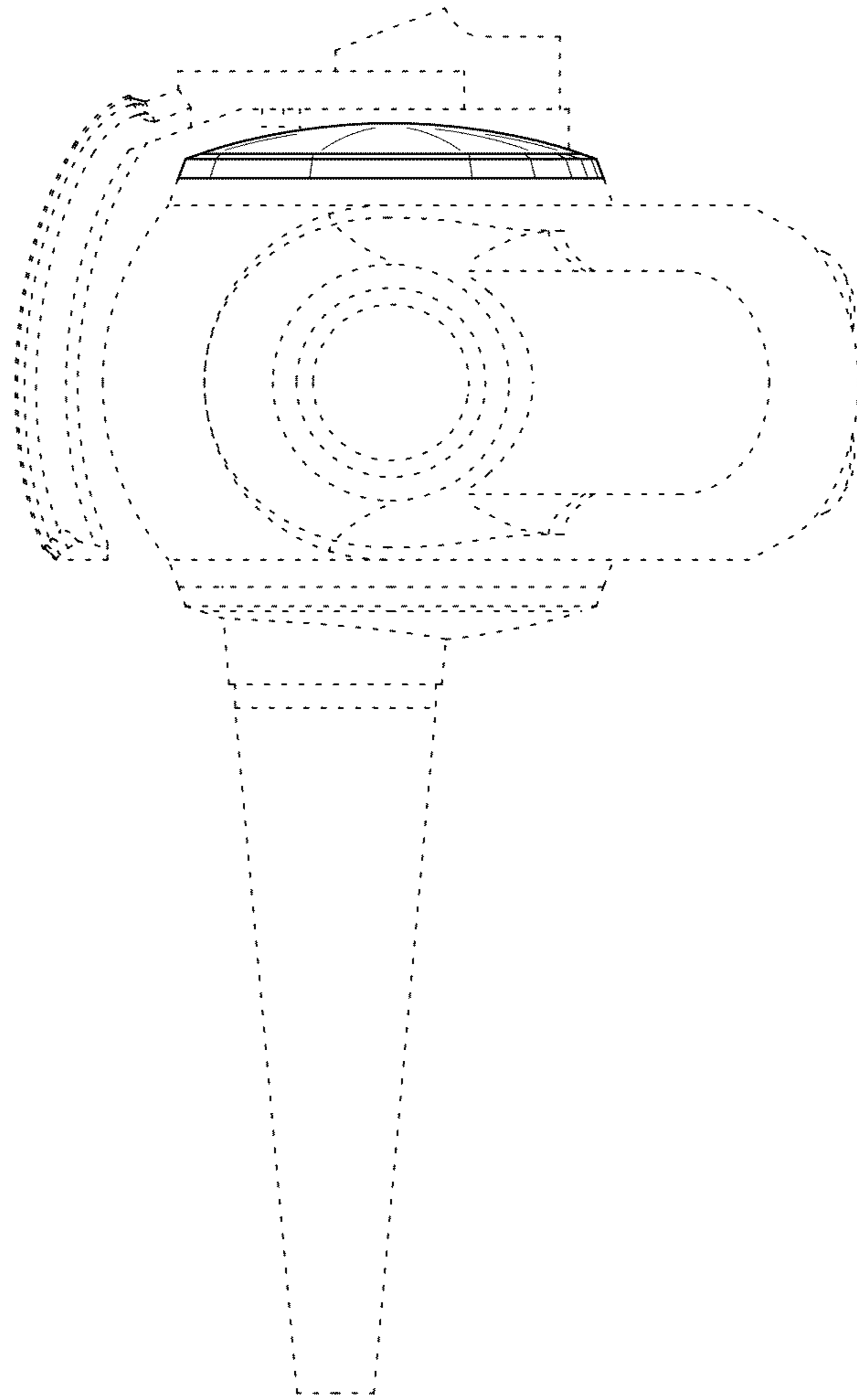


FIG. 8

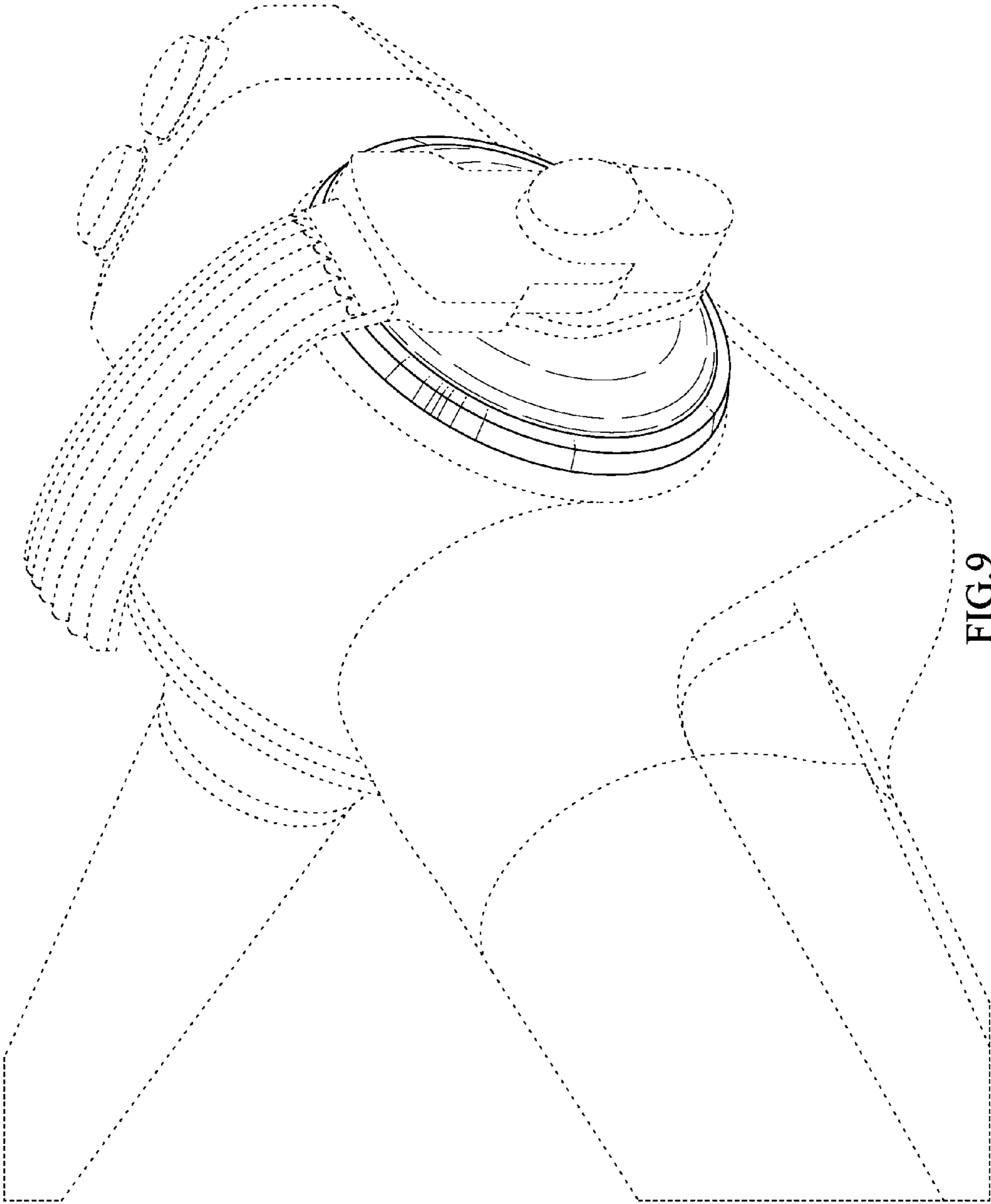


FIG. 9

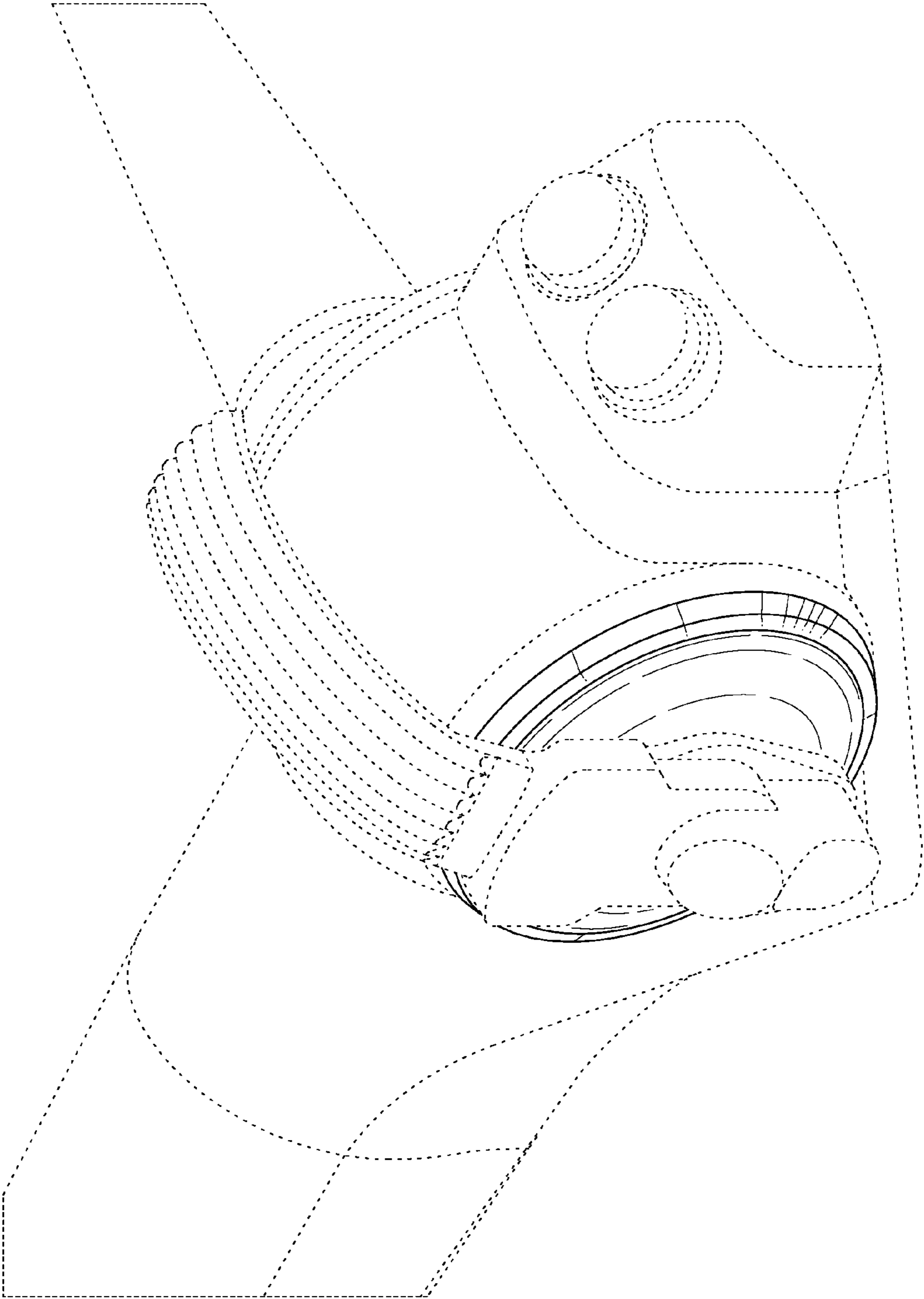


FIG.10