



US00D685907S

(12) **United States Design Patent**
Park et al.

(10) **Patent No.:** **US D685,907 S**

(45) **Date of Patent:** **** Jul. 9, 2013**

(54) **HANDLE FOR A SURGICAL INSTRUMENT**

(75) Inventors: **Adrian Park**, Crownsville, MD (US);
Daniel J. Triplett, Providence, UT (US)

(73) Assignees: **IMDS Corporation**, Providence, UT
(US); **Adrian Park**, Crownsville, MD
(US)

(**) Term: **14 Years**

(21) Appl. No.: **29/416,950**

(22) Filed: **Mar. 28, 2012**

Related U.S. Application Data

(63) Continuation of application No. 13/326,911, filed on
Dec. 15, 2011.

(51) **LOC (9) Cl.** **24-02**

(52) **U.S. Cl.**
USPC **D24/133**

(58) **Field of Classification Search**
USPC D24/133, 137, 138, 143, 144, 145,
D24/146, 147, 148, 149; D8/51, 57, 107; 606/1,
606/130, 139, 148, 174, 175, 205; 600/104
See application file for complete search history.

(56) **References Cited**

U.S. PATENT DOCUMENTS

4,950,273	A	8/1990	Briggs
5,174,300	A	12/1992	Bales
5,275,608	A	1/1994	Forman et al.
5,282,800	A	2/1994	Foshee
5,308,358	A	5/1994	Bond
5,330,502	A	7/1994	Hassler et al.

(Continued)

FOREIGN PATENT DOCUMENTS

WO WO2004047653 6/2004

OTHER PUBLICATIONS

Amaral, Joseph; Ergonomic Evaluation of a New Rotating, Dual
Position Laparoscopic Instrument Handle. Jun. 1994, #0-7803-2050.

(Continued)

Primary Examiner — Bridget L Eland

(74) *Attorney, Agent, or Firm* — G. Jo Hays; James Larson;
James Pinkston

(57) **CLAIM**

The ornamental design for a handle for a surgical instrument,
as shown and described.

DESCRIPTION

FIG. 1 is a right perspective view of a handle for a surgical
instrument;

FIG. 2 is a left perspective view of the handle for a surgical
instrument of FIG. 1;

FIG. 3 is a right side view of the handle for a surgical instru-
ment of FIG. 1;

FIG. 4 is a back end view of the handle for a surgical instru-
ment of FIG. 1;

FIG. 5 is a top view of the handle for a surgical instrument of
FIG. 1;

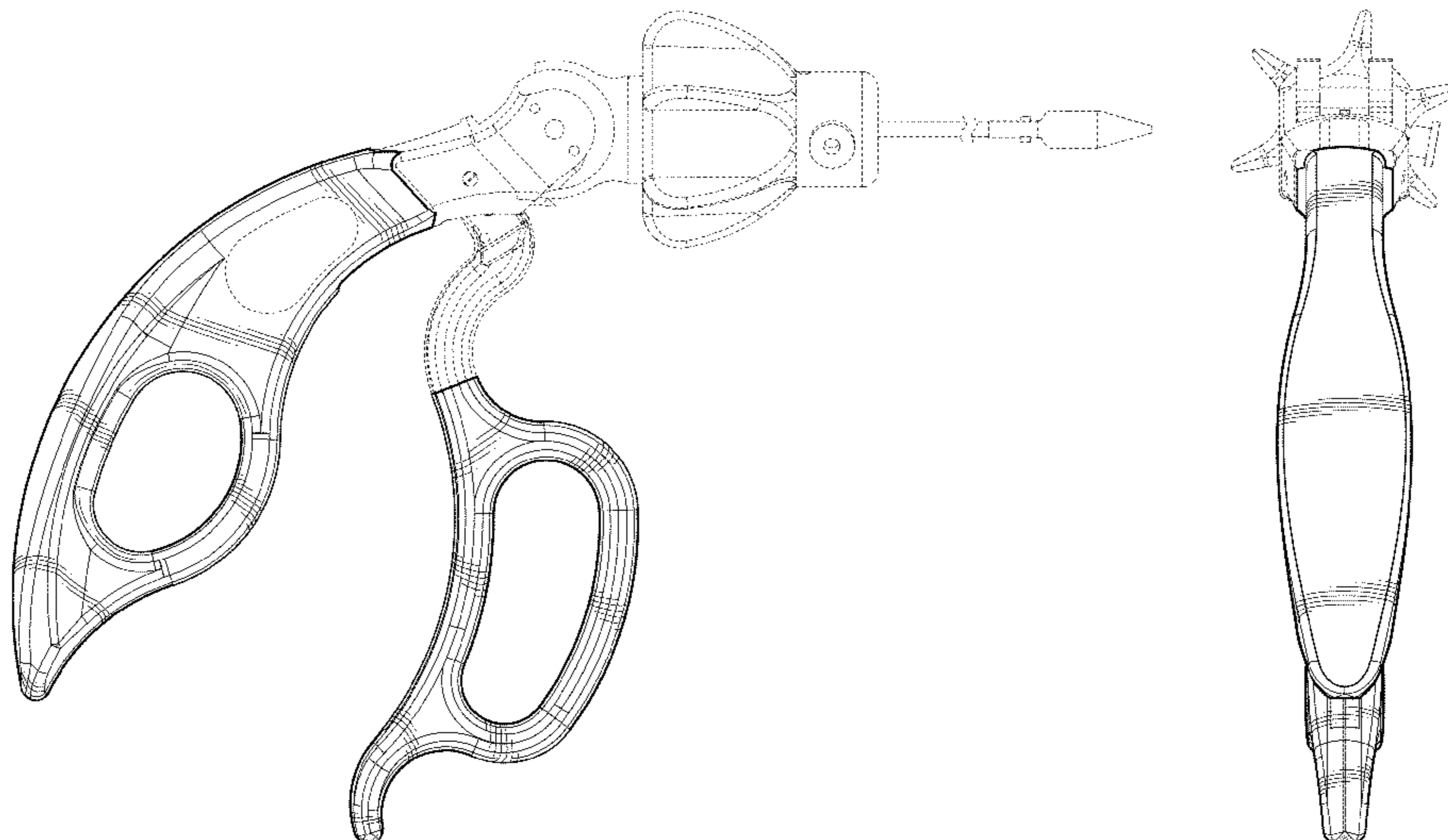
FIG. 6 is a left side view of the handle for a surgical instru-
ment of FIG. 1;

FIG. 7 is a front end view of the handle for a surgical instru-
ment of FIG. 1; and,

FIG. 8 is a bottom view of the handle for a surgical instrument
of FIG. 1.

The broken lines immediately adjacent the shaded areas rep-
resent the bounds of the claimed design while all other broken
lines are directed to environment and are for illustrative pur-
poses only; the broken lines form no part of the claimed
design. The wire frame lines shown throughout the views are
intended to indicate surface contour and are not intended to be
surface ornamentation.

1 Claim, 3 Drawing Sheets



US D685,907 S

Page 2

U.S. PATENT DOCUMENTS					
5,334,198	A	8/1994 Hart et al.	7,404,509	B2	7/2008 Ortiz
5,336,238	A	8/1994 Holmes	7,410,086	B2	8/2008 Ortiz
5,342,391	A	8/1994 Foshee	7,419,080	B2	9/2008 Kline
5,350,391	A	9/1994 Iacovelli	7,424,965	B2	9/2008 Racenet
5,368,606	A	11/1994 Marlow et al.	7,431,189	B2	10/2008 Timperman
5,374,277	A	12/1994 Hassler	7,438,209	B1	10/2008 Hess
5,403,342	A	4/1995 Tovey et al.	7,441,684	B2	10/2008 Timperman
5,472,451	A	12/1995 Freitas et al.	7,441,685	B1	10/2008 Boudreaux
5,482,197	A	1/1996 Green et al.	7,448,525	B2	11/2008 Timperman
5,484,095	A	1/1996 Green	7,494,039	B2	2/2009 Racenet
5,499,992	A	3/1996 Meade	7,506,790	B2	3/2009 Shelton
5,527,339	A	6/1996 Koscher	7,510,107	B2	3/2009 Timm
5,549,637	A	8/1996 Crainich	7,513,408	B2	4/2009 Wales
5,556,416	A	9/1996 Clark	D594,982	S *	6/2009 Stefan D24/133
5,564,615	A	10/1996 Bishop et al.	7,568,603	B2	8/2009 Gillum
5,575,799	A	11/1996 Bolanos	7,584,880	B2	9/2009 Racenet
5,577,654	A	11/1996 Bishop	7,588,176	B2	9/2009 Timperman
5,582,617	A	12/1996 Klieman	7,597,230	B2	10/2009 Racenet
5,588,580	A	12/1996 Paul	7,604,151	B2	10/2009 Hess
5,588,581	A	12/1996 Conlon et al.	7,637,410	B2	12/2009 Marczyk
5,601,224	A	2/1997 Bishop et al.	7,644,848	B2	1/2010 Doll
5,603,723	A	2/1997 Aranyi	7,673,780	B2	3/2010 Swayze
5,609,601	A	3/1997 Kolesa	7,673,782	B2	3/2010 Hess
5,626,587	A	5/1997 Bishop et al.	7,674,255	B2	3/2010 Braun
5,634,584	A	6/1997 Okorocho	7,703,653	B2	4/2010 Maffei
5,636,780	A	6/1997 Green et al.	7,721,931	B2	5/2010 Giordano
5,643,294	A	7/1997 Tovey et al.	7,721,934	B2	5/2010 Gillum
5,645,561	A	7/1997 Smith et al.	7,721,935	B2	5/2010 Racenet
5,662,662	A	9/1997 Bishop et al.	7,721,936	B2	5/2010 Shalton
5,702,408	A	12/1997 Wales et al.	7,731,072	B2	6/2010 Swayze
5,704,534	A	1/1998 Huitema et al.	7,735,703	B2	6/2010 Hess
5,725,536	A	3/1998 Oberlin	7,740,159	B2	6/2010 Timperman
5,743,456	A	4/1998 Jones et al.	7,753,904	B2	7/2010 Swayze
5,746,759	A	5/1998 Meade	7,758,608	B2	7/2010 DiCesare
5,752,973	A	5/1998 Kieturakis	D621,040	S *	8/2010 Held D24/133
5,766,196	A *	6/1998 Griffiths 606/170	7,780,660	B2	8/2010 Bourne
5,797,536	A	8/1998 Smith et al.	D624,649	S	9/2010 Seeh
5,797,538	A	8/1998 Heaton et al.	7,793,814	B2	9/2010 Racenet et al.
5,797,958	A	8/1998 Yoon	7,794,475	B2	9/2010 Hess
5,827,323	A	10/1998 Klieman	7,799,028	B2	9/2010 Schechter et al.
5,830,231	A	11/1998 Geiges	7,799,039	B2	9/2010 Shelton, IV et al.
5,836,960	A	11/1998 Kolesa	7,815,091	B2	10/2010 Marczyk
5,868,785	A	2/1999 Tal et al.	7,819,298	B2	10/2010 Hall et al.
5,893,874	A *	4/1999 Bourque et al. 606/205	7,845,537	B2	12/2010 Shelton, IV et al.
5,901,895	A	5/1999 Heaton et al.	7,861,906	B2	1/2011 Doll et al.
5,904,702	A *	5/1999 Ek et al. 606/206	7,866,527	B2	1/2011 Hall et al.
5,928,255	A	7/1999 Meade et al.	7,922,739	B2	4/2011 Downey
5,931,844	A *	8/1999 Thompson et al. 606/144	7,954,682	B2	6/2011 Giordano
5,954,731	A	9/1999 Yoon	2002/0055758	A1	5/2002 Sasaki
5,976,121	A	11/1999 Matern	2005/0103819	A1	5/2005 Racenet
5,984,939	A	11/1999 Yoon	2006/0190031	A1	8/2006 Wales
5,993,467	A	11/1999 Yoon	2006/0226196	A1	10/2006 Hueil
5,997,565	A	12/1999 Inoue	2006/0229665	A1	10/2006 Wales
6,051,006	A *	4/2000 Shluzas et al. 606/148	2006/0289602	A1	12/2006 Wales
6,077,286	A	6/2000 Cuschieri	2007/0023477	A1	2/2007 Whitman
6,168,605	B1 *	1/2001 Measamer et al. 606/174	2007/0084897	A1	4/2007 Shelton
6,250,532	B1	6/2001 Green et al.	2007/0106317	A1	5/2007 Shelton
6,261,307	B1	7/2001 Yoon	2007/0175949	A1	8/2007 Shelton
6,328,703	B1 *	12/2001 Murakami 601/4	2007/0175951	A1	8/2007 Shelton
6,436,122	B1	8/2002 Frank	2007/0175952	A1	8/2007 Shelton
6,540,737	B2	4/2003 Bacher et al.	2007/0175953	A1	8/2007 Shelton
6,619,529	B2	9/2003 Green et al.	2007/0175955	A1	8/2007 Shelton
6,644,532	B2	11/2003 Green et al.	2007/0175958	A1	8/2007 Shelton
6,666,854	B1	12/2003 Lange	2007/0175960	A1	8/2007 Shelton
6,786,382	B1	9/2004 Hoffman	2007/0175962	A1	8/2007 Shelton
6,877,647	B2	4/2005 Green et al.	2007/0175964	A1	8/2007 Shelton
6,936,061	B2	8/2005 Sasaki	2008/0029570	A1	2/2008 Shelton
6,964,363	B2	11/2005 Wales et al.	2008/0029573	A1	2/2008 Shelton
6,981,628	B2	1/2006 Wales	2008/0029574	A1	2/2008 Shelton
7,055,731	B2	6/2006 Shelton, IV et al.	2008/0029575	A1	2/2008 Shelton
7,111,769	B2	9/2006 Wales et al.	2008/0078800	A1	4/2008 Hess
7,159,750	B2	1/2007 Racenet	2008/0078802	A1	4/2008 Hess
D541,416	S *	4/2007 Baehr et al. D24/133	2008/0078803	A1	4/2008 Shelton
7,213,736	B2	5/2007 Wales	2008/0078804	A1	4/2008 Shelton
7,246,734	B2	7/2007 Shelton	2008/0078806	A1	4/2008 Omaitis
7,296,724	B2	11/2007 Green et al.	2008/0078807	A1	4/2008 Hess
7,328,828	B2	2/2008 Ortiz	2008/0078808	A1	4/2008 Hess
7,404,508	B2	7/2008 Kline	2008/0167522	A1	7/2008 Giordano
			2008/0167644	A1	7/2008 Shelton

US D685,907 S

Page 3

2008/0167672 A1 7/2008 Giordano
2008/0296346 A1 12/2008 Shelton.
2008/0300580 A1 12/2008 Shelton.
2008/0308602 A1 12/2008 Timm
2008/0308603 A1 12/2008 Shelton
2009/0001121 A1 1/2009 Hess
2009/0001130 A1 1/2009 Hess
2009/0005807 A1 1/2009 Hess
2009/0005808 A1 1/2009 Hess
2009/0005809 A1 1/2009 Hess
2009/0209990 A1 8/2009 Yates
2009/0247994 A1 10/2009 Bacher
2009/0289096 A1 11/2009 Shelton
2009/0292282 A9 11/2009 Dycus
2010/0030018 A1 2/2010 Fortier
2010/0032470 A1 2/2010 Hess
2010/0069942 A1 3/2010 Shelton
2010/0076260 A1 3/2010 Taylor
2010/0076474 A1 3/2010 Yates
2010/0076475 A1 3/2010 Yates
2010/0089970 A1 4/2010 Smith
2010/0089974 A1 4/2010 Shelton
2010/0133317 A1 6/2010 Shelton
2010/0179382 A1 7/2010 Shelton
2010/0193566 A1 8/2010 Scheib
2010/0193567 A1 8/2010 Scheib
2010/0193568 A1 8/2010 Scheib
2010/0193569 A1 8/2010 Yates
2010/0198220 A1 8/2010 Boudreaux
2010/0224669 A1 9/2010 Shelton
2010/0243706 A1 9/2010 Cohen

2010/0243709 A1 9/2010 Hess
2010/0305552 A1 12/2010 Shelton
2011/0024480 A1 2/2011 Marczyk
2011/0062211 A1 3/2011 Ross
2011/0068148 A1 3/2011 Hall
2011/0132962 A1 6/2011 Hall
2011/0155788 A1 6/2011 Hillstead
2011/0295297 A1* 12/2011 Shirley et al. 606/184
2012/0209254 A1* 8/2012 Park et al. 606/1
2012/0232338 A1* 9/2012 Livneh 600/104

OTHER PUBLICATIONS

Buchel, D.; Ergonomics of Disposable Handles for Minimally Invasive Surgery. *Sug. Endosc.* (2010) 24:992-1004.
Matern, U.; MIS Instruments. *Surgical Endoscopy*, (199) 13; 756-762.
Matern, U.; Ergonomic Aspects of Five Different Types of Laparoscopic Instrument Handles Under Dynamic Conditions with respect to Specific Laparoscopic Tasks: An Electromyographic-Based Study. *Surg. Endosc* (2004) 18: 1231-1241.
Matern, U.; Instruments for Minimally Invasive Surgery. *Sug. Endosc* (199) 13: 174-182.
Veelen, MA; Improved Physical Ergonomics of Laparoscopic Surgery. *Min Invas Ther & Allied Technology* (2004) 13; 3 161-166.
Youssef, Yassar; Laparoscopic Cholecystectomy Poses Physical Injury Risk to Surgeon's: Analysis of Hand Technique and Standing Position. *Surg. Endosc.* (2011) 25: 2168-2174.

* cited by examiner

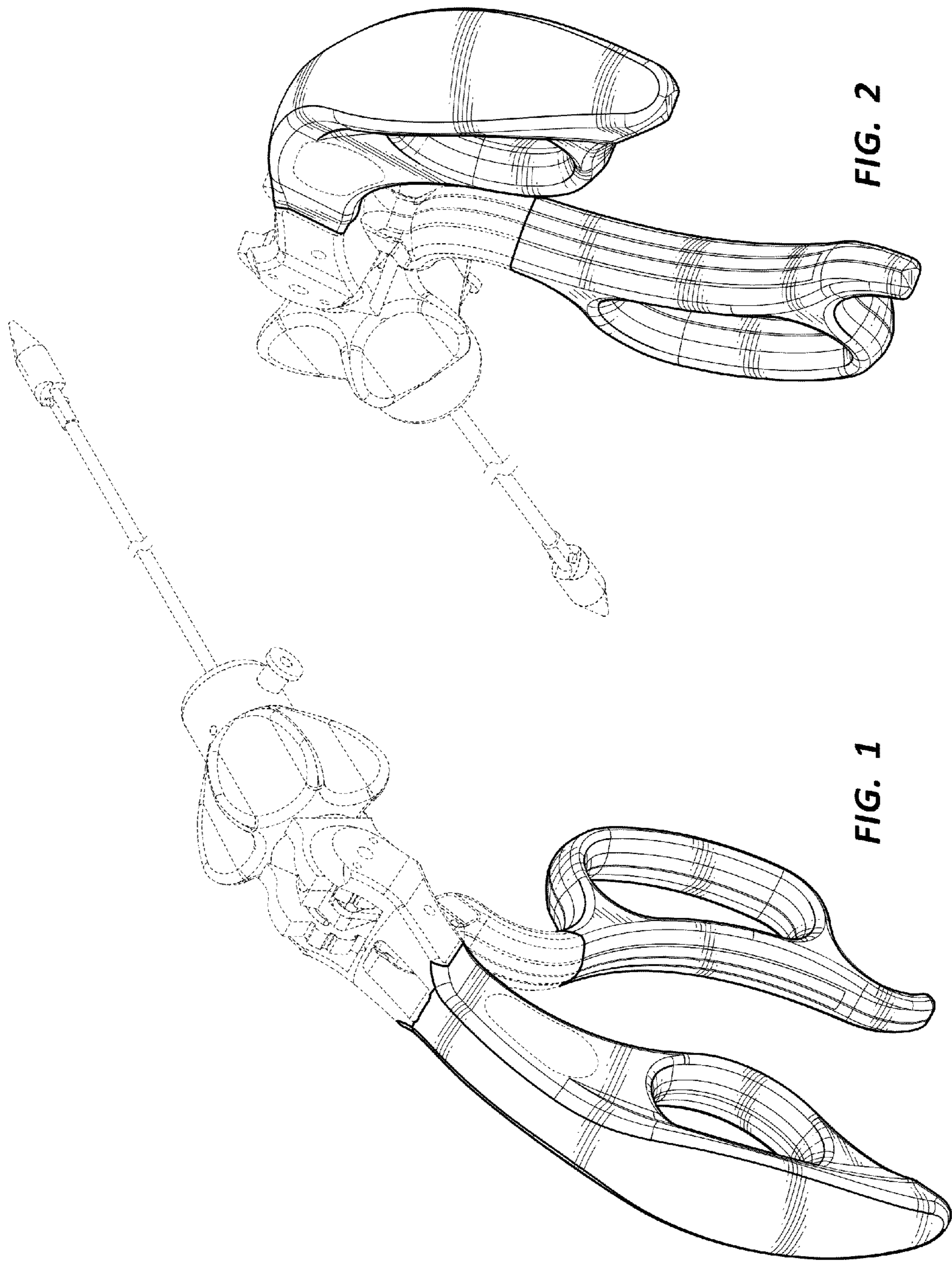


FIG. 2

FIG. 1

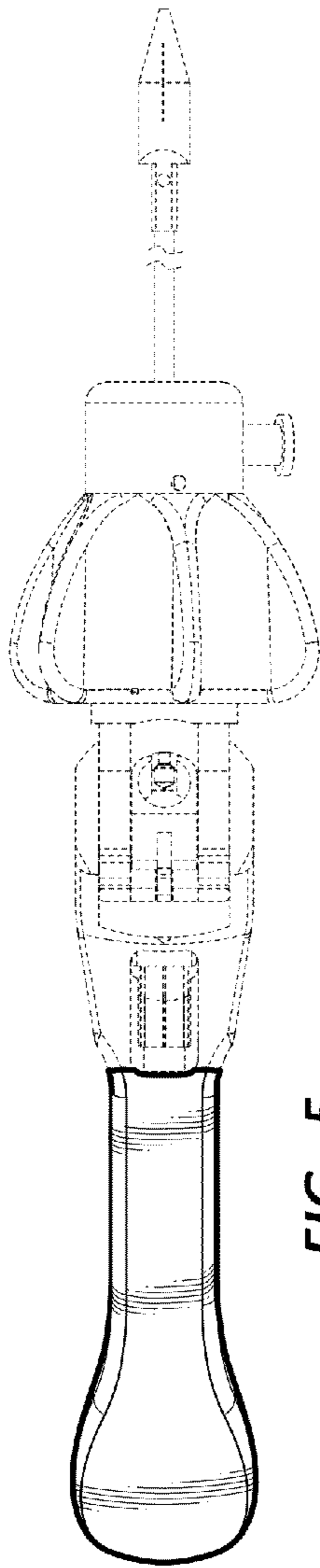


FIG. 5

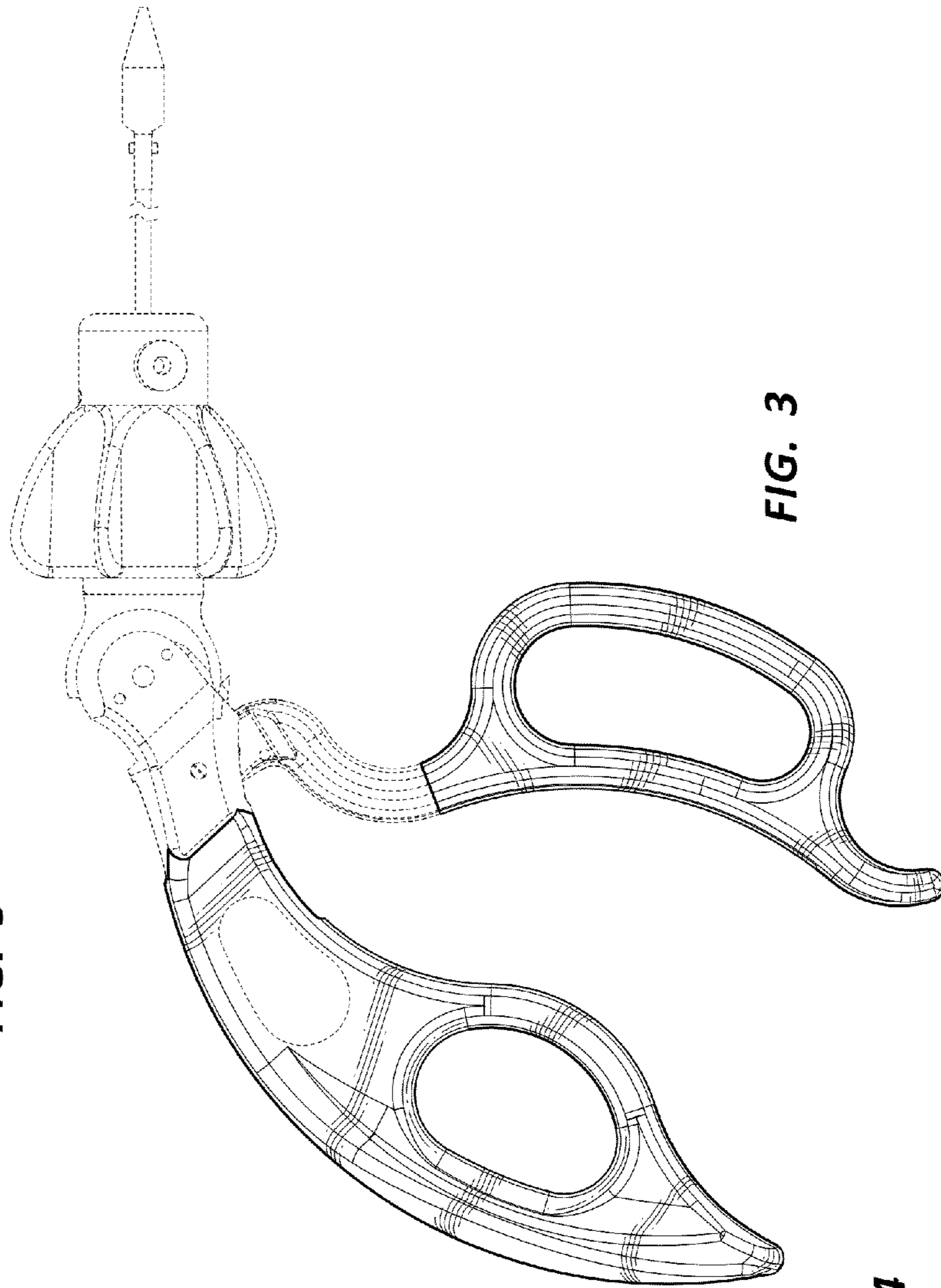


FIG. 3

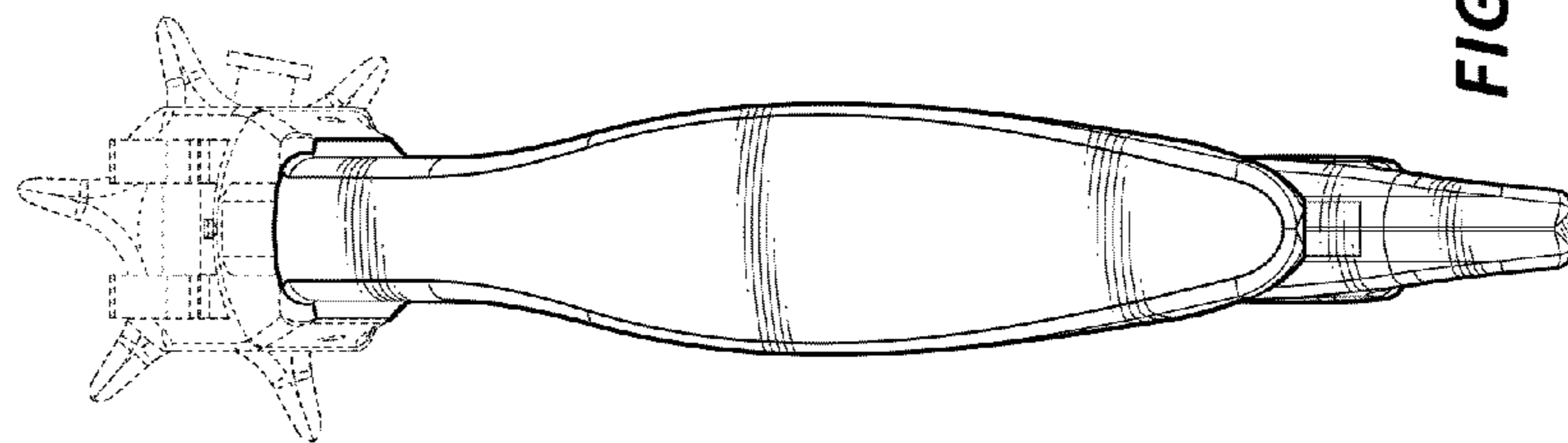


FIG. 4

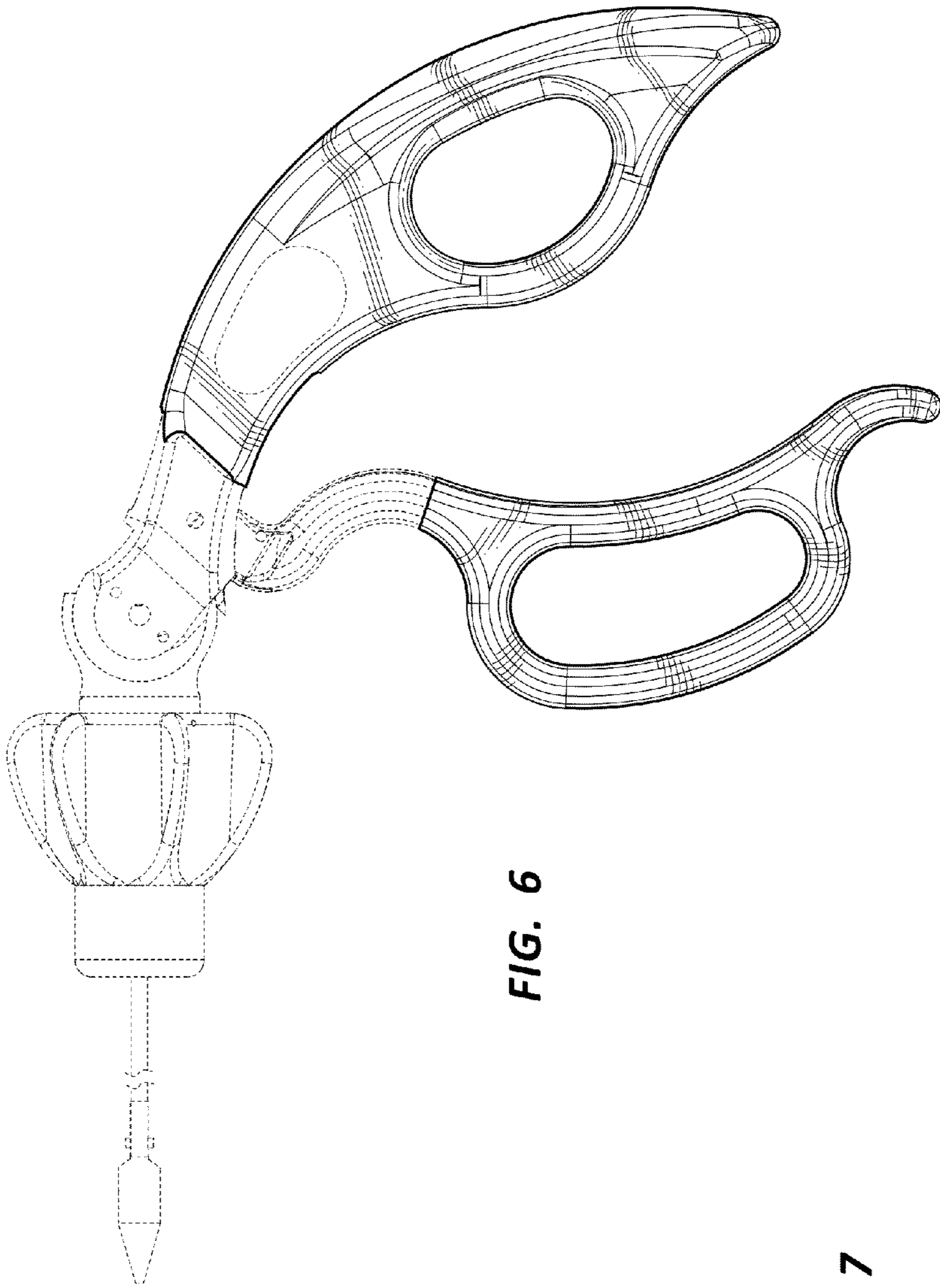


FIG. 6

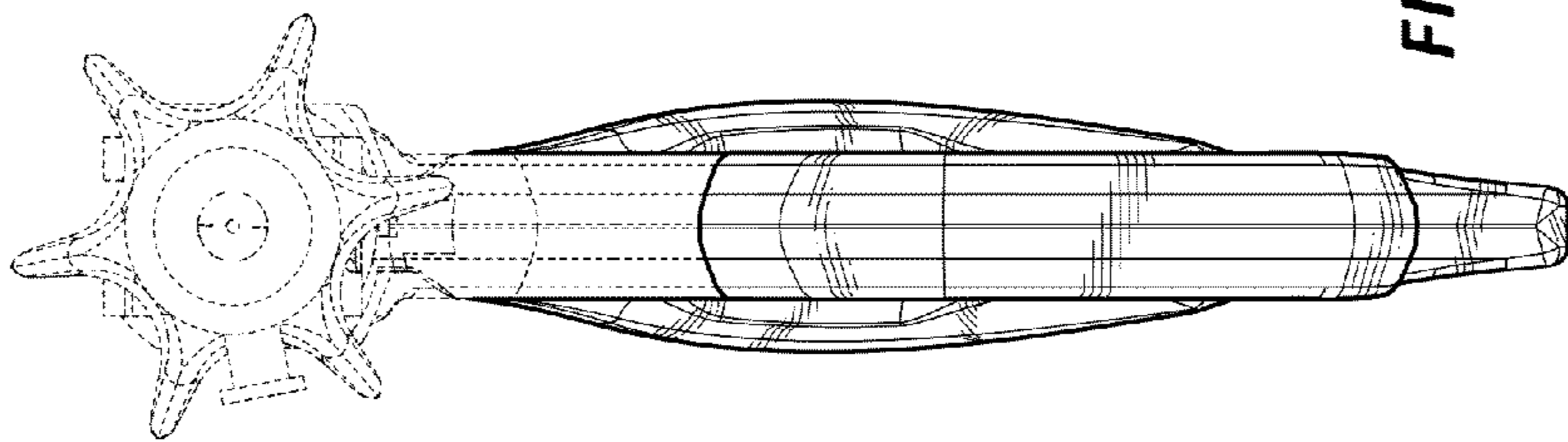


FIG. 7

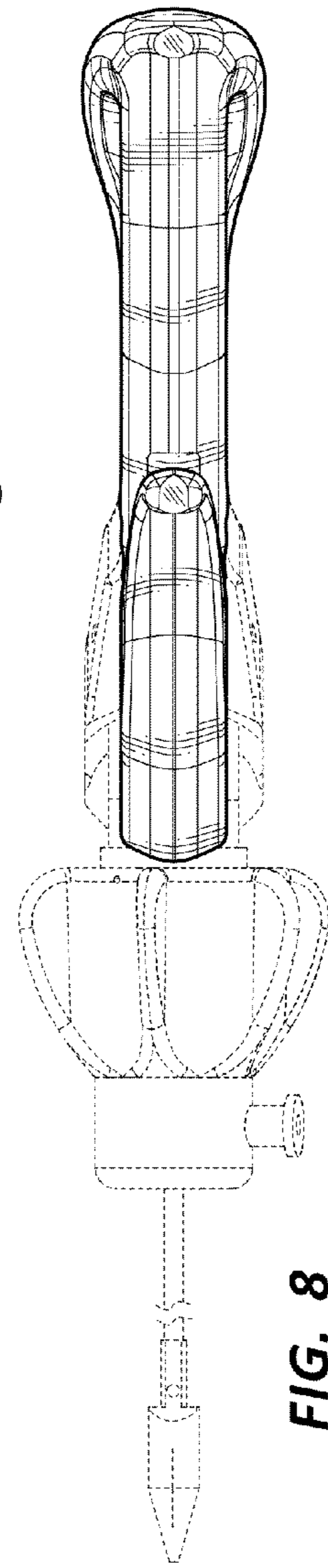


FIG. 8