



US00D685906S

(12) **United States Design Patent**
Dale et al.

(10) **Patent No.:** **US D685,906 S**
(45) **Date of Patent:** **** Jul. 9, 2013**

(54) **FLUIDIC CONNECTOR**

(75) Inventors: **James D. Dale**, Nashua, NH (US);
Kevin L. Grant, Litchfield, NH (US)

(73) Assignee: **DEKA Products Limited Partnership**,
Manchester, NH (US)

(**) Term: **14 Years**

(21) Appl. No.: **29/386,309**

(22) Filed: **Feb. 28, 2011**

Related U.S. Application Data

(62) Division of application No. 29/323,615, filed on Aug. 27, 2008, now Pat. No. Des. 636,077.

(51) **LOC (9) Cl.** **24-02**

(52) **U.S. Cl.**
USPC **D24/129**

(58) **Field of Classification Search**
USPC D24/129, 111; D23/259-260, 265; 128/DIG. 20, DIG. 10, 24, 84, 202.27, 205.24; 285/304, 285/305, 26, 319, 317, 137.1; D13/154
See application file for complete search history.

(56) **References Cited**

U.S. PATENT DOCUMENTS

D319,312 S *	8/1991	Schneider	D24/129
D339,417 S	9/1993	Sampson et al.		
D354,133 S	1/1995	Scavitto et al.		
D372,093 S	7/1996	Sampson et al.		
D373,192 S *	8/1996	Murphy et al.	D24/129
D375,160 S	10/1996	Sampson et al.		
D378,130 S *	2/1997	Schmidt	D24/129
D388,876 S	1/1998	Sampson		
D435,291 S	12/2000	Asfora		
D455,489 S	4/2002	Beck et al.		
6,659,976 B2	12/2003	Beck et al.		

D503,978 S	4/2005	Beck		
D504,506 S	4/2005	Beck et al.		
D507,647 S *	7/2005	Beck et al.	D24/111
D523,553 S	6/2006	Beck et al.		
D536,783 S	2/2007	Cise et al.		
D578,209 S	10/2008	Schurg et al.		
7,448,653 B2	11/2008	Jensen et al.		
D612,336 S	3/2010	Bodwell et al.		

(Continued)

OTHER PUBLICATIONS

“Plastic Quick Disconnect Coupling and Fittings,” 7 pages, <http://www.colder.com/Products/Plastic/tabid/693/Default.aspx?ProductId=9> (accessed Jul. 16, 2009).

(Continued)

Primary Examiner — John Windmuller

(74) *Attorney, Agent, or Firm* — Wolf, Greenfield & Sacks, P.C.

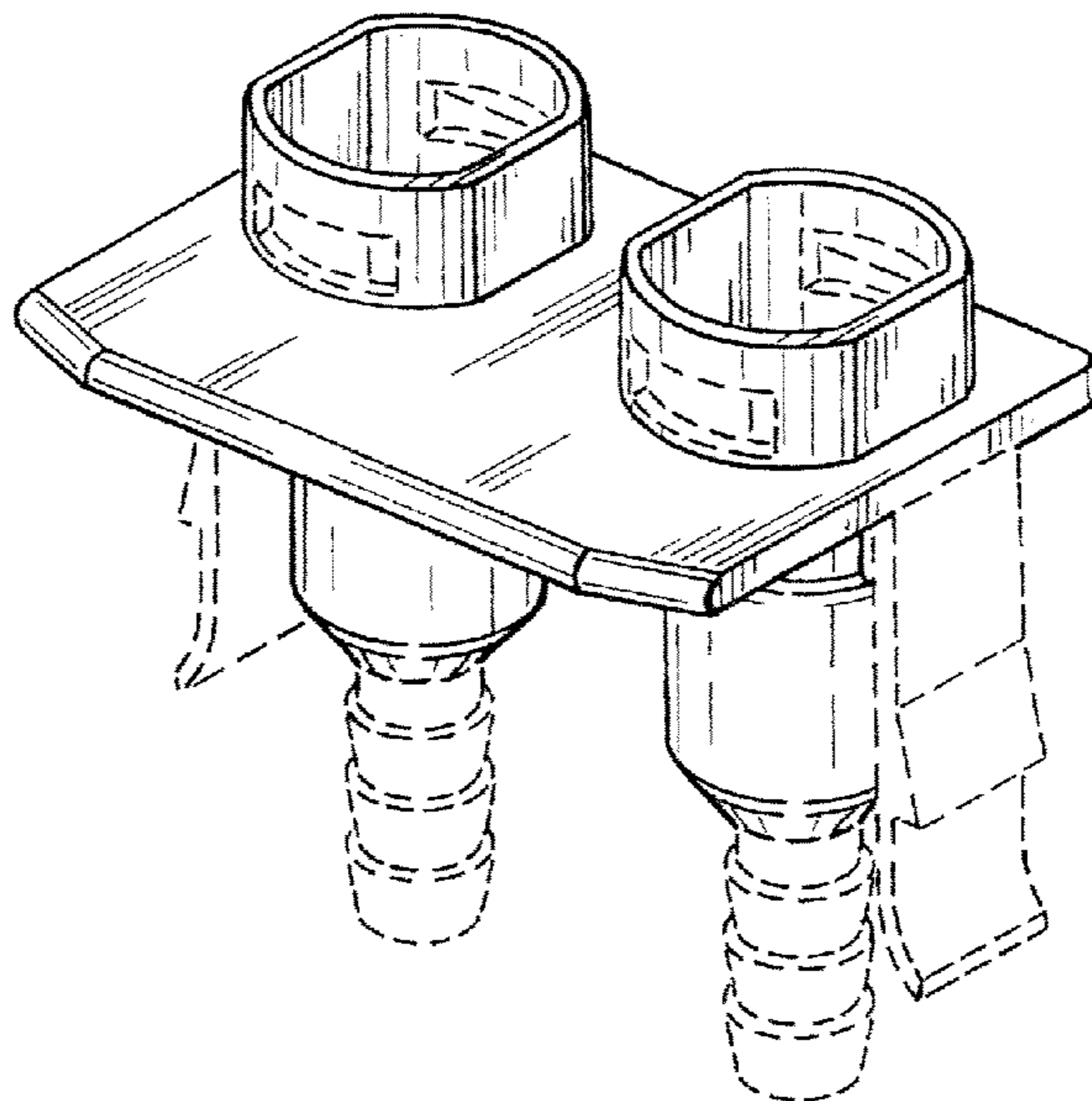
(57) **CLAIM**

The ornamental design for a fluidic connector, as shown and described.

DESCRIPTION

FIG. 1 is a top, front, right side perspective view of the fluidic connector;
FIG. 2 is a front elevational view of the fluidic connector;
FIG. 3 is a rear elevational view of the fluidic connector;
FIG. 4 is a right side elevational view, the left side being a mirror image thereof, of the fluidic connector; and,
FIG. 5 is a top plan view of the fluidic connector.
Only the portion of the fluidic connector in solid lines is claimed. The portion of the figures shown in dashed lines forms no part of the claimed invention.

1 Claim, 5 Drawing Sheets



US D685,906 S

Page 2

U.S. PATENT DOCUMENTS

D649,240 S * 11/2011 Lewis et al. D24/129
D671,209 S * 11/2012 Row et al. D24/129
2009/0105629 A1 4/2009 Grant et al.
2009/0140519 A1* 6/2009 Pavnaskar et al. 285/308
2009/0167018 A1* 7/2009 Lien 285/308
2010/0056975 A1* 3/2010 Dale et al. 604/6.16
2010/0078934 A1* 4/2010 Matsunaga 285/316

OTHER PUBLICATIONS

“Plastic Fittings & Product Accessories from Colder Products Company,” 3 pages, <http://www.colder.com/Products/FittingsAccessories/tabid/797/Default.aspx?ProductId=66> (accessed Jul. 16, 2009).

* cited by examiner

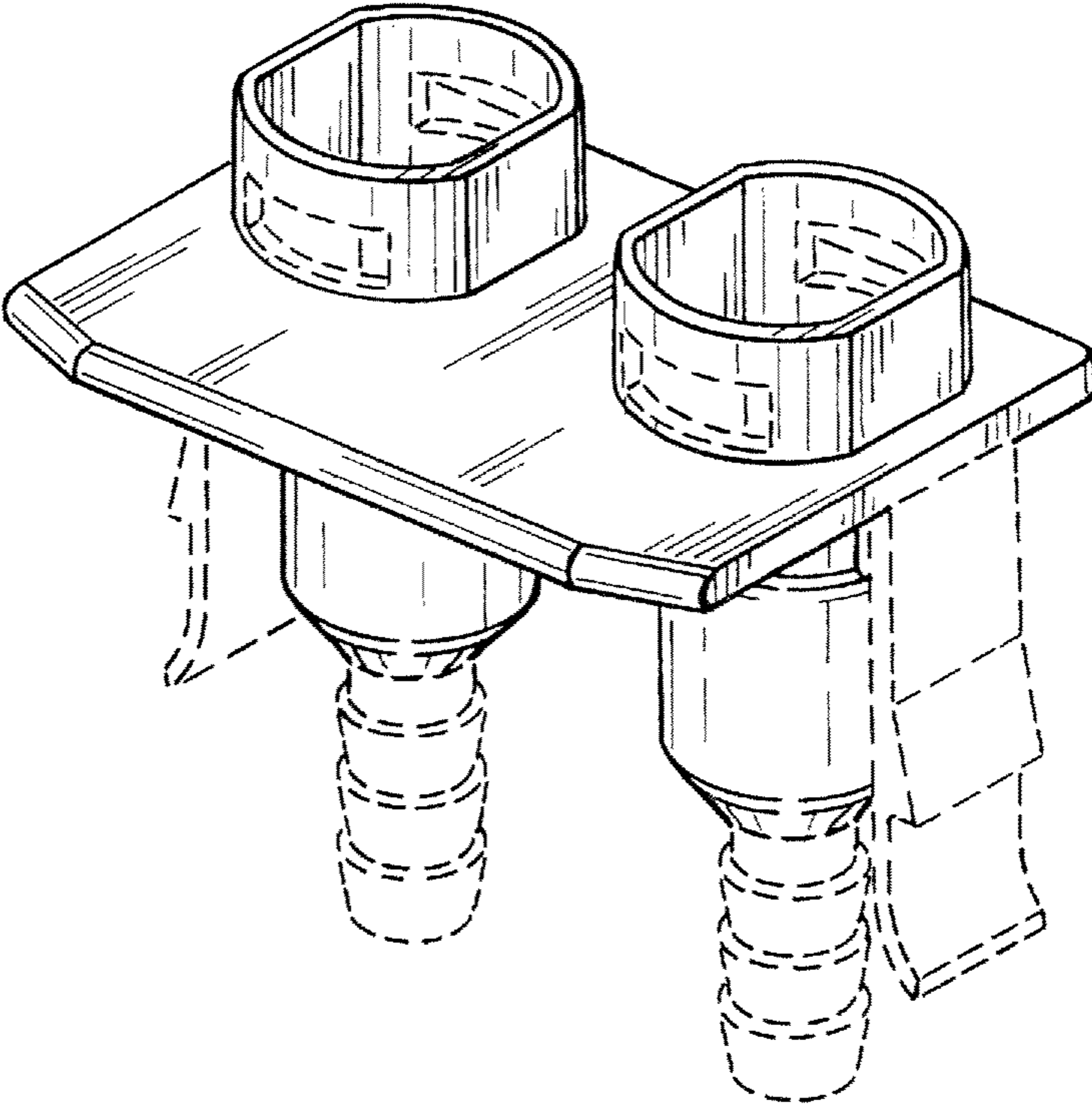


Fig. 1

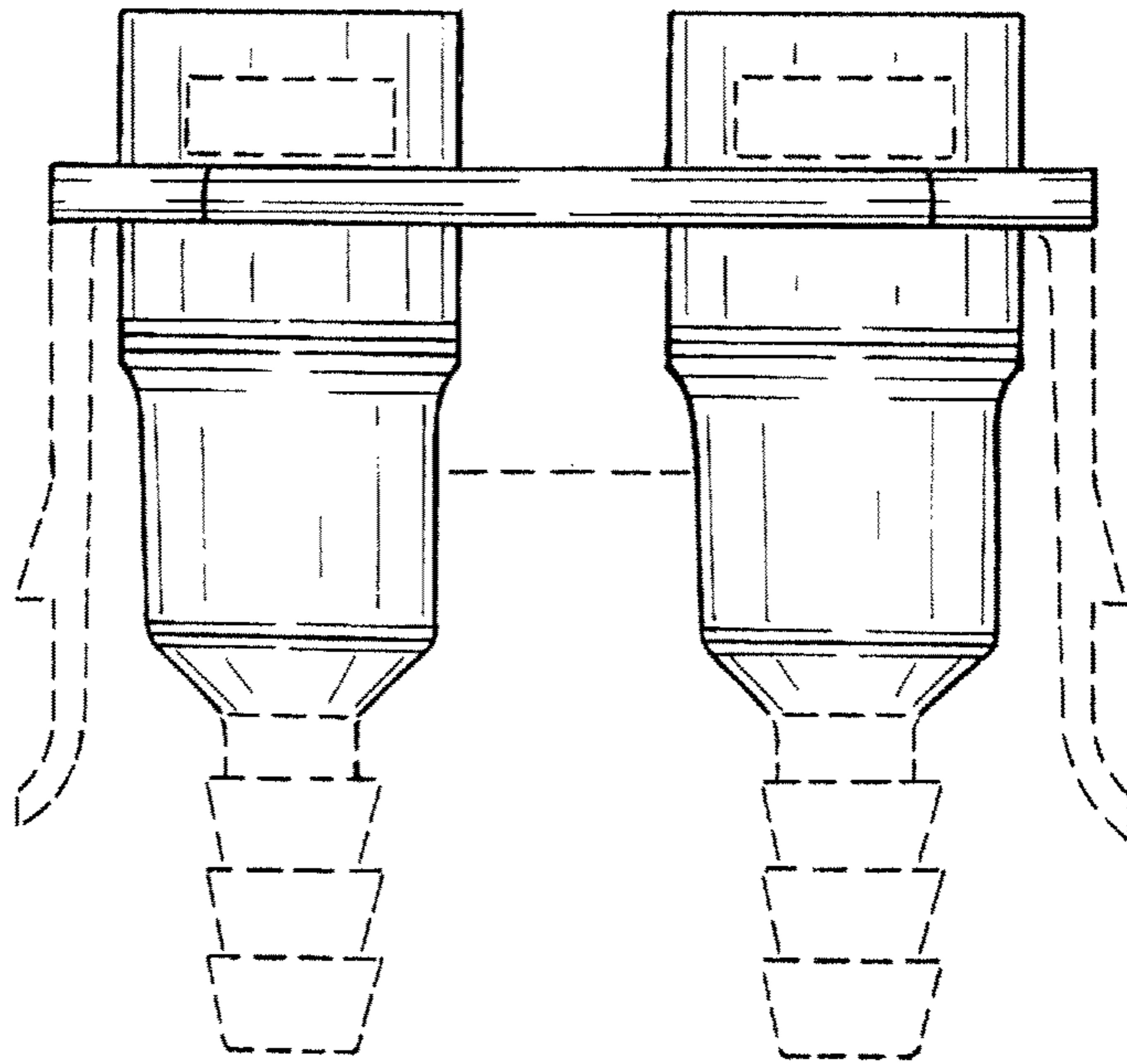


Fig. 2

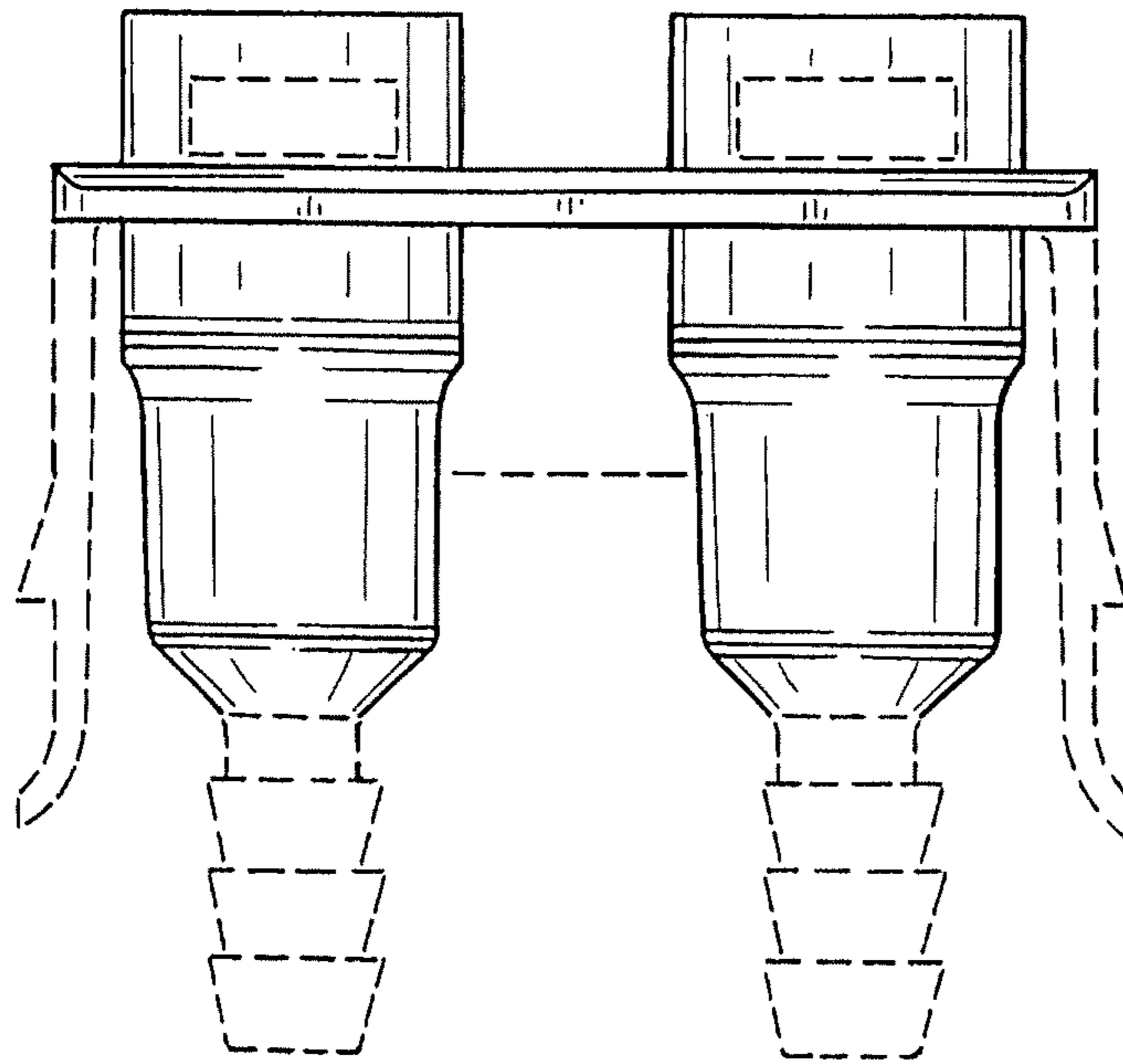


Fig. 3

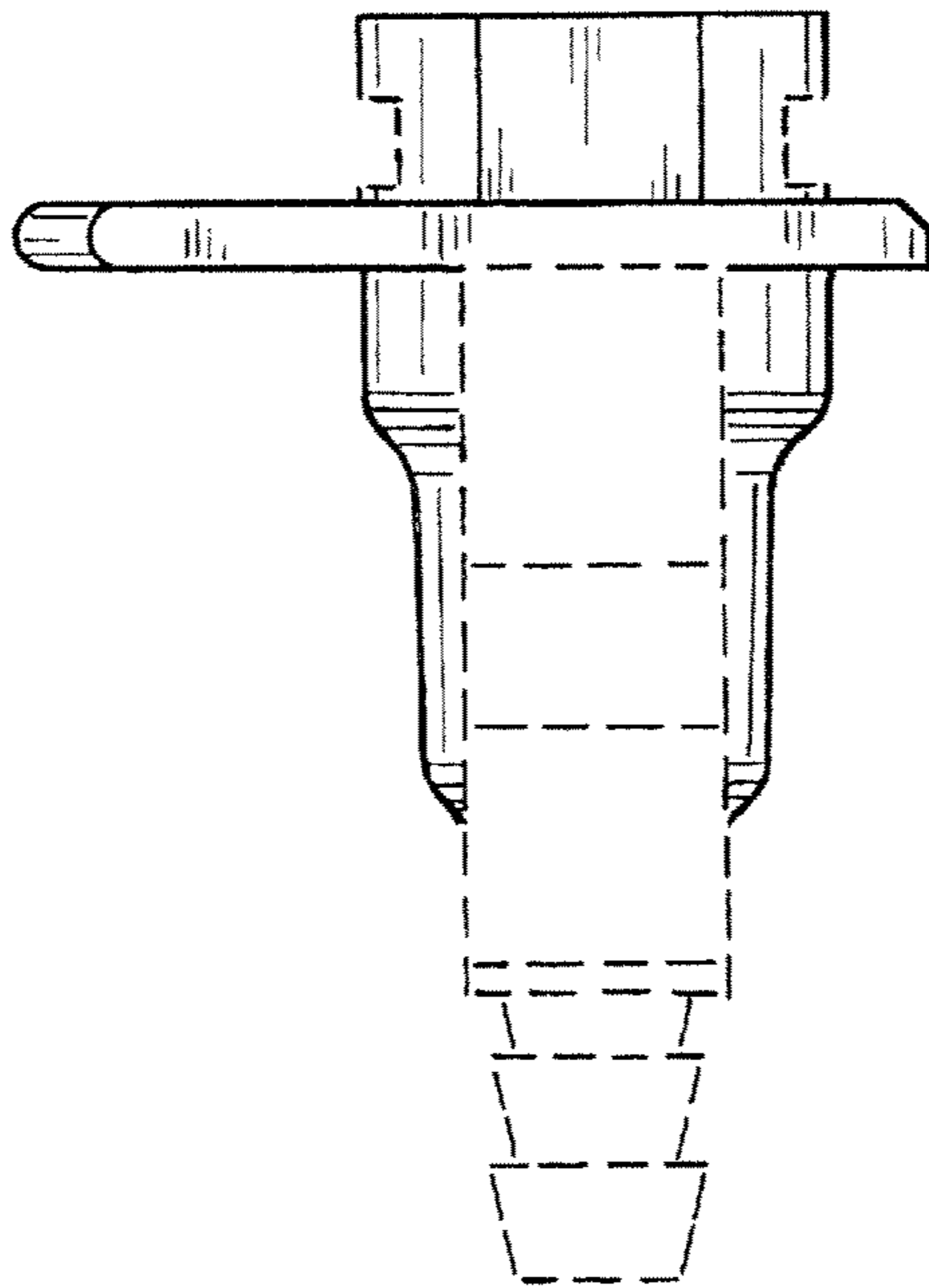


Fig. 4

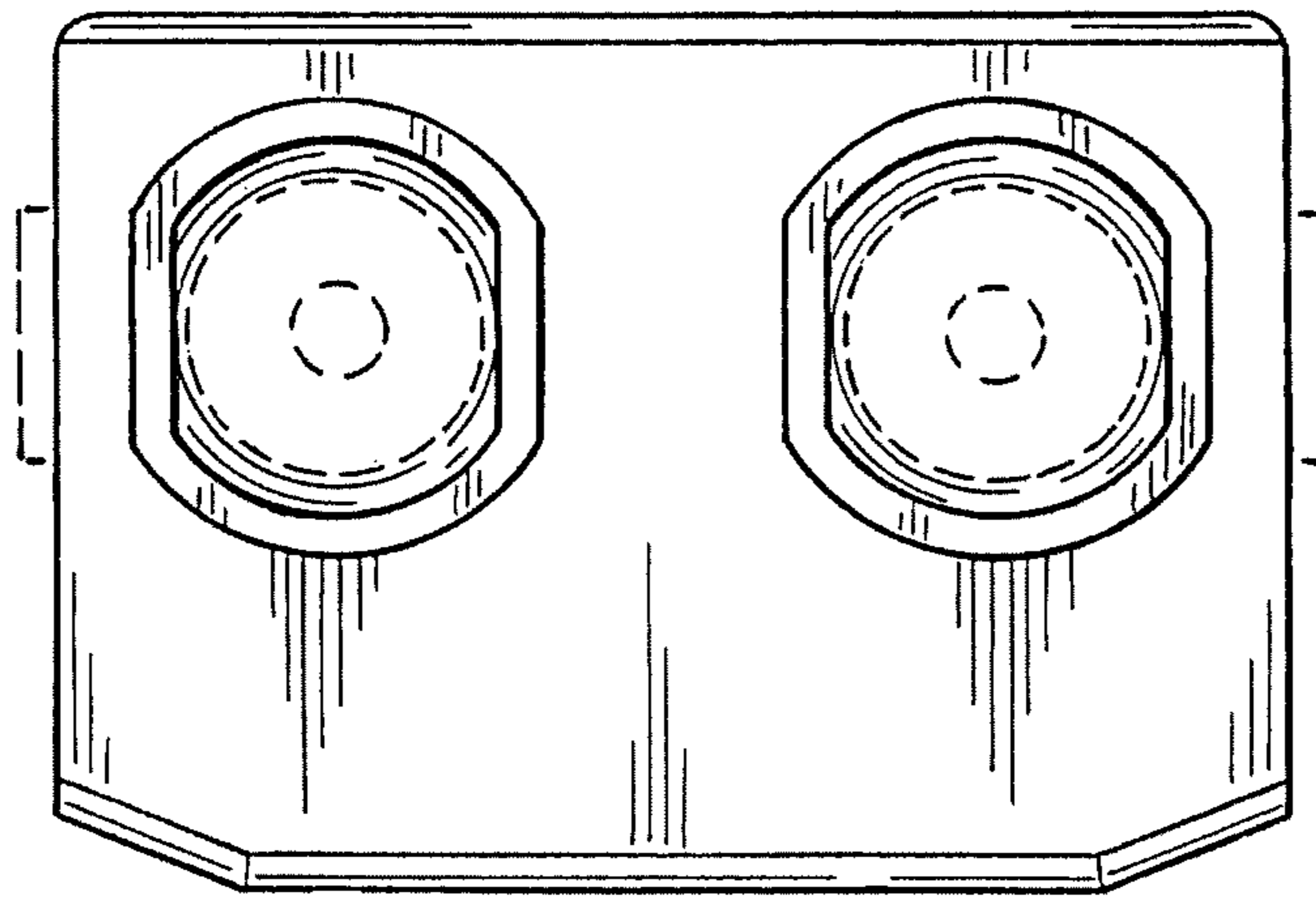


Fig. 5