



US00D685903S

(12) **United States Design Patent**
White-Spratlin et al.

(10) **Patent No.:** **US D685,903 S**
(45) **Date of Patent:** **** Jul. 9, 2013**

(54) **HEAD STRAP FOR NEBULIZER MASK**

(74) *Attorney, Agent, or Firm* — Hammer & Associates, P.C.

(75) Inventors: **Elizabeth Margaret White-Spratlin**,
Auburn, AL (US); **Betty Joyce Spratlin**,
Auburn, AL (US)

(57) **CLAIM**
The ornamental design for a head strap for a nebulizer mask,
as shown and described.

(73) Assignee: **MasonAvery Inc.**, Auburn, AL (US)

(**) Term: **14 Years**

DESCRIPTION

(21) Appl. No.: **29/407,122**

FIG. 1 is a front isometric view of a head strap for a nebulizer mask shown in use;

(22) Filed: **Nov. 23, 2011**

FIG. 2 is a rear isometric view thereof, broken away for ease of illustration;

(51) **LOC (9) Cl.** **29-02**

(52) **U.S. Cl.**
USPC **D24/110.1**

FIG. 3 is a reduced front elevational view of a head strap for a nebulizer mask;

(58) **Field of Classification Search**
USPC D24/110, 110.1-110.4; 128/97.1,
128/201.22, 206.28, 207.11, DIG. 26
See application file for complete search history.

FIG. 4 is an enlarged front elevational view of FIG. 3 shown broken away for ease of illustration;

FIG. 5 is a rear elevational view thereof, with an enlarged detail shown in the broken line circle;

FIG. 6 is a right side elevational view thereof;

FIG. 7 is a left side elevational view thereof;

FIG. 8 is a top plan view thereof;

FIG. 9 is a bottom plan view thereof;

FIG. 10 is a front isometric view, shown in an alternate position and in use;

FIG. 11 is a front isometric view, shown in an alternate position and in use in an alternate environment; and,

FIG. 12 is a front isometric view thereof, shown in an alternate environment.

The broken line showing of a child with mask and the broken line showing of a fastener is included for the purpose of illustrating environment and forms no part of the claimed design.

The broken line showing on the surface of the article is stitching and is part of the claimed design.

(56) **References Cited**

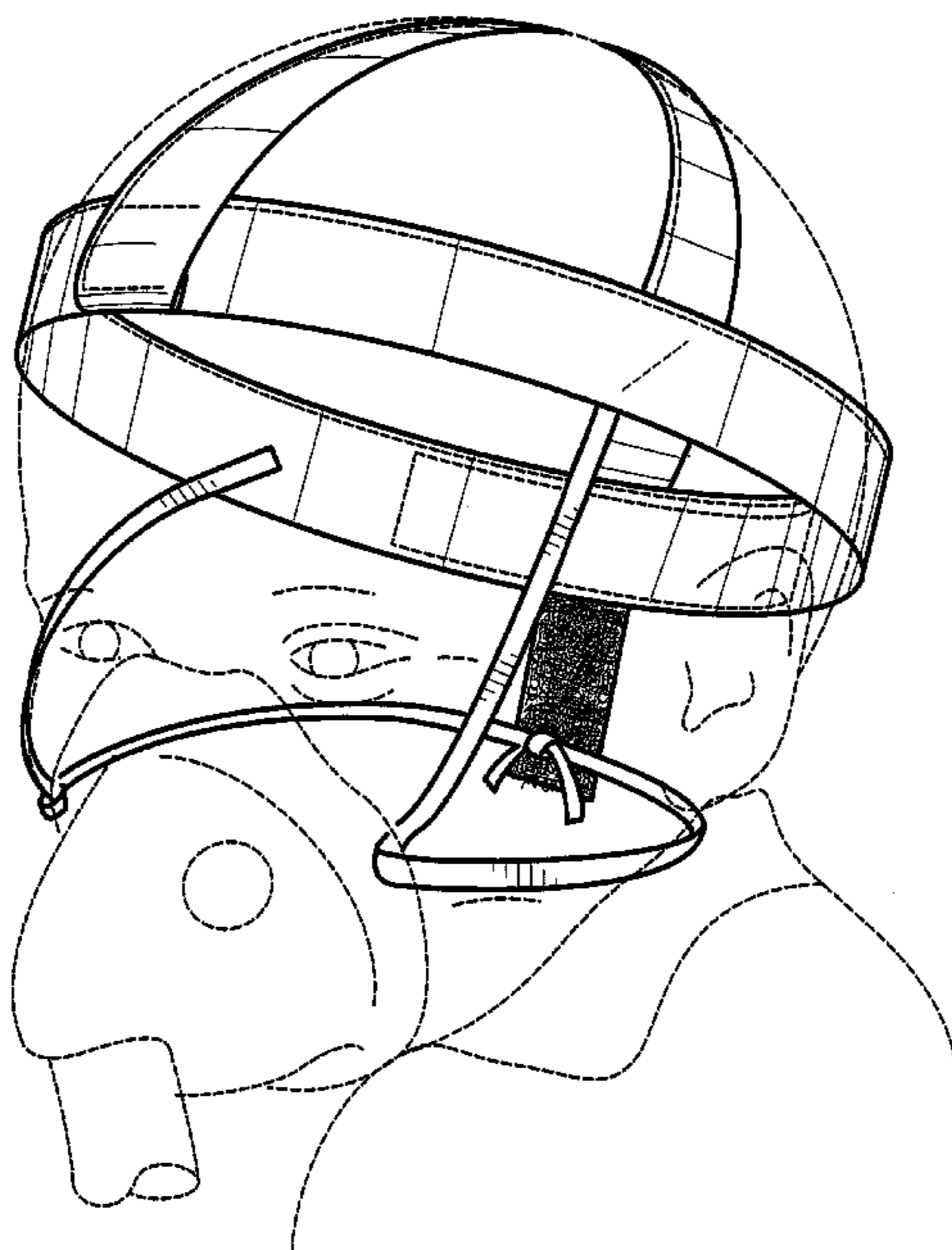
U.S. PATENT DOCUMENTS

3,141,459	A *	7/1964	Orcutt	602/74
3,503,392	A *	3/1970	Beeman	128/889
3,752,157	A *	8/1973	Malmin	128/206.12
4,248,215	A *	2/1981	Bleakley	601/134
4,774,946	A *	10/1988	Ackerman et al.	128/207.18
4,915,106	A *	4/1990	Aulgur et al.	128/207.11
D383,204	S *	9/1997	Lomas	D24/110
D440,652	S *	4/2001	Pollard	D24/110.1
2005/0121037	A1 *	6/2005	Wood	128/207.18
2006/0081252	A1 *	4/2006	Wood	128/207.11
2011/0056489	A1 *	3/2011	Slaker et al.	128/201.22

* cited by examiner

Primary Examiner — Ian Simmons
Assistant Examiner — Richelle Shelton

1 Claim, 12 Drawing Sheets



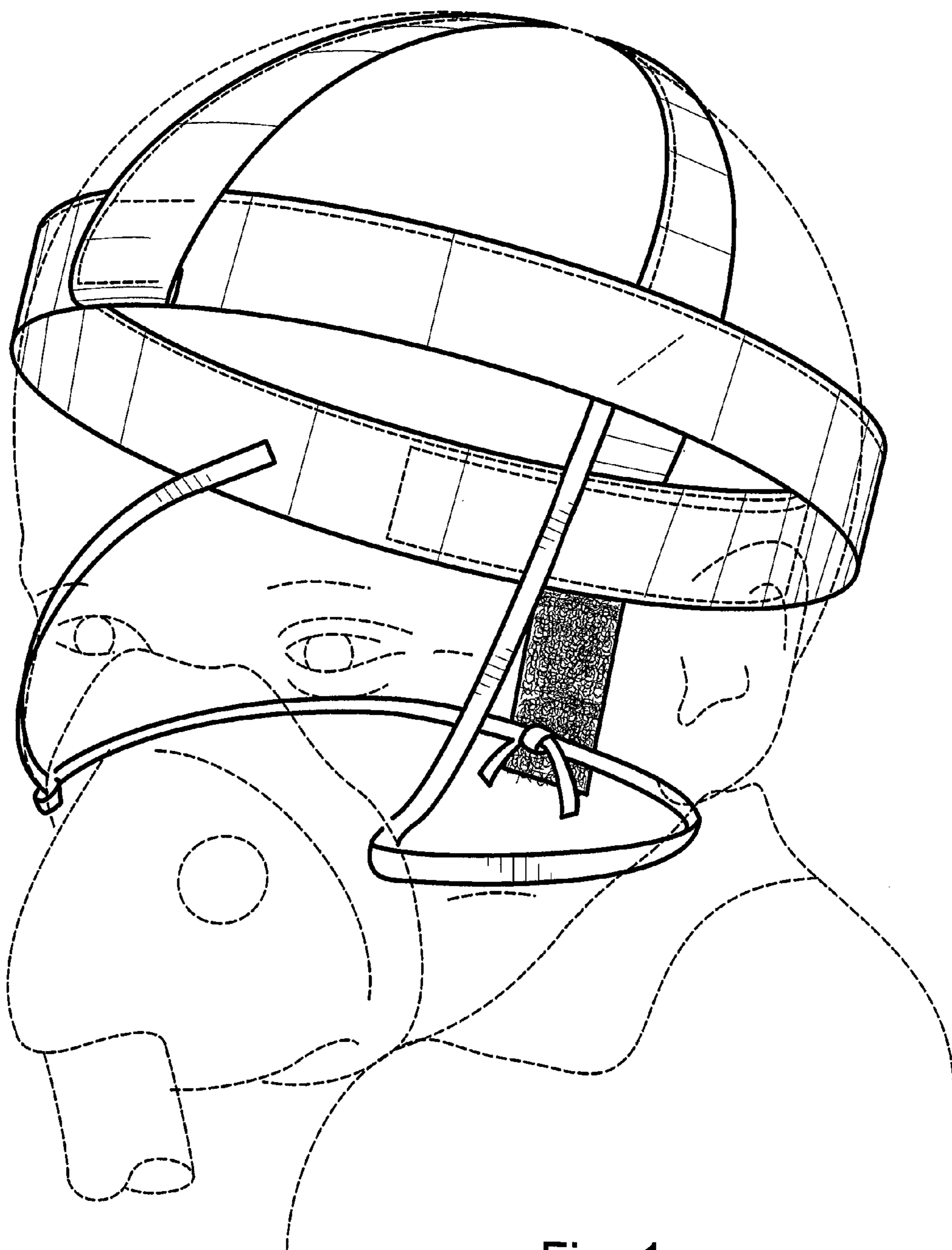


Fig. 1

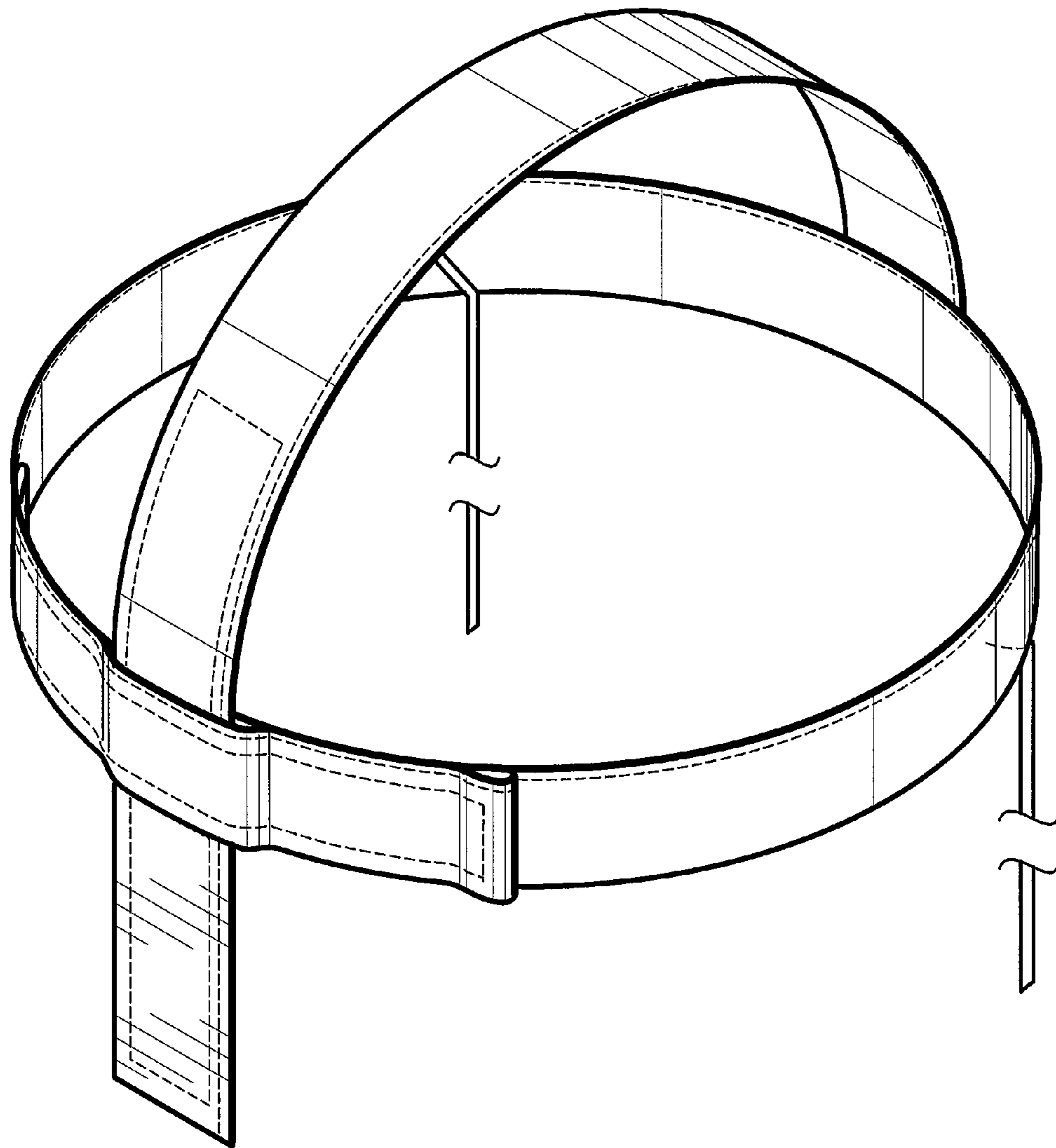


Fig. 2

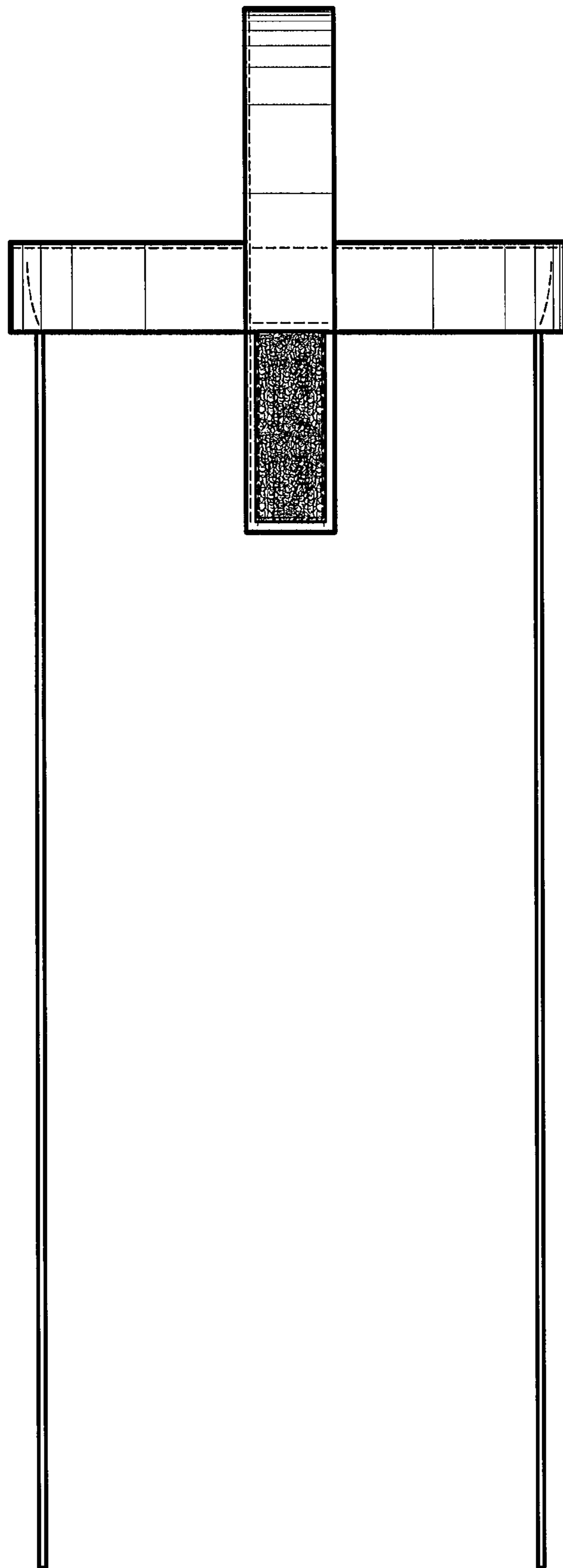


Fig. 3

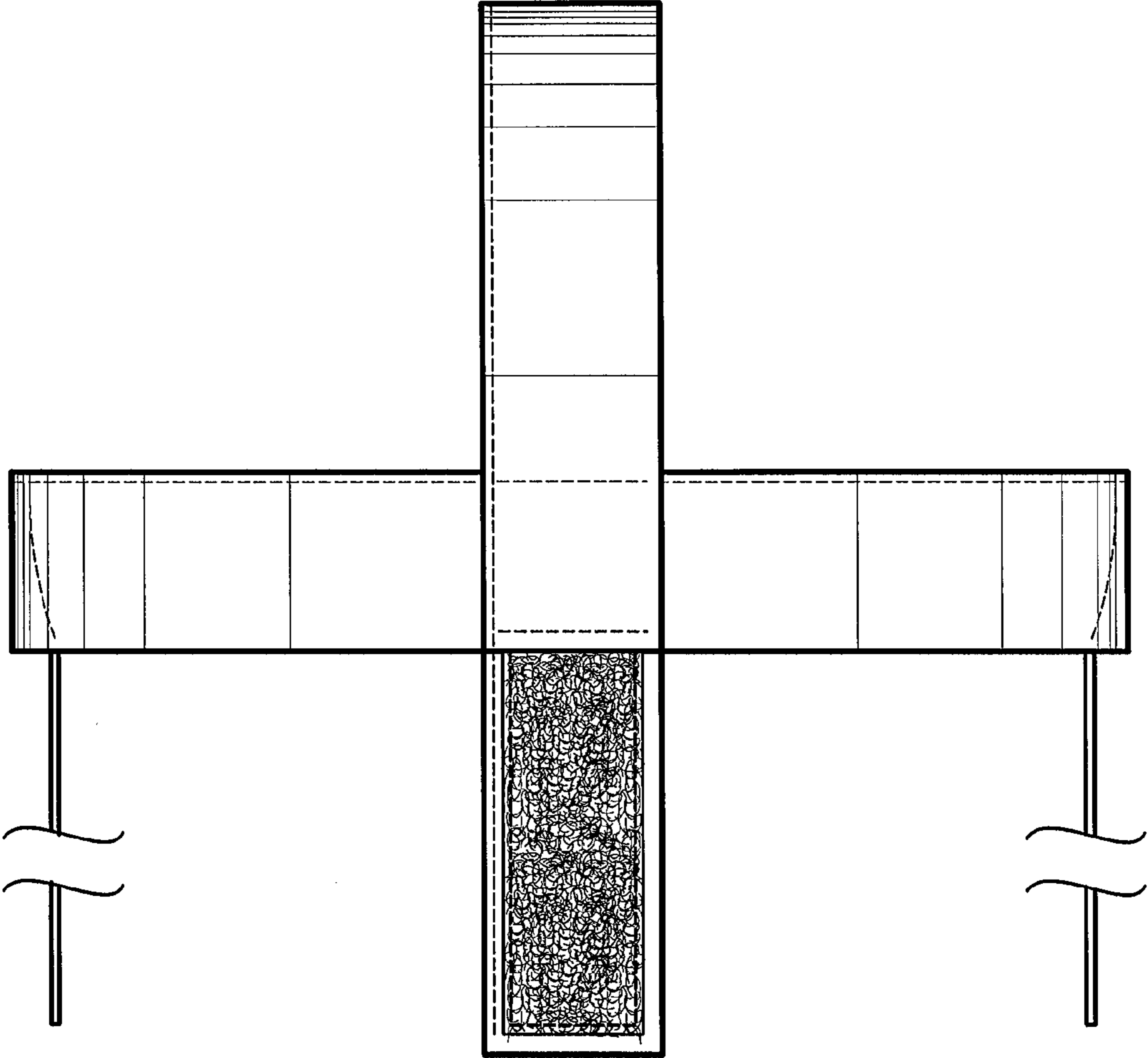
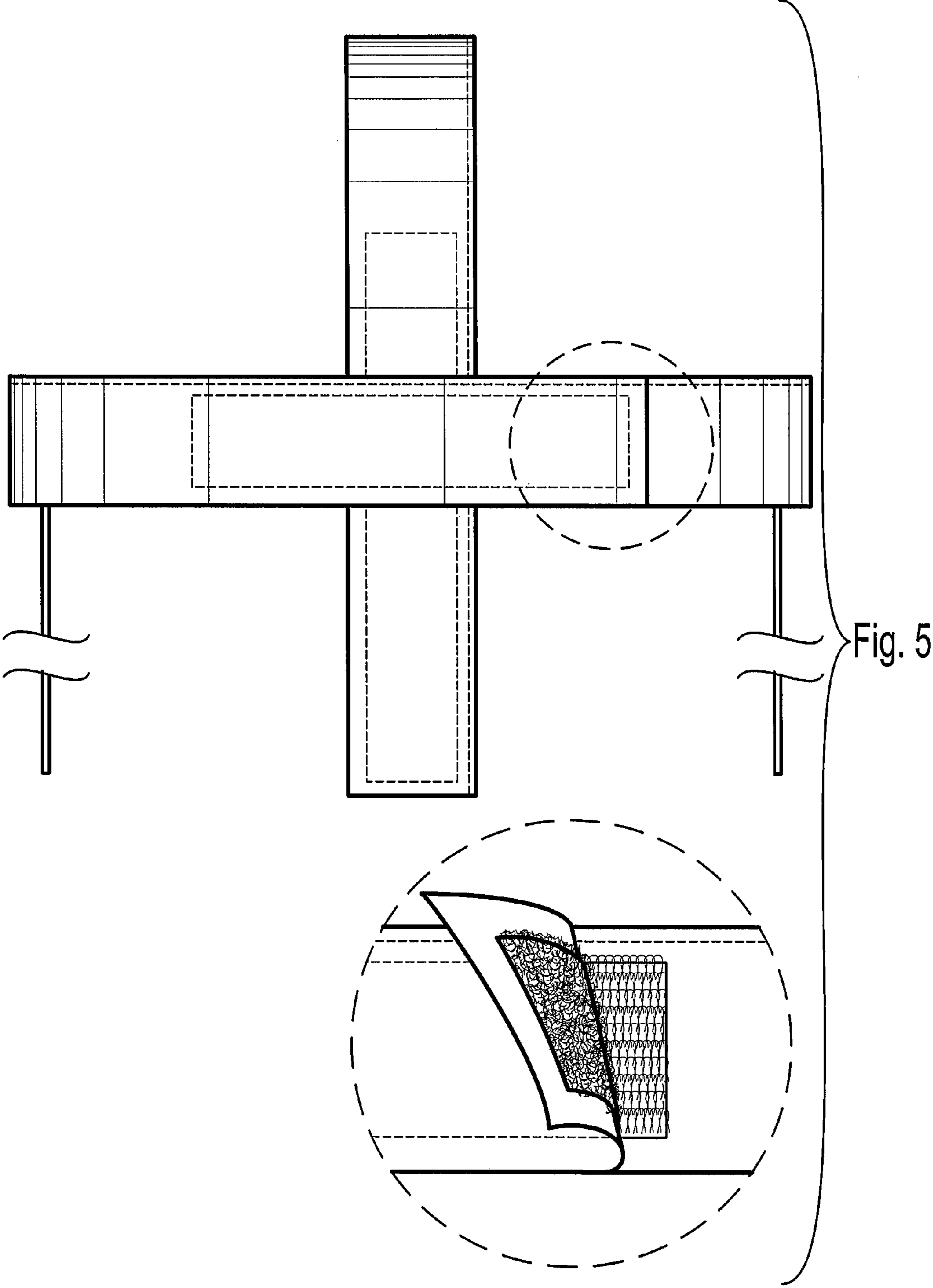


Fig. 4



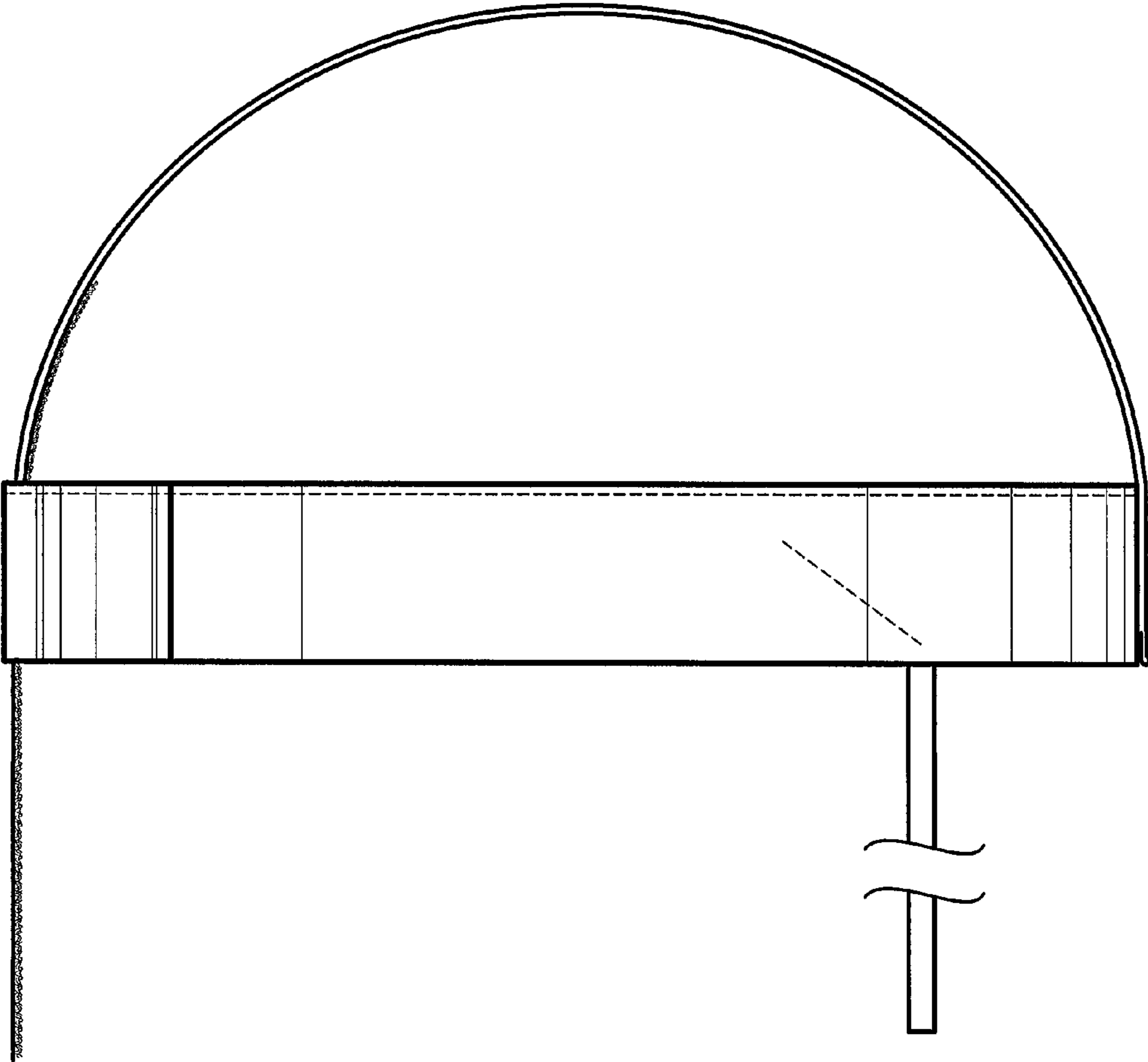


Fig. 6

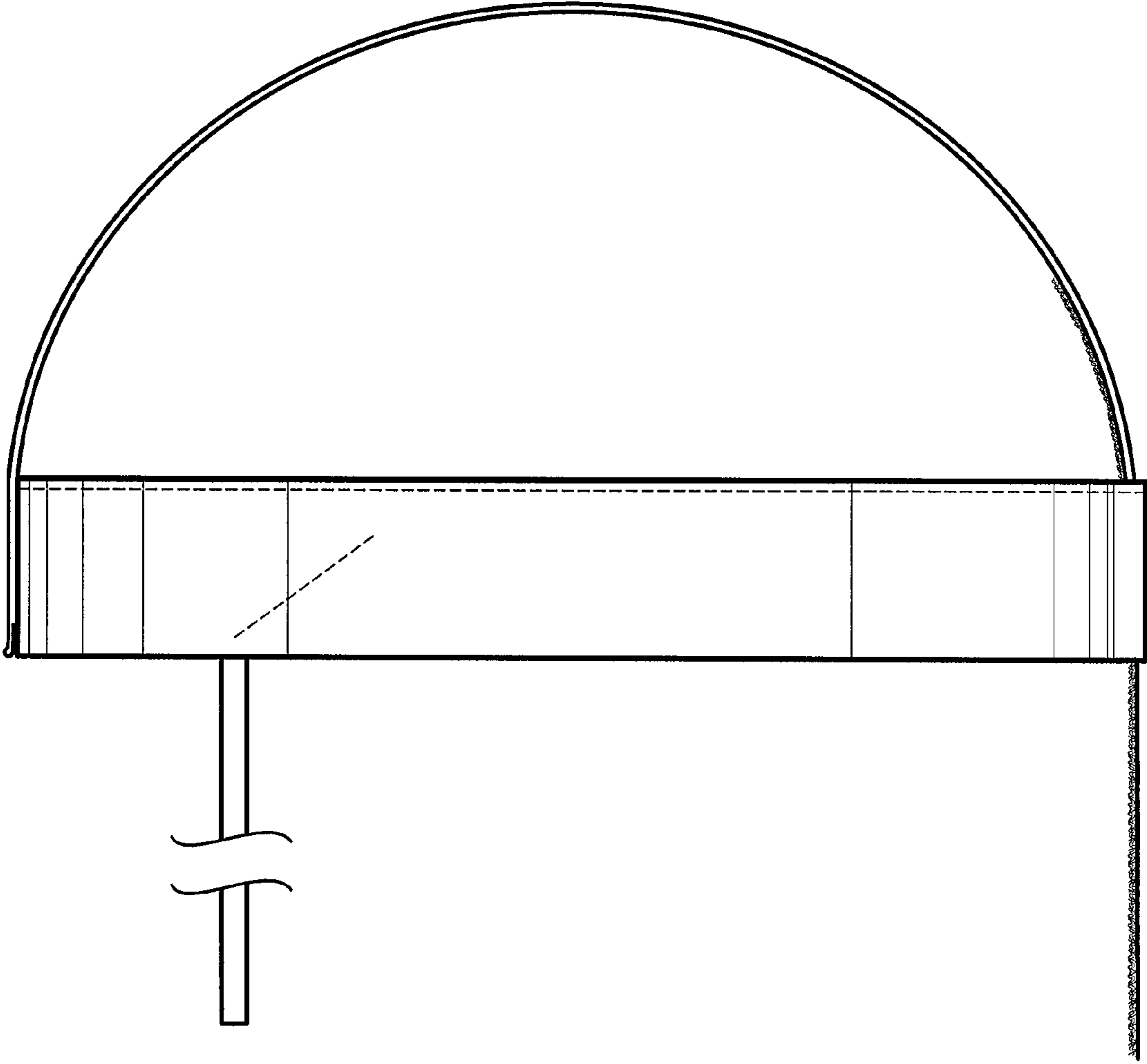


Fig. 7

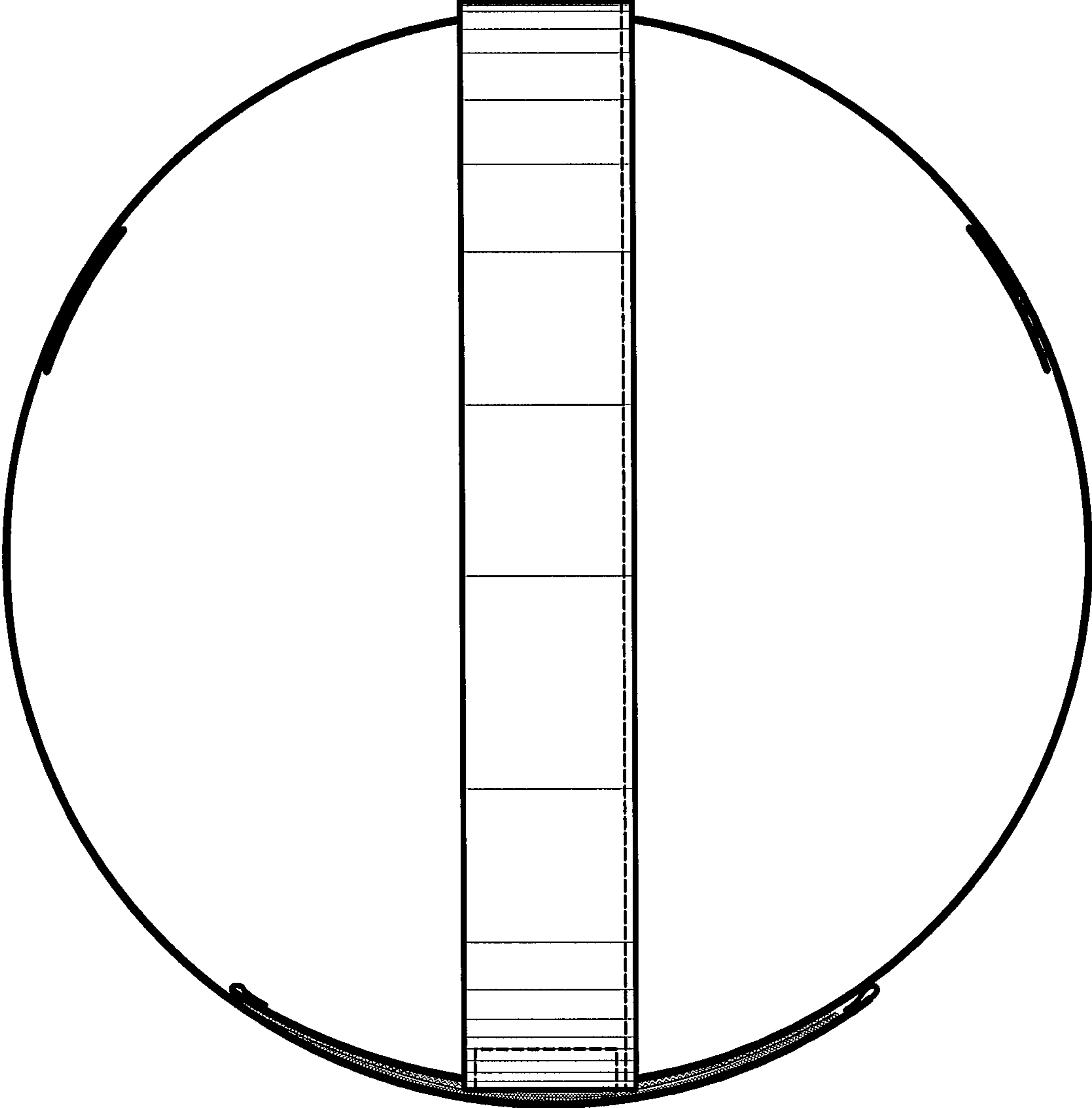


Fig. 8

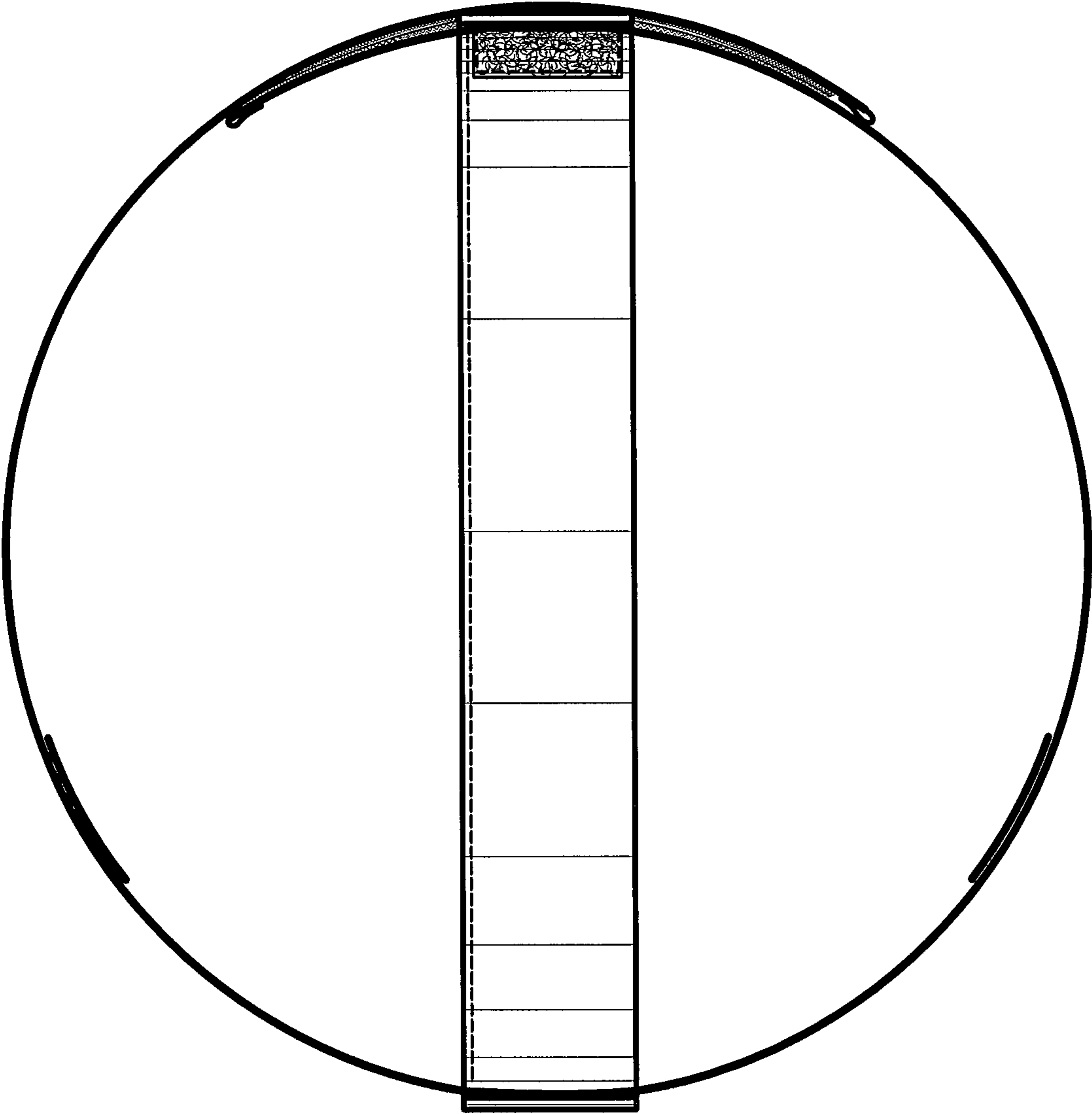


Fig. 9

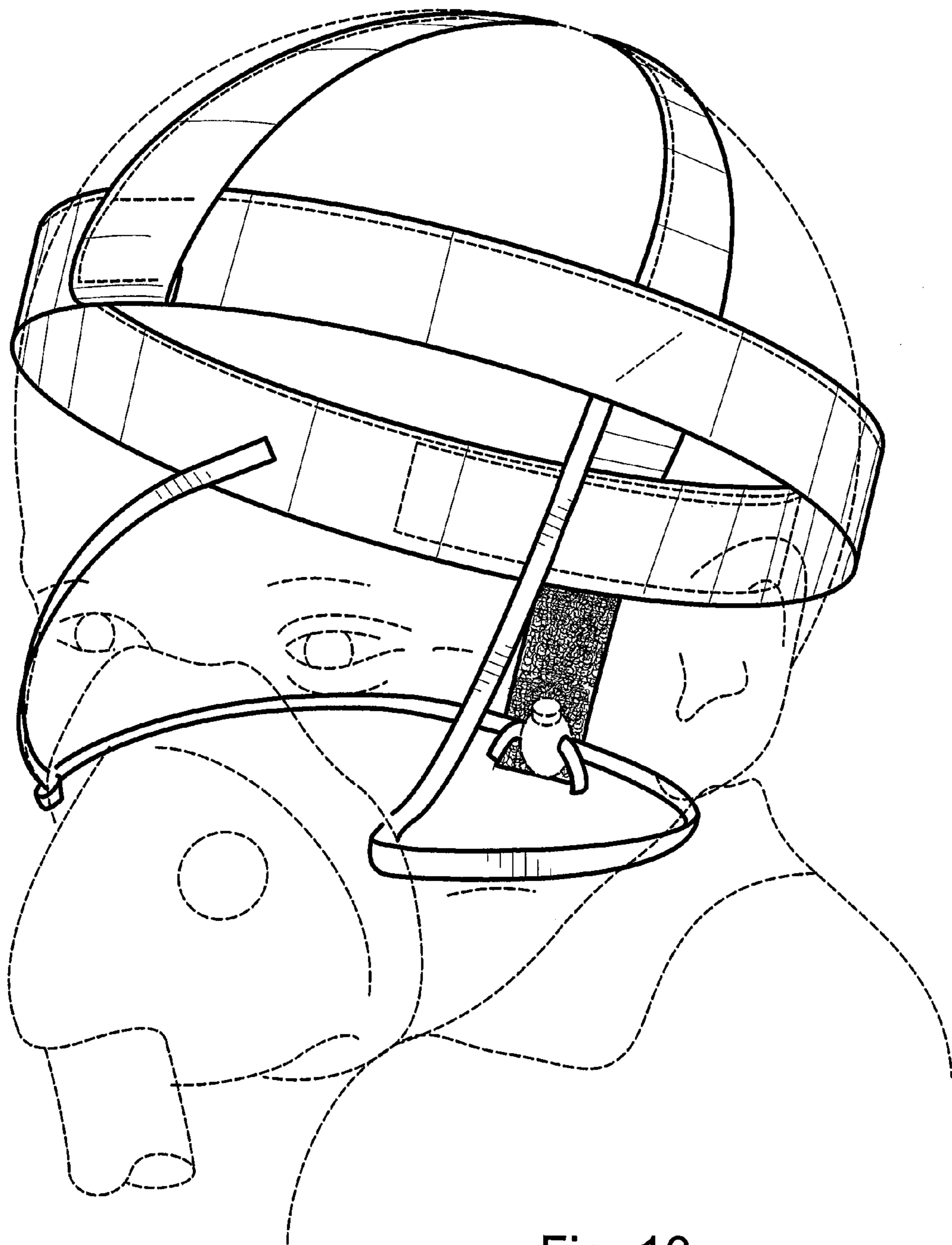


Fig. 10

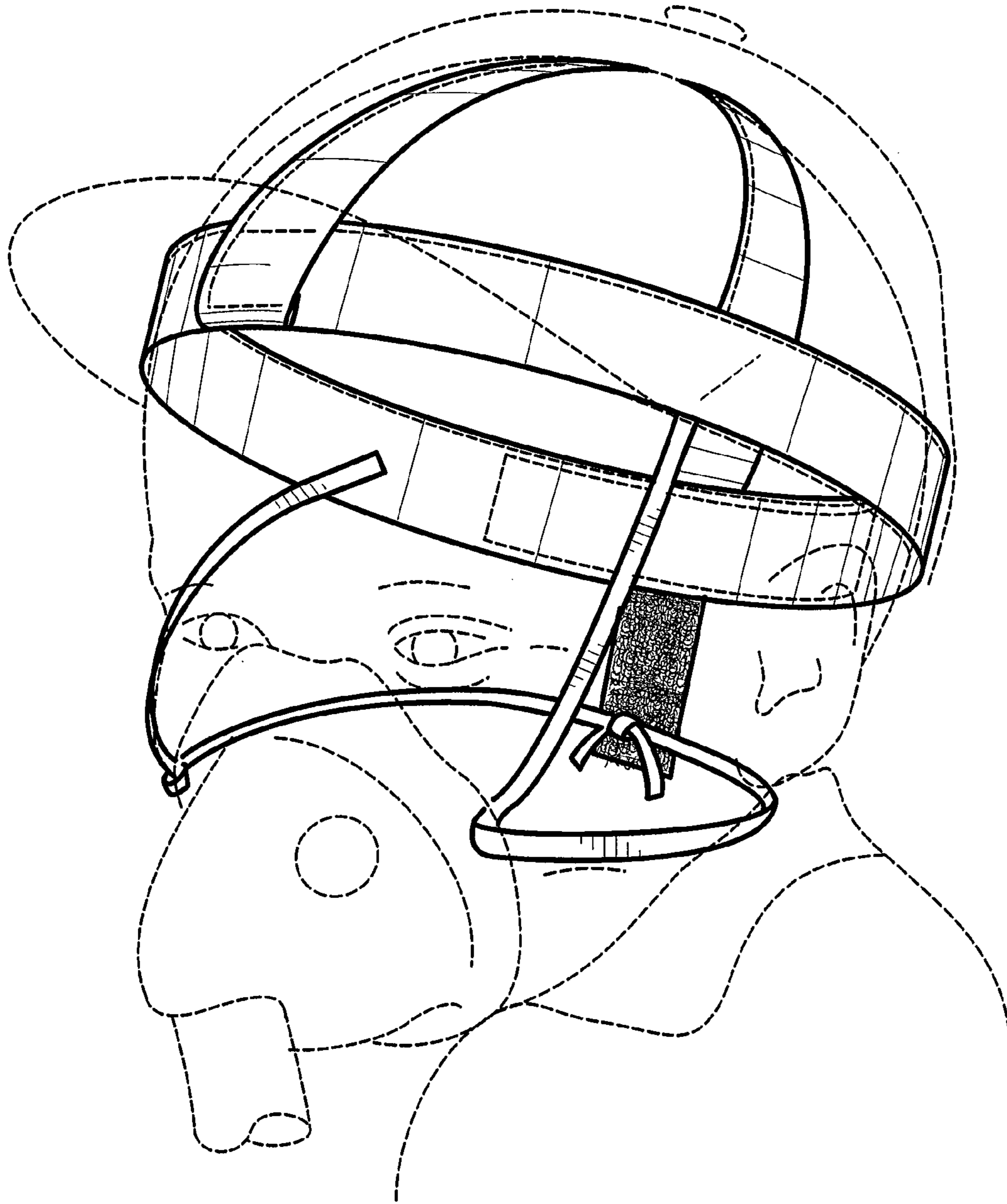


Fig. 11

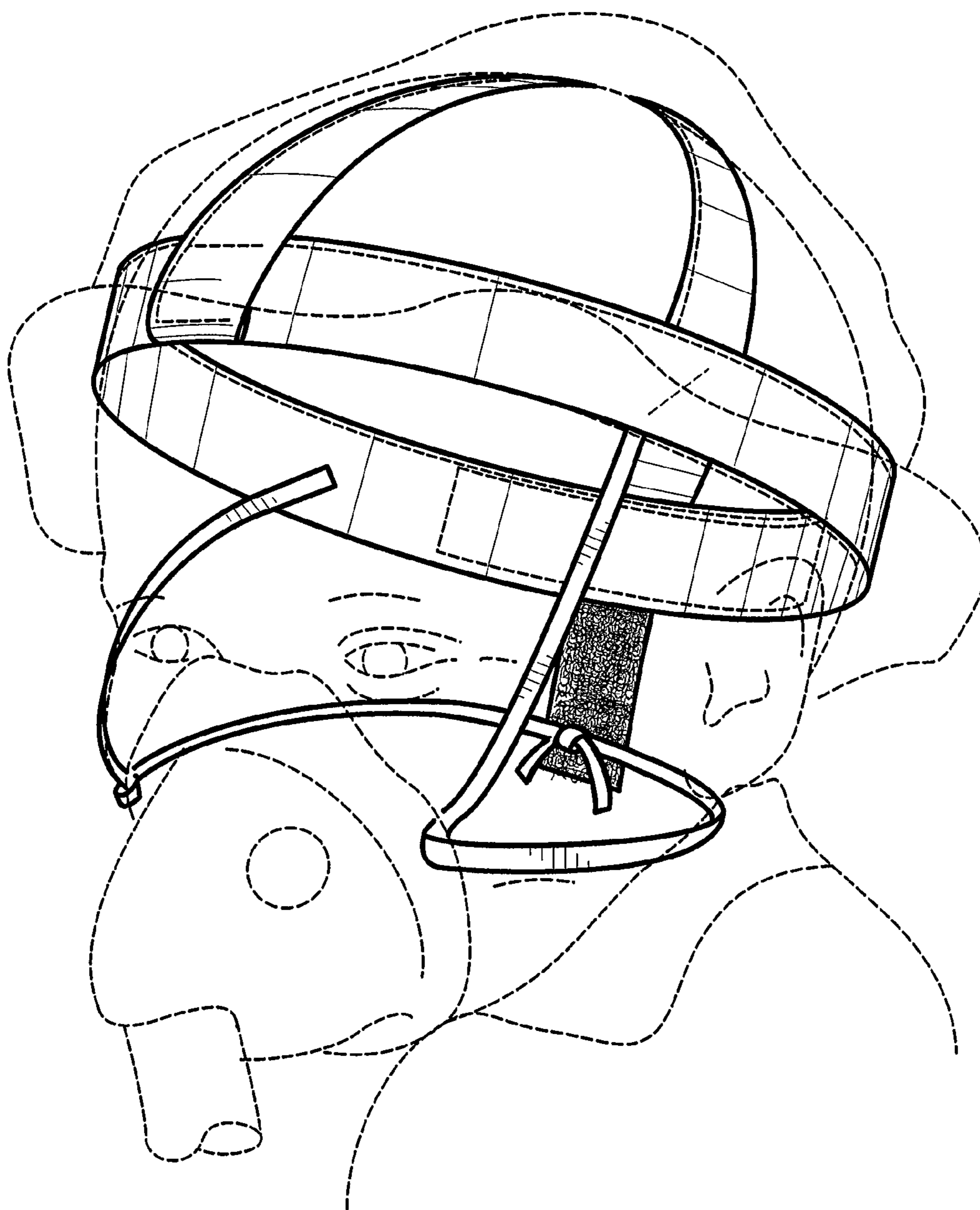


Fig. 12