



US00D685897S

(12) **United States Design Patent**
Drew

(10) **Patent No.:** **US D685,897 S**
(45) **Date of Patent:** **** Jul. 9, 2013**

(54) **AIR FILTER**

(75) Inventor: **Christopher J. Drew**, West Allis, WI
(US)

(73) Assignee: **Briggs & Stratton Corporation**,
Wauwatosa, WI (US)

(**) Term: **14 Years**

(21) Appl. No.: **29/380,423**

(22) Filed: **Dec. 3, 2010**

(51) **LOC (9) Cl.** **23-04**

(52) **U.S. Cl.**
USPC **D23/365**

(58) **Field of Classification Search**
USPC D15/1, 5; D23/365; 55/493, 490
See application file for complete search history.

(56) **References Cited**

U.S. PATENT DOCUMENTS

2,999,562	A *	9/1961	Lechtenberg	55/502
3,796,027	A *	3/1974	Gumtow	55/502
4,396,407	A *	8/1983	Reese	55/319
5,732,555	A *	3/1998	Gracyalny et al.	60/299
6,612,275	B2 *	9/2003	Immel et al.	123/90.31
D516,507	S *	3/2006	Nushart et al.	D13/112
7,185,640	B2 *	3/2007	Shears et al.	123/519
7,282,077	B2 *	10/2007	Honisch et al.	55/507
7,441,532	B2 *	10/2008	Disch et al.	123/198 E
D656,160	S *	3/2012	Strommen et al.	D15/5
8,251,030	B2 *	8/2012	Schneiker	123/90.38
2002/0088214	A1 *	7/2002	Sherwood	55/486
2007/0186894	A1 *	8/2007	Disch et al.	123/198 E
2008/0251055	A1 *	10/2008	Schmalz et al.	123/519
2009/0126658	A1 *	5/2009	Brunelli et al.	123/41.54

2009/0260596	A1 *	10/2009	Johnson	123/406.74
2009/0299614	A1 *	12/2009	Iwata et al.	701/113
2010/0263343	A1 *	10/2010	Horvat et al.	55/493

OTHER PUBLICATIONS

FRAM Product Reference Catalog, 2010, Product Styles, pp. 3-1 to 3-33.

* cited by examiner

Primary Examiner — John Windmuller

(74) *Attorney, Agent, or Firm* — Foley & Lardner LLP

(57) **CLAIM**

I claim the ornamental design for an air filter, as shown and described.

DESCRIPTION

FIG. 1 is a front perspective view from above of a first embodiment of the claimed design;

FIG. 2 is a top view of the claimed design of FIG. 1;

FIG. 3 is a bottom view of the claimed design of FIG. 1;

FIG. 4 is a front view of the claimed design of FIG. 1;

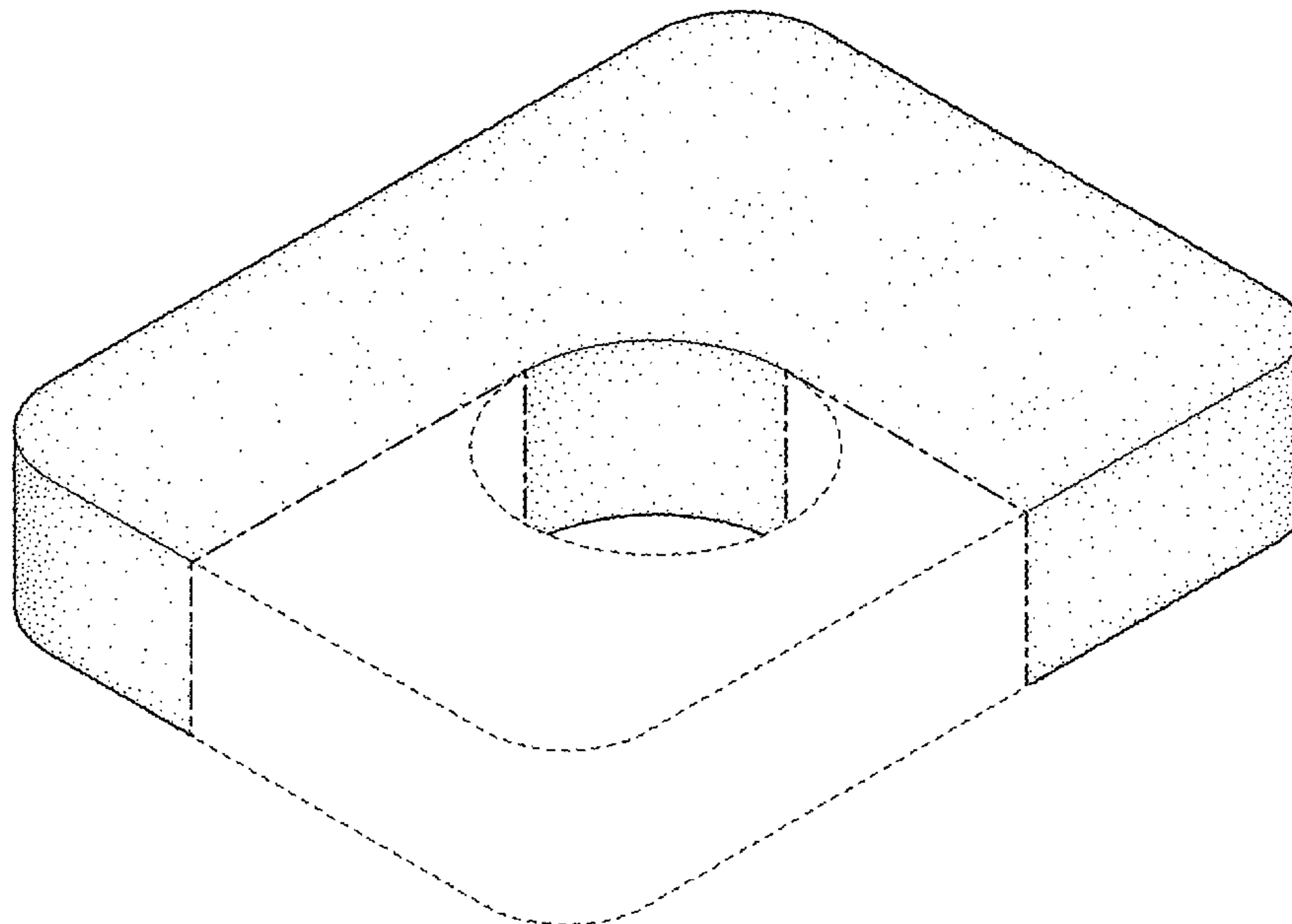
FIG. 5 is a rear view of the claimed design of FIG. 1;

FIG. 6 is a right side view of the claimed design of FIG. 1; and,

FIG. 7 is a left side view of the claimed design of FIG. 1.

The ornamental design that is claimed is shown in solid lines in the drawings. The broken lines in the drawings are for illustrative purposes only and form no part of the claimed design. The dot-dash lines in the drawings represent the boundaries between the claimed and unclaimed areas.

1 Claim, 5 Drawing Sheets



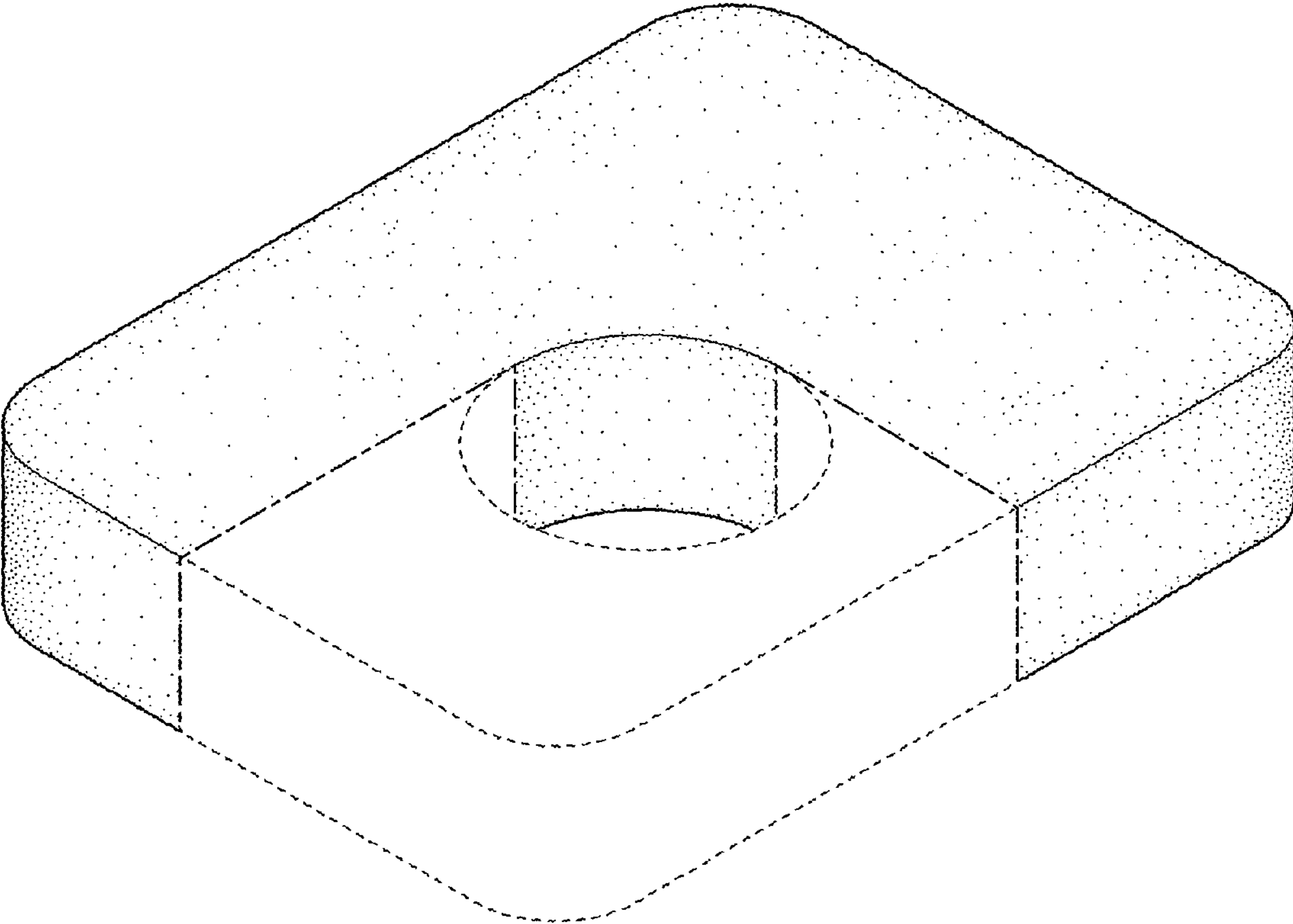


Fig. 1

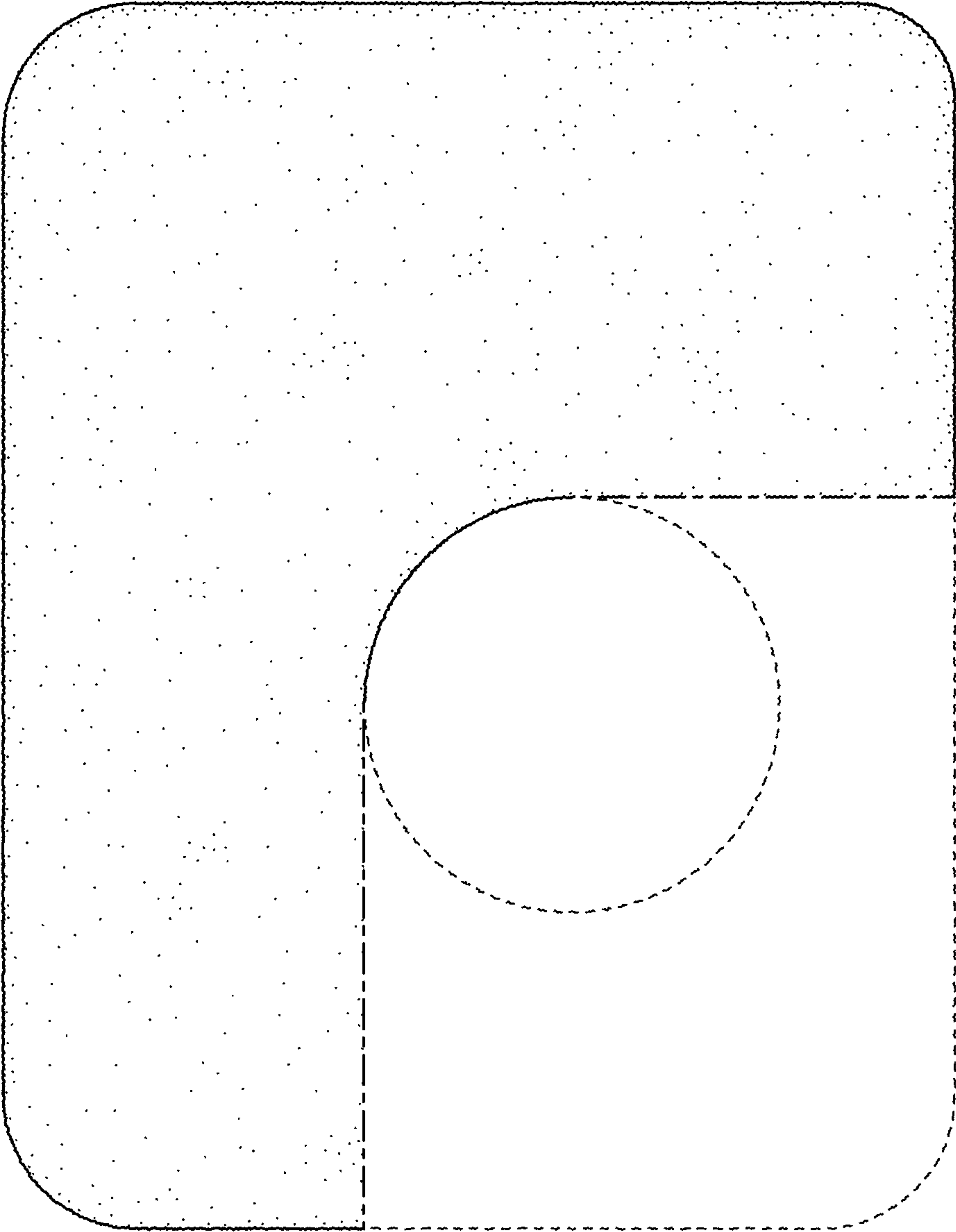


Fig. 2

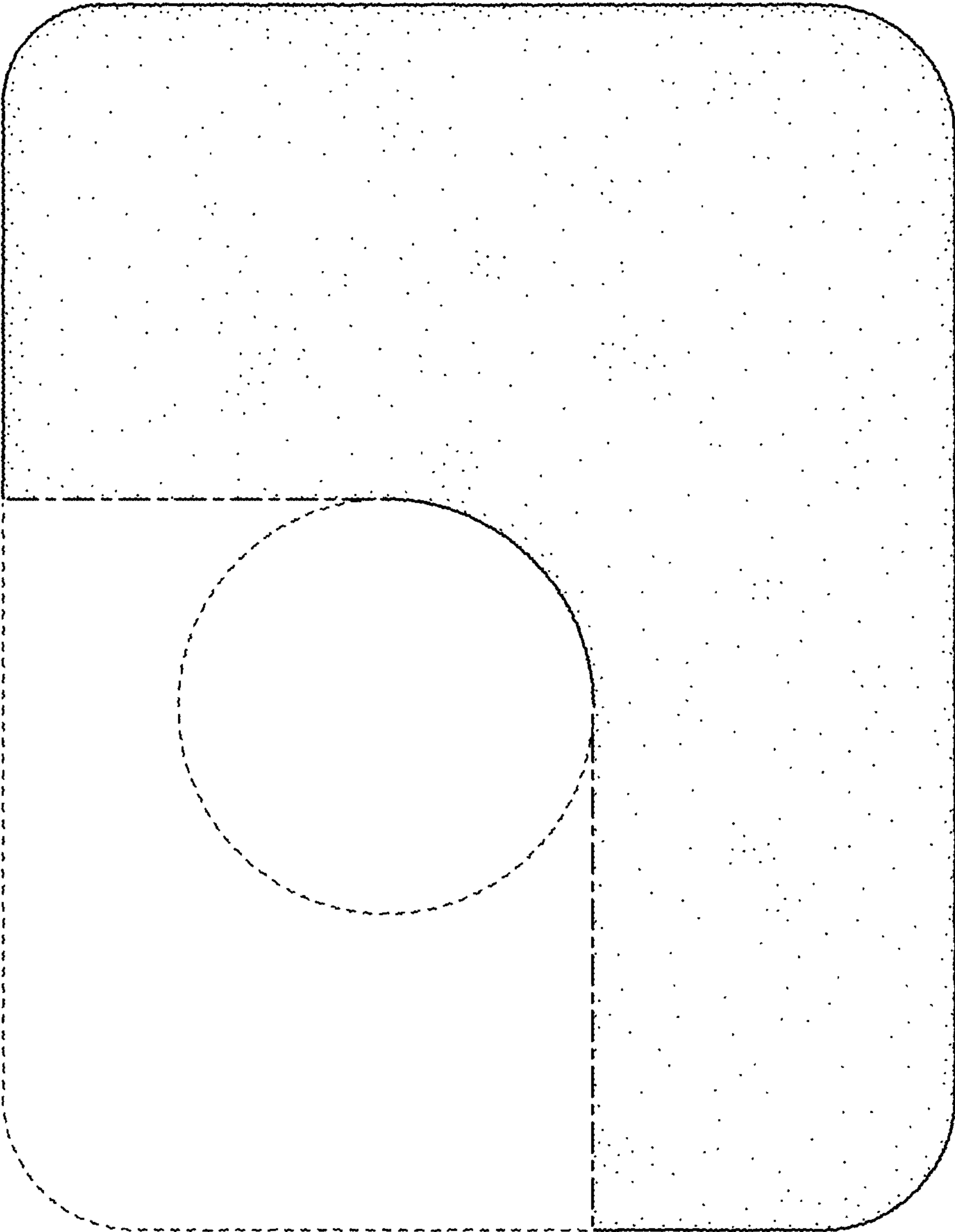


Fig. 3

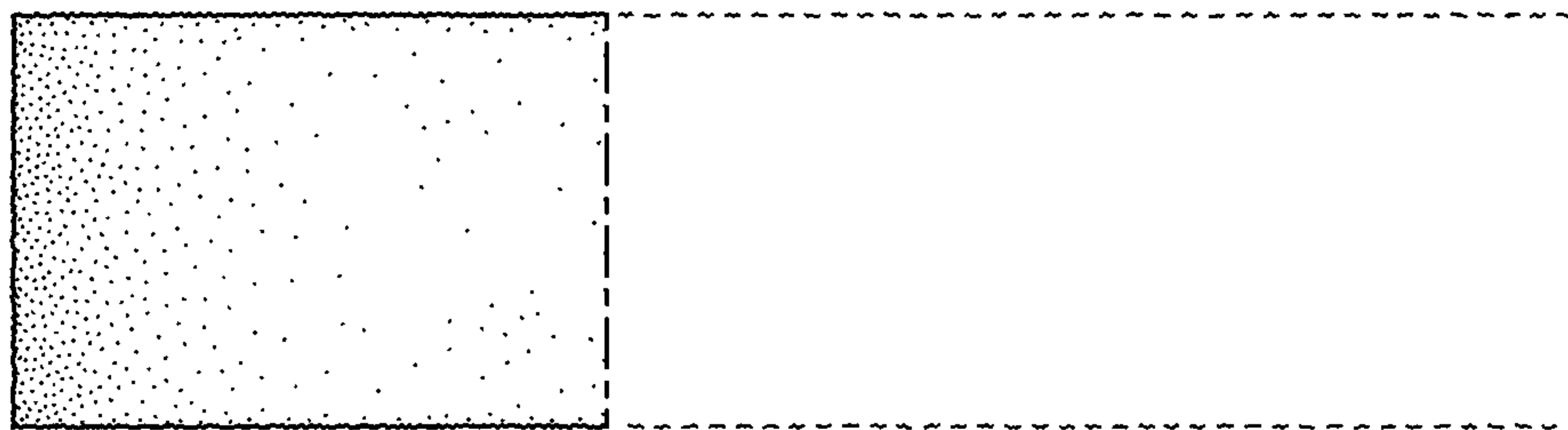


Fig. 4

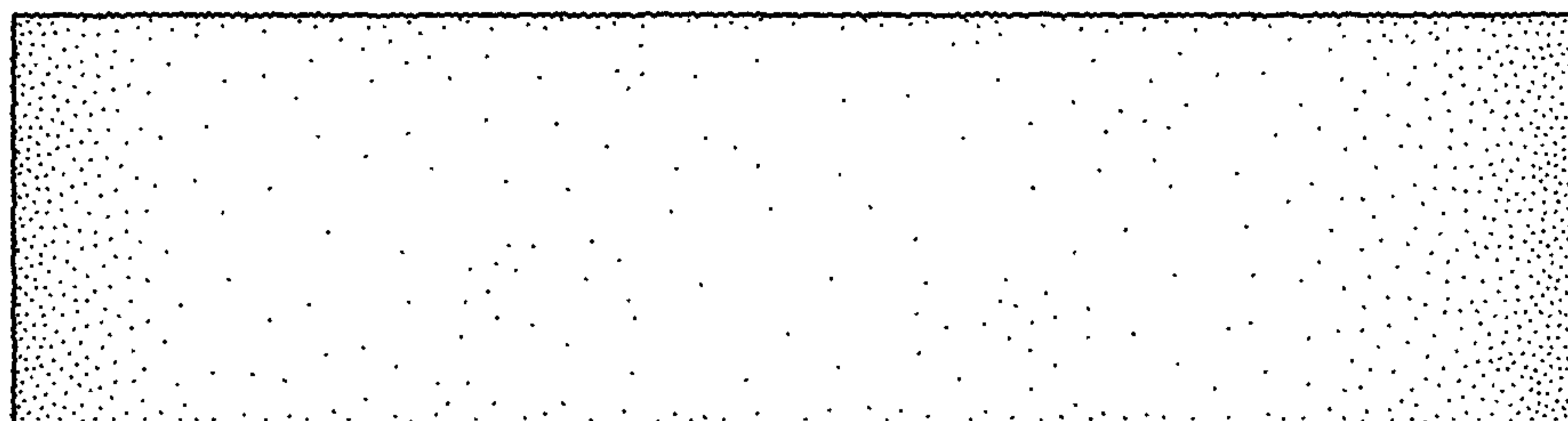


Fig. 5

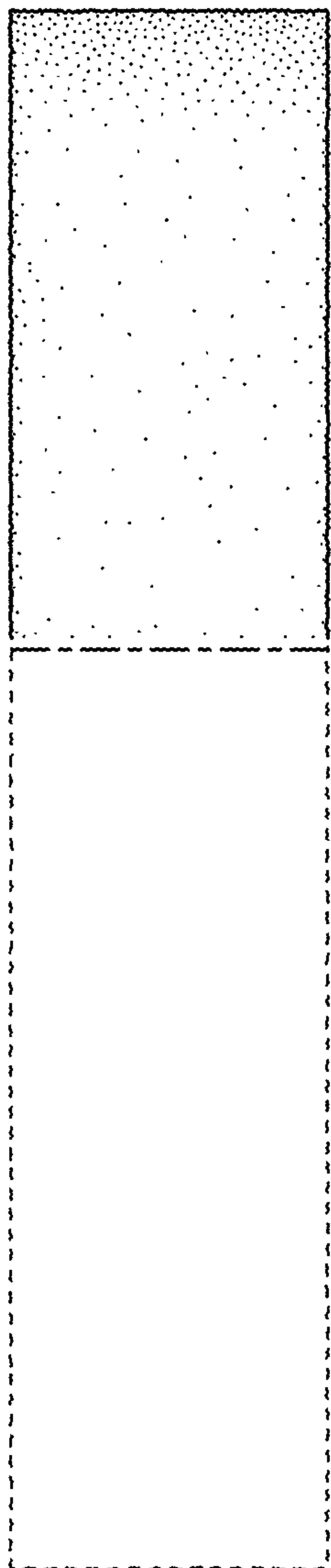


Fig. 6

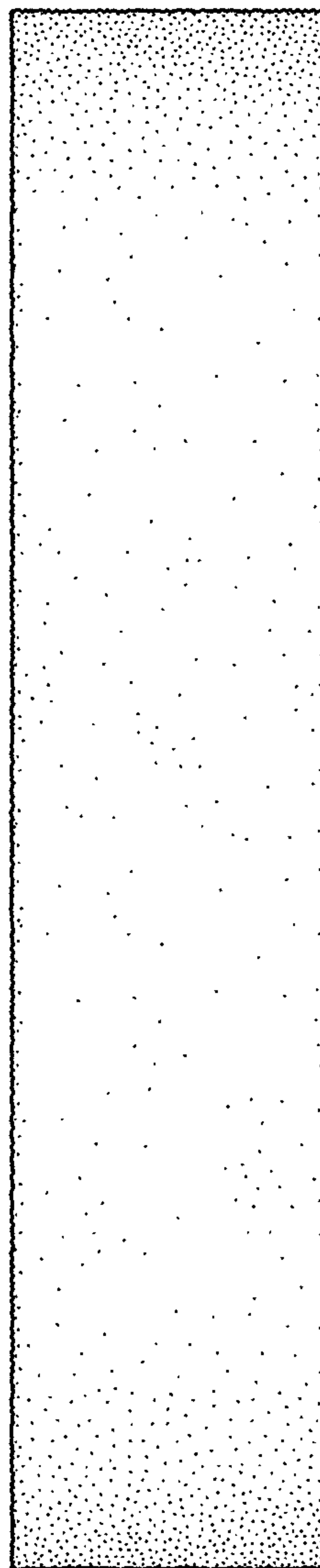


Fig. 7