

US00D685896S

(12) **United States Design Patent**
Niedermann et al.

(10) **Patent No.:** **US D685,896 S**

(45) **Date of Patent:** **** Jul. 9, 2013**

(54) **HUMIDIFIER**

(75) Inventors: **Dirk Niedermann**, Bloomington, IL
(US); **Kin Wan Li**, KLN (CN)

(73) Assignee: **Wachsmuth & Krogmann**, Bensenville,
IL (US)

(**) Term: **14 Years**

(21) Appl. No.: **29/415,538**

(22) Filed: **Mar. 12, 2012**

(51) **LOC (9) Cl.** **23-04**

(52) **U.S. Cl.**
USPC **D23/356**

(58) **Field of Classification Search**
USPC D23/355-366, 352, 369, 332, 333,
D23/335, 336, 342, 351; 422/120, 122; 55/356,
55/473, 504; 96/97; 261/DIG. 17, DIG. 65,
261/DIG. 88, DIG. 31
See application file for complete search history.

(56) **References Cited**

U.S. PATENT DOCUMENTS

D309,009	S	*	7/1990	Herritz	D23/362
D355,248	S	*	2/1995	Wang et al.	D23/360
D364,676	S	*	11/1995	Chiu et al.	D23/356
D383,178	S	*	9/1997	Breuil	D23/332
D390,938	S	*	2/1998	Jane et al.	D23/356
D466,598	S	*	12/2002	Shih-Ying	D23/335
6,511,531	B1	*	1/2003	Cartellone	261/DIG. 88
D529,159	S	*	9/2006	Howansky et al.	D23/360
7,108,731	B2	*	9/2006	Park et al.	55/356

D584,391	S	*	1/2009	Howlett et al.	D23/366
D585,537	S	*	1/2009	Weggelaar	D23/366
D591,411	S	*	4/2009	Weisbeck	D23/362
D621,495	S	*	8/2010	Li	D23/366

* cited by examiner

Primary Examiner — David Muller

(74) *Attorney, Agent, or Firm* — Wood, Phillips, Katz, Clark
& Mortimer

(57) **CLAIM**

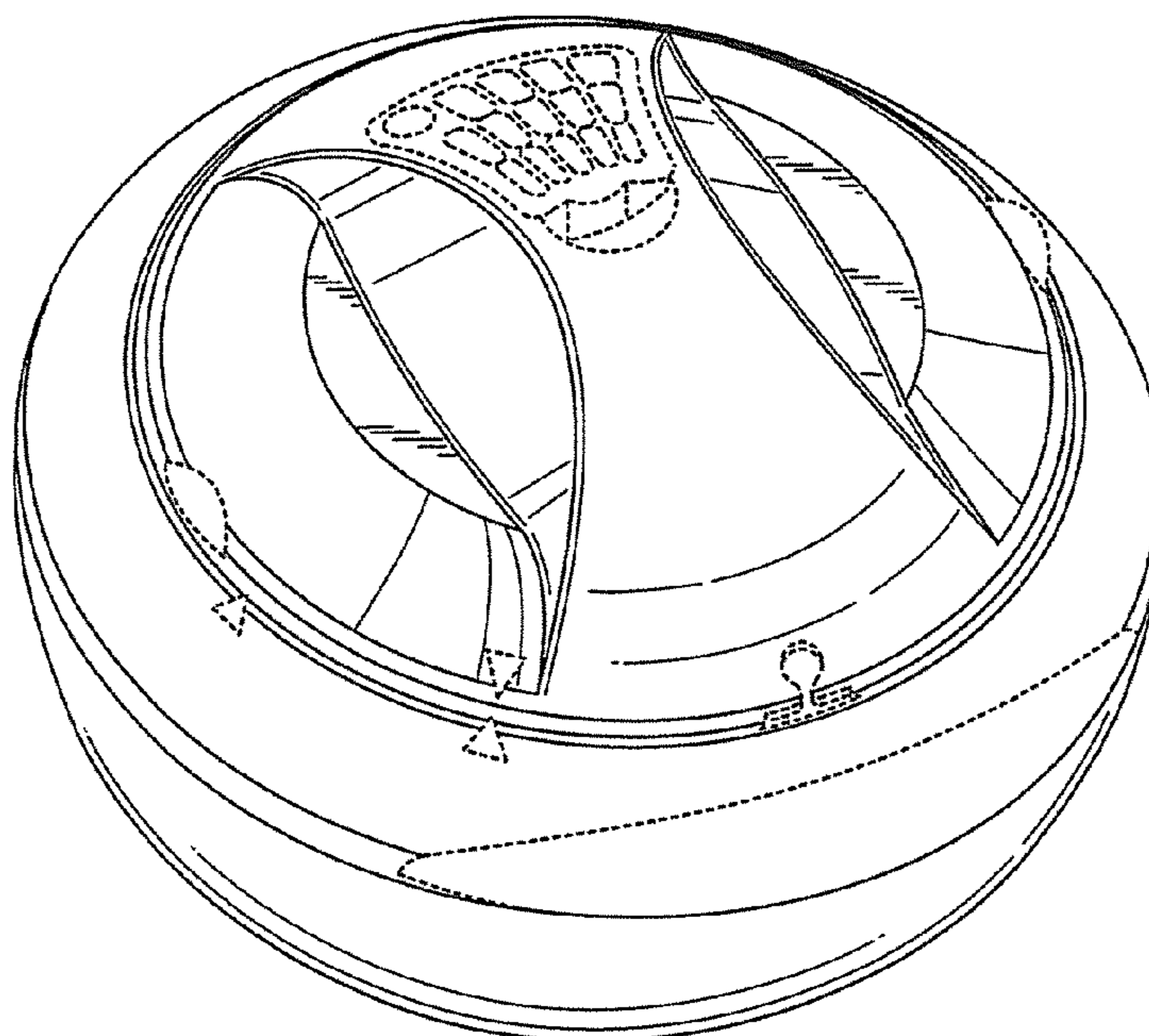
The ornamental design for a humidifier, as shown and described.

DESCRIPTION

FIG. 1 is a rear top, and right side perspective view of a humidifier showing my new design;
FIG. 2 is a front, left, and left side perspective view thereof;
FIG. 3 is a front elevation view thereof;
FIG. 4 is a rear elevation view thereof;
FIG. 5 is a right side elevation view thereof;
FIG. 6 is a left side elevation view thereof;
FIG. 7 is a top view thereof; and,
FIG. 8 is a bottom view thereof.

The dash dot lines immediately adjacent to the claimed areas in FIG. 8 represent the boundaries of the claimed design. The dashed lines in the figures illustrate the portions of the design that form no part of the claimed design. None of the broken lines form any part of the claimed design.

1 Claim, 4 Drawing Sheets



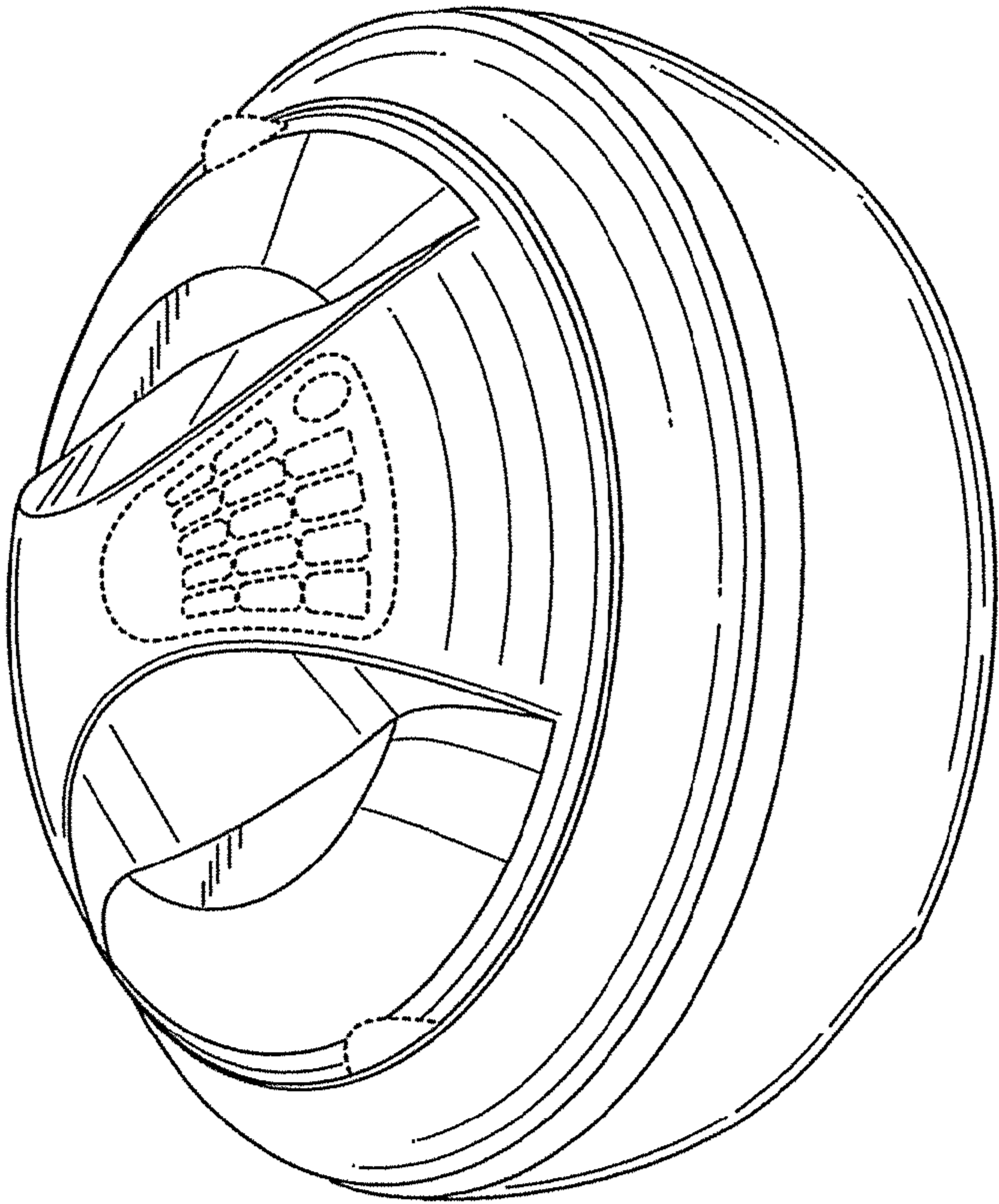


Fig. 2

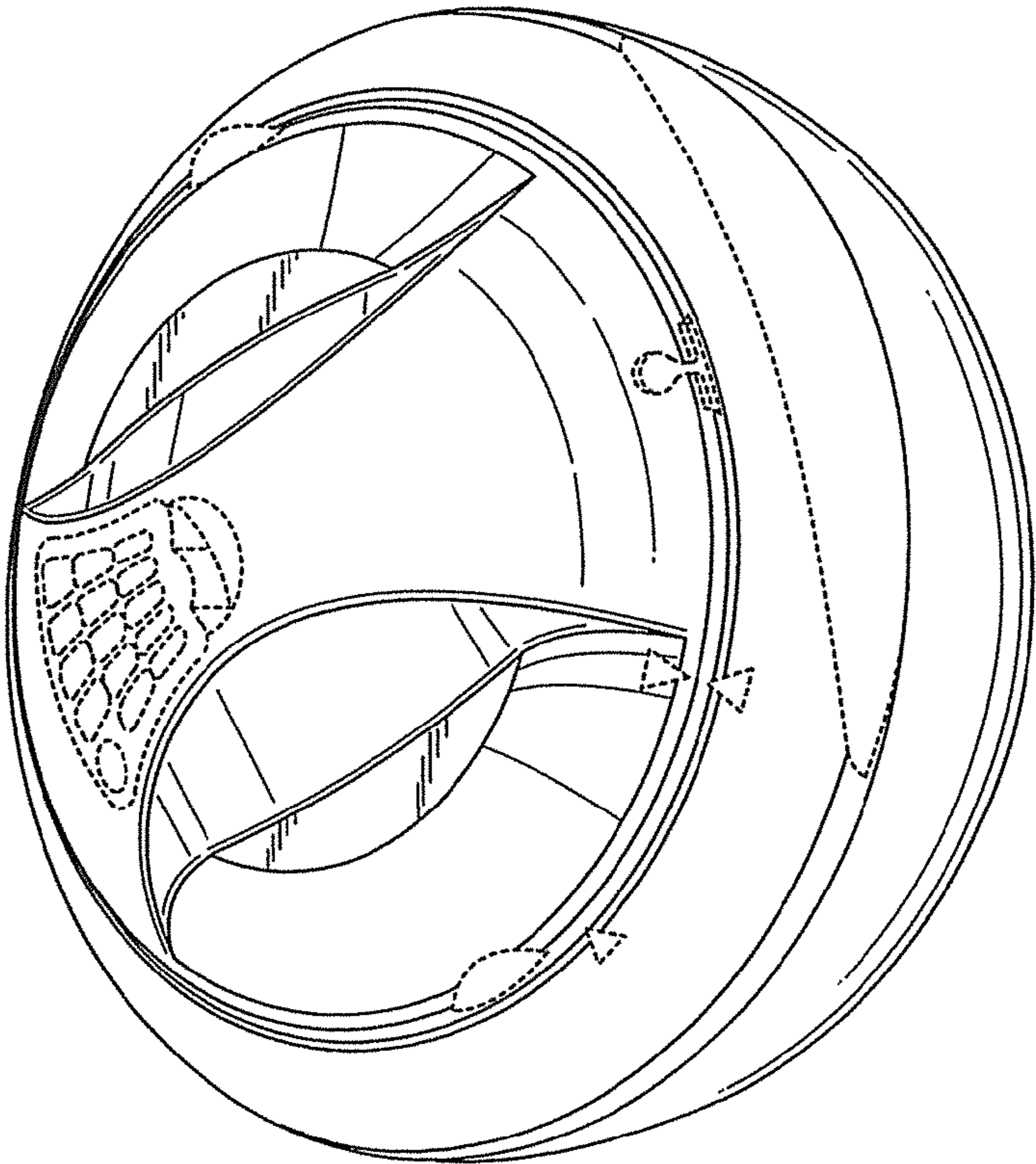


Fig. 1

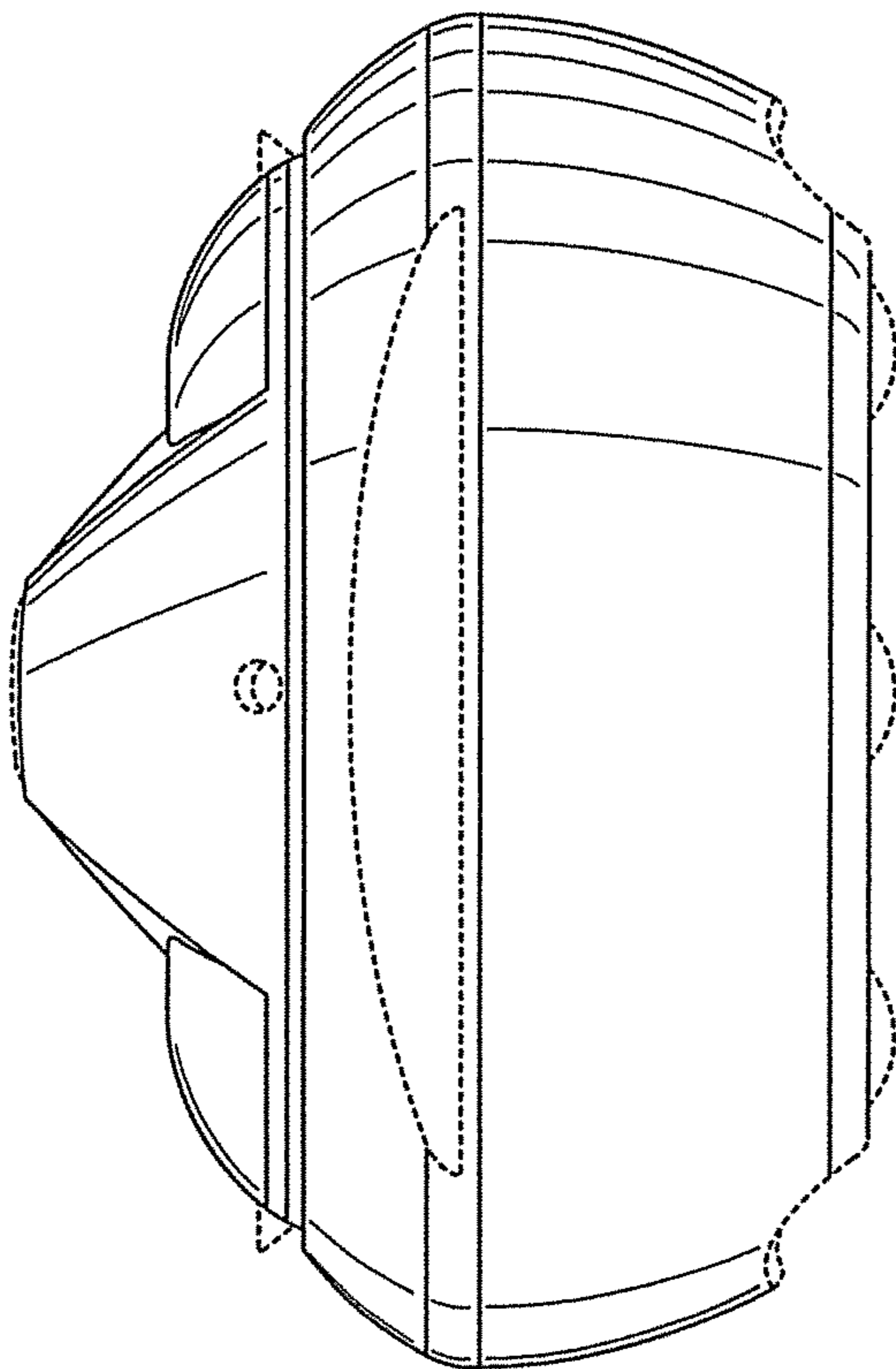


Fig. 3

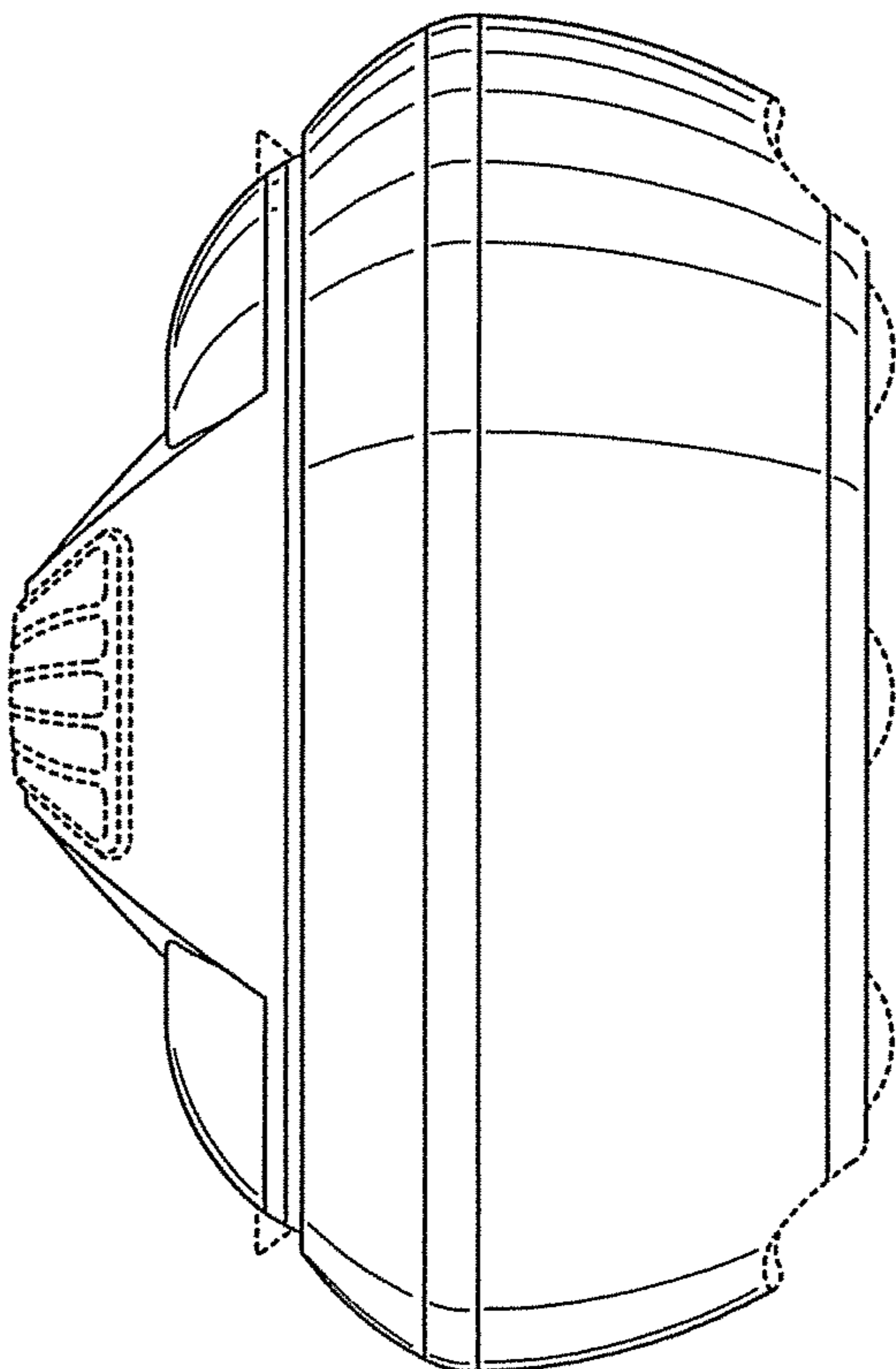


Fig. 4

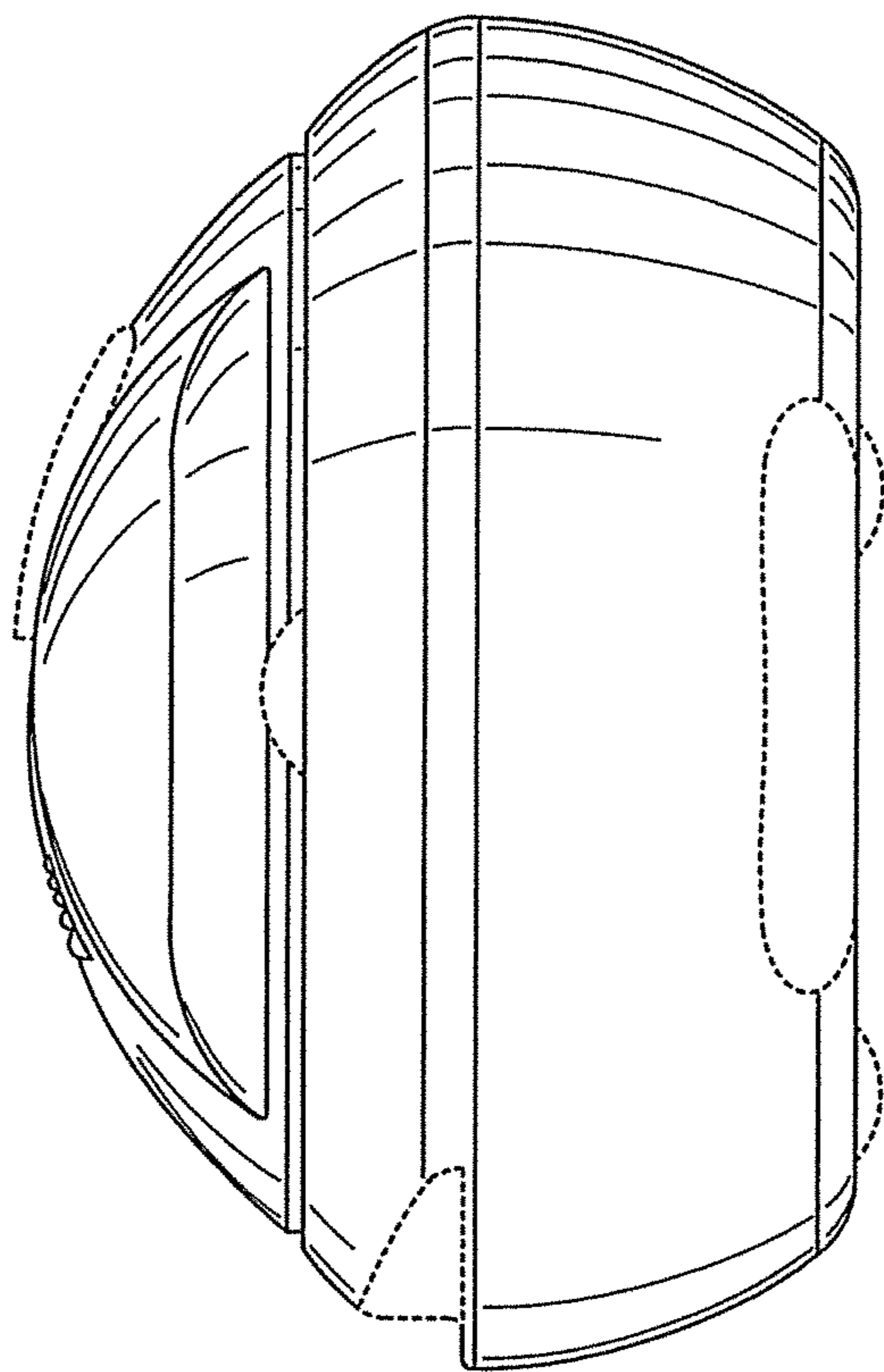


Fig. 6

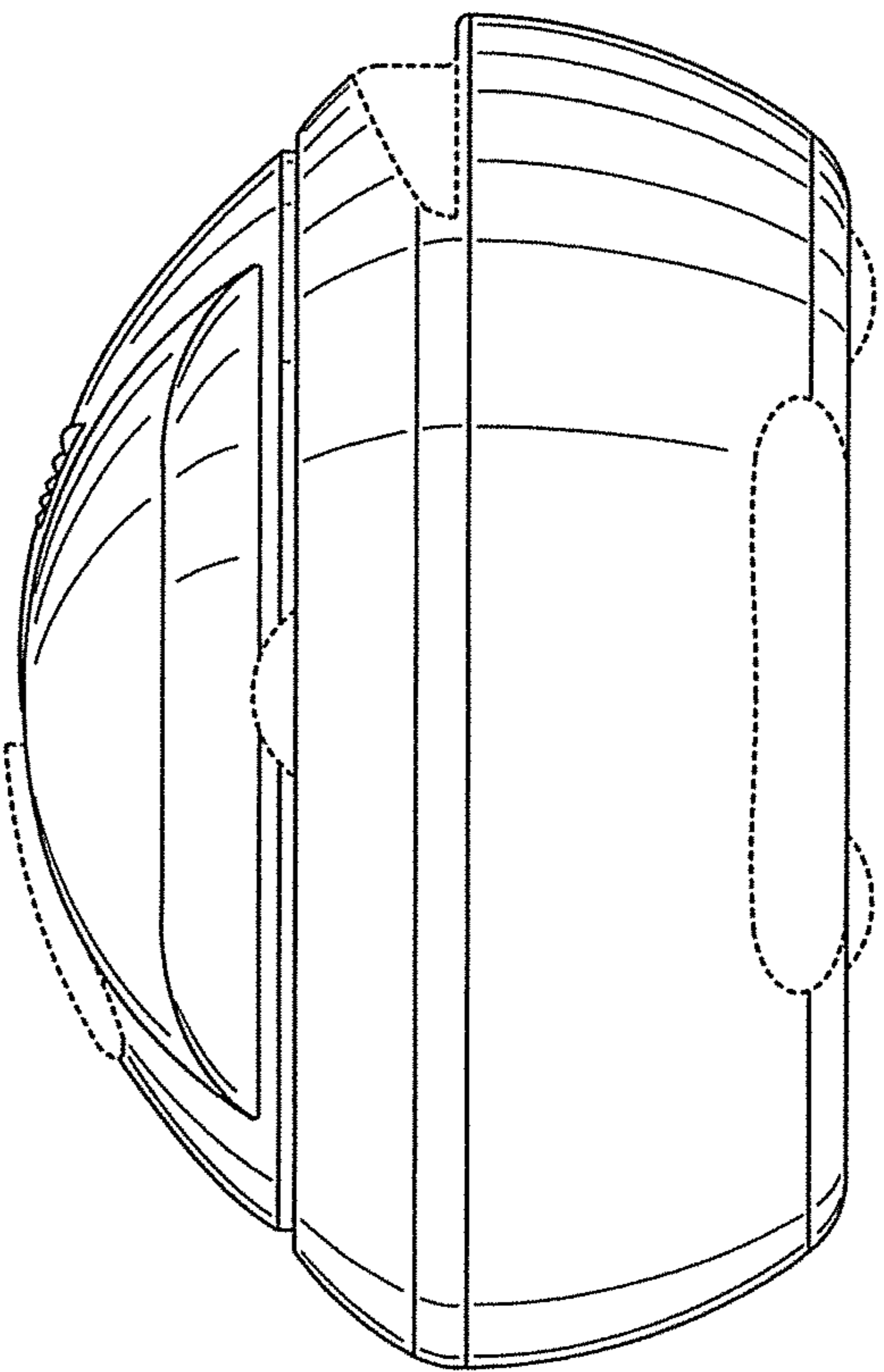


Fig. 5

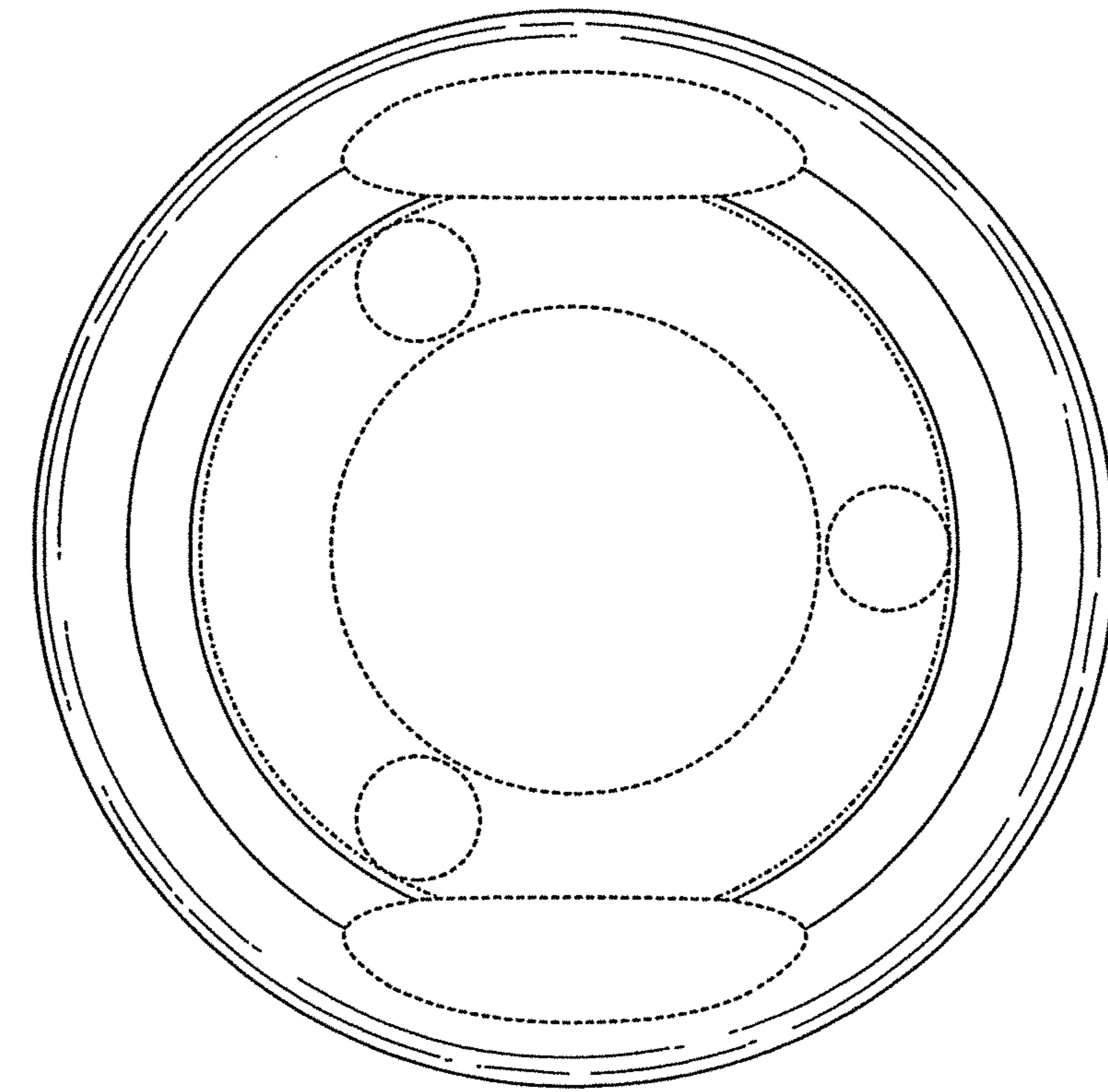


Fig. 7

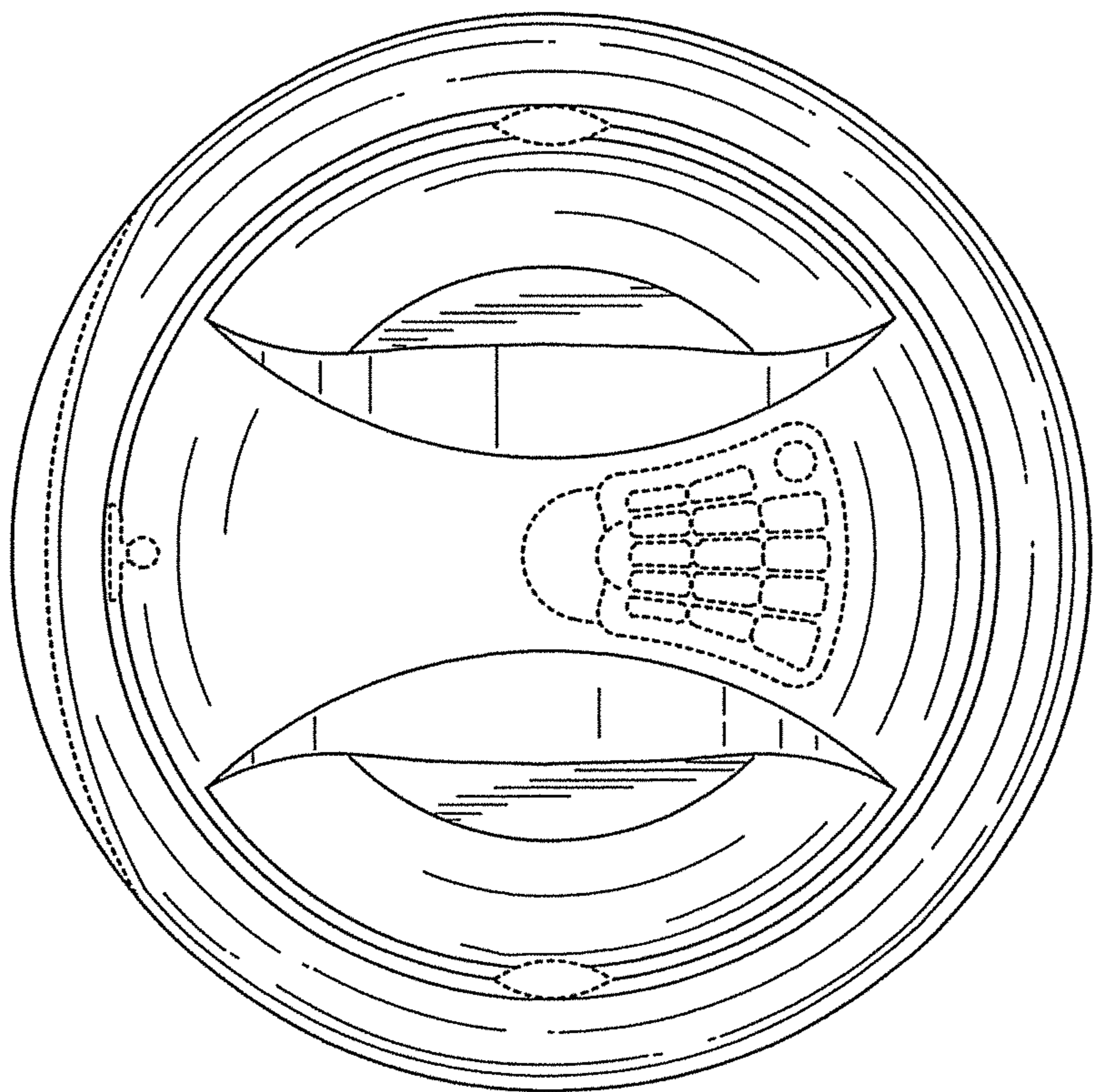


Fig. 8