



US00D685893S

(12) **United States Design Patent**
Bennett

(10) **Patent No.:** **US D685,893 S**
(45) **Date of Patent:** **** Jul. 9, 2013**

(54) **BACKPACKER'S TOILET**

(76) Inventor: **William T. Bennett**, Larkspur, CO (US)

(**) Term: **14 Years**

(21) Appl. No.: **29/418,187**

(22) Filed: **Apr. 12, 2012**

(51) **LOC (9) Cl.** **23-02**

(52) **U.S. Cl.**
USPC **D23/299; D23/311**

(58) **Field of Classification Search**
USPC D23/299, 303, 309, 311; 4/460, 901,
4/243.3, 245.1, 661; 5/122, 604; D21/823
See application file for complete search history.

(56) **References Cited**

U.S. PATENT DOCUMENTS

2,774,079	A *	12/1956	Flatley	5/84.1
3,122,397	A *	2/1964	Mintz	4/484
5,307,526	A *	5/1994	Appleby	4/460
5,971,480	A *	10/1999	Maschke	5/122
6,142,567	A *	11/2000	Bentley	5/120
7,260,855	B2 *	8/2007	Aycock	4/484
D625,795	S *	10/2010	Sexton	D23/311

* cited by examiner

Primary Examiner — Robert Delehanty

(74) *Attorney, Agent, or Firm* — QuickPatents; Kevin Prince

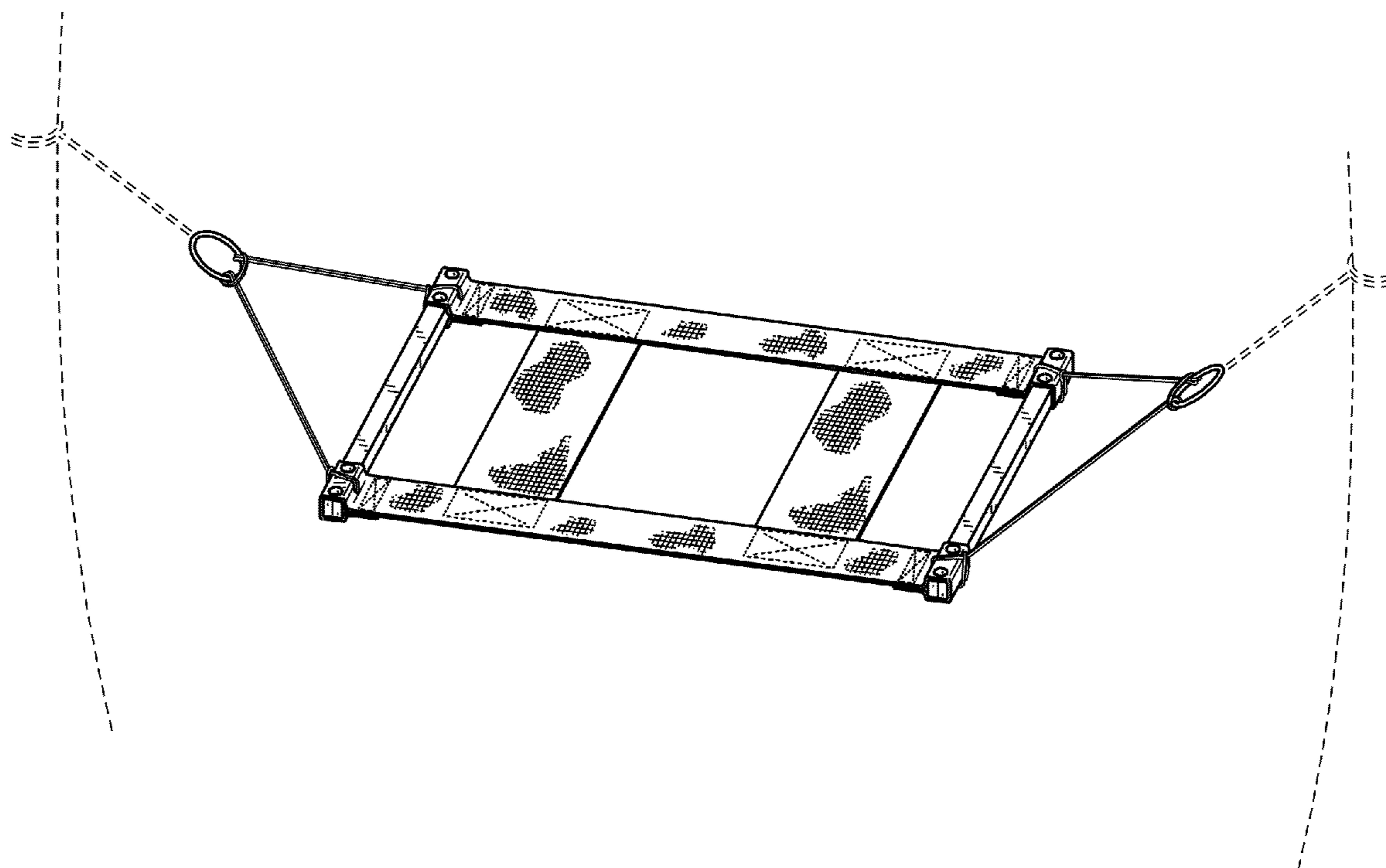
(57) **CLAIM**

I claim the ornamental design for a backpacker's toilet, as shown and described.

DESCRIPTION

FIG. 1 is a perspective view of a backpacker's toilet, showing my new design;
FIG. 2 is a top plan view thereof;
FIG. 3 is a front elevational view thereof, the rear elevational view being a mirror image thereof;
FIG. 4 is a bottom plan view thereof; and,
FIG. 5 is a left-side elevational view thereof, the right-side elevational view being a mirror image thereof.
The broken lines showing two support trees and support lines in FIG. 1 depict environmental matter and form no part of the claimed design.
The remaining broken lines represent stitching, and are part of the claimed design.

1 Claim, 3 Drawing Sheets



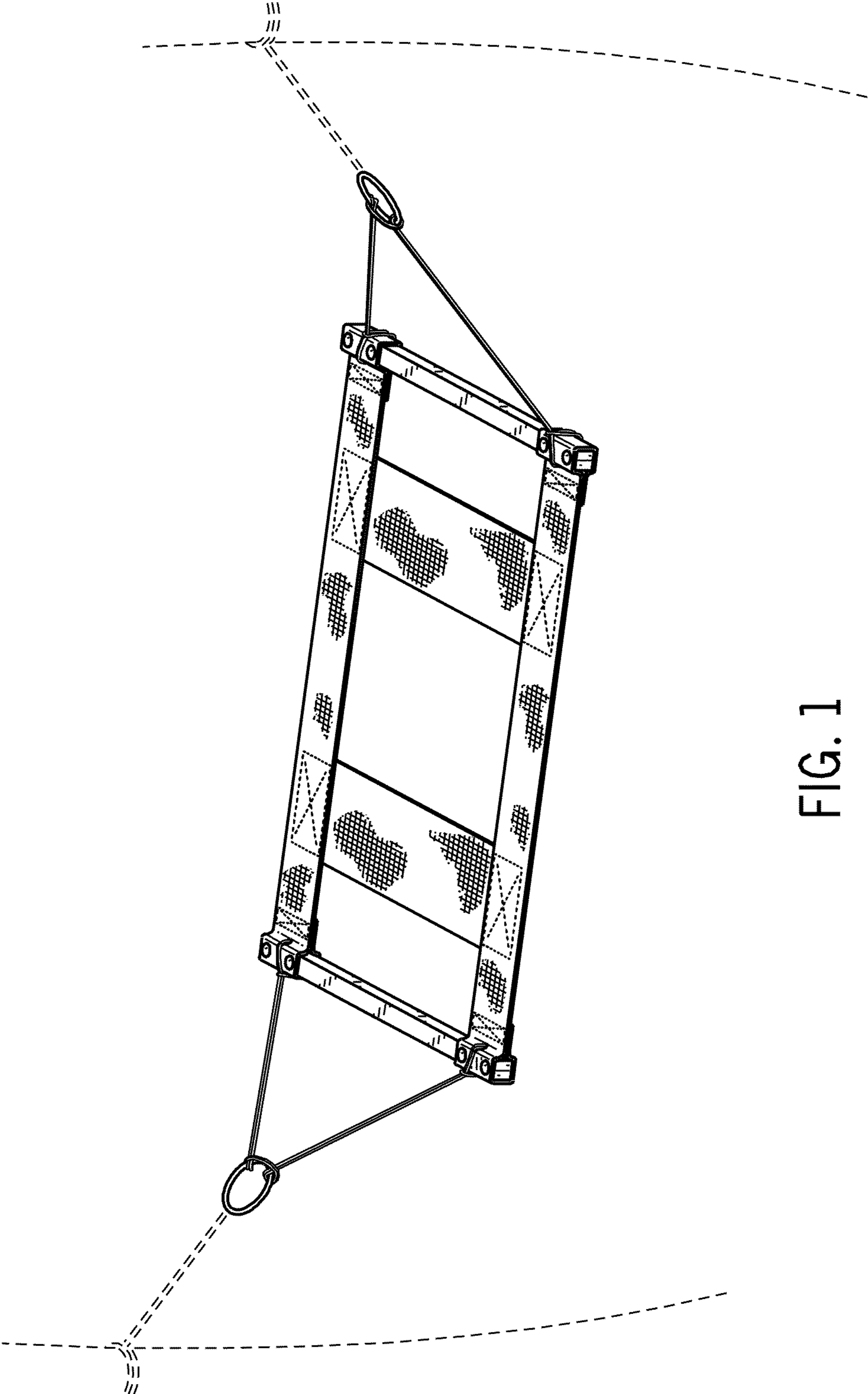


FIG. 1

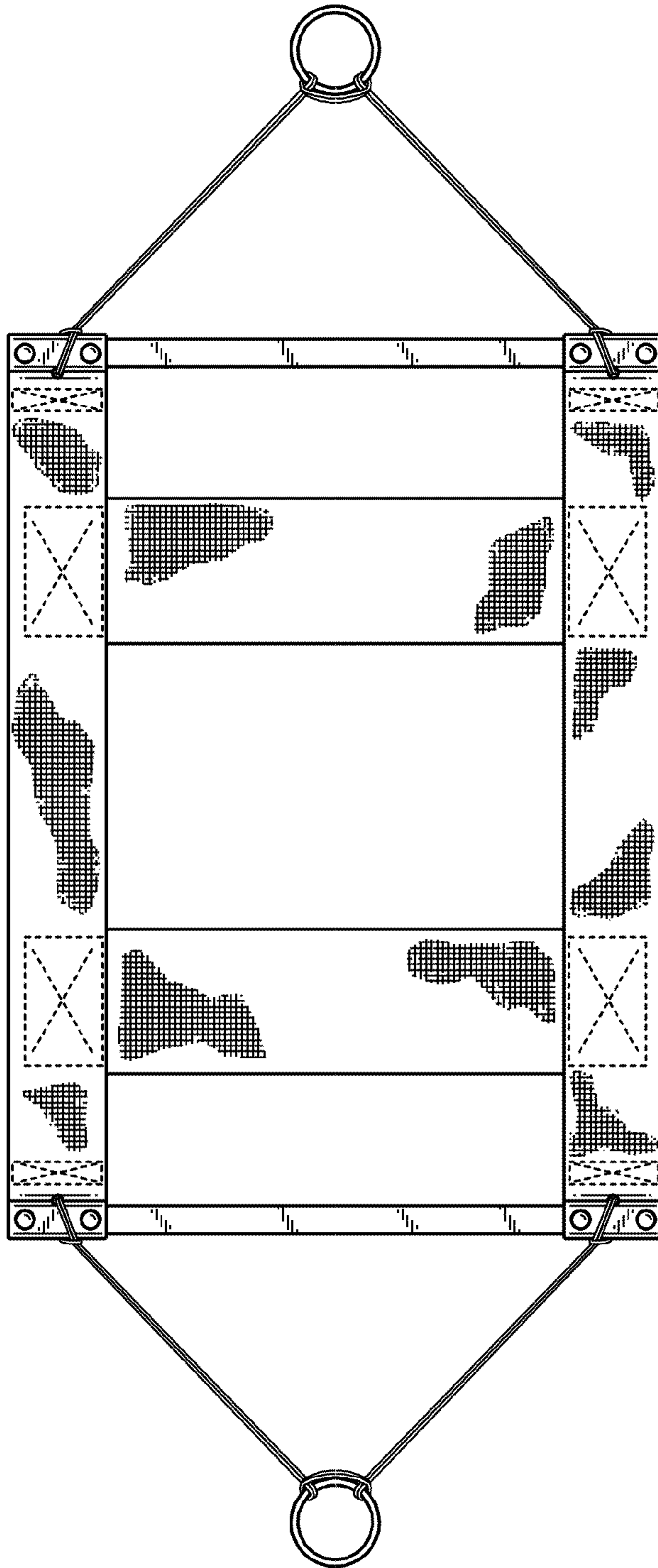


FIG. 2

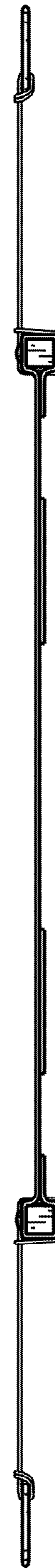


FIG. 3

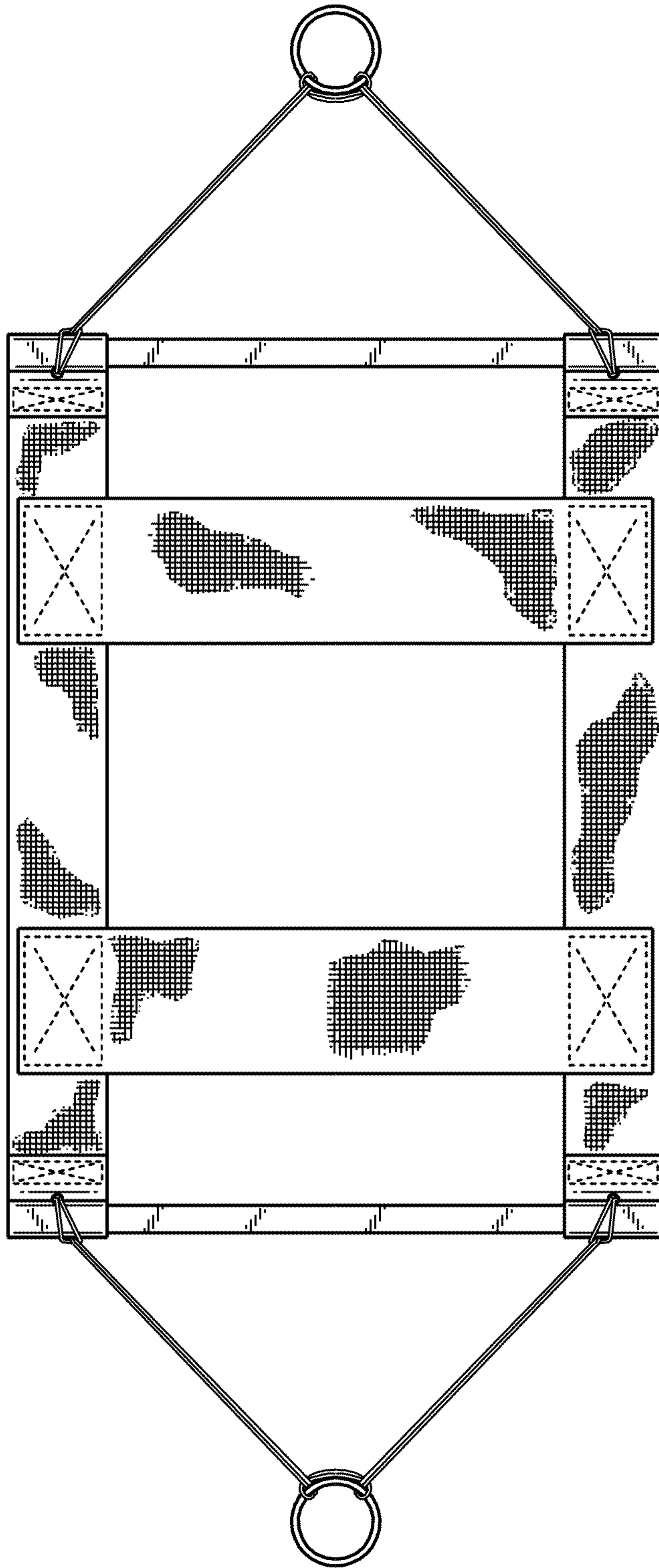


FIG. 4

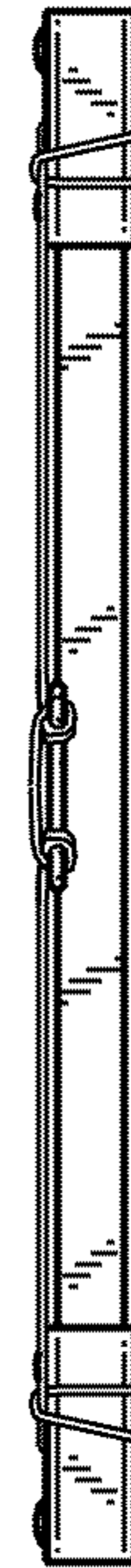


FIG. 5