



US00D685892S

(12) **United States Design Patent**
Dickout

(10) **Patent No.:** **US D685,892 S**

(45) **Date of Patent:** **** Jul. 9, 2013**

(54) **SINK**

(75) Inventor: **Blair Dickout**, Montreal (CA)

(73) Assignee: **Artika for Living Inc.**, Montreal (CA)

(**) Term: **14 Years**

(21) Appl. No.: **29/428,881**

(22) Filed: **Aug. 3, 2012**

(51) **LOC (9) Cl.** **23-02**

(52) **U.S. Cl.**
USPC **D23/290**

(58) **Field of Classification Search**
USPC .. D23/284–288, 290–293.1, 303, 308; 4/619,
4/639–640, 642
See application file for complete search history.

(56) **References Cited**

U.S. PATENT DOCUMENTS

4,651,361 A * 3/1987 Nolan 4/516
D537,997 S * 3/2007 Plikuhn D32/57

D538,497 S * 3/2007 Plikuhn D32/57
8,087,108 B2 * 1/2012 Burns et al. 4/657
D669,562 S * 10/2012 Booth D23/290

* cited by examiner

Primary Examiner — Robert Delehanty

(74) *Attorney, Agent, or Firm* — Brouillette & Partners;
François Cartier; Robert Brouillette

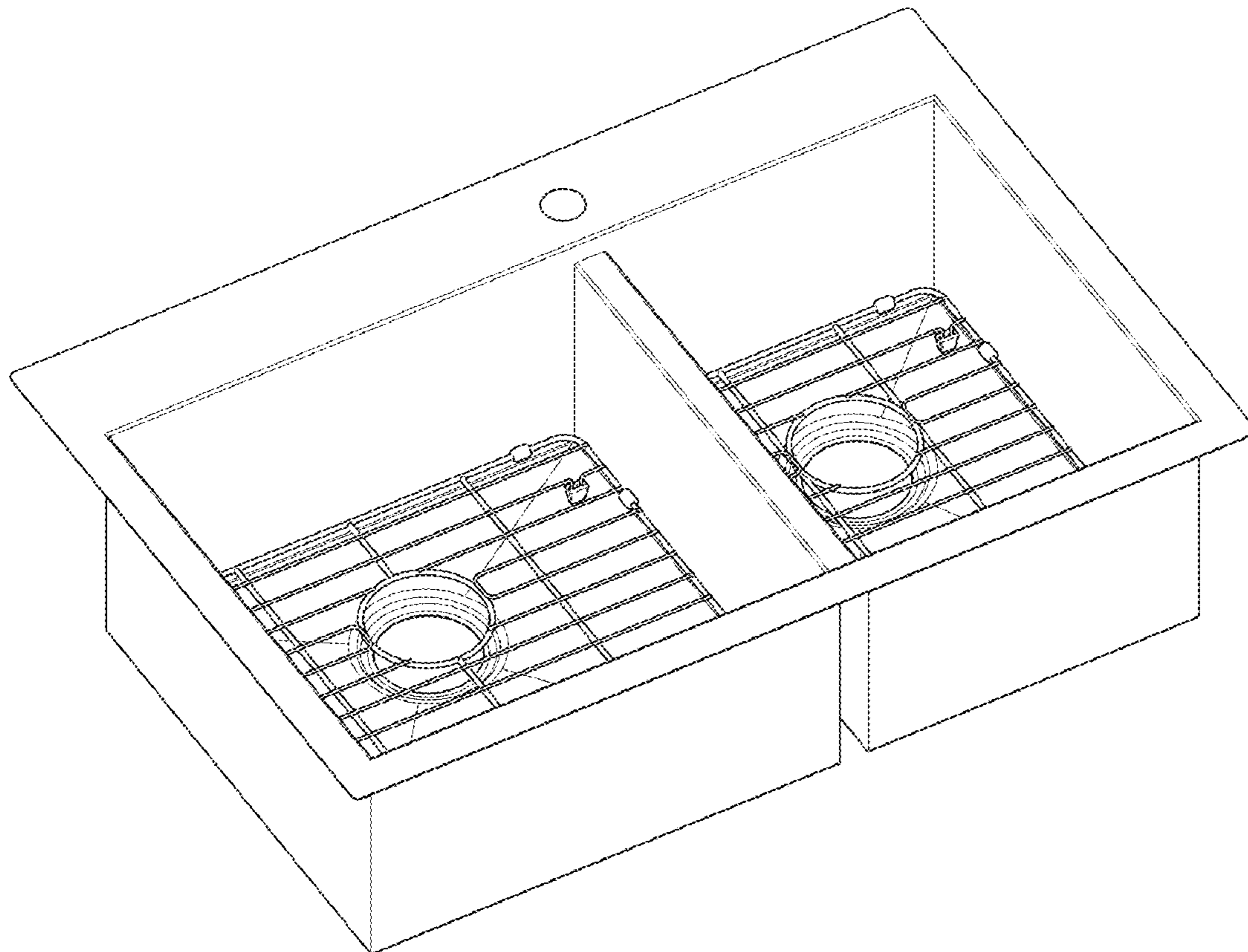
(57) **CLAIM**

The ornamental design for a sink, as shown.

DESCRIPTION

FIG. 1 is a front perspective view of the sink;
FIG. 2 is a rear perspective view of the sink;
FIG. 3 is a top view of the sink;
FIG. 4 is a front view of the sink;
FIG. 5 is a side view of the sink; and,
FIG. 6 is a bottom view of the sink.

1 Claim, 3 Drawing Sheets



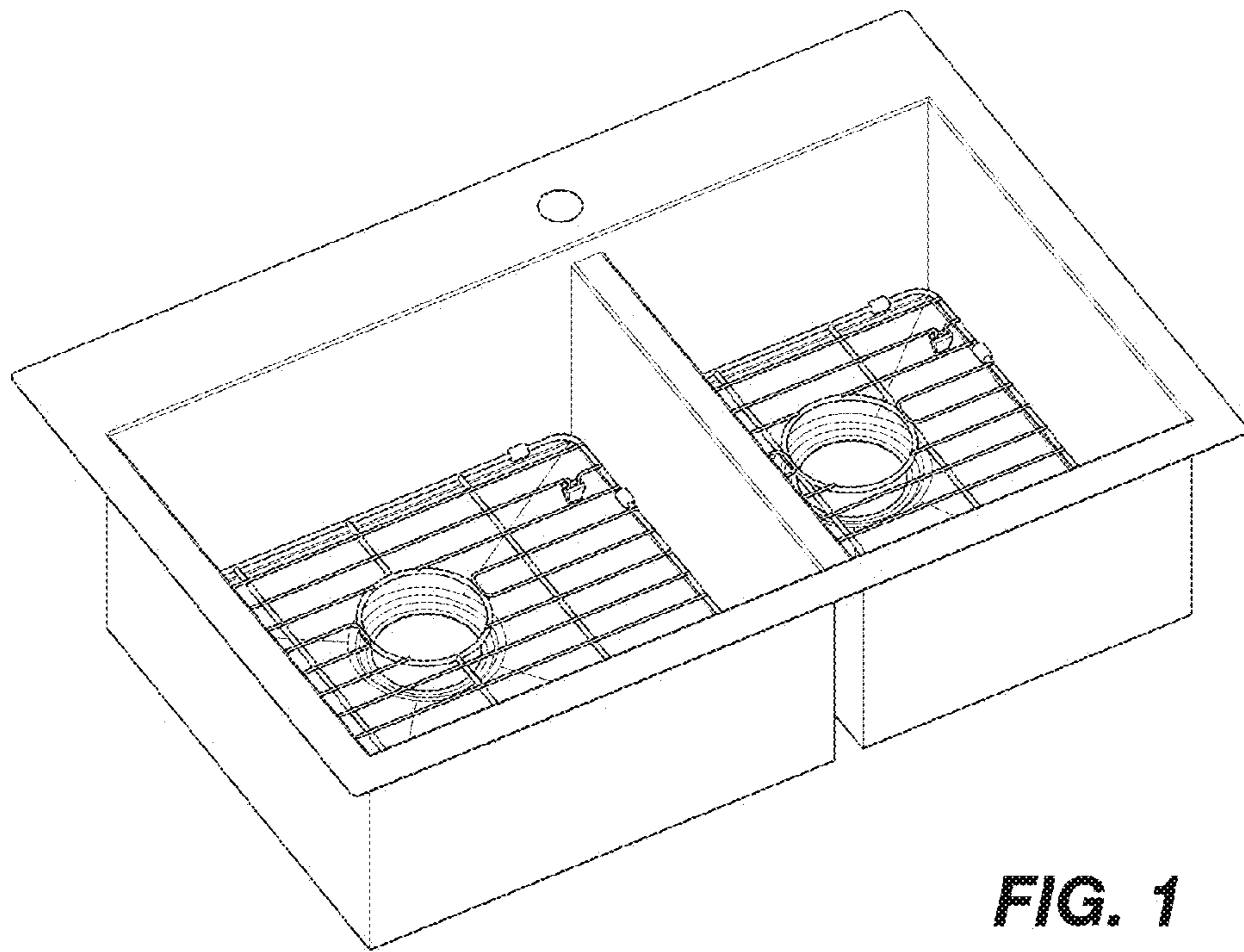


FIG. 1

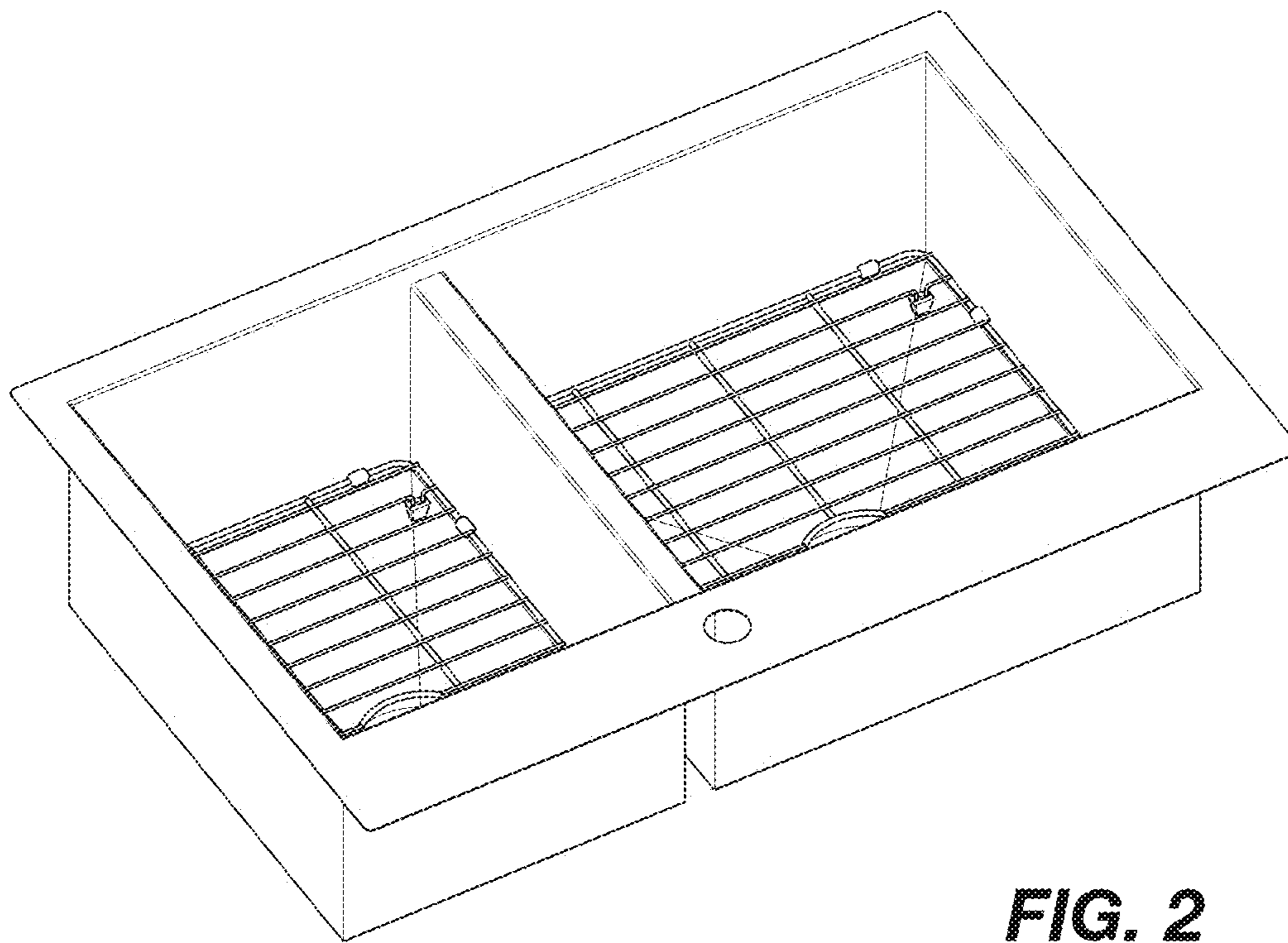


FIG. 2

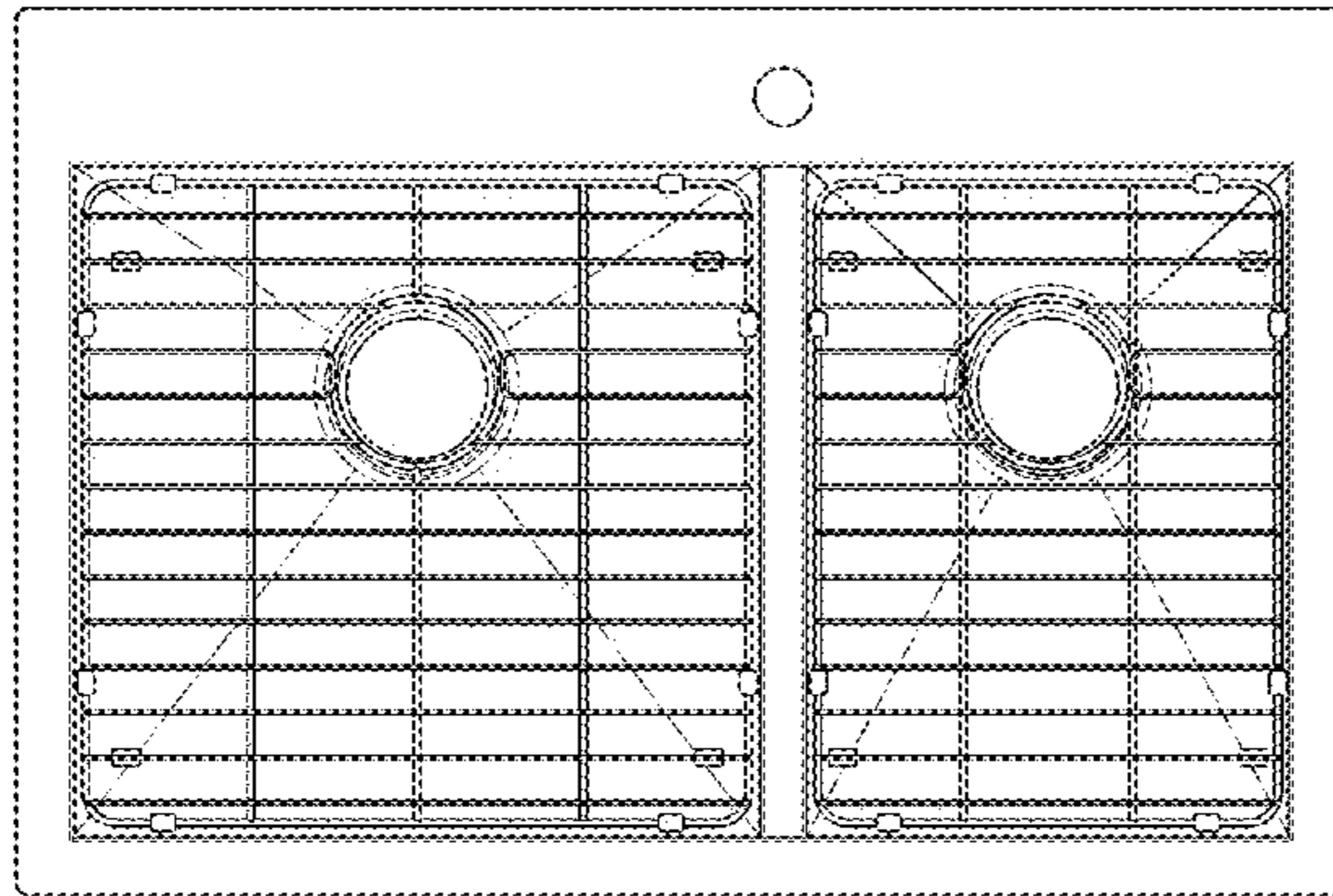


FIG. 3

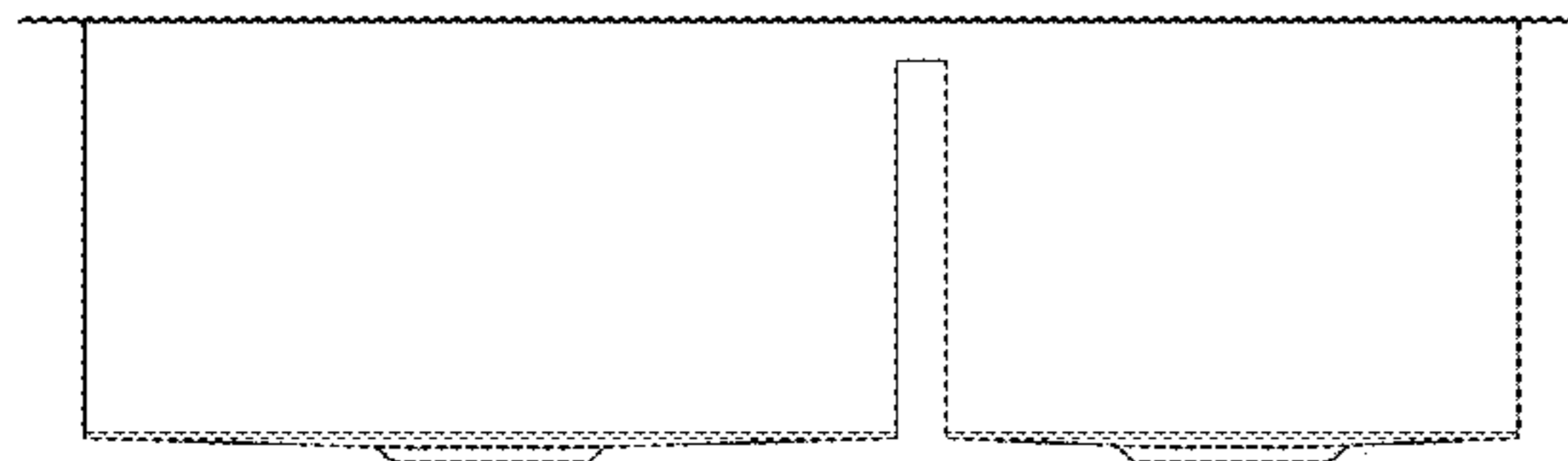


FIG. 4

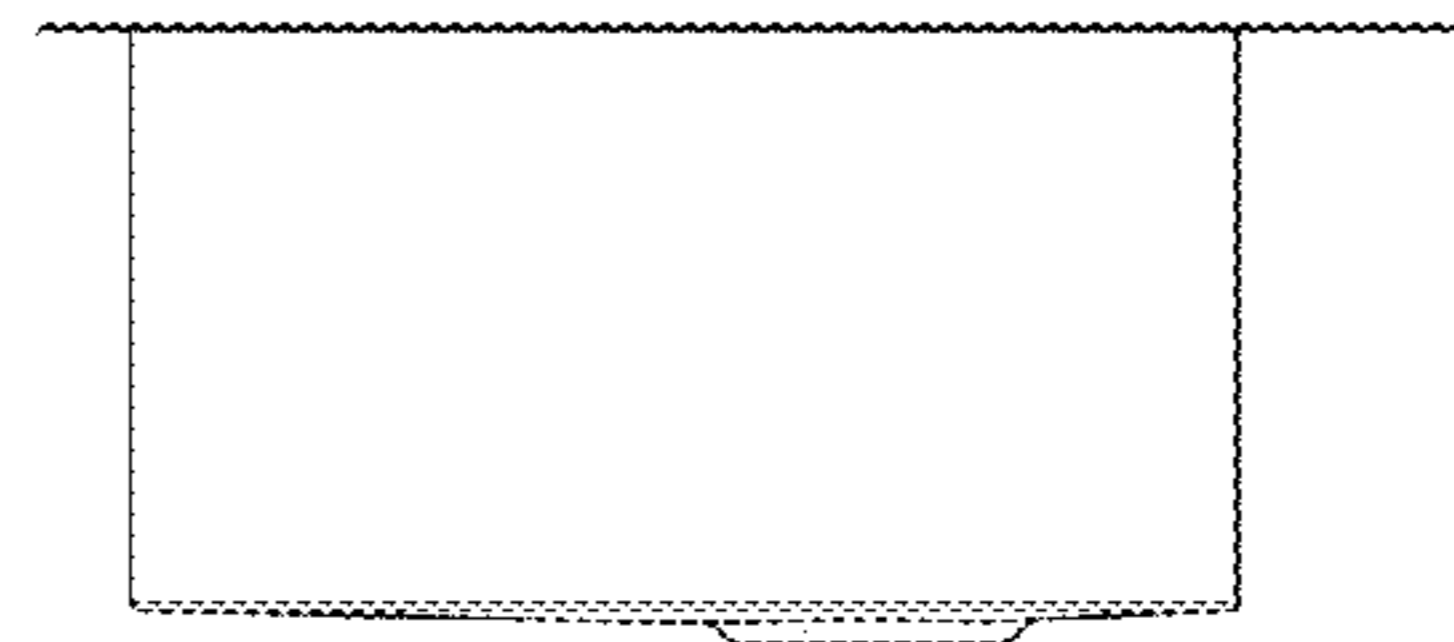


FIG. 5

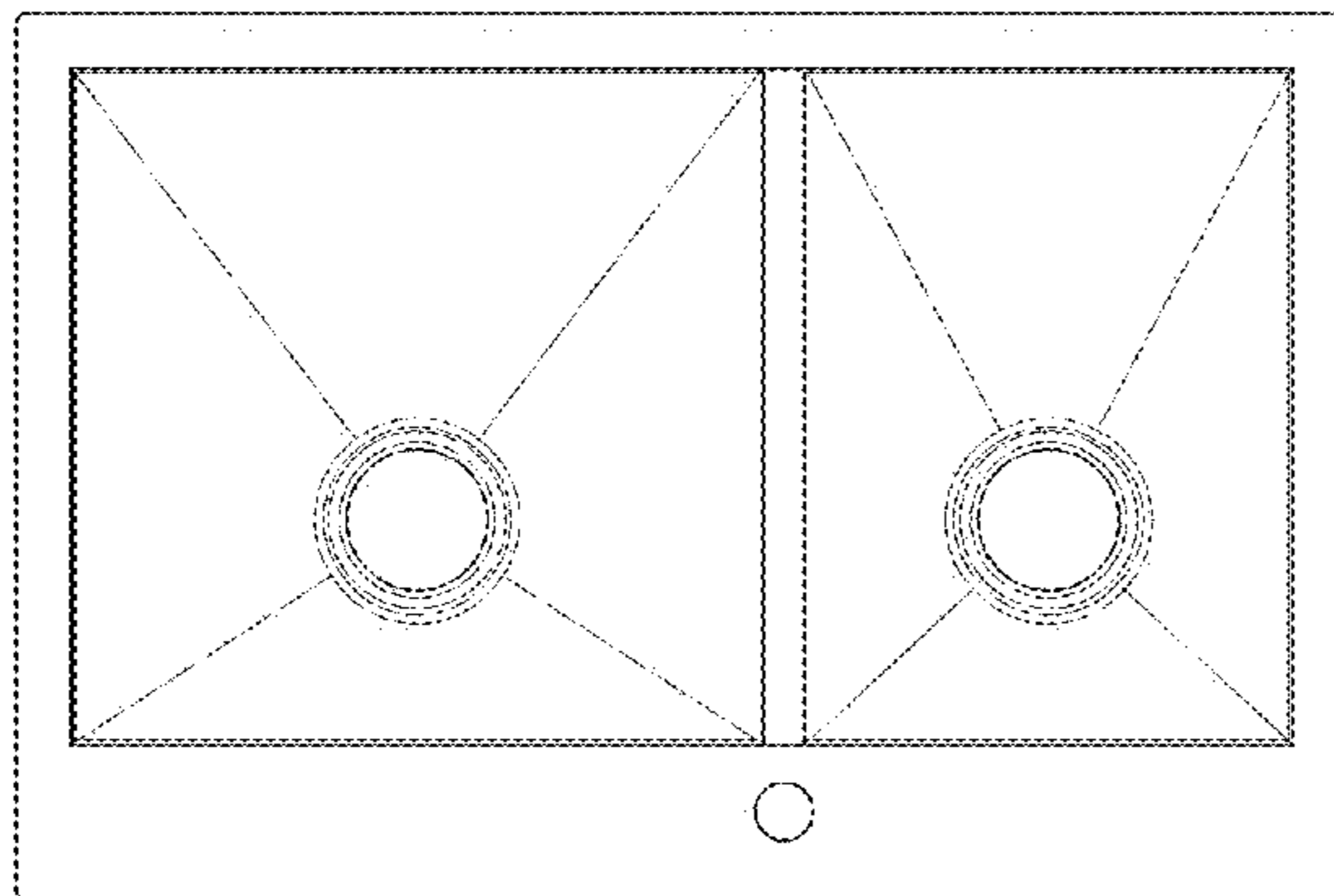


FIG. 6