



US00D685886S

(12) **United States Design Patent**  
**Shah et al.**

(10) **Patent No.:** **US D685,886 S**  
(45) **Date of Patent:** **\*\* Jul. 9, 2013**

(54) **PIPE COUPLING SEGMENT**  
(71) Applicant: **Victaulic Company**, Easton, PA (US)  
(72) Inventors: **Amit R Shah**, Quakertown, PA (US);  
**Scott D Madara**, Nazareth, PA (US)  
(73) Assignee: **Victaulic Company**, Easton, PA (US)  
(\*\*) Term: **14 Years**

D602,127 S 10/2009 Shah et al.  
D605,734 S 12/2009 Henry et al.  
D605,735 S 12/2009 Shah et al.  
D607,548 S 1/2010 Shah et al.  
D607,549 S 1/2010 Shah et al.  
D607,550 S 1/2010 Shah et al.  
D608,865 S 1/2010 Henry et al.  
D608,866 S 1/2010 Henry et al.  
D608,867 S 1/2010 Henry et al.

(Continued)

(21) Appl. No.: **29/433,535**  
(22) Filed: **Oct. 1, 2012**  
(51) **LOC (9) Cl.** ..... **23-01**  
(52) **U.S. Cl.**  
USPC ..... **D23/262**  
(58) **Field of Classification Search**  
USPC ..... D23/259, 262; 285/11-12, 7, 177,  
285/394-395, 307, 358, 179-183, 423, 356,  
285/303, 337  
See application file for complete search history.

**OTHER PUBLICATIONS**

Chionchio, John A., Pipe Coupling Segment; Design U.S. Appl. No. 29/433,487, filed Oct. 1, 2012, pp. 1-7.

(Continued)

*Primary Examiner* — Eric Goodman  
(74) *Attorney, Agent, or Firm* — Ballard Spahr LLP

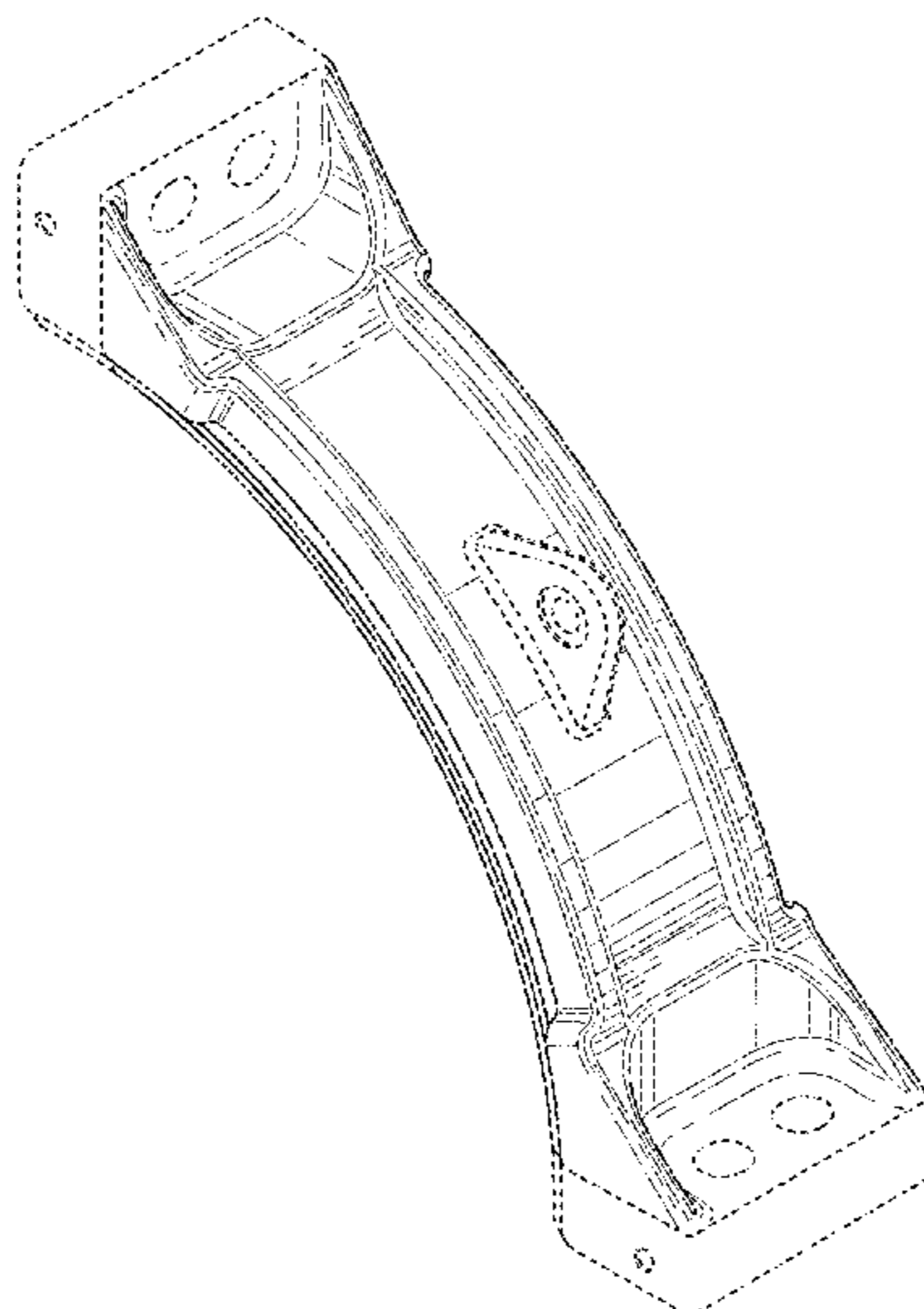
(57) **CLAIM**  
We claim the ornamental design for a pipe coupling segment, as shown and described.

**DESCRIPTION**

FIG. 1 is an isometric view of a design of a pipe coupling segment according to our invention;  
FIG. 2 is a left side view of the pipe coupling segment shown in FIG. 1, the right side view being identical;  
FIG. 3 is a lower bottom view of the pipe coupling segment shown in FIG. 1;  
FIG. 4 is a lower end view of the pipe coupling segment shown in FIG. 1;  
FIG. 5 is an upper end view of the pipe coupling segment shown in FIG. 1; and,  
FIG. 6 is an upper bottom view of the pipe coupling segment shown in FIG. 1.  
The broken lines shown in FIGS. 1 through 6 are for illustrative purposes only and form no part of the claimed design.

**1 Claim, 3 Drawing Sheets**

(56) **References Cited**  
**U.S. PATENT DOCUMENTS**  
872,659 A 12/1907 Lord  
2,822,195 A \* 2/1958 Hoke ..... 285/337  
2,861,822 A 11/1958 Riskey et al.  
D208,388 S 8/1967 Graham  
3,352,579 A 11/1967 Hoke  
4,183,560 A 1/1980 Wyss  
D339,975 S \* 10/1993 Bird et al. .... D8/354  
5,509,699 A \* 4/1996 Himmelberger ..... 285/337  
5,803,513 A \* 9/1998 Richardson ..... 285/342  
D453,816 S 2/2002 Sato et al.  
6,494,502 B1 12/2002 Plante  
D513,793 S 1/2006 Copeland et al.  
D515,673 S 2/2006 Copeland et al.  
7,090,259 B2 \* 8/2006 Dole ..... 285/367  
D593,642 S 6/2009 Copeland et al.  
D600,784 S 9/2009 Henry et al.



# US D685,886 S

Page 2

## U.S. PATENT DOCUMENTS

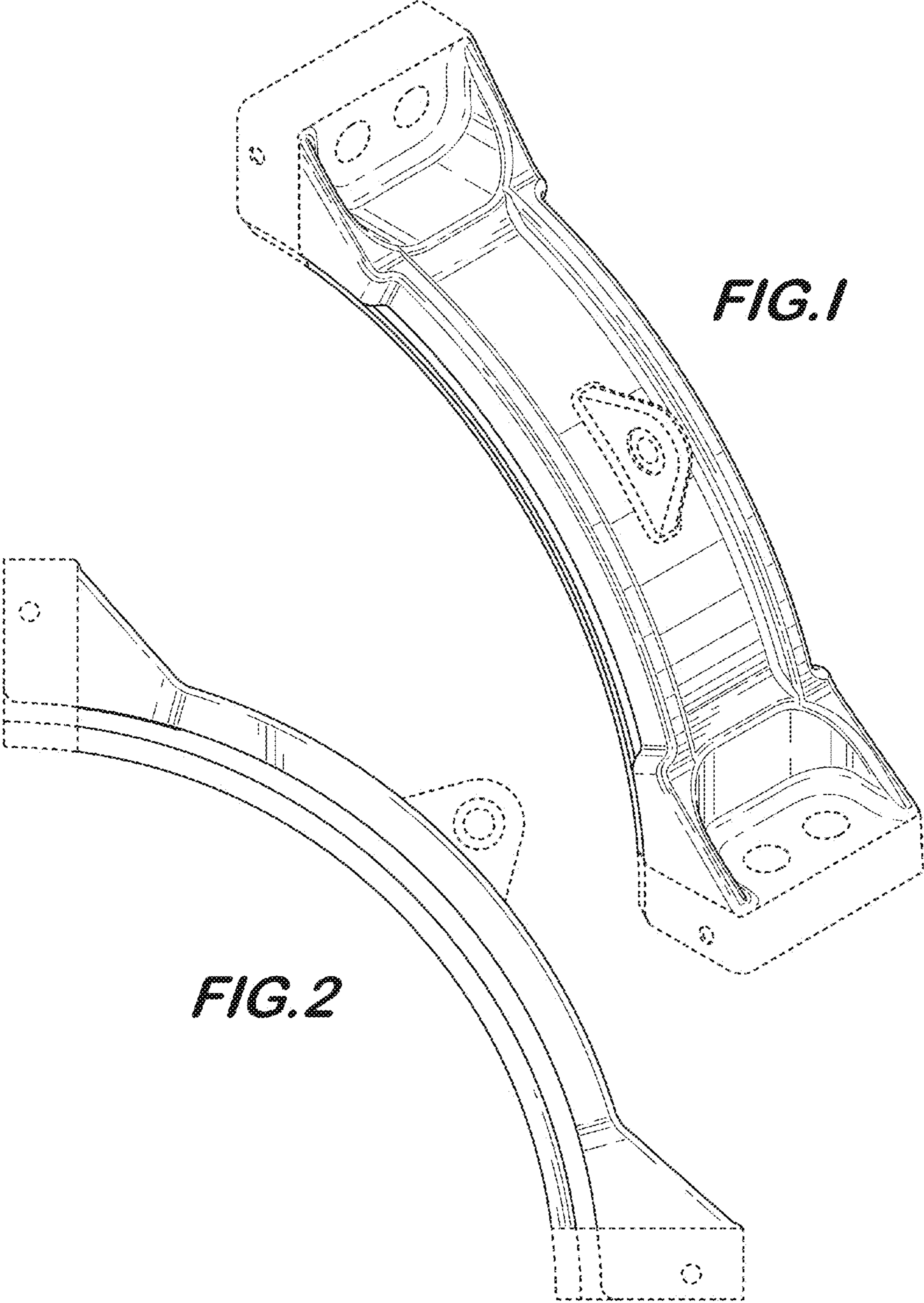
D612,461 S 3/2010 Henry et al.  
D612,462 S 3/2010 Shah et al.  
D612,463 S 3/2010 Shah et al.  
D613,377 S 4/2010 Shah et al.  
D614,269 S 4/2010 Henry et al.  
D616,072 S 5/2010 Henry et al.  
D620,086 S \* 7/2010 Copeland et al. .... D23/266  
D633,600 S \* 3/2011 Madara ..... D23/262  
D665,060 S \* 8/2012 Wilk et al. .... D23/262  
D665,888 S \* 8/2012 Wilk et al. .... D23/262  
D674,060 S \* 1/2013 Wilk et al. .... D23/262  
D674,061 S \* 1/2013 Cuvo et al. .... D23/262  
D674,062 S \* 1/2013 Madara et al. .... D23/262  
D674,063 S \* 1/2013 Wilk et al. .... D23/262

2003/0071460 A1 4/2003 Snyder et al.  
2003/0230897 A1 \* 12/2003 Lundstrom ..... 285/337  
2005/0146133 A1 7/2005 Snyder et al.

## OTHER PUBLICATIONS

Chionchio, John A., Pipe Coupling Segment; Design U.S. Appl. No. 29/433,534, filed Oct. 1, 2012; pp. 1-9.  
Chionchio, John A., Pipe Coupling Segment; Design U.S. Appl. No. 29/433,536, filed Oct. 1, 2012; pp. 1-7.  
Chionchio, John A., Pipe Coupling Segment; Design U.S. Appl. No. 29/433,587, filed Oct. 2, 2012; pp. 1-9.  
Chionchio, John A., Pipe Coupling Segment; Design U.S. Appl. No. 29/433,585, filed Oct. 2, 2012; pp. 1-9.

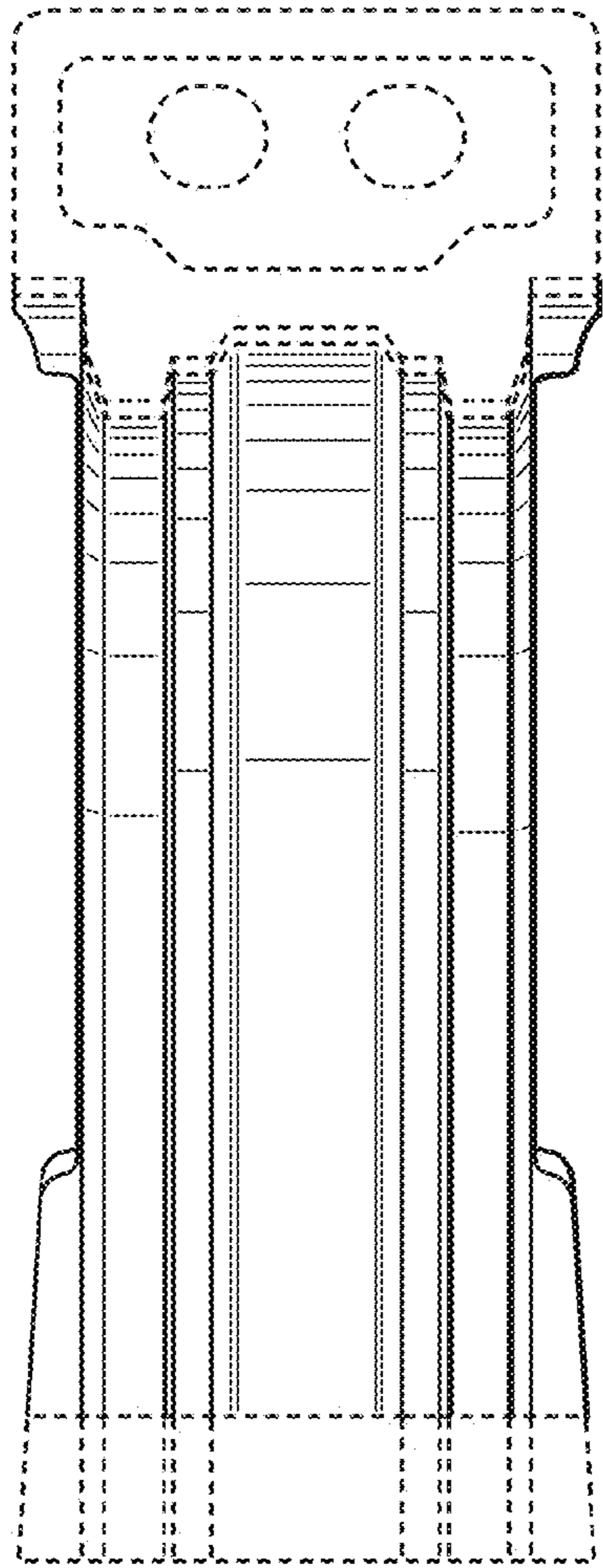
\* cited by examiner



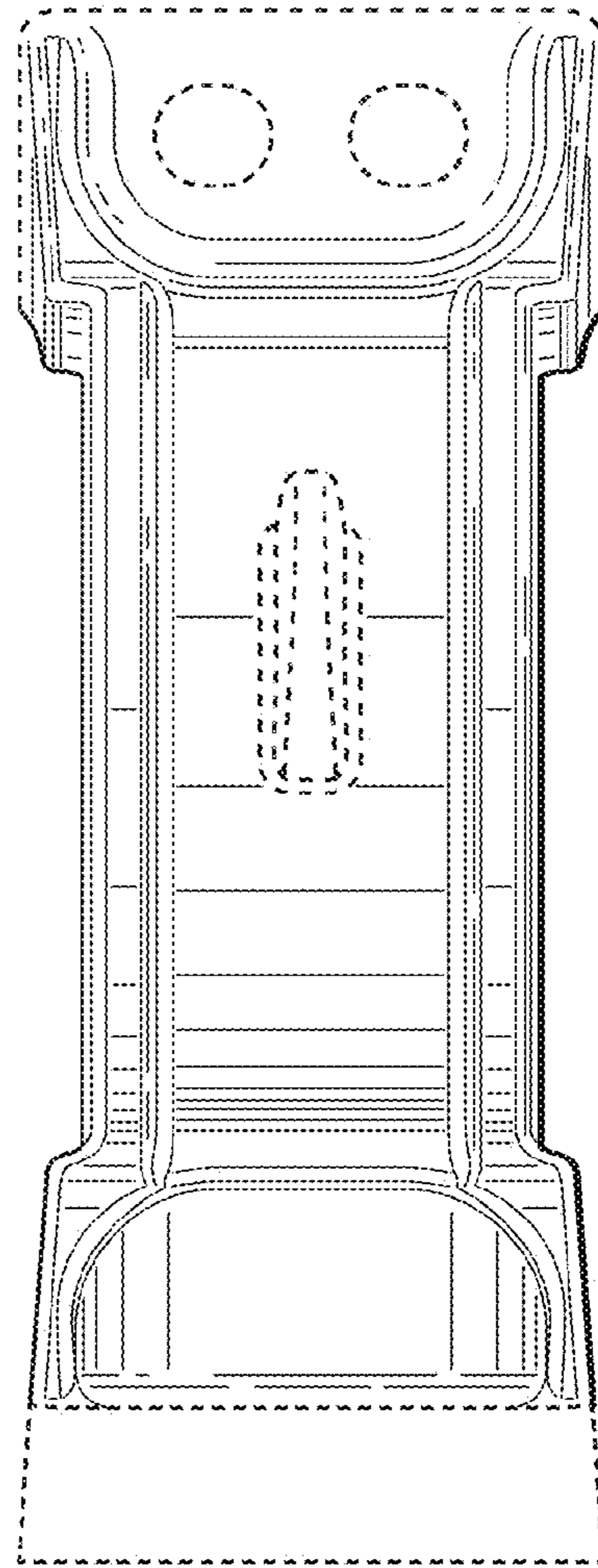
**FIG. 1**

**FIG. 2**



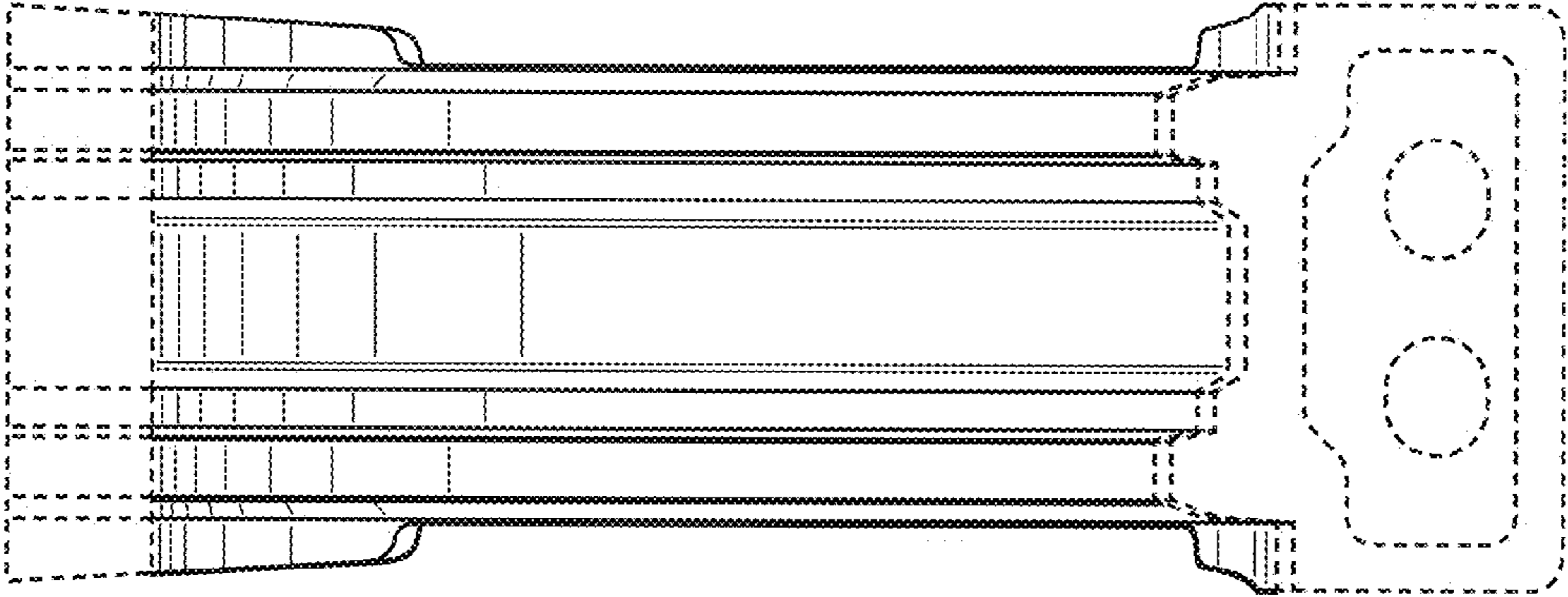
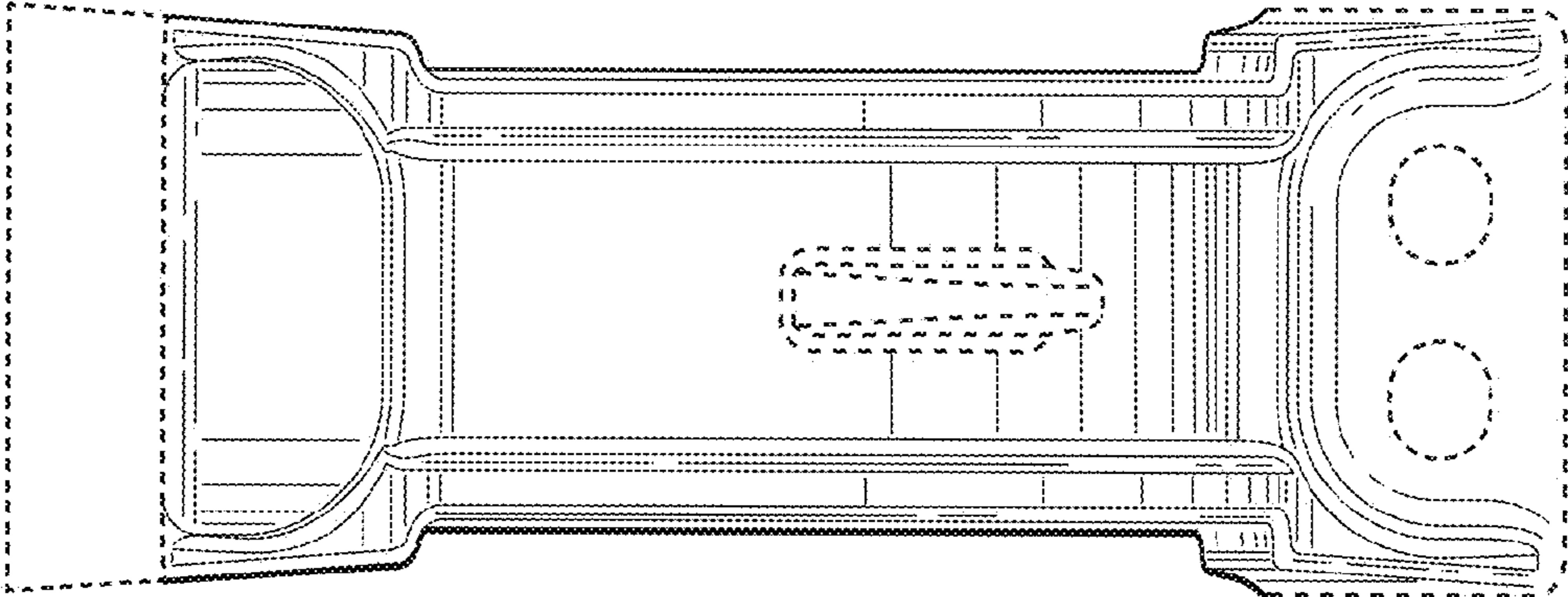


**FIG. 3**



**FIG. 4**

**FIG. 5**



**FIG. 6**