



US00D685883S

(12) **United States Design Patent**
Romero

(10) **Patent No.:** **US D685,883 S**
(45) **Date of Patent:** **** Jul. 9, 2013**

(54) **FAUCET SPOUT**

D520,121 S * 5/2006 Hoernig D23/255
D534,251 S * 12/2006 Barry D23/255
D581,029 S * 11/2008 Gilbert D23/255

(75) Inventor: **Emilie Williams Romero**, Chicago, IL
(US)

* cited by examiner

(73) Assignee: **Masco Corporation of Indiana**,
Indianapolis, IN (US)

Primary Examiner — Robert Delehanty
(74) *Attorney, Agent, or Firm* — Edgar A. Zarins; Nirav D.
Parikh; Lora J. Graentzdoerffer

(**) Term: **14 Years**

(57) **CLAIM**

(21) Appl. No.: **29/418,027**

The ornamental design for a faucet spout, as shown and described.

(22) Filed: **Apr. 11, 2012**

DESCRIPTION

(51) **LOC (9) Cl.** **23-01**

(52) **U.S. Cl.**
USPC **D23/255**

(58) **Field of Classification Search**
USPC D23/238–242, 255, 257; 4/675–678;
137/801

See application file for complete search history.

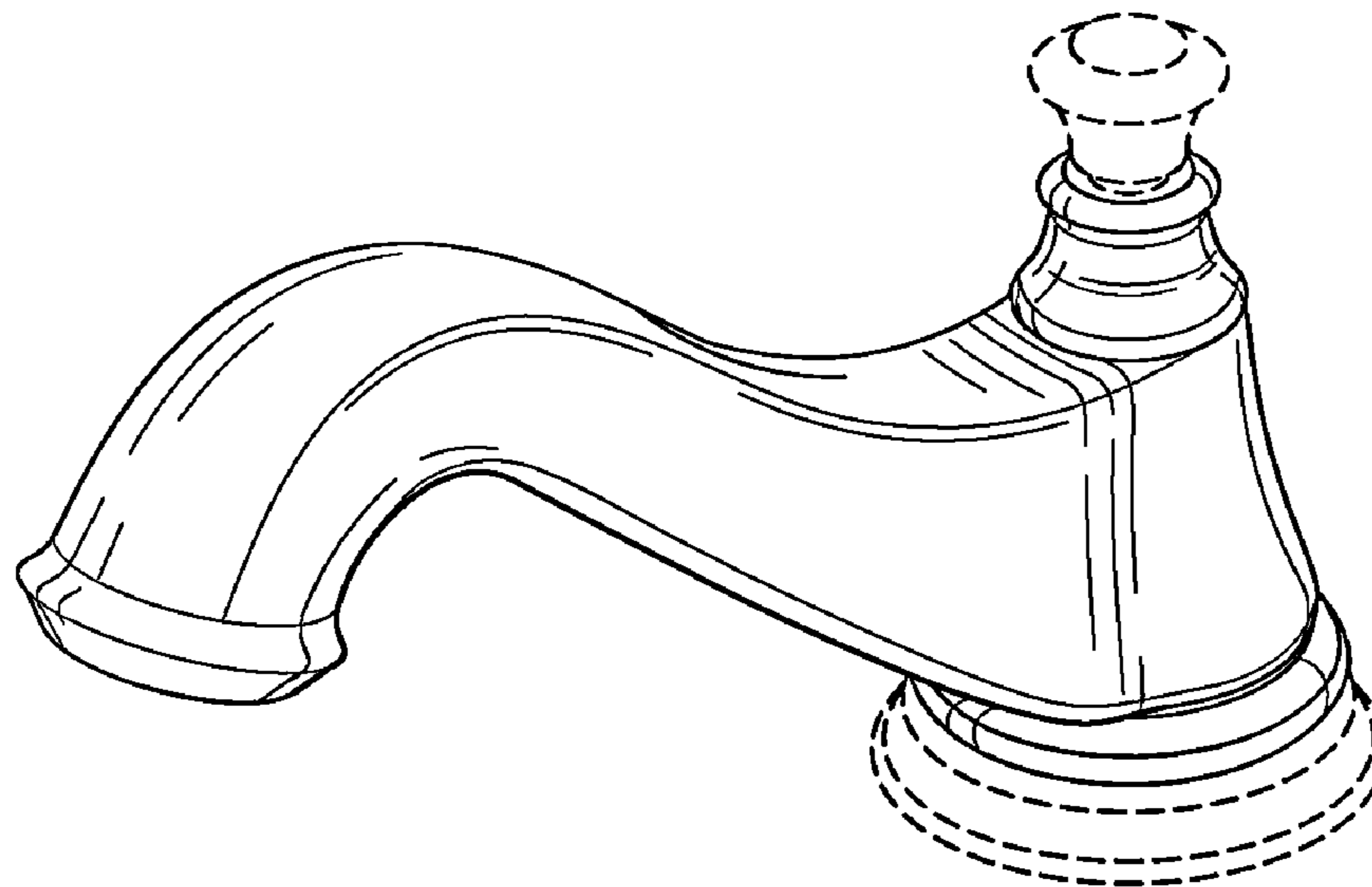
FIG. 1 is a perspective view of a faucet spout showing my new design;
FIG. 2 is a front view thereof;
FIG. 3 is a rear view thereof;
FIG. 4 is a top plan view thereof;
FIG. 5 is a right side view thereof;
FIG. 6 is a left side view thereof; and,
FIG. 7 is a bottom view thereof.
The broken lines showing portions of the faucet spout forms no part of the claimed design.

(56) **References Cited**

U.S. PATENT DOCUMENTS

D117,171 S * 10/1939 Fraser D23/257
D508,975 S * 8/2005 Painter et al. D23/238

1 Claim, 2 Drawing Sheets



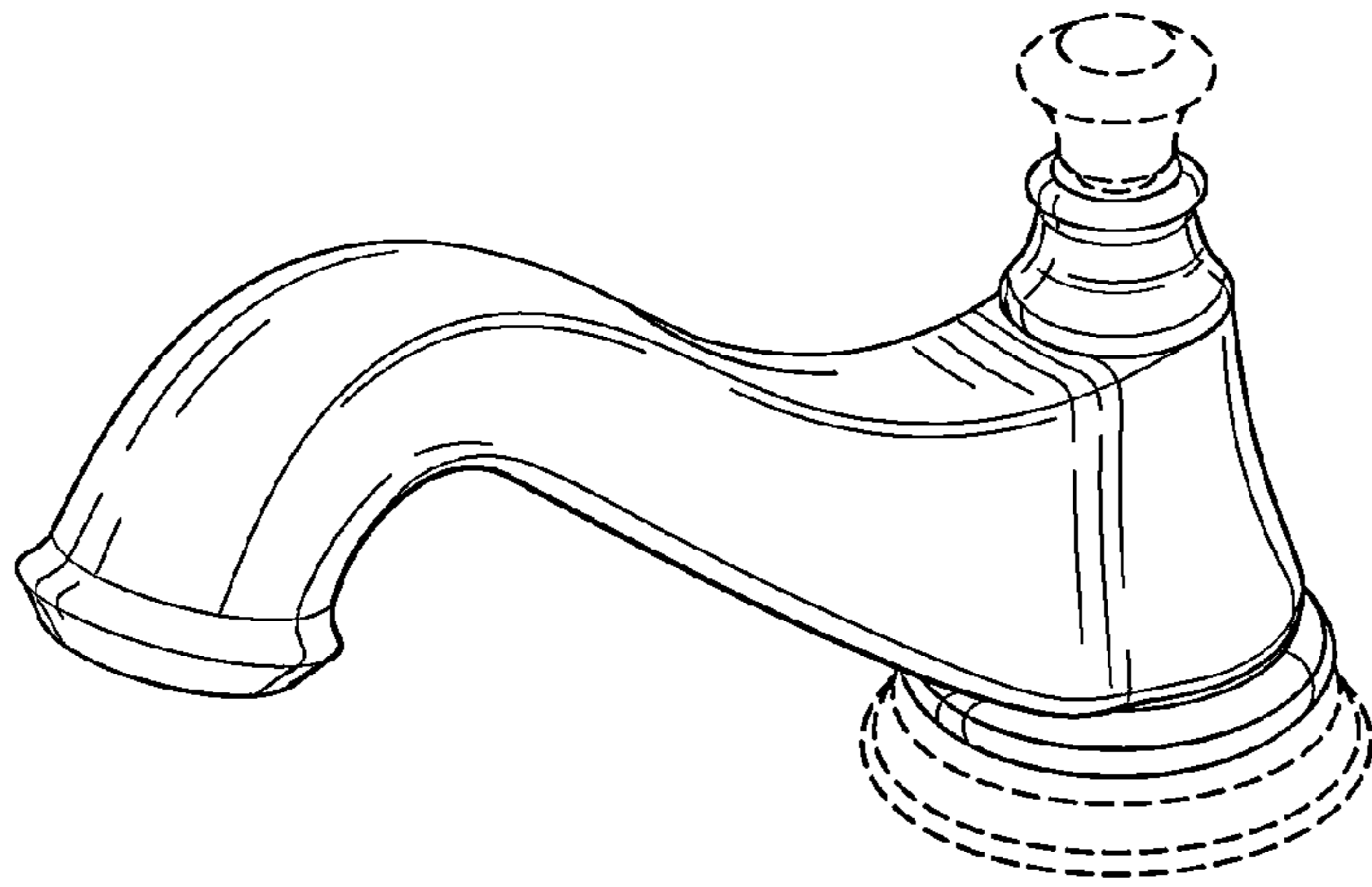


Fig-1

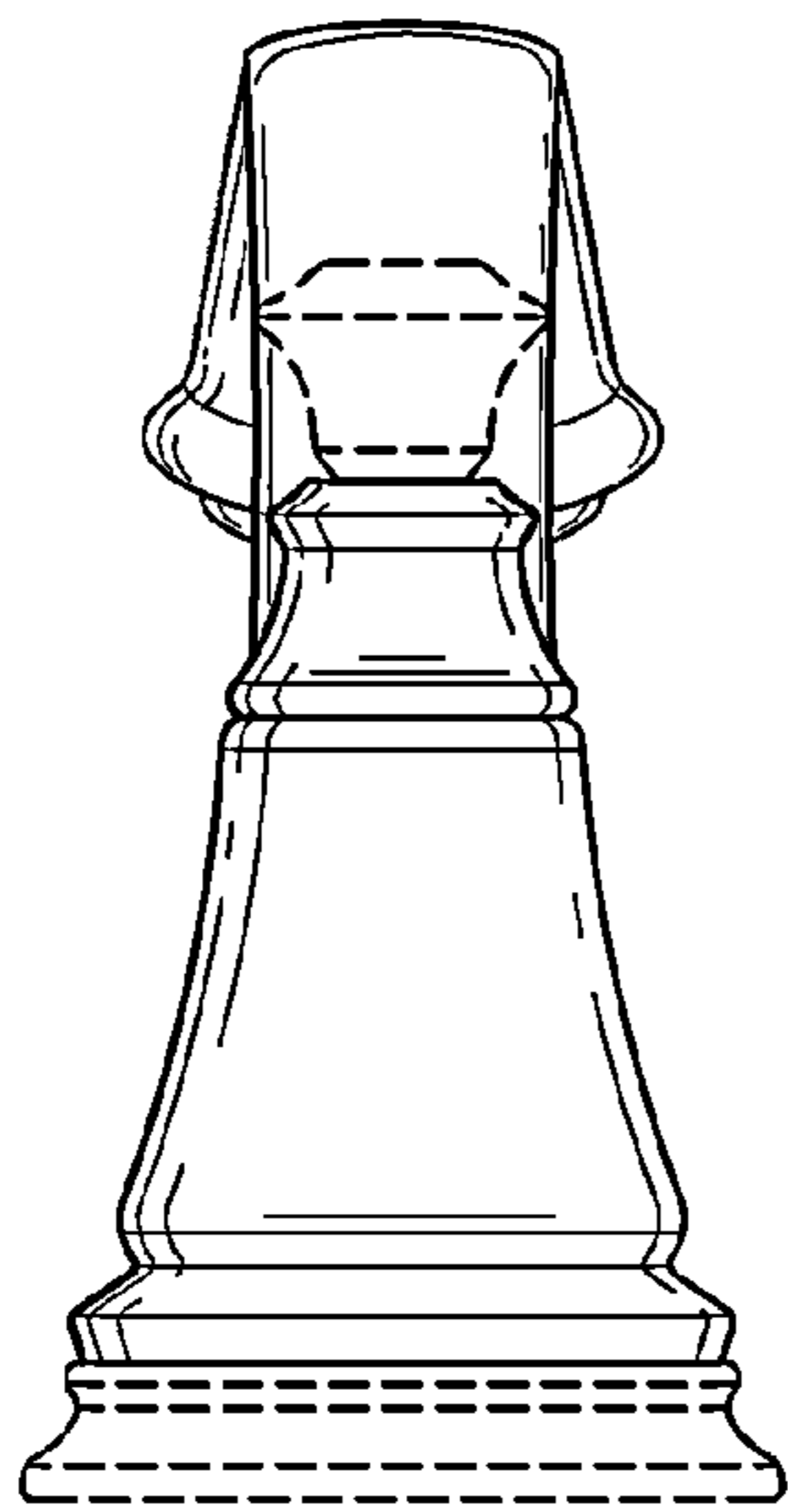


Fig-3

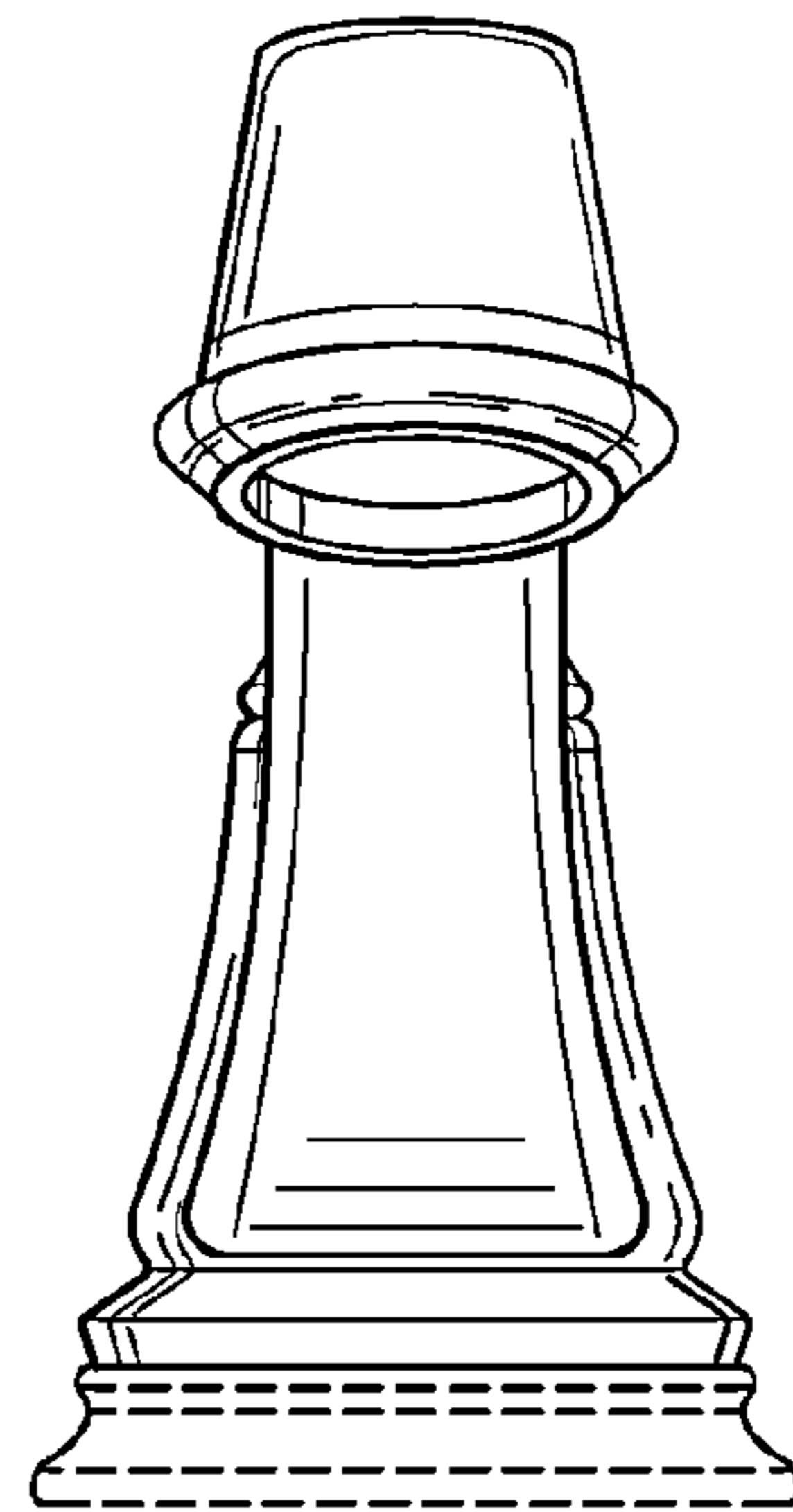


Fig-2

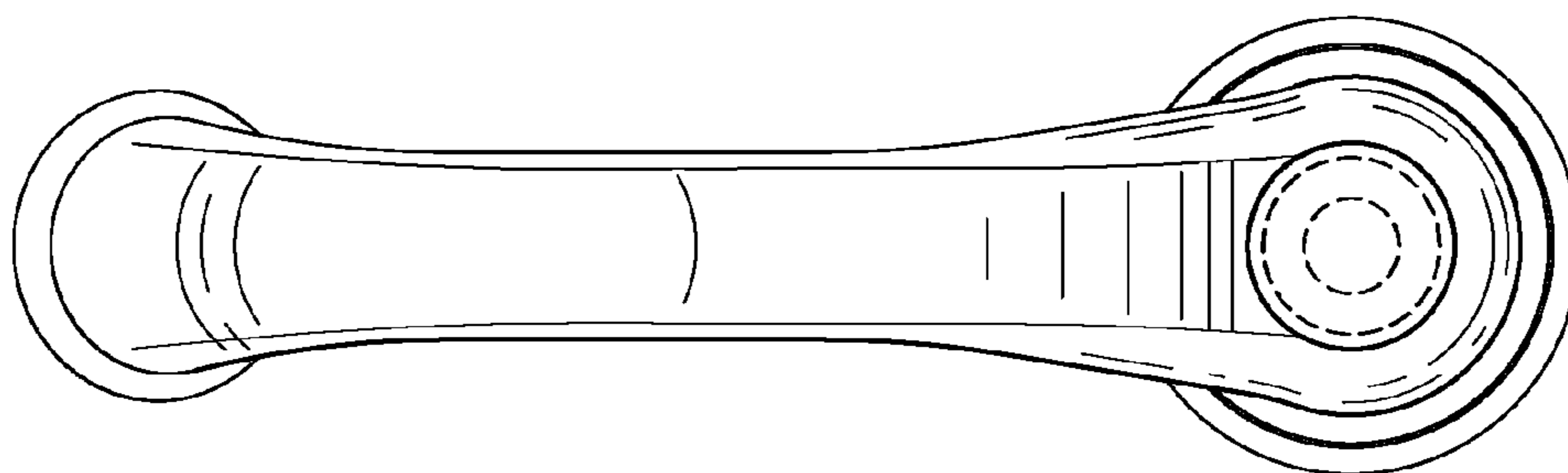


Fig-4

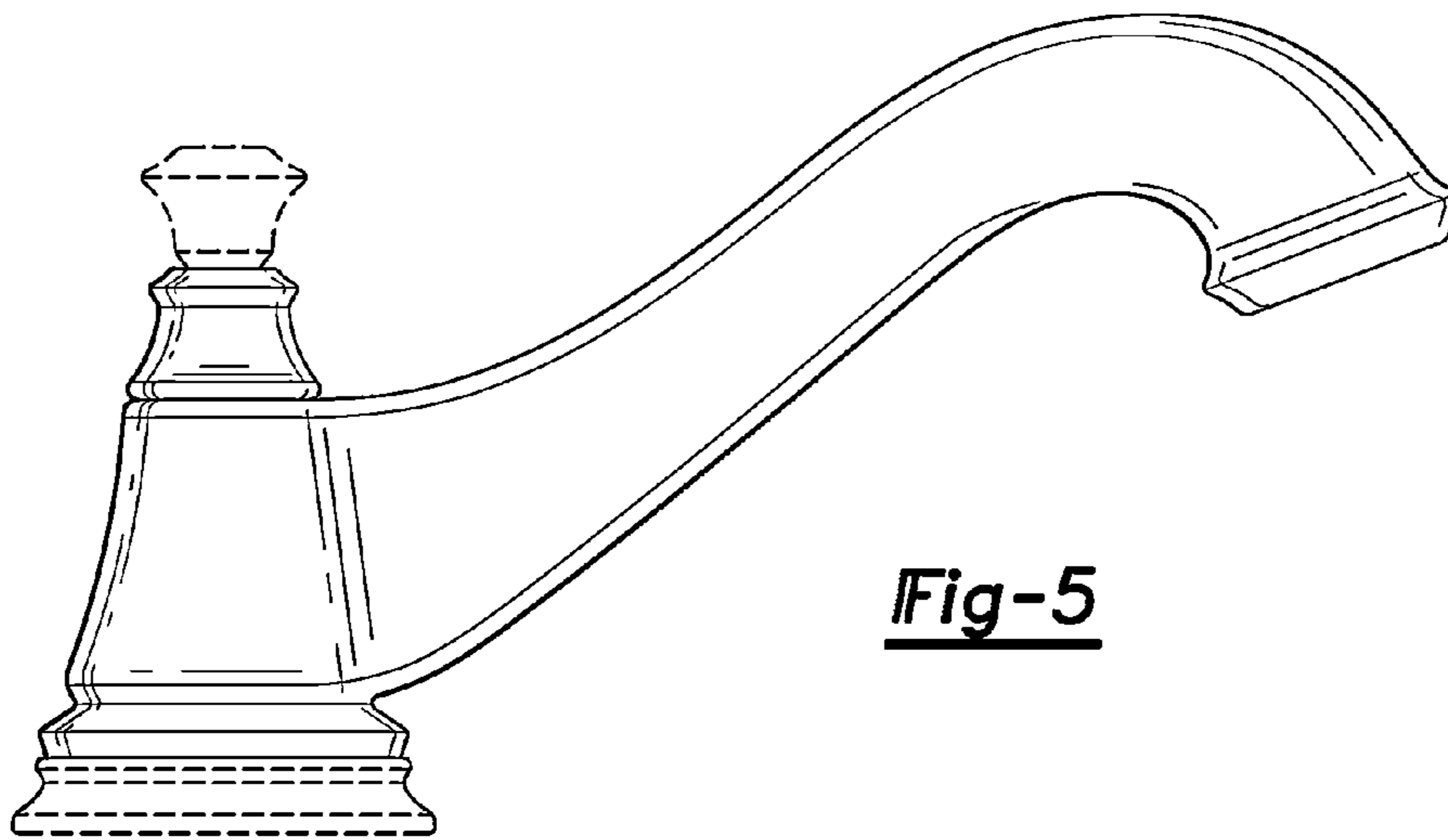


Fig-5

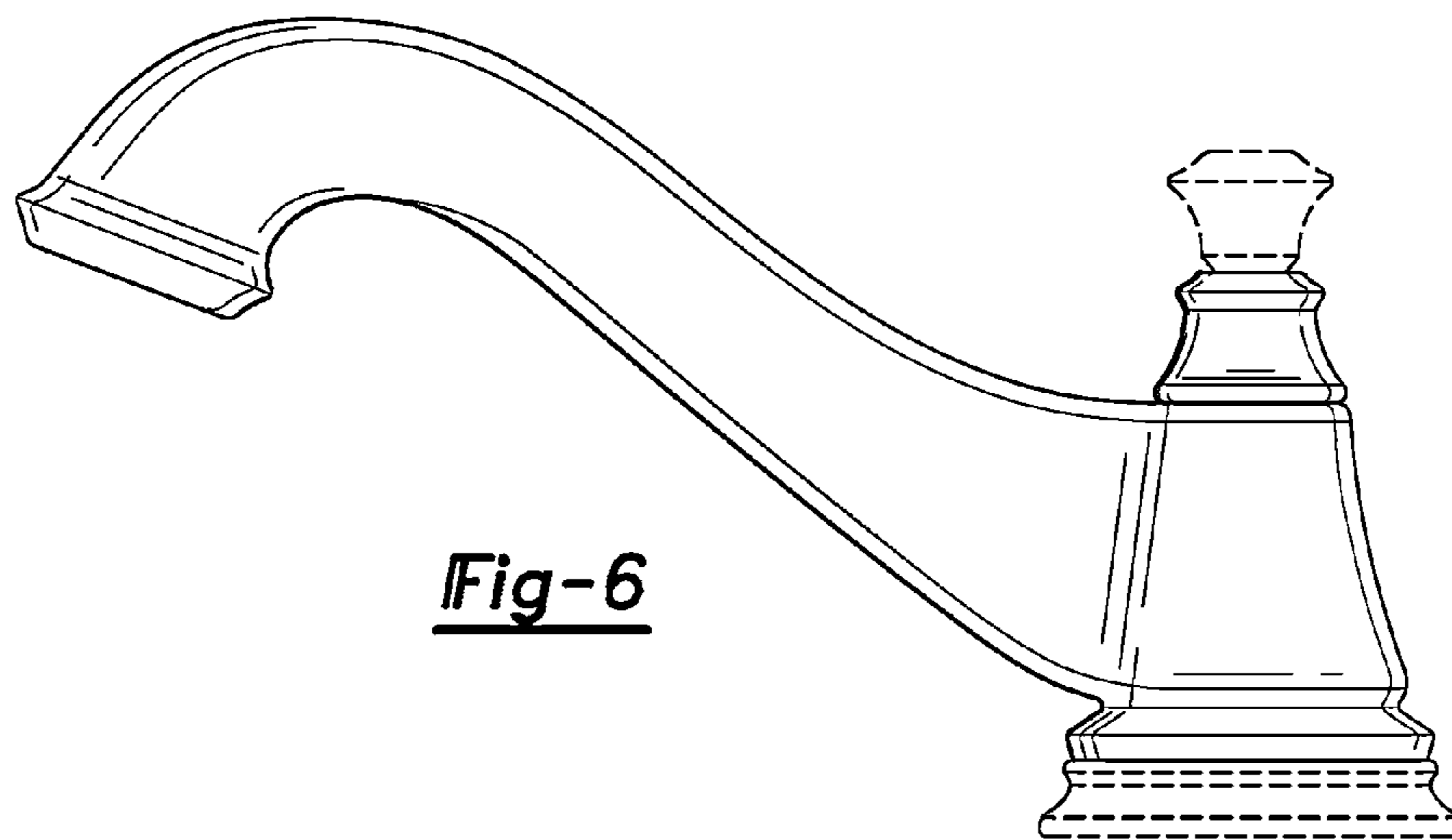


Fig-6

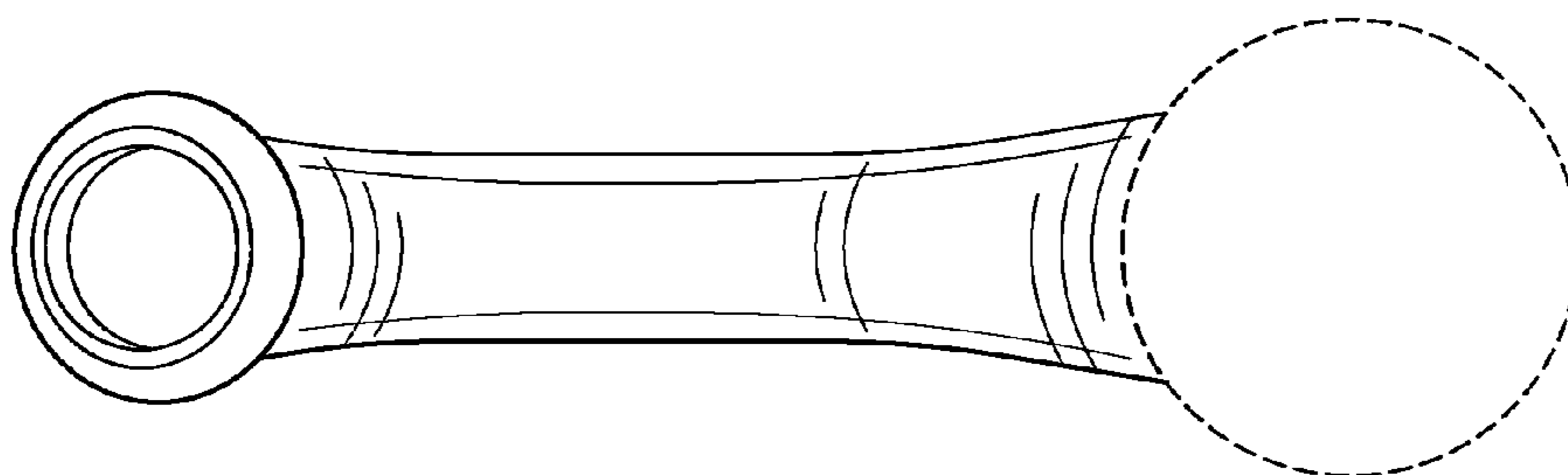


Fig-7