

US00D685882S

(12) **United States Design Patent**
Garland

(10) **Patent No.:** **US D685,882 S**

(45) **Date of Patent:** **** Jul. 9, 2013**

(54) **FAUCET HANDLE**

(71) Applicant: **Masco Corporation of Indiana,**
Indianapolis, IN (US)

(72) Inventor: **Celine Kwok Garland,** Indianapolis, IN
(US)

(73) Assignee: **Masco Corporation of Indiana,**
Indianapolis, IN (US)

(**) Term: **14 Years**

(21) Appl. No.: **29/444,634**

(22) Filed: **Feb. 1, 2013**

(51) **LOC (9) Cl.** **23-01**

(52) **U.S. Cl.**
USPC **D23/252**

(58) **Field of Classification Search**
USPC D23/238-243, 250, 252; 4/675-678;
137/801

See application file for complete search history.

(56) **References Cited**

U.S. PATENT DOCUMENTS

D634,815 S * 3/2011 Barry D23/252
D644,303 S * 8/2011 Slothower et al. D23/252
D676,936 S * 2/2013 Kwok D23/252

* cited by examiner

Primary Examiner — Robert Delehanty

(74) *Attorney, Agent, or Firm* — Edgar A. Zarins; Nirav D. Parikh; Lora J. Graentzdoerffer

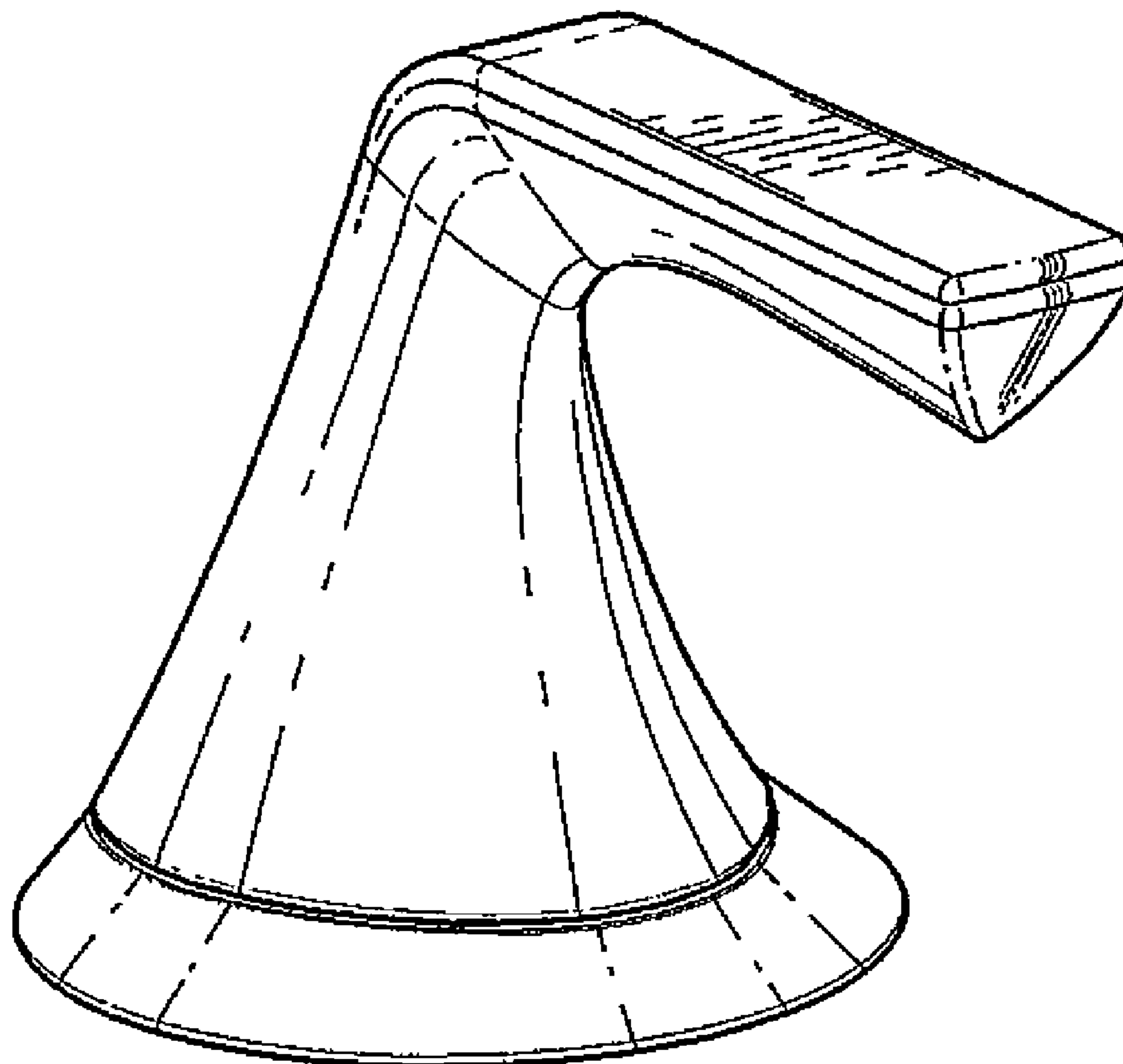
(57) **CLAIM**

The ornamental design for a faucet handle, as shown and described.

DESCRIPTION

FIG. 1 is a perspective view of a faucet handle showing my new design;
FIG. 2 is a top plan view thereof;
FIG. 3 is a bottom view thereof;
FIG. 4 is a first side view thereof, the opposite side being a mirror image of the side shown;
FIG. 5 is a first end view thereof; and,
FIG. 6 is a second end view thereof.

1 Claim, 2 Drawing Sheets



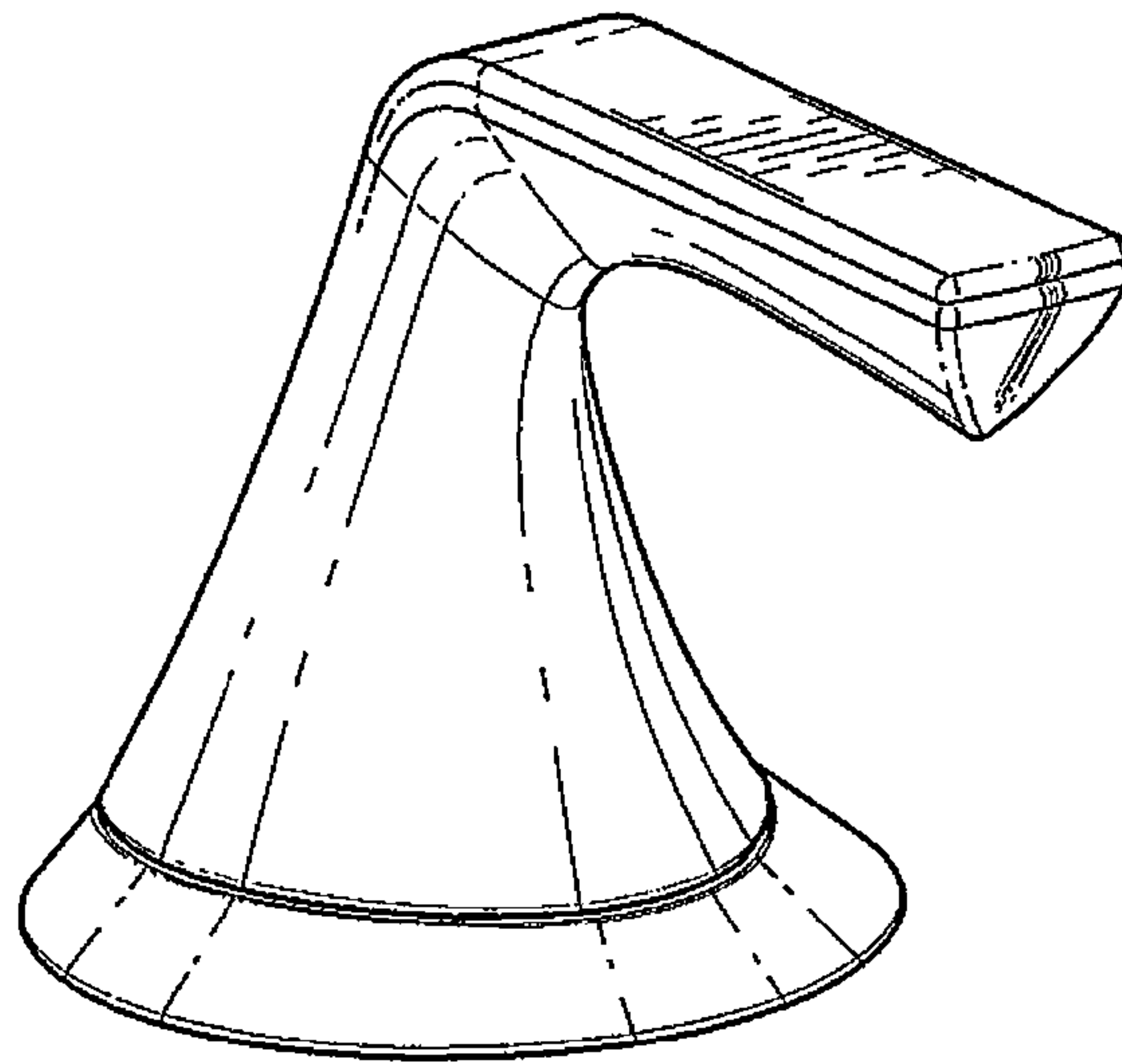


Fig-1

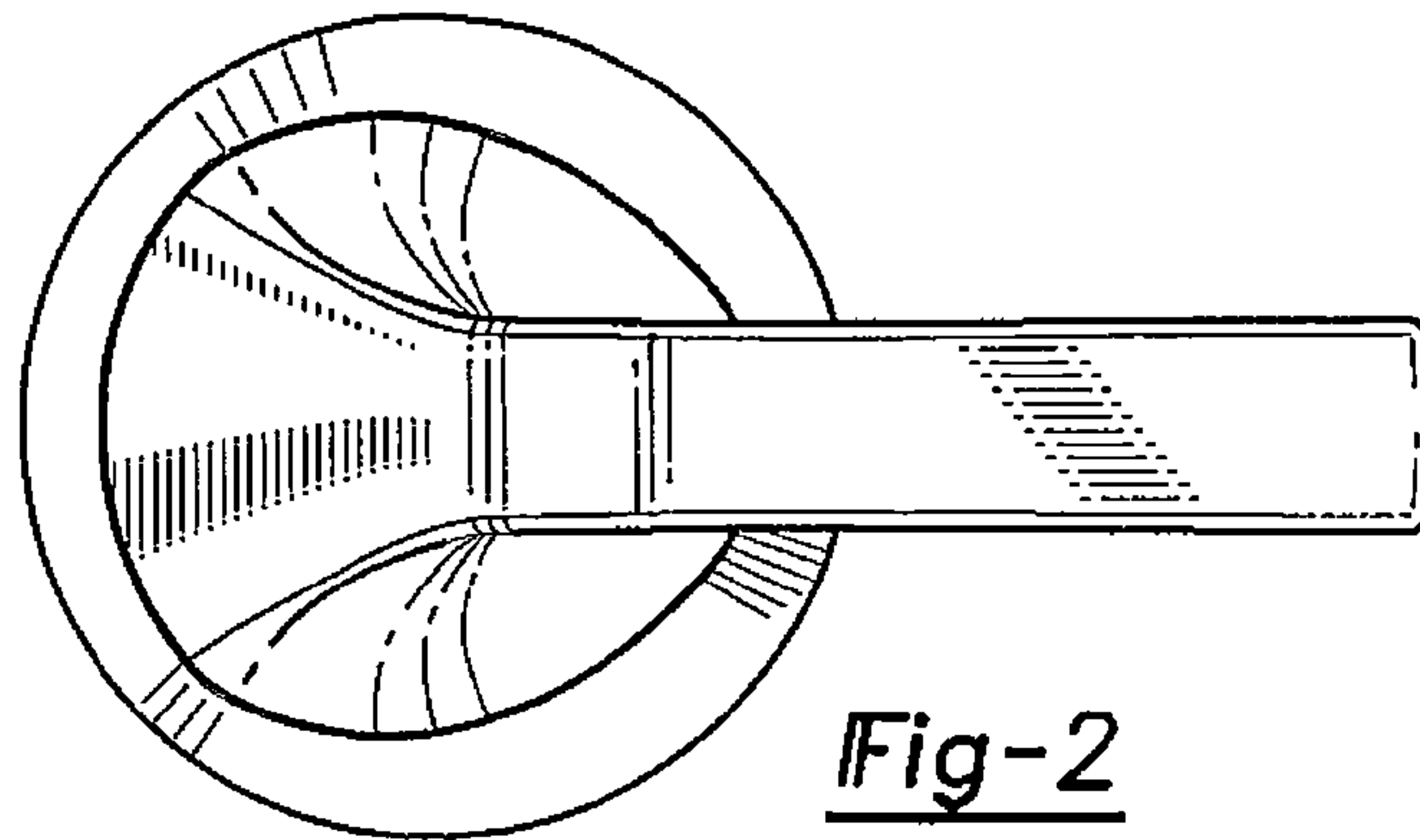


Fig-2

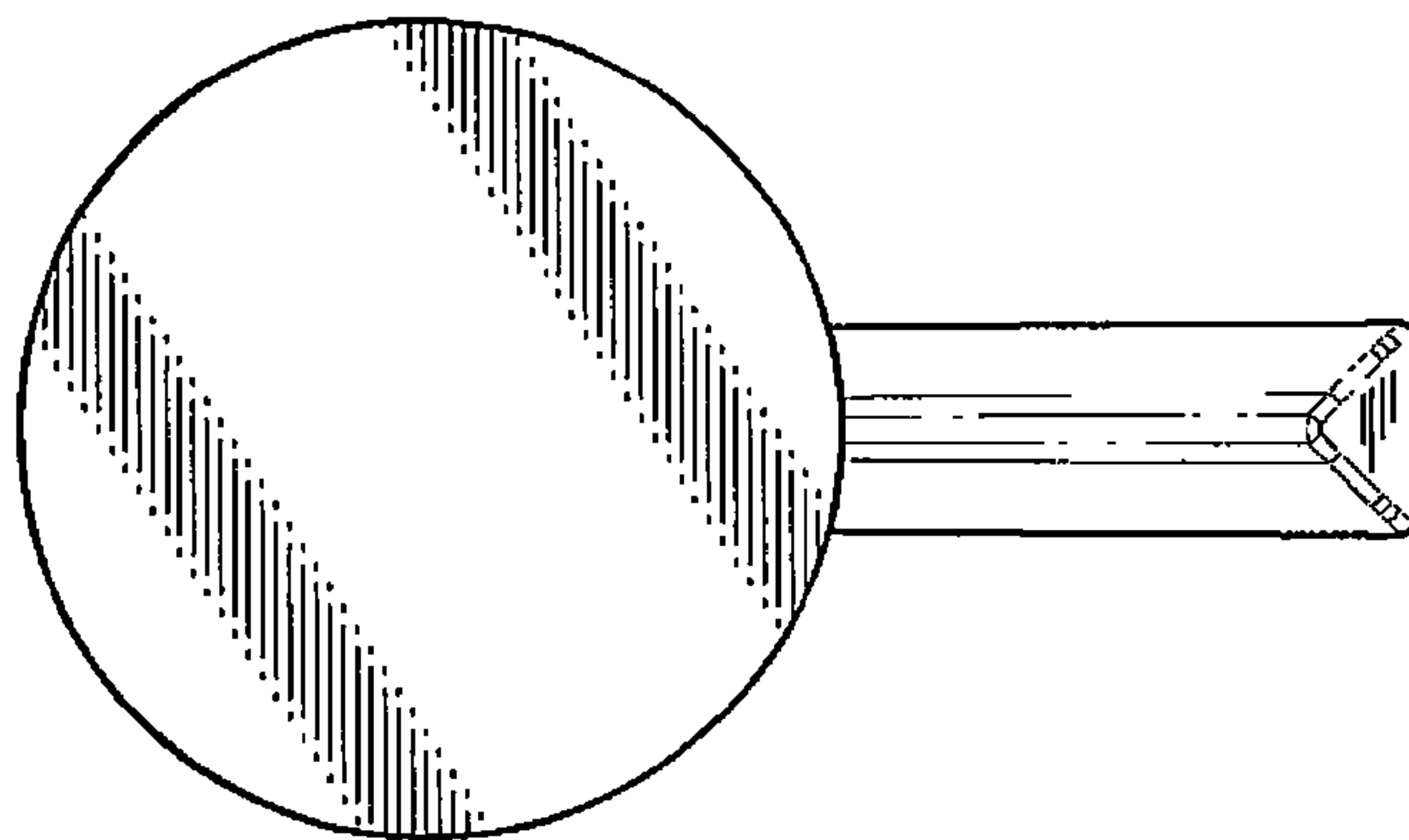


Fig-3

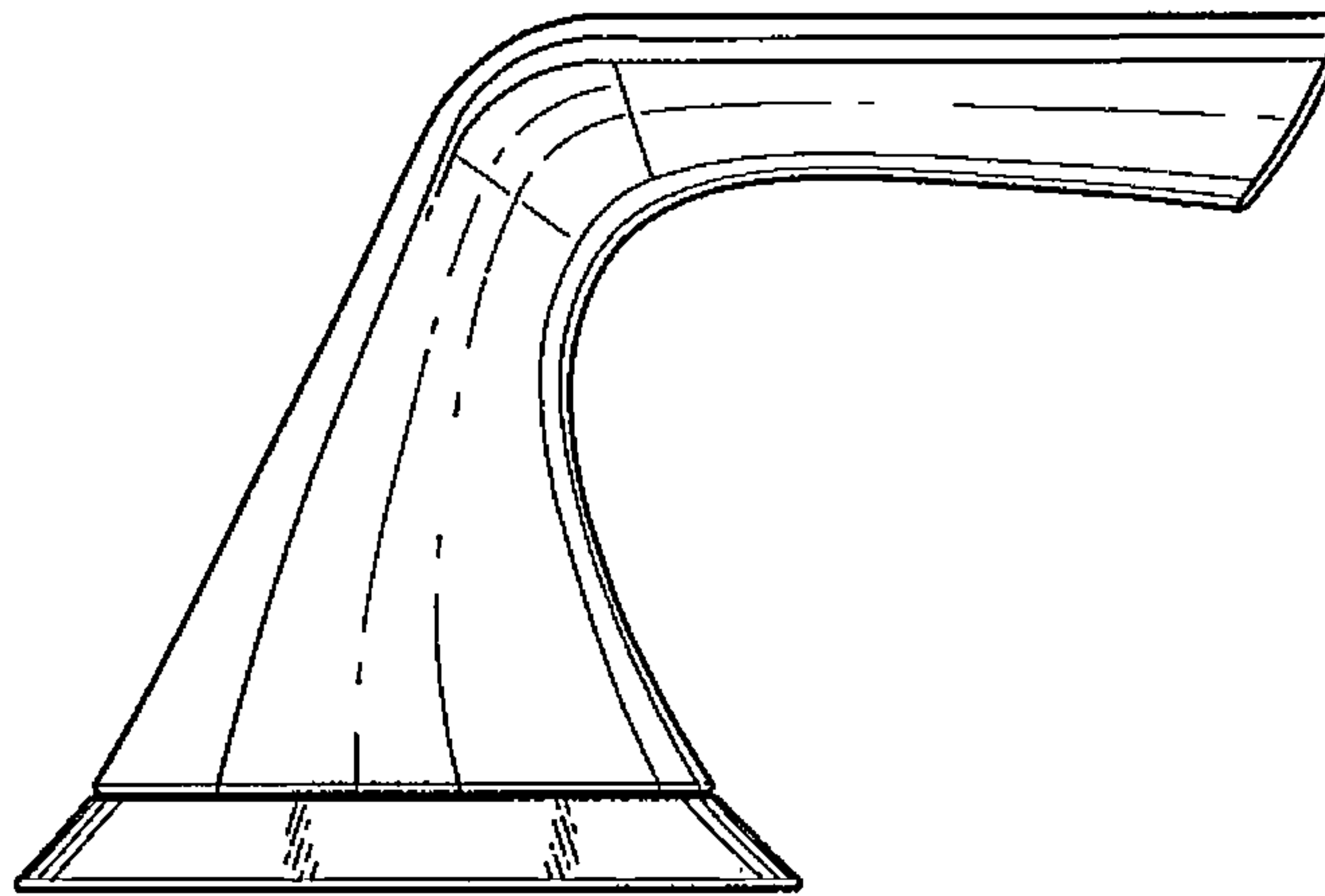


Fig-4

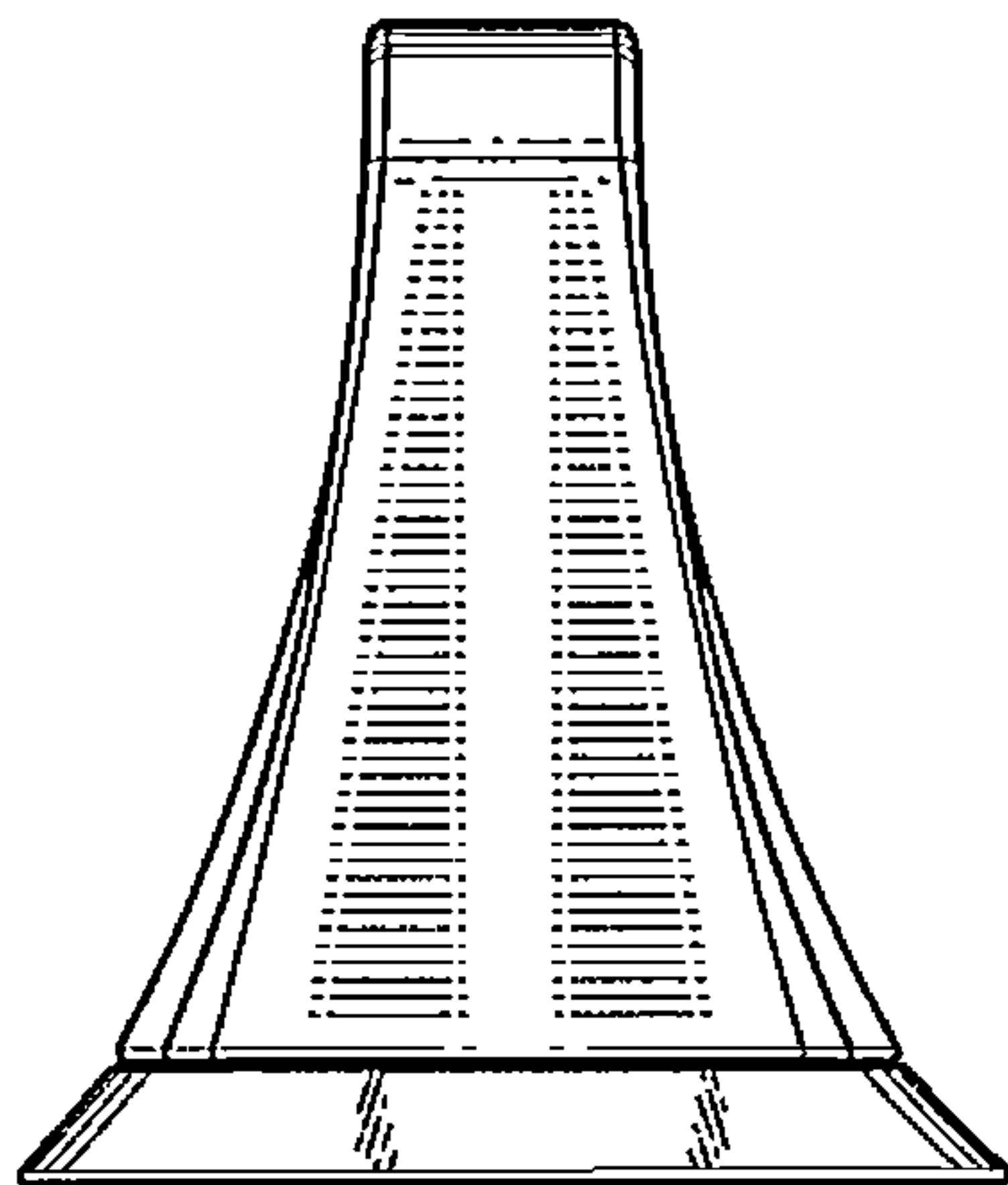


Fig-5

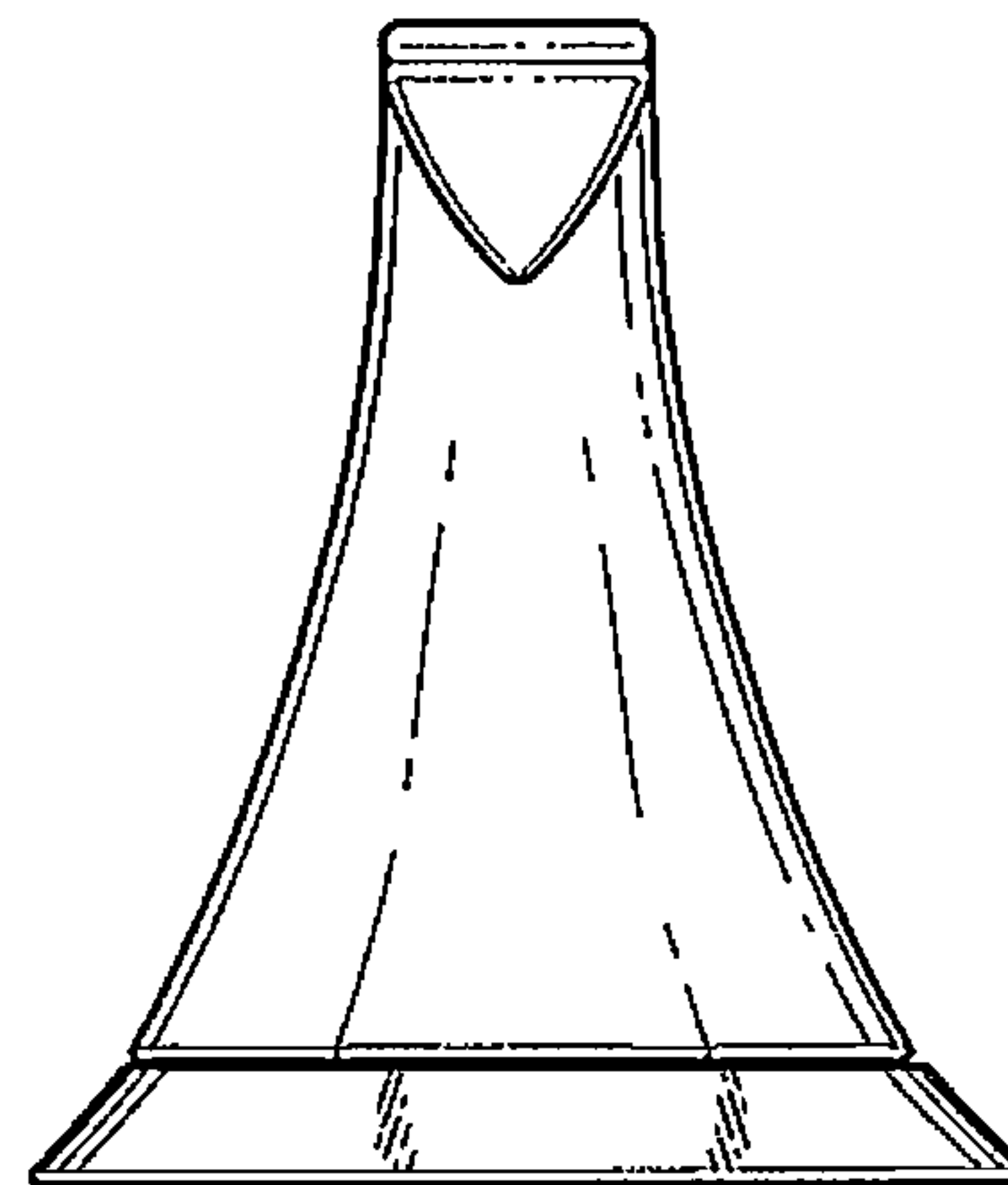


Fig-6