



US00D685881S

(12) **United States Design Patent**  
**Fritz**

(10) **Patent No.:** **US D685,881 S**

(45) **Date of Patent:** **\*\* Jul. 9, 2013**

(54) **FAUCET ARM**

6,820,291 B1 \* 11/2004 Weaver ..... 4/675  
D534,990 S \* 1/2007 Zhou ..... D23/238  
D651,284 S \* 12/2011 Flowers et al. .... D23/243

(71) Applicant: **Masco Corporation of Indiana,**  
Indianapolis, IN (US)

\* cited by examiner

(72) Inventor: **Seth Fritz,** Carmel, IN (US)

*Primary Examiner* — Robert Delehanty

(73) Assignee: **Masco Corporation of Indiana,**  
Indianapolis, IN (US)

(74) *Attorney, Agent, or Firm* — Edgar A. Zarins; Nirav D. Parikh; Lora J. Graentzdoerffer

(\*\*) Term: **14 Years**

(57) **CLAIM**

The ornamental design for a faucet arm, as shown and described.

(21) Appl. No.: **29/444,751**

**DESCRIPTION**

(22) Filed: **Feb. 4, 2013**

(51) **LOC (9) Cl.** ..... **23-01**

(52) **U.S. Cl.**  
USPC ..... **D23/249**

(58) **Field of Classification Search**  
USPC ..... D23/238–243, 249; 4/675–678; 137/801  
See application file for complete search history.

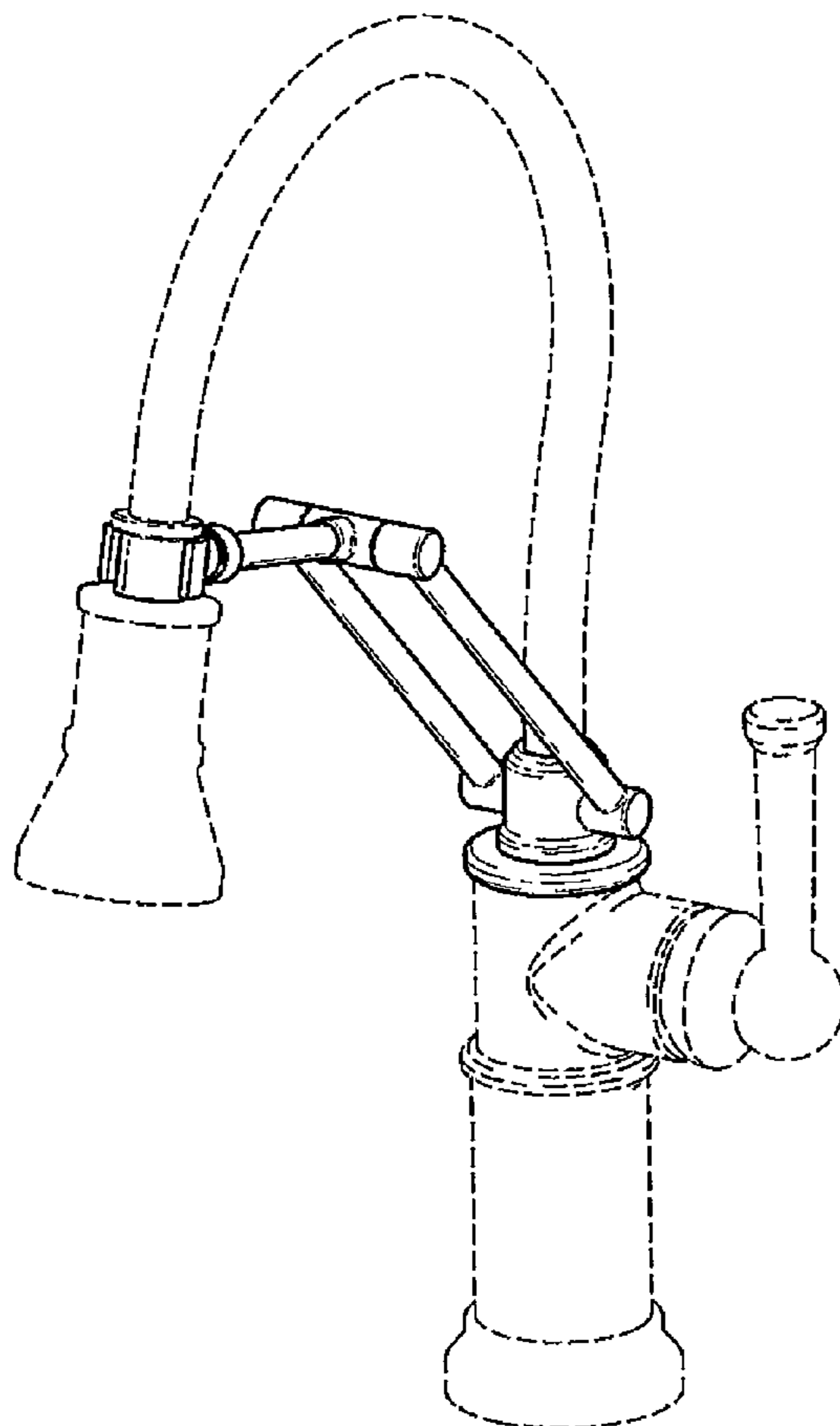
FIG. 1 is a perspective view of a faucet arm showing my new design;  
FIG. 2 is a rear perspective view thereof;  
FIG. 3 is a right side view thereof;  
FIG. 4 is a front elevational view thereof;  
FIG. 5 is a top plan view thereof; and,  
FIG. 6 is a left side view thereof.  
The broken lines showing portions of a faucet are included for illustrative purposes only and form no part of the claimed design.

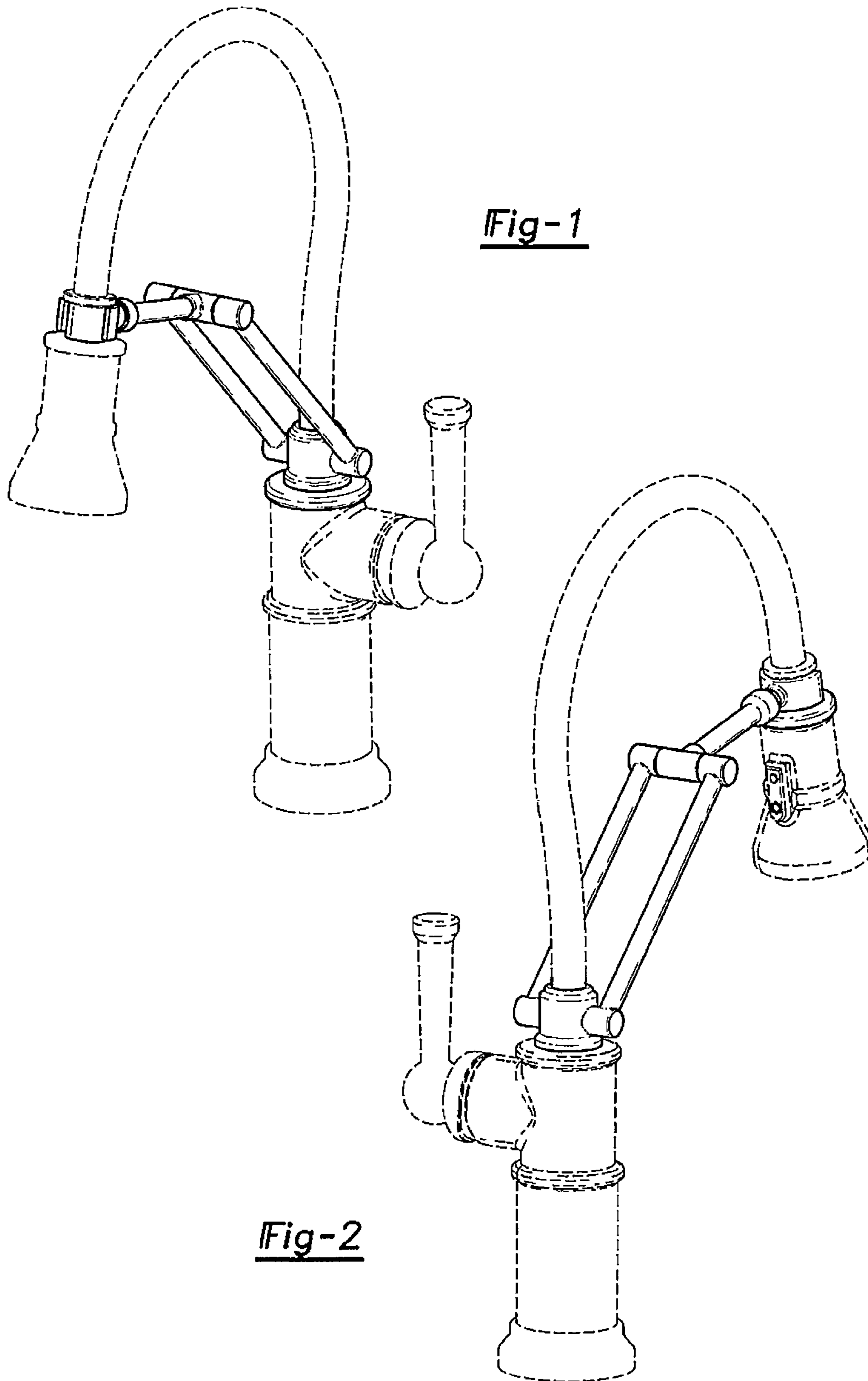
(56) **References Cited**

U.S. PATENT DOCUMENTS

5,492,148 A \* 2/1996 Goughneur et al. .... 137/616.5

**1 Claim, 3 Drawing Sheets**





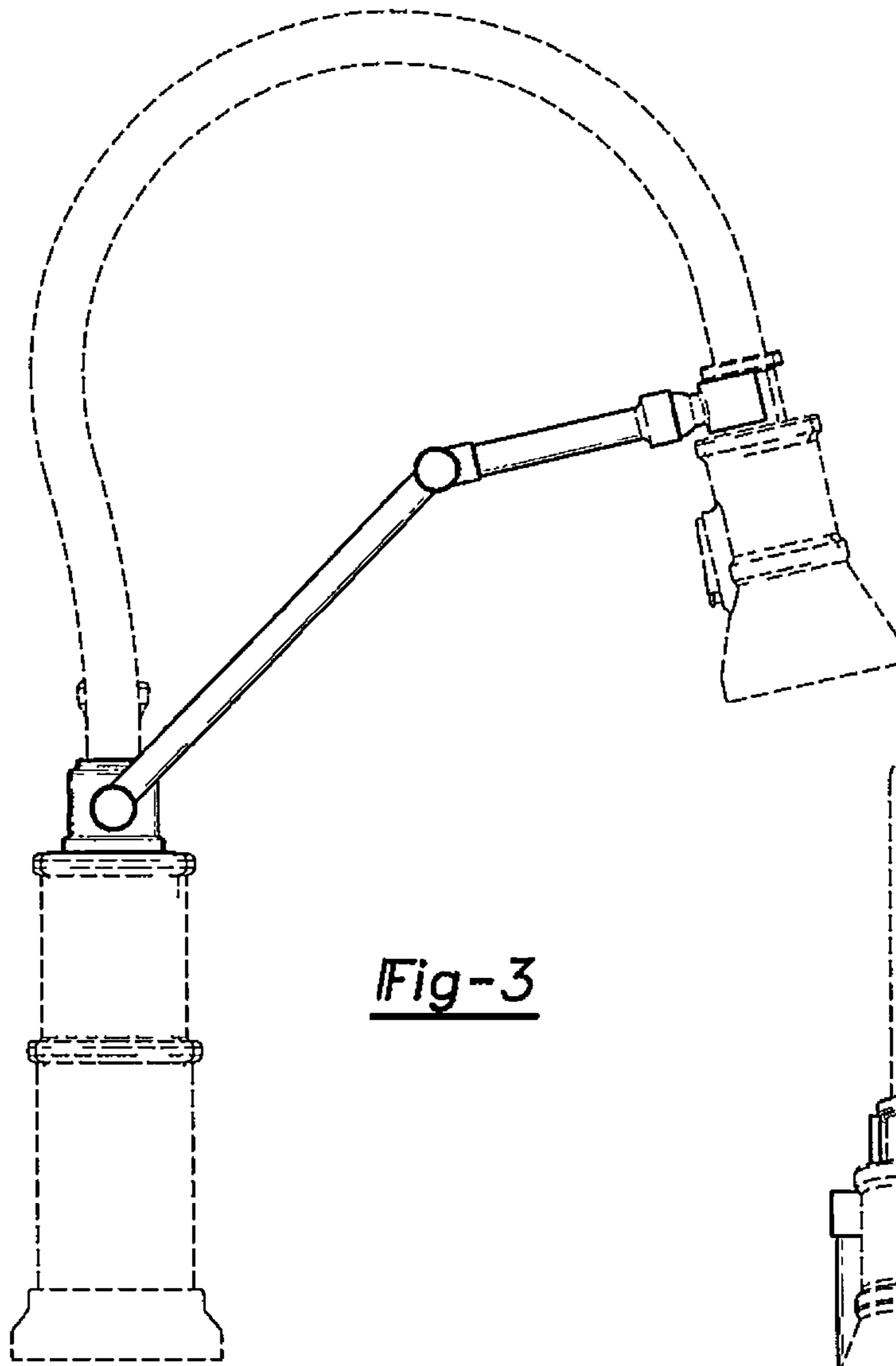


Fig-3

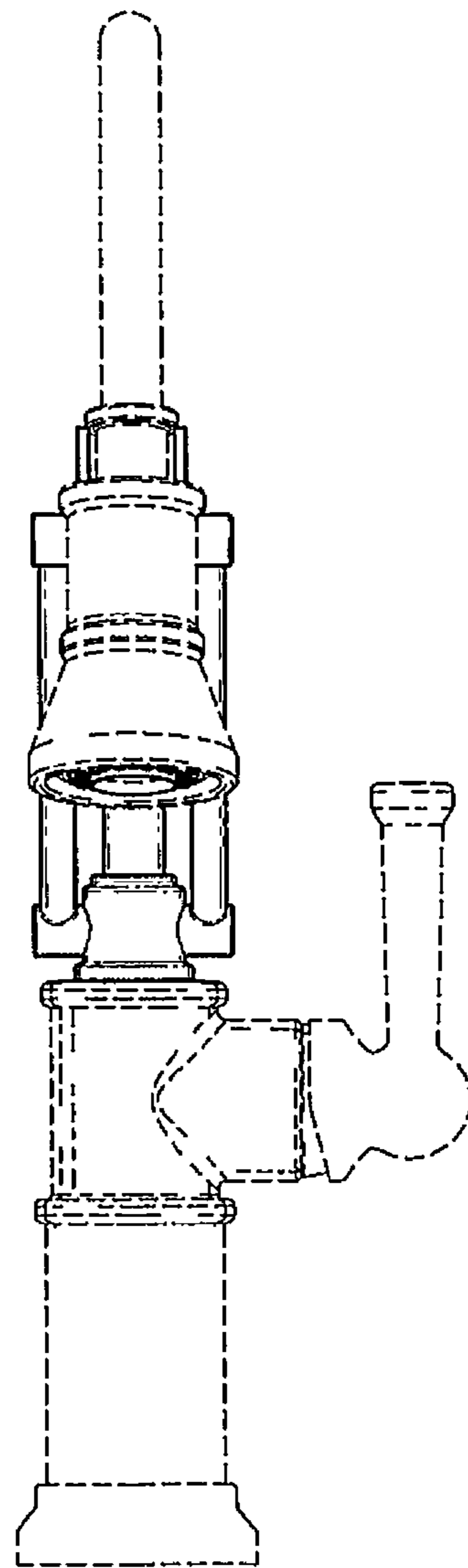


Fig-4

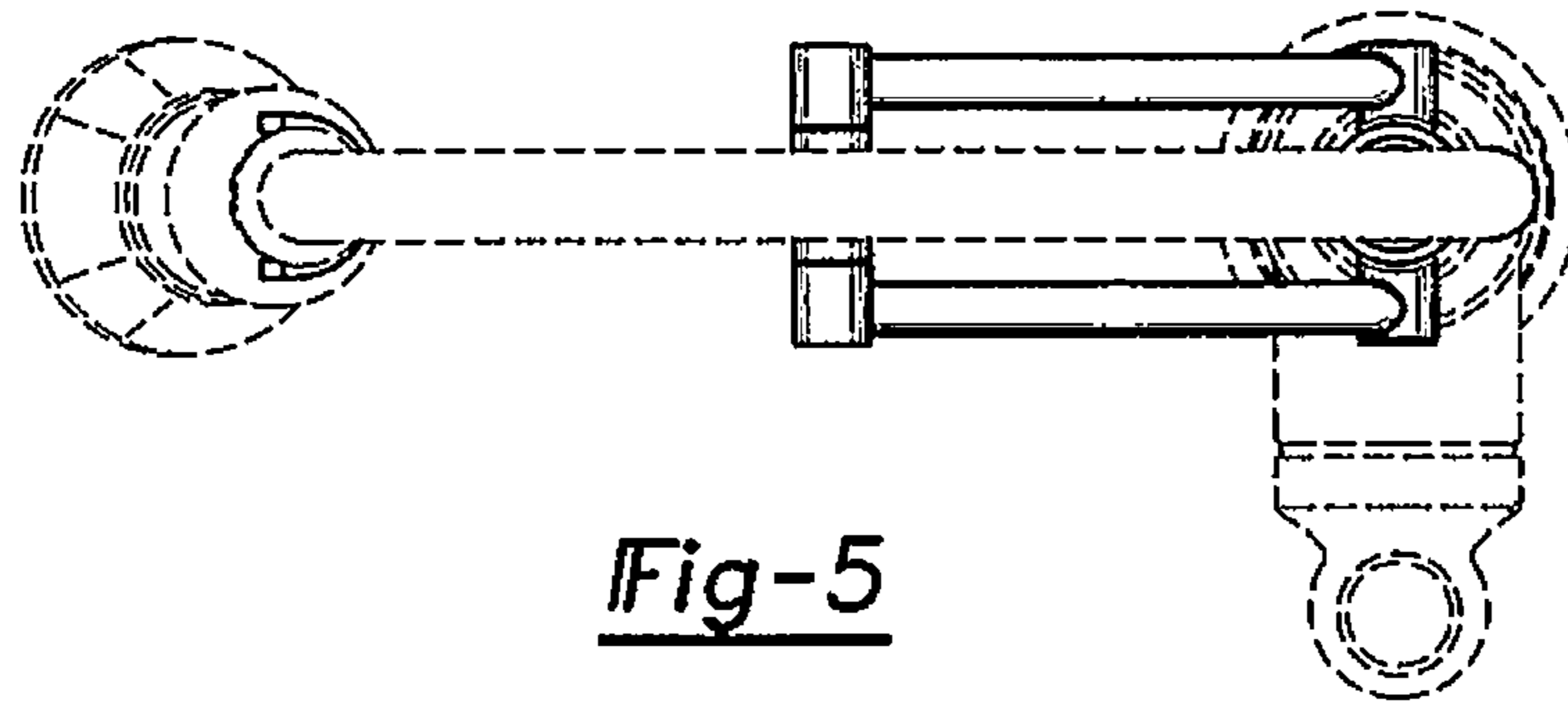


Fig-5

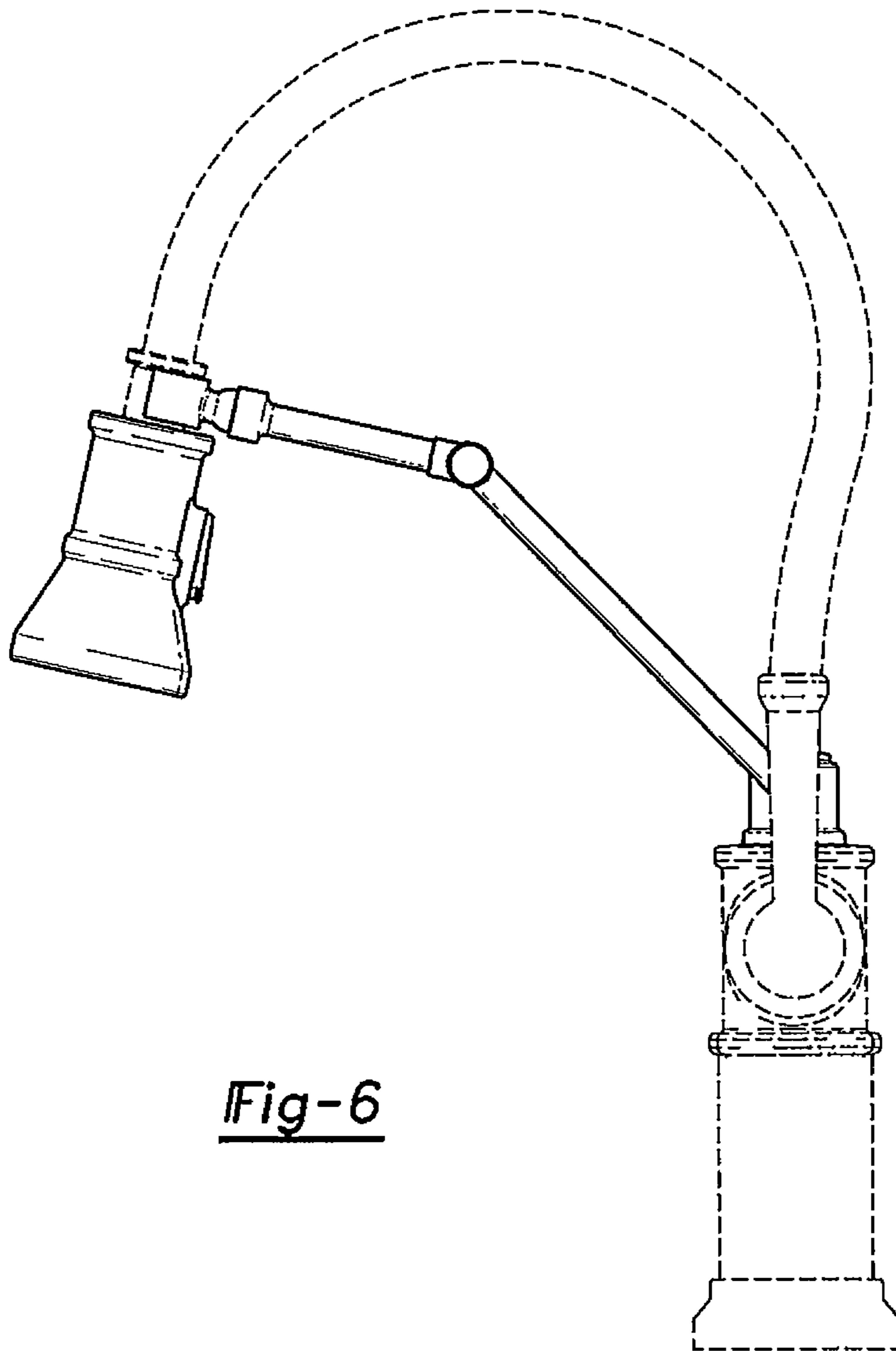


Fig-6

UNITED STATES PATENT AND TRADEMARK OFFICE  
**CERTIFICATE OF CORRECTION**

PATENT NO. : D685,881 S  
APPLICATION NO. : 29/444751  
DATED : July 9, 2013  
INVENTOR(S) : Seth Fritz

Page 1 of 1

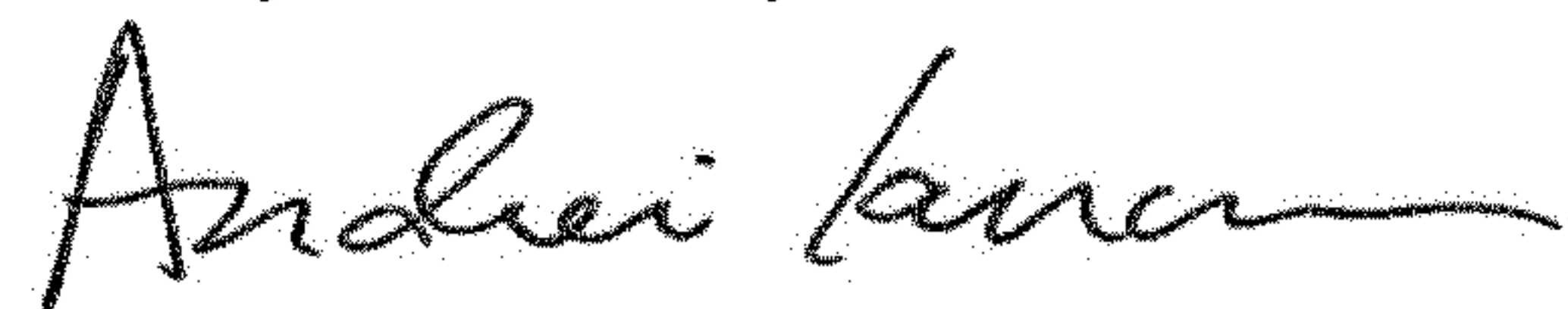
It is certified that error appears in the above-identified patent and that said Letters Patent is hereby corrected as shown below:

On the Title Page

Item (72) Inventor, should read:

--(72) Inventors: Seth Fritz, Carmel, IN (US);  
Celine Kwok Garland, Zionsville, IN (US)--.

Signed and Sealed this  
Twenty-ninth Day of October, 2019



Andrei Iancu  
*Director of the United States Patent and Trademark Office*