



US00D685880S

(12) **United States Design Patent**  
**Fritz**

(10) **Patent No.:** **US D685,880 S**  
(45) **Date of Patent:** **\*\* Jul. 9, 2013**

(54) **FAUCET**

(56) **References Cited**

(71) Applicant: **Masco Corporation of Indiana,**  
Indianapolis, IN (US)

(72) Inventor: **Seth Fritz,** Carmel, IN (US)

(73) Assignee: **Masco Corporation of Indiana,**  
Indianapolis, IN (US)

(\*\*) Term: **14 Years**

(21) Appl. No.: **29/444,752**

(22) Filed: **Feb. 4, 2013**

(51) **LOC (9) Cl.** ..... **23-01**

(52) **U.S. Cl.**  
USPC ..... **D23/242**

(58) **Field of Classification Search**  
USPC ..... D23/238, 241-243, 50, 252, 249,  
D23/255; 4/675-678; 137/801

See application file for complete search history.

U.S. PATENT DOCUMENTS

D472,308	S	*	3/2003	Hundley	.....	D23/255
D523,121	S	*	6/2006	Schaffeld et al.	.....	D23/252
D534,621	S	*	1/2007	Chu et al.	.....	D23/238
D550,330	S	*	9/2007	Mullenmeister	.....	D23/238
D674,882	S	*	1/2013	Kwok	.....	D23/252

\* cited by examiner

*Primary Examiner* — Robert Delehanty

(74) *Attorney, Agent, or Firm* — Edgar A. Zarins; Nirav D. Parikh; Lora J. Graentzdoerffer

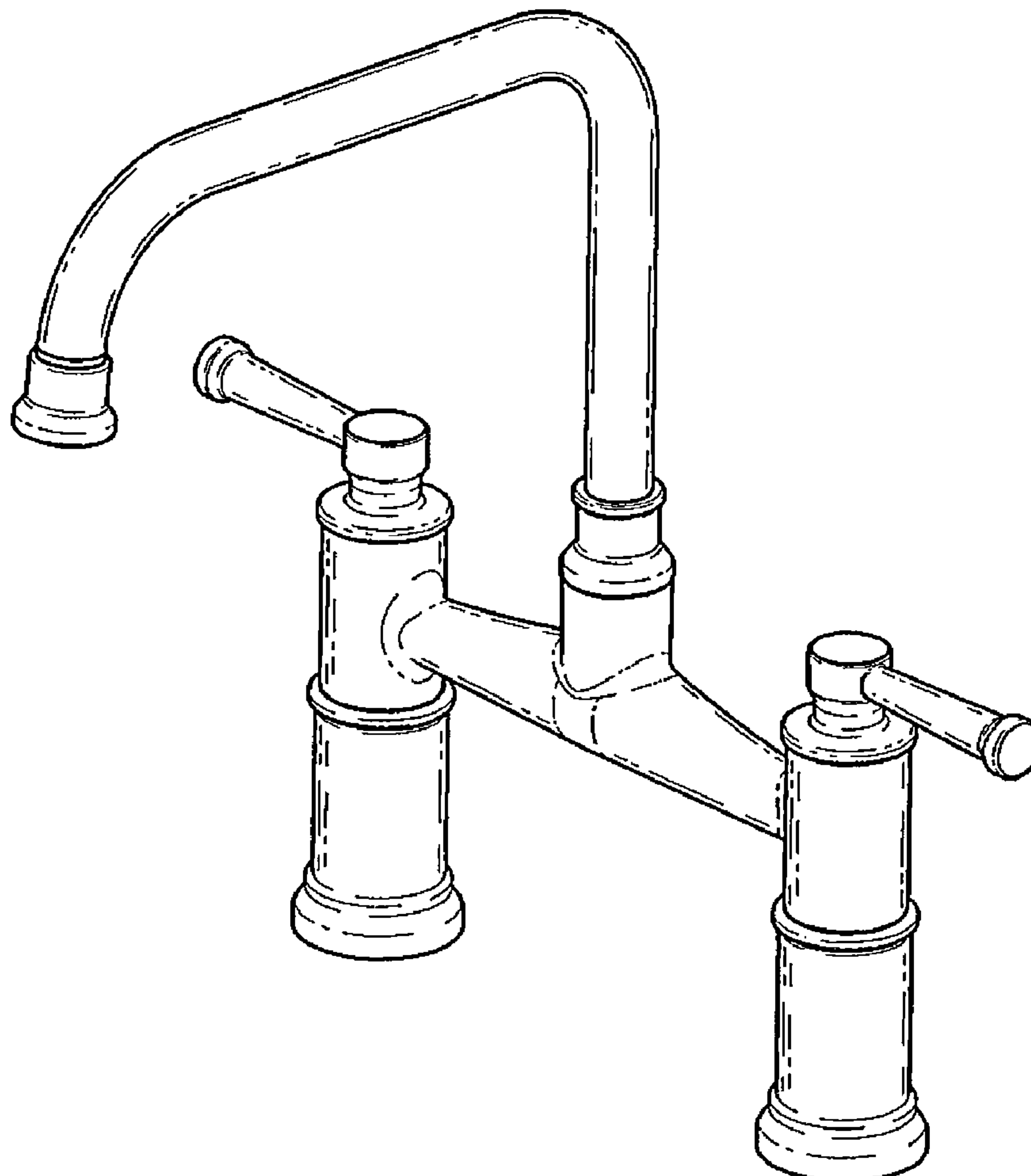
(57) **CLAIM**

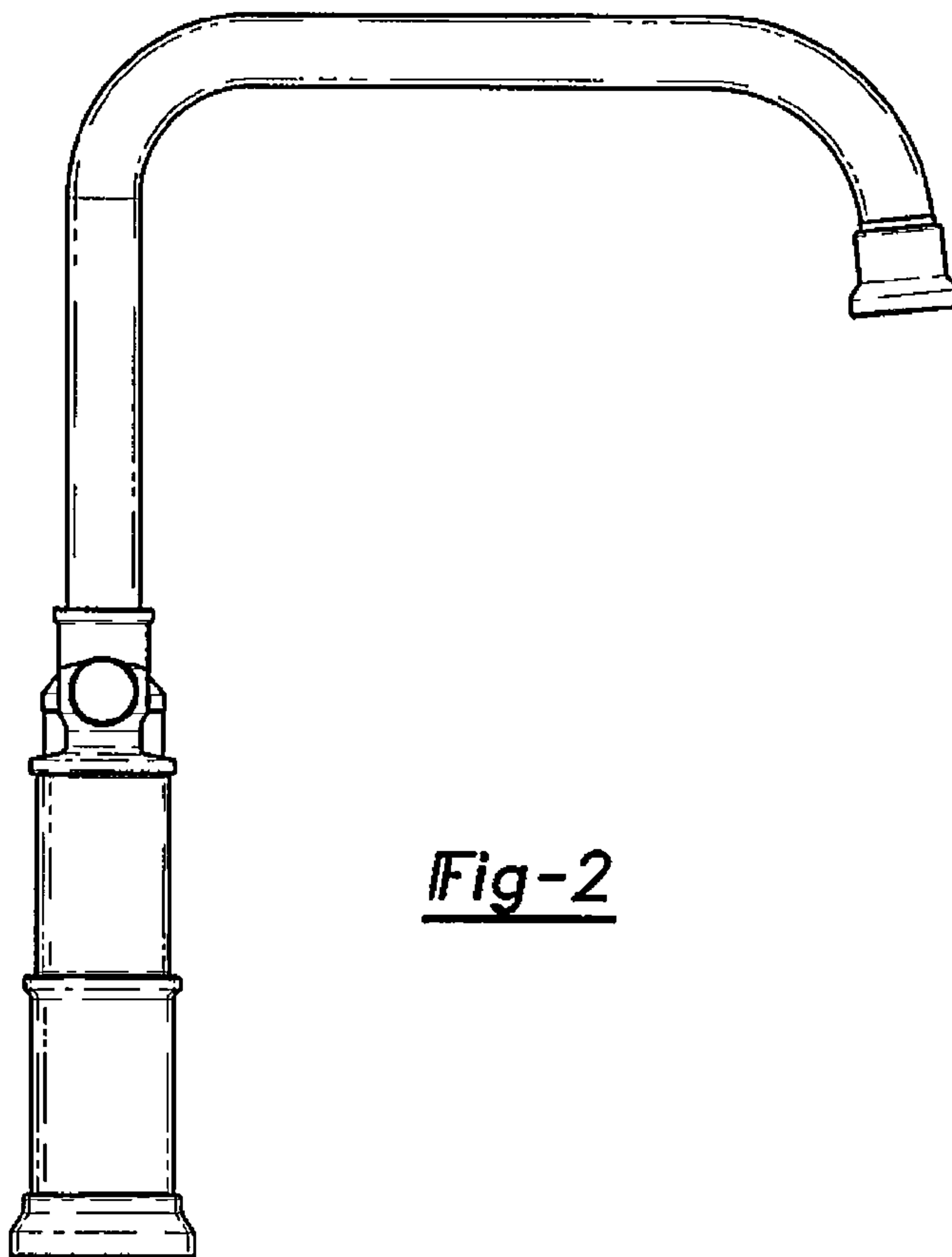
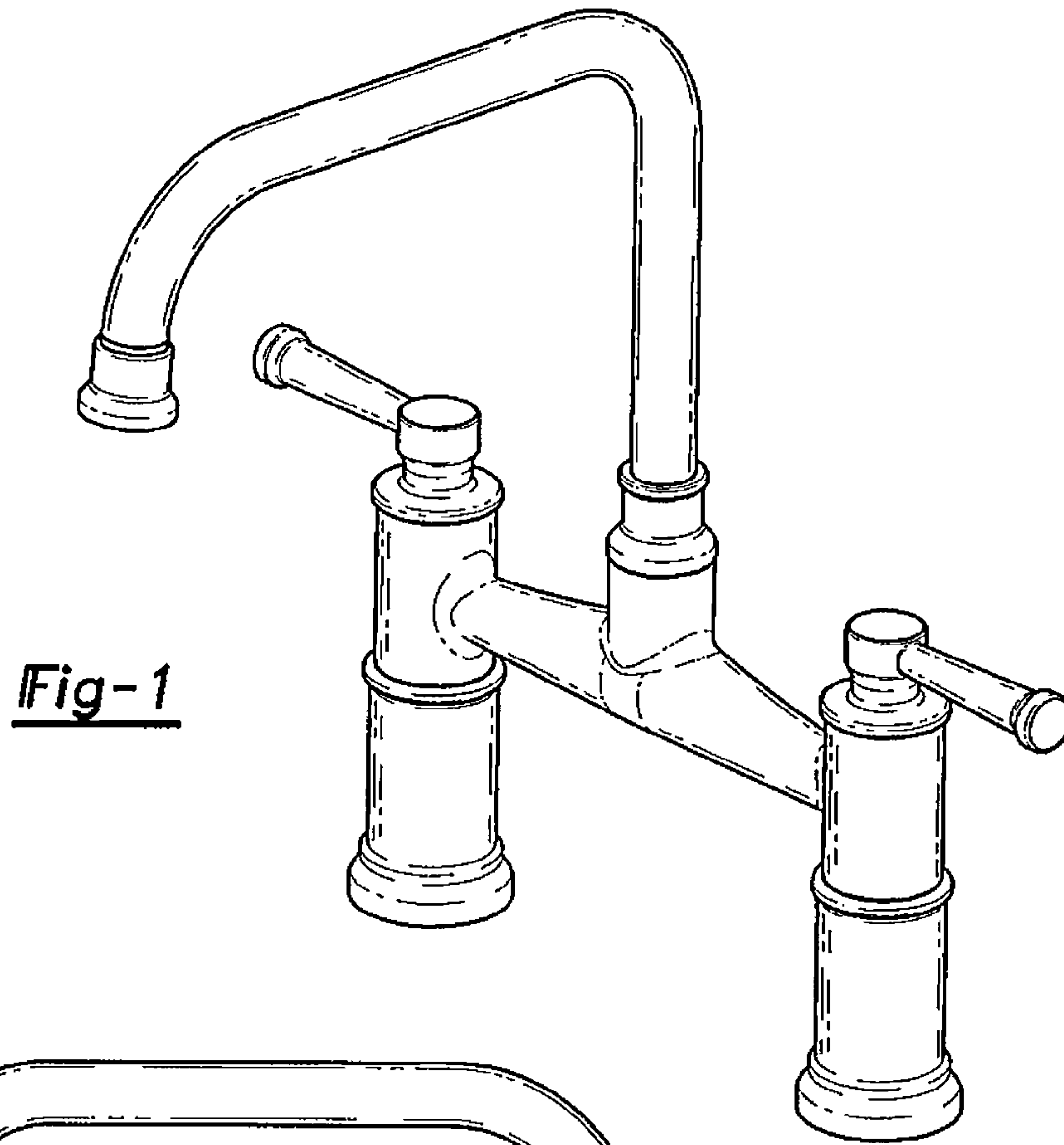
The ornamental design for a faucet, as shown and described.

**DESCRIPTION**

FIG. 1 is a perspective view of a faucet showing my new design;  
FIG. 2 is a first side view thereof, the opposite side being a mirror image of the side shown;  
FIG. 3 is a front elevational view thereof;  
FIG. 4 is a top plan view thereof; and,  
FIG. 5 is a bottom view thereof.

**1 Claim, 3 Drawing Sheets**





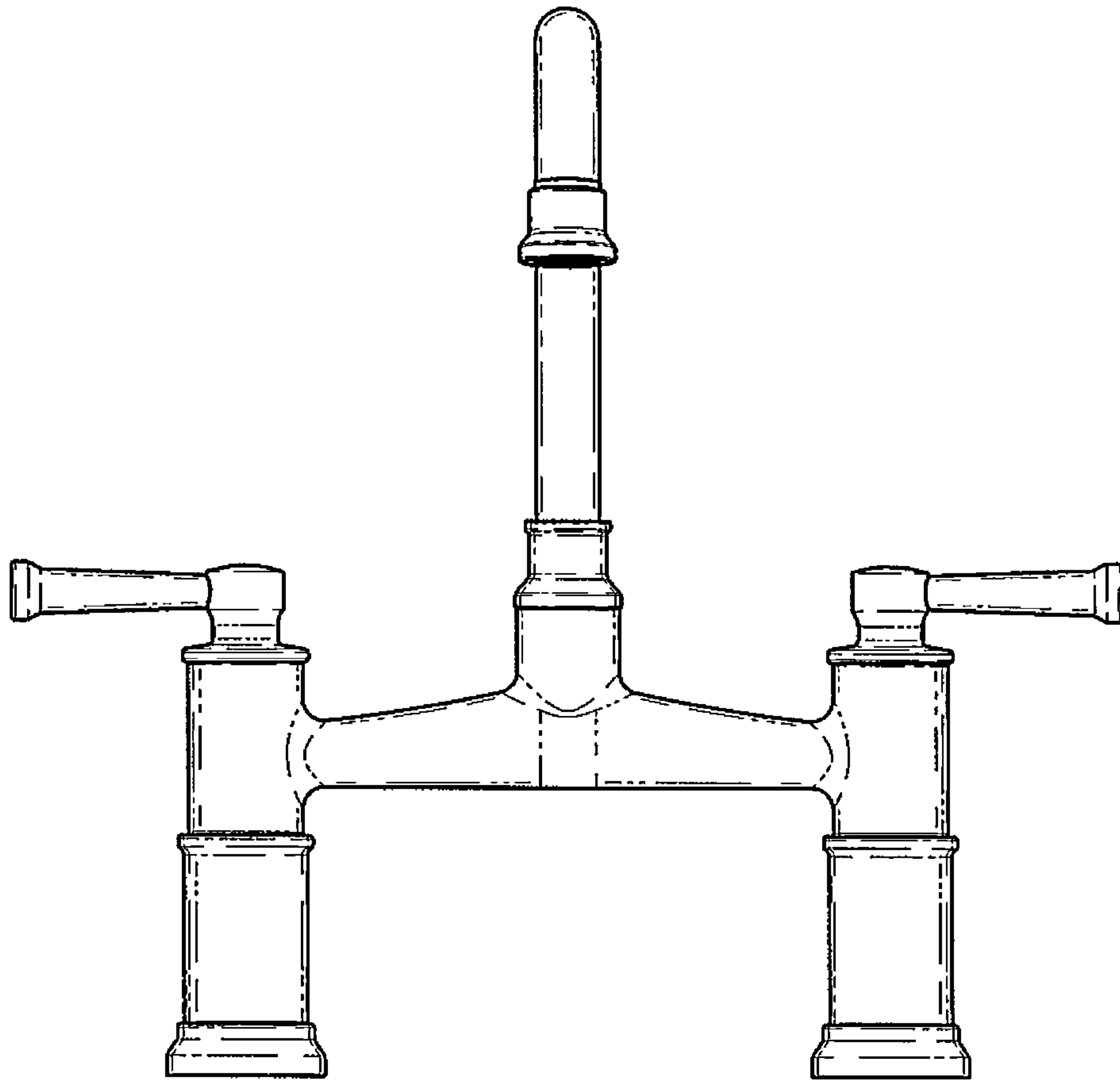


Fig-3

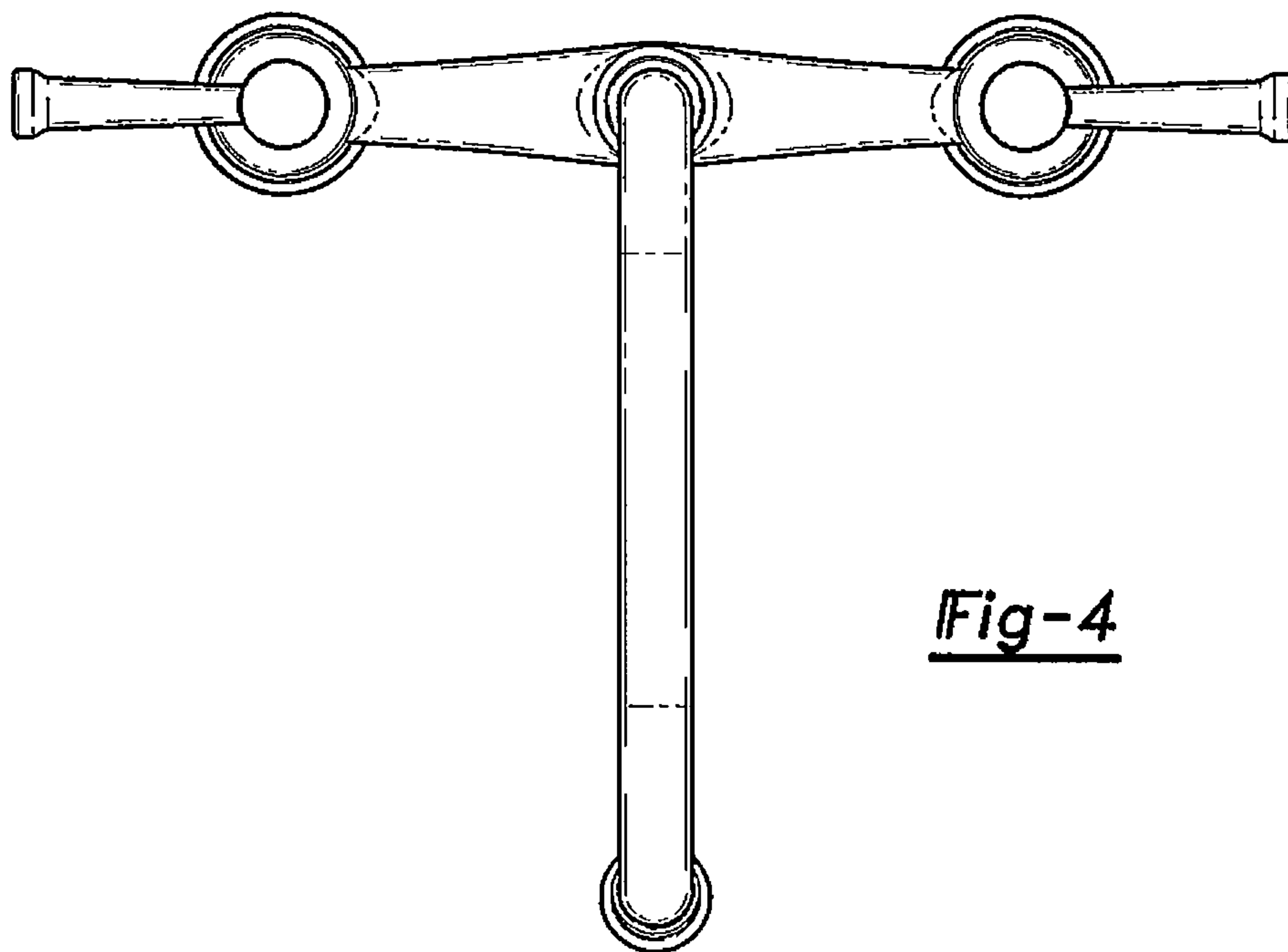


Fig-4

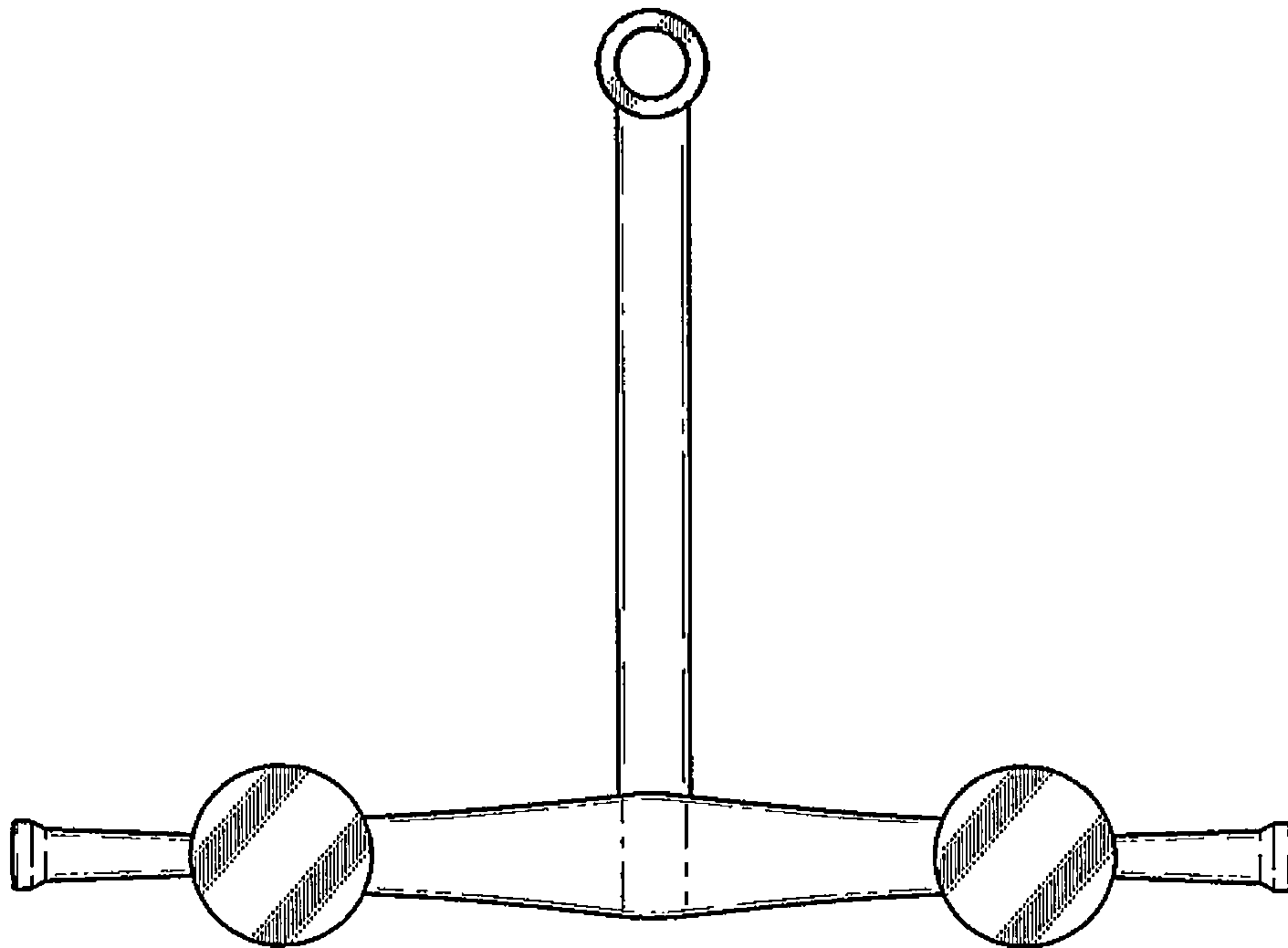


Fig-5