



US00D685878S

(12) **United States Design Patent**  
**Fritz**

(10) **Patent No.:** **US D685,878 S**

(45) **Date of Patent:** **\*\* Jul. 9, 2013**

(54) **FAUCET**

(75) **Inventor:** **Seth Fritz**, Carmel, IN (US)

(73) **Assignee:** **Masco Corporation of Indiana**,  
Indianapolis, IN (US)

(\*\*) **Term:** **14 Years**

(21) **Appl. No.:** **29/430,479**

(22) **Filed:** **Aug. 27, 2012**

(51) **LOC (9) Cl.** ..... **23-01**

(52) **U.S. Cl.**  
USPC ..... **D23/238**

(58) **Field of Classification Search**  
USPC ..... D23/238–243, 50, 252, 249, 255;  
4/675–678; 137/801  
See application file for complete search history.

(56) **References Cited**

**U.S. PATENT DOCUMENTS**

D472,308 S *	3/2003	Hundley	.....	D23/255
D534,622 S *	1/2007	Chu et al.	.....	D23/238
D564,634 S *	3/2008	Kirar	.....	D23/250
D594,934 S *	6/2009	Vu et al.	.....	D23/238

\* cited by examiner

*Primary Examiner* — Robert Delehanty

(74) *Attorney, Agent, or Firm* — Edgar A. Zarins; Nirav D. Parikh; Lora J. Graentzdoerffer

(57) **CLAIM**

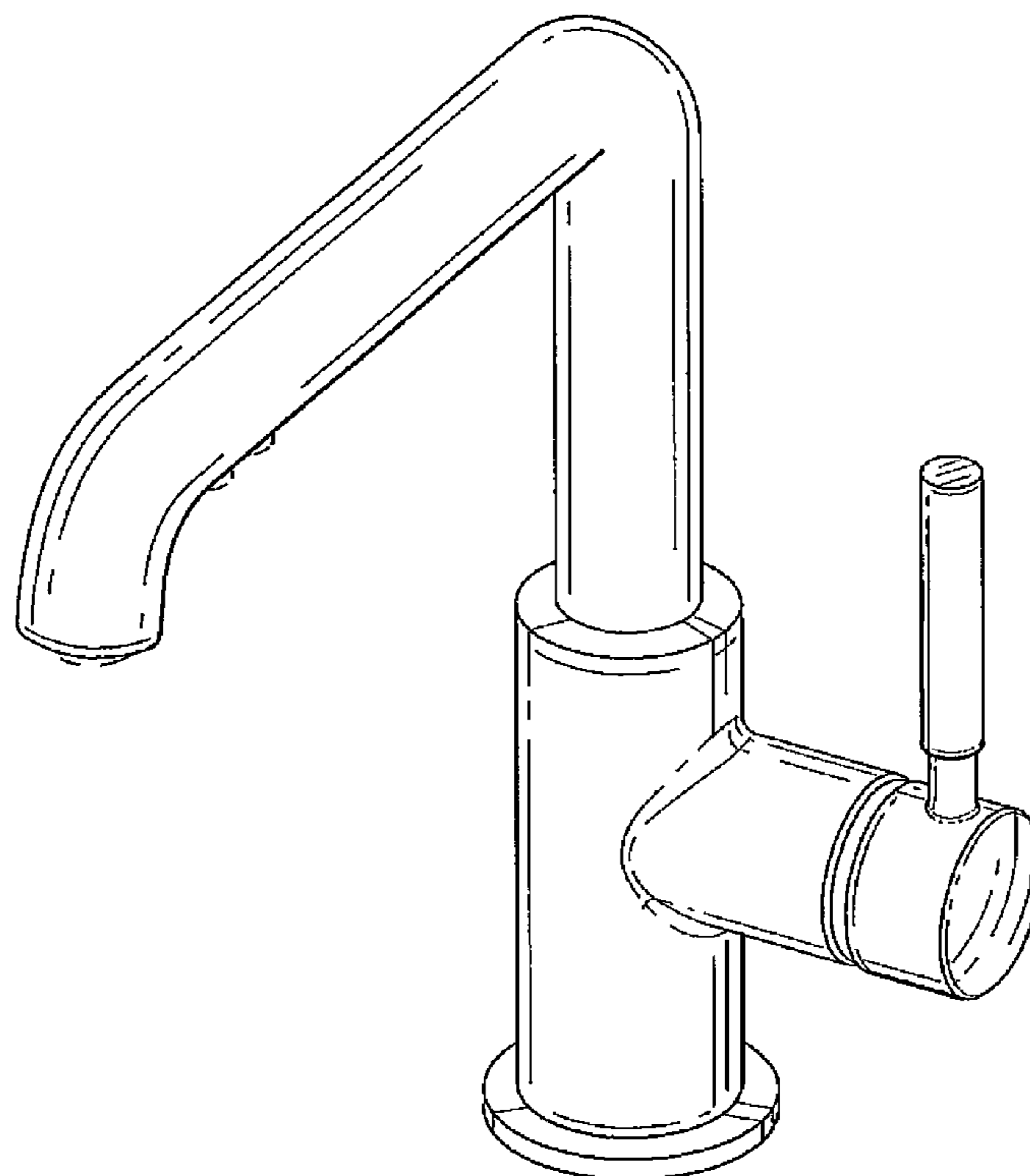
The ornamental design for a faucet, as shown and described.

**DESCRIPTION**

FIG. 1 is a perspective view of a faucet showing my new design;  
 FIG. 2 is a top plan view thereof;  
 FIG. 3 is a right side view thereof;  
 FIG. 4 is a left side view thereof;  
 FIG. 5 is a front elevational view thereof;  
 FIG. 6 is a bottom view thereof; and,  
 FIG. 7 is a rear view thereof.

The broken lines showing portions of a faucet are included for illustrative purposes only and form no part of the claimed design.

**1 Claim, 2 Drawing Sheets**



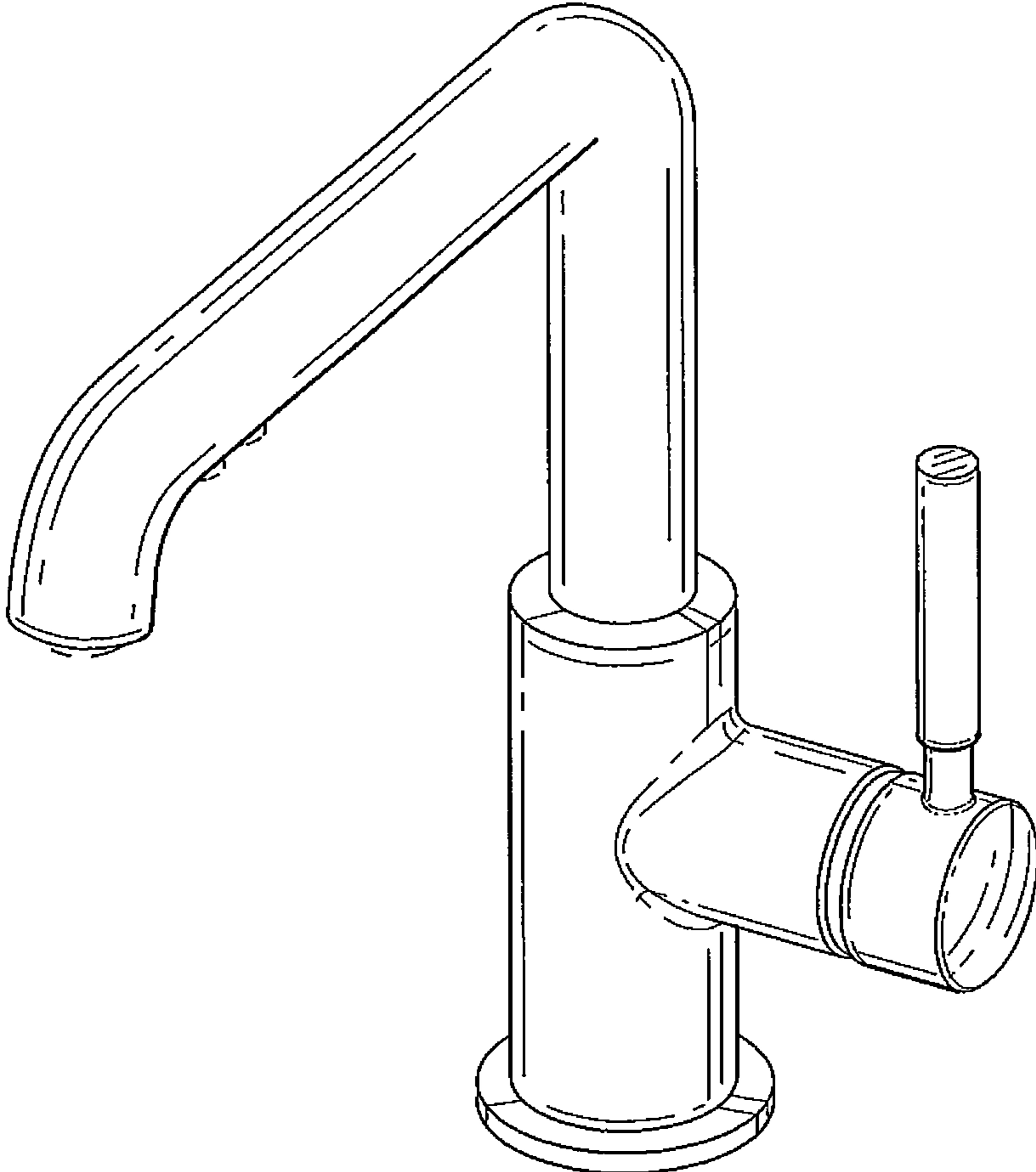


Fig-1

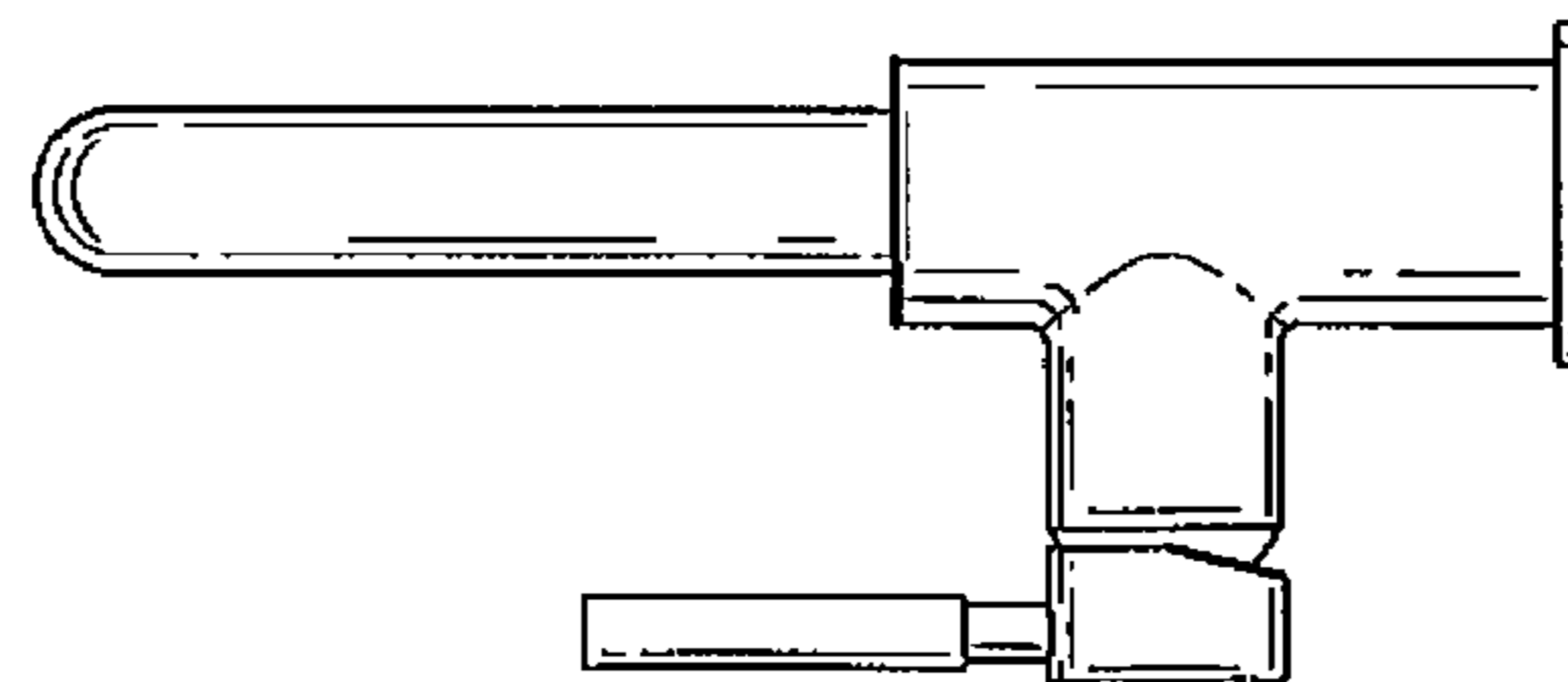
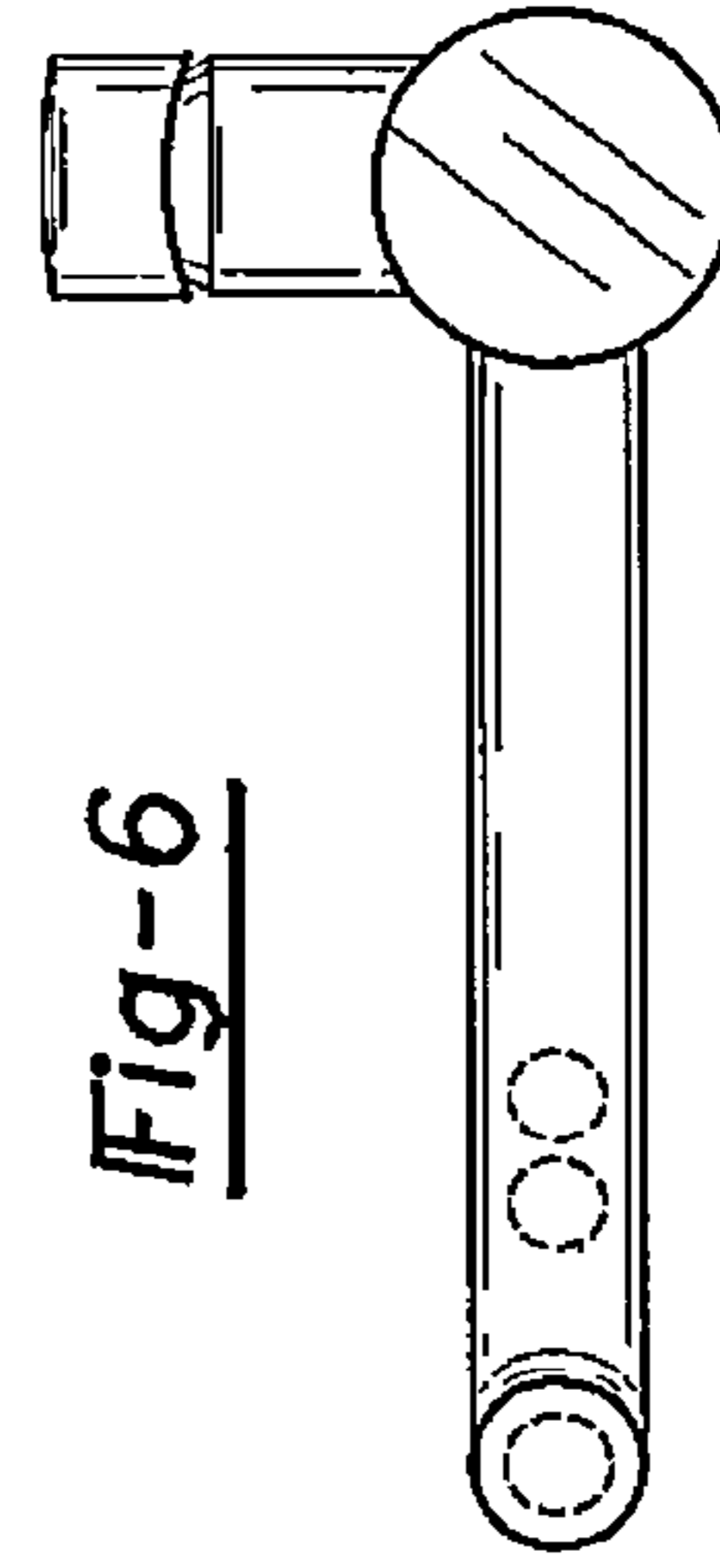
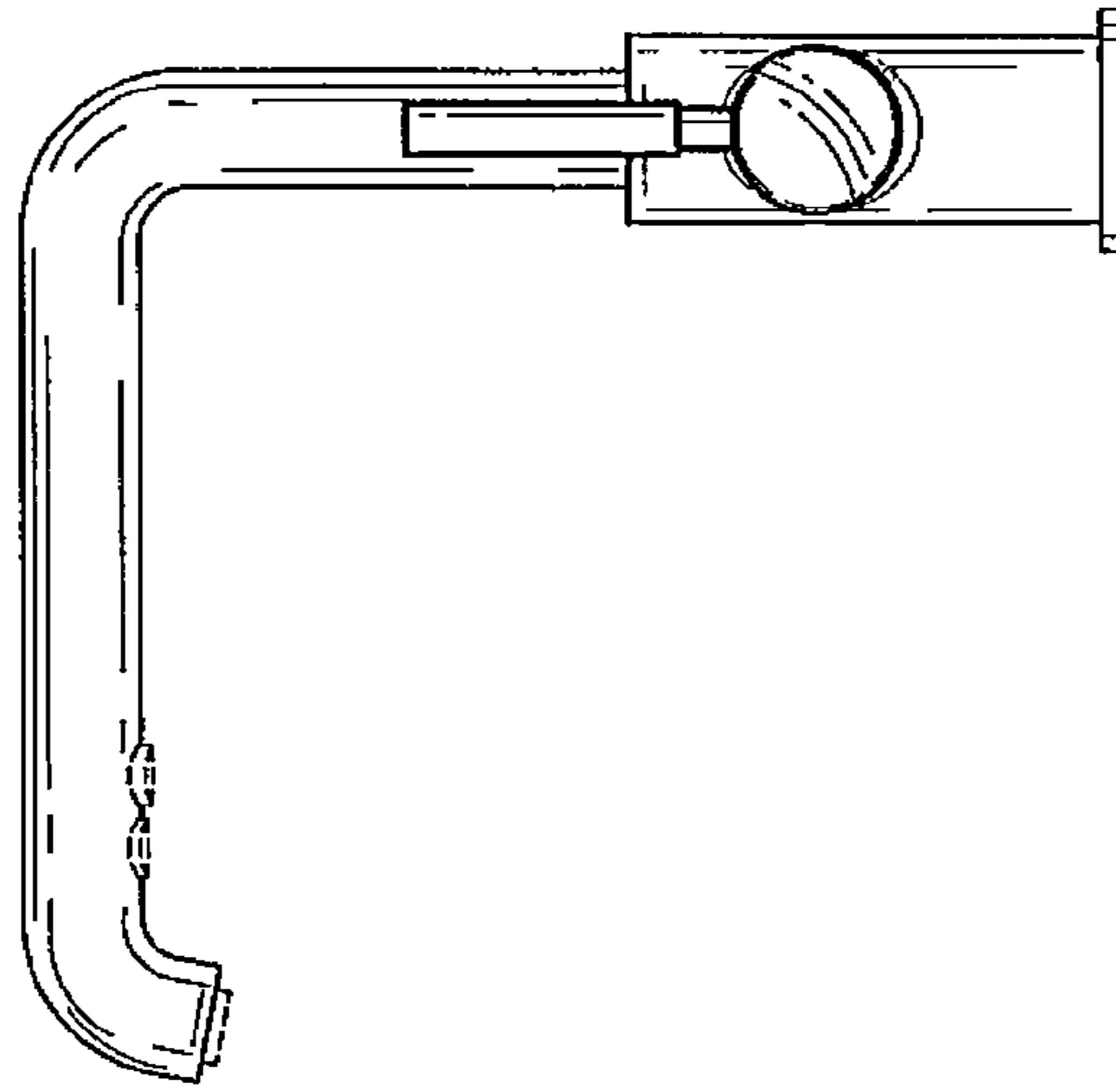
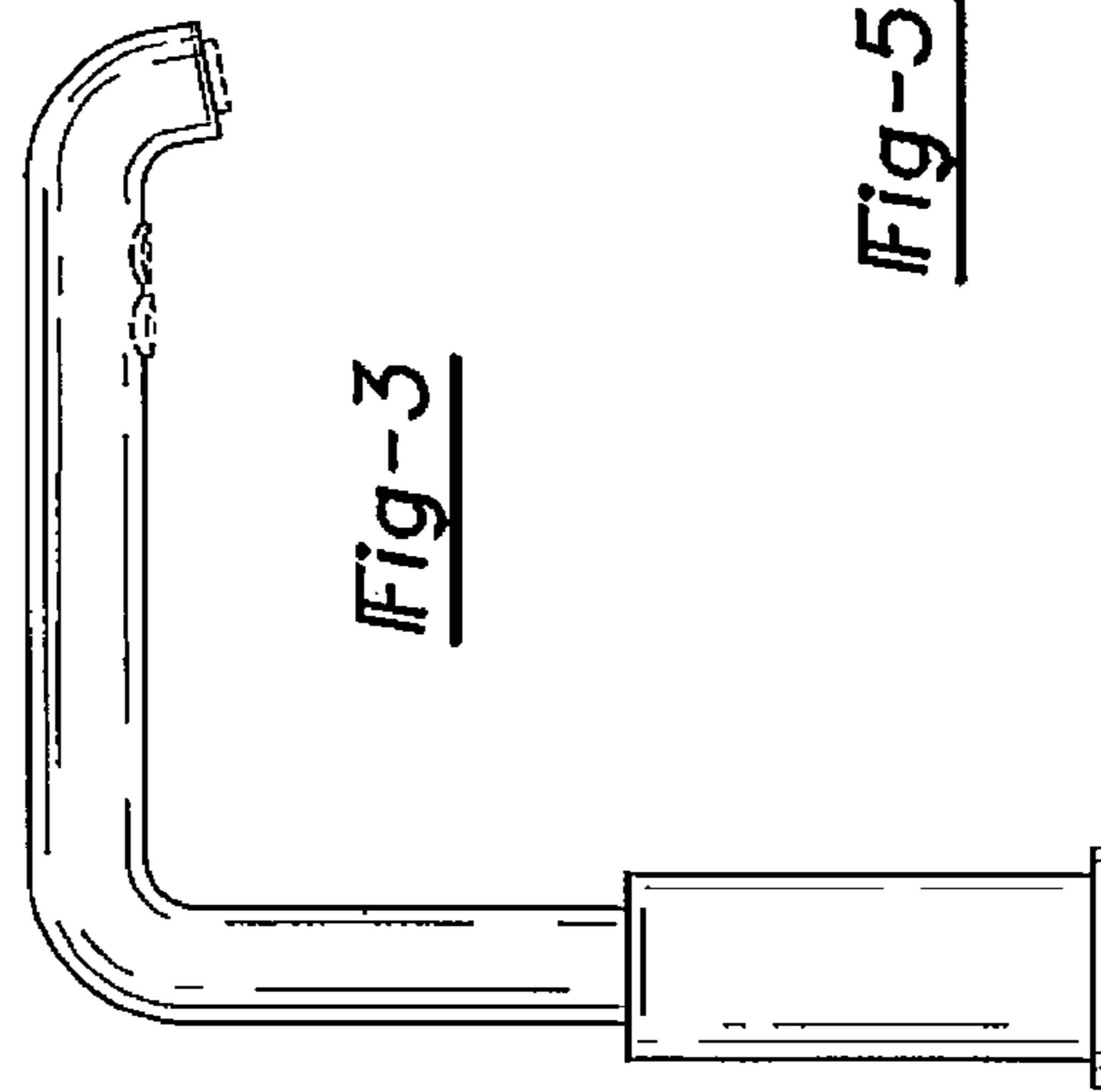
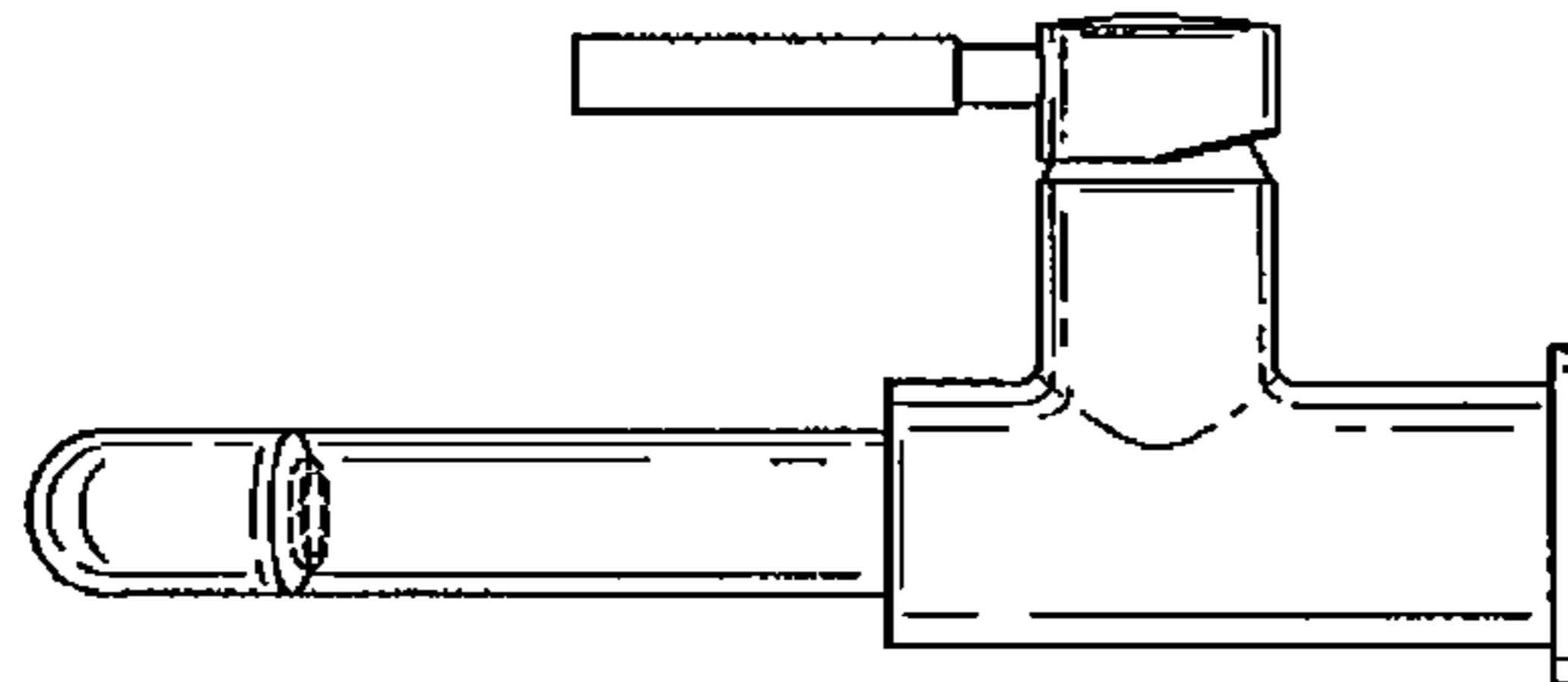
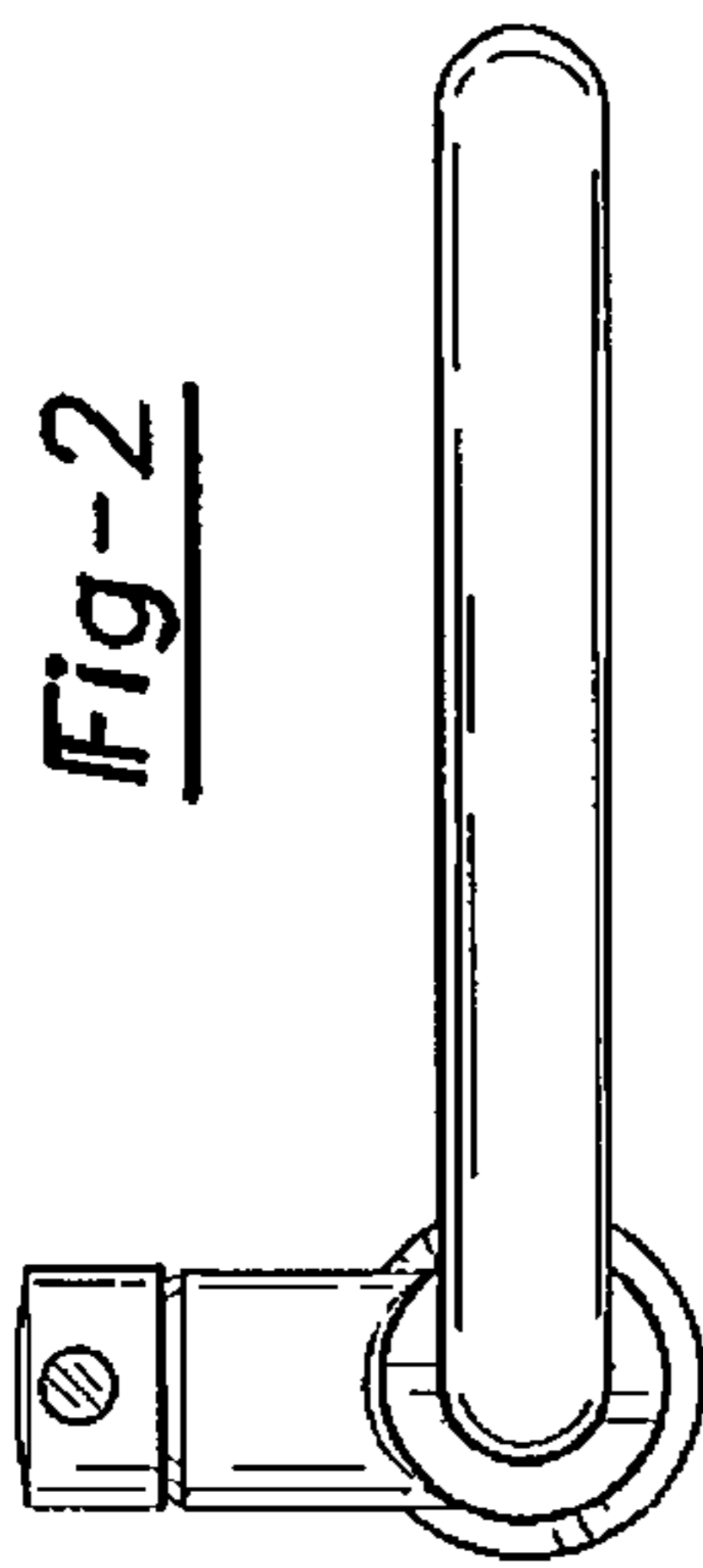


Fig-7