



US00D685877S

(12) **United States Design Patent**
Nemoto

(10) **Patent No.:** **US D685,877 S**

(45) **Date of Patent:** **** Jul. 9, 2013**

(54) **FLUID PRESSURE CYLINDER**

(75) Inventor: **Shinichiro Nemoto**, Tsukubamirai (JP)

(73) Assignee: **SMC Corporation**, Chiyoda-ku, Tokyo (JP)

(**) Term: **14 Years**

(21) Appl. No.: **29/405,383**

(22) Filed: **Nov. 1, 2011**

(30) **Foreign Application Priority Data**

Jul. 19, 2011 (JP) 2011-016419

(51) **LOC (9) Cl.** **23-01**

(52) **U.S. Cl.**
USPC **D23/233**

(58) **Field of Classification Search**
USPC D23/233–237, 244–249; 137/192,
137/202, 430, 433; 166/70, 383
See application file for complete search history.

(56) **References Cited**

U.S. PATENT DOCUMENTS

D31,715 S *	10/1899	Kenney	D23/233
D236,266 S *	8/1975	Holben	D23/235
D260,280 S *	8/1981	Campbell	D23/237
D274,083 S *	5/1984	Burruss	D23/235
D274,746 S *	7/1984	Burruss	D23/235
D326,503 S *	5/1992	Ipsen	D23/233
D368,299 S *	3/1996	Ratledge	D23/235
D395,485 S *	6/1998	Deaso, Sr.	D23/245

D428,113 S *	7/2000	Russo	D23/233
D438,591 S *	3/2001	Froeber	D23/207
D610,232 S *	2/2010	Harada	D23/233
D652,116 S *	1/2012	Fukushima	D23/235
D657,399 S *	4/2012	Nemoto	D15/28
D669,967 S *	10/2012	Andersen et al.	D23/233

* cited by examiner

Primary Examiner — Cynthia Ramirez

(74) *Attorney, Agent, or Firm* — Yokoi & Co., U.S.A., Inc.;
Toshiyuki Yokoi

(57) **CLAIM**

The ornamental design for a fluid pressure cylinder, as shown and described.

DESCRIPTION

FIG. 1 shows a front view of a fluid pressure cylinder showing my new design;

FIG. 2 shows a rear view thereof;

FIG. 3 shows a right side view thereof;

FIG. 4 shows a left side view thereof;

FIG. 5 shows a top view thereof;

FIG. 6 shows a bottom view thereof; and,

FIG. 7 shows a top, front and left side perspective view thereof.

The portions of the design shown in broken lines in FIG. 5 is for the purpose of illustrating the environment only and form no part of the claimed design.

1 Claim, 4 Drawing Sheets

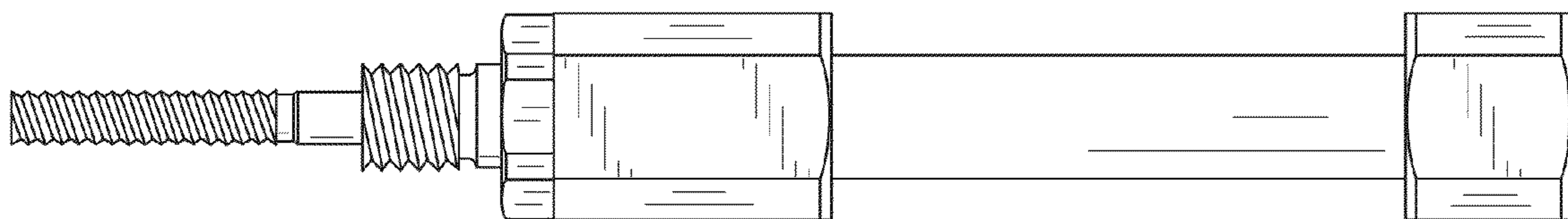


FIG. 1

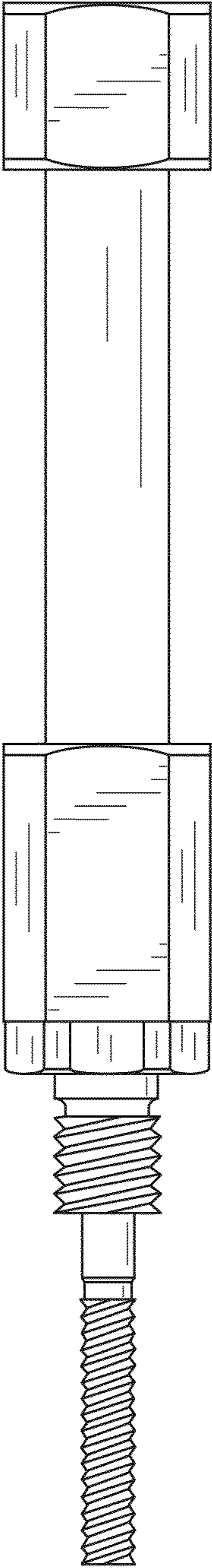


FIG. 2

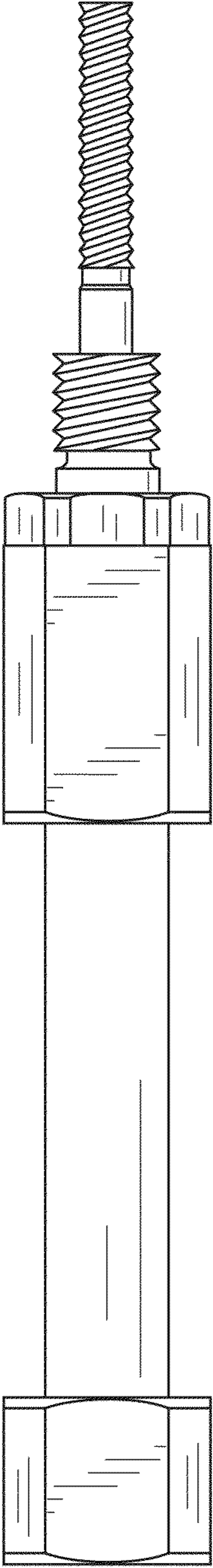


FIG. 3

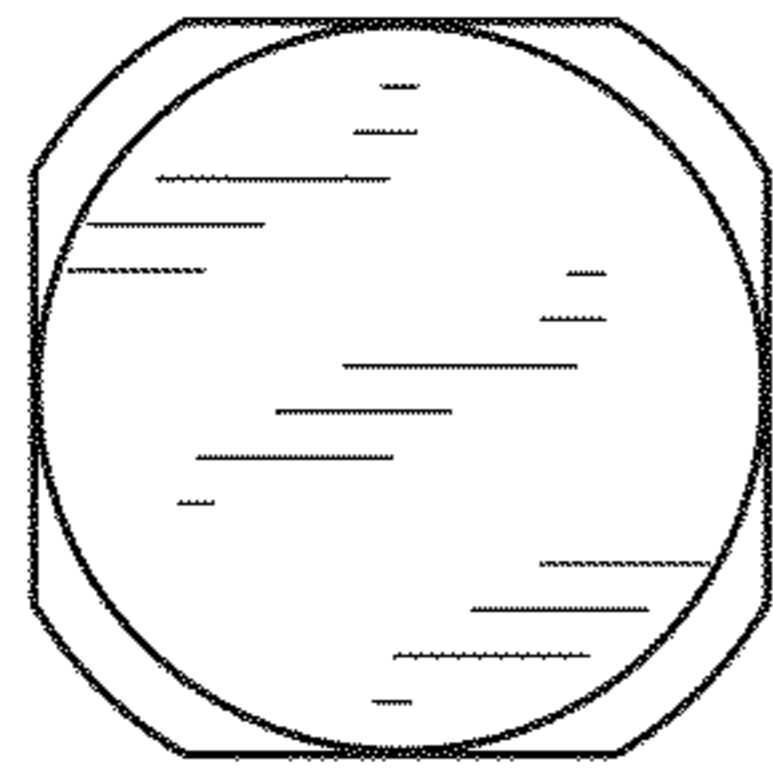


FIG. 4

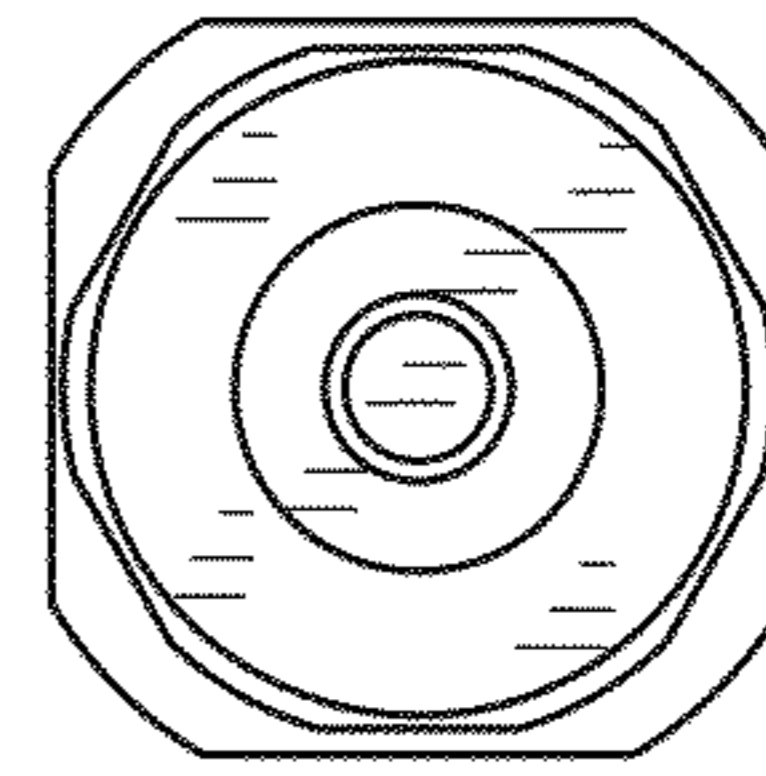


FIG. 5

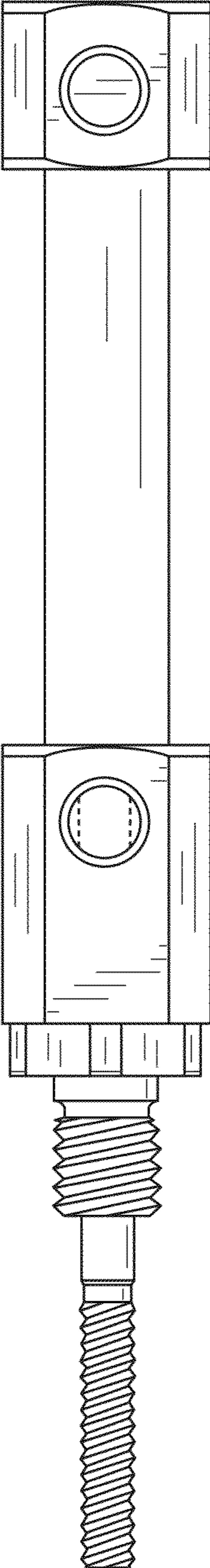


FIG. 6

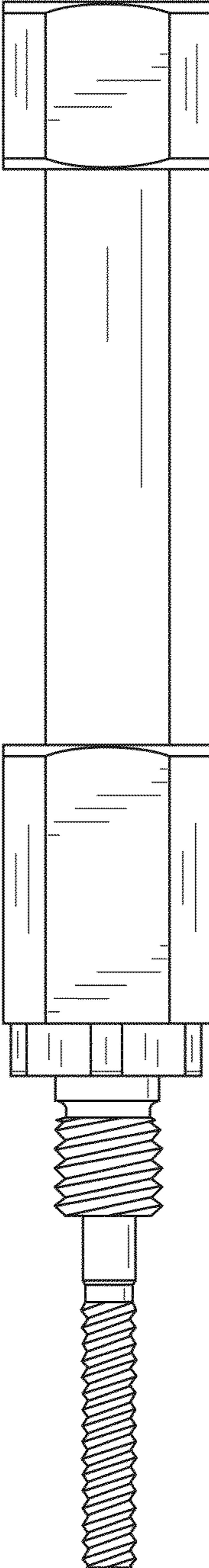


FIG. 7

