



US00D685874S

(12) **United States Design Patent**
Andrews, Jr. et al.

(10) **Patent No.:** **US D685,874 S**
(45) **Date of Patent:** **** Jul. 9, 2013**

(54) **FIREARMS NOISE SUPPRESSOR**
(76) Inventors: **Raymond W. Andrews, Jr.**, Rougemont,
NC (US); **Morris Chadwell Resnik**,
Hillsborough, NC (US)

4,008,538 A 2/1977 Center
4,386,477 A 6/1983 Briley
4,501,189 A 2/1985 Brandl et al.
4,510,843 A 4/1985 Rabatin
4,576,083 A * 3/1986 Seberger, Jr. 89/14.4
4,588,043 A * 5/1986 Finn 181/223
4,643,073 A 2/1987 Johnson

(**) Term: **14 Years**

(Continued)

(21) Appl. No.: **29/416,061**

FOREIGN PATENT DOCUMENTS

(22) Filed: **Mar. 16, 2012**

FR 0981869 1/1951
FR 2101494 3/1972

(51) **LOC (9) Cl.** **22-01**

(52) **U.S. Cl.**

OTHER PUBLICATIONS

USPC **D22/108**

Alan C. Paulson, Silencer: History and Performance, vol. 1: Sporting and Tactical Silencers, 1996, Vaime Noise Suppressor at pp. 185-186, Paladin Press, United States.

(58) **Field of Classification Search**

USPC D22/108; 42/76.01-76.1; 89/14.05-14.5;
124/92

Primary Examiner — Michael A Pratt

See application file for complete search history.

(74) *Attorney, Agent, or Firm* — Olive & Olive, P.A.

(56) **References Cited**

U.S. PATENT DOCUMENTS

37,193 A 12/1862 Alsop
1,013,974 A 1/1912 Vandenbossche
1,017,003 A 2/1912 Kenney
1,021,742 A 3/1912 Moore
1,111,202 A 9/1914 Westfall
1,140,578 A 5/1915 Coulumbe
1,173,687 A 2/1916 Thompson
1,229,675 A 6/1917 Thompson
1,341,363 A 5/1920 Fiala
1,401,667 A 12/1921 Brown
1,427,802 A 9/1922 Goodwin
1,487,214 A 3/1924 Dezendorf
1,487,312 A 3/1924 Bull
2,448,382 A 8/1948 Mason
2,503,491 A 4/1950 Janz
2,868,078 A 1/1959 Jarrett
2,932,915 A 4/1960 Wilson
2,976,638 A 3/1961 Owens
3,164,060 A 1/1965 Dahl
3,483,794 A 12/1969 Packard

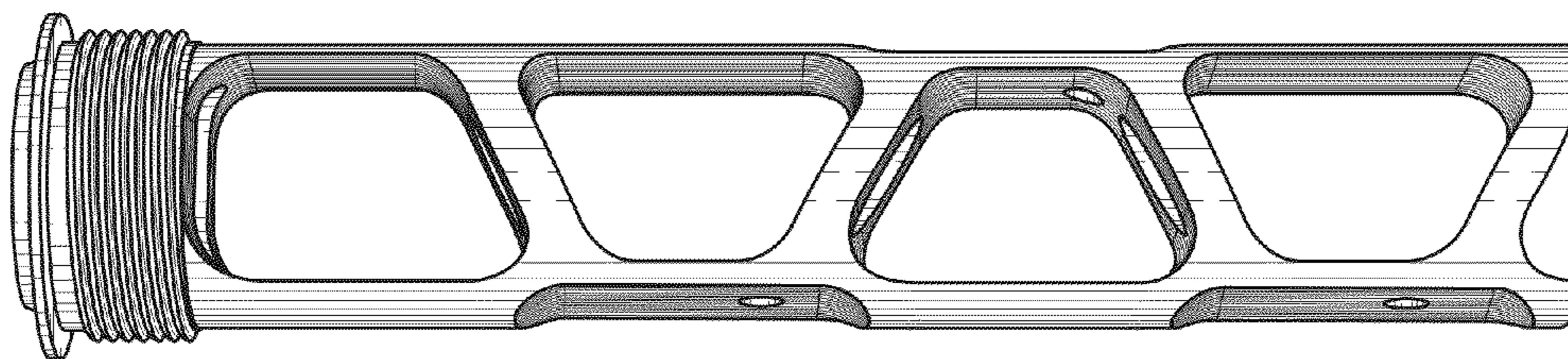
(57) **CLAIM**

The ornamental design for a firearms noise suppressor, as shown and described.

DESCRIPTION

FIG. 1 is a left side perspective view of the firearms noise suppressor showing our design.
FIG. 2 is a right side perspective view of the firearms noise suppressor.
FIG. 3 is a left side elevation view of the firearms noise suppressor, with the right side elevation view being a mirror image of the left side view.
FIG. 4 is a top view of the firearms noise suppressor.
FIG. 5 is a bottom view of the firearms noise suppressor.
FIG. 6 is a rear end view of the firearms noise suppressor; and,
FIG. 7 is a front end view of the firearms noise suppressor.

1 Claim, 3 Drawing Sheets



US D685,874 S

Page 2

U.S. PATENT DOCUMENTS									
4,869,151	A	9/1989	Chahin	D435,623	S *	12/2000	Andrews et al.	D22/108
4,883,808	A	11/1989	Fodor et al.	6,302,009	B1	10/2001	O'Quinn et al.		
4,939,977	A	7/1990	Stroup	6,575,074	B1 *	6/2003	Gaddini	89/14.4
4,974,489	A	12/1990	Fishbaugh	7,412,917	B2 *	8/2008	Vais	89/14.4
5,029,512	A	7/1991	Latka	D594,082	S *	6/2009	O'Quinn	D22/108
5,136,923	A *	8/1992	Walsh, Jr.	7,587,969	B2 *	9/2009	Silvers	89/14.4
5,157,211	A	10/1992	Mossberg	7,600,606	B2 *	10/2009	Brittingham	181/223
5,164,535	A	11/1992	Leasure	7,856,914	B2 *	12/2010	Shults et al.	89/14.4
5,317,825	A	6/1994	Vatterott	8,015,908	B2	9/2011	Kline et al.		
5,448,848	A	9/1995	Moller	D651,680	S *	1/2012	DeGroat	D22/108
5,666,756	A	9/1997	Moller	8,096,222	B2 *	1/2012	Silvers	89/14.4
D415,812	S *	10/1999	Andrews et al.	D657,012	S *	4/2012	Woodell	D22/108
D415,813	S *	10/1999	O'Quinn et al.	2010/0126334	A1	5/2010	Shults et al.		
6,079,311	A *	6/2000	O'Quinn et al.	2011/0220434	A1	9/2011	Silvers		

* cited by examiner

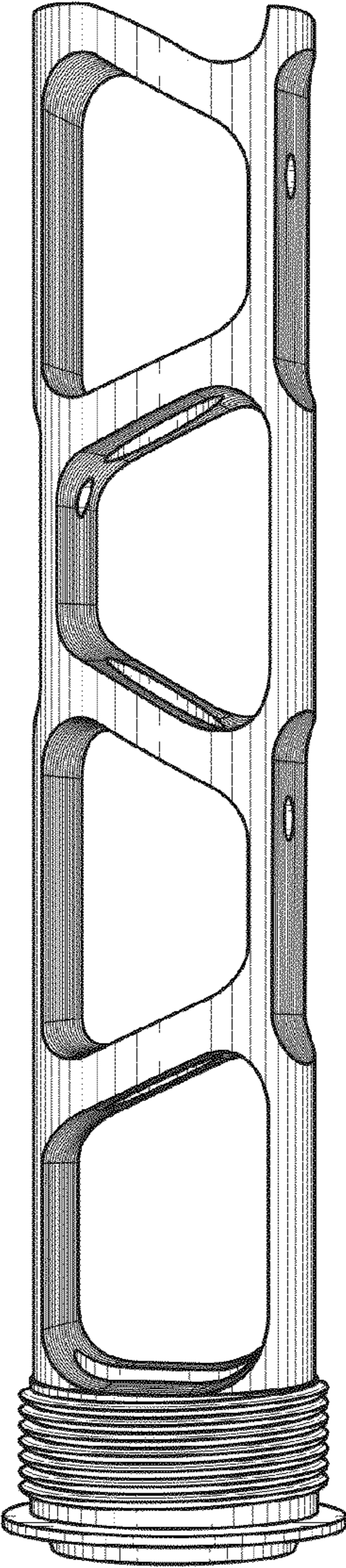


FIG. 1

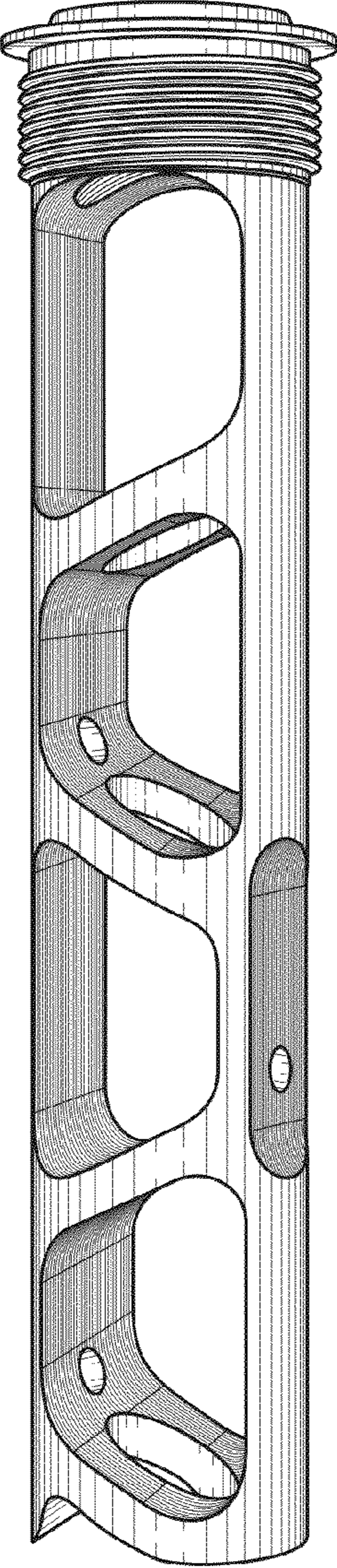


FIG. 2

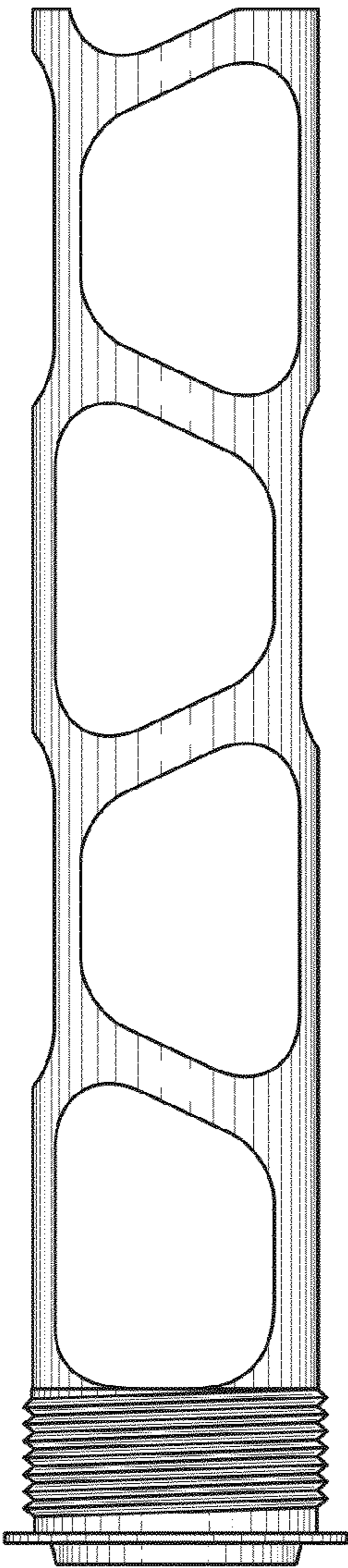


FIG. 3

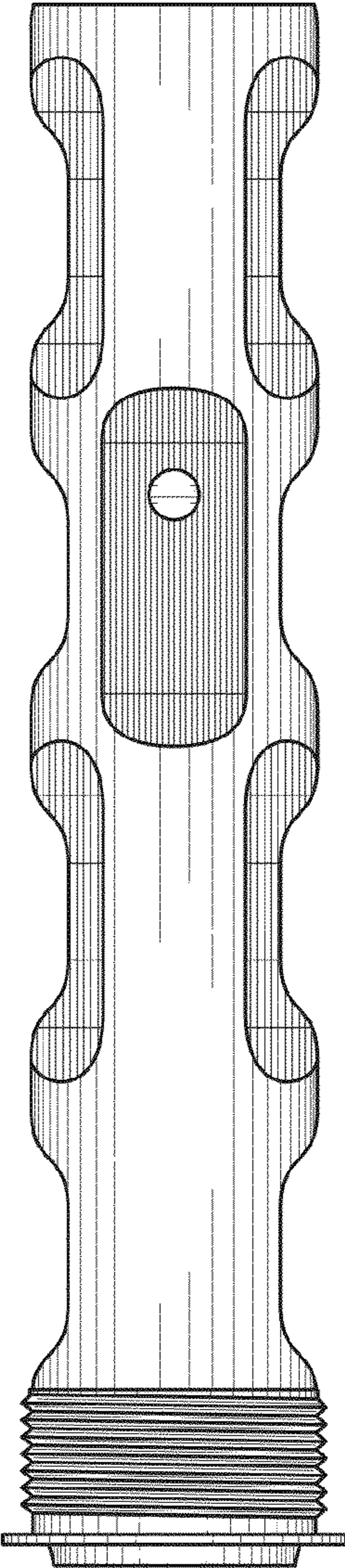


FIG. 4

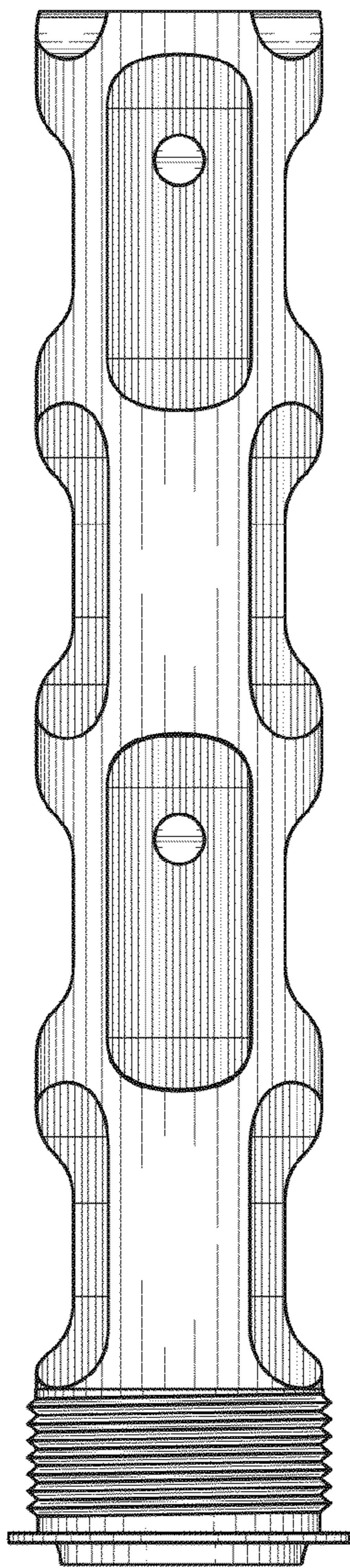


FIG. 5

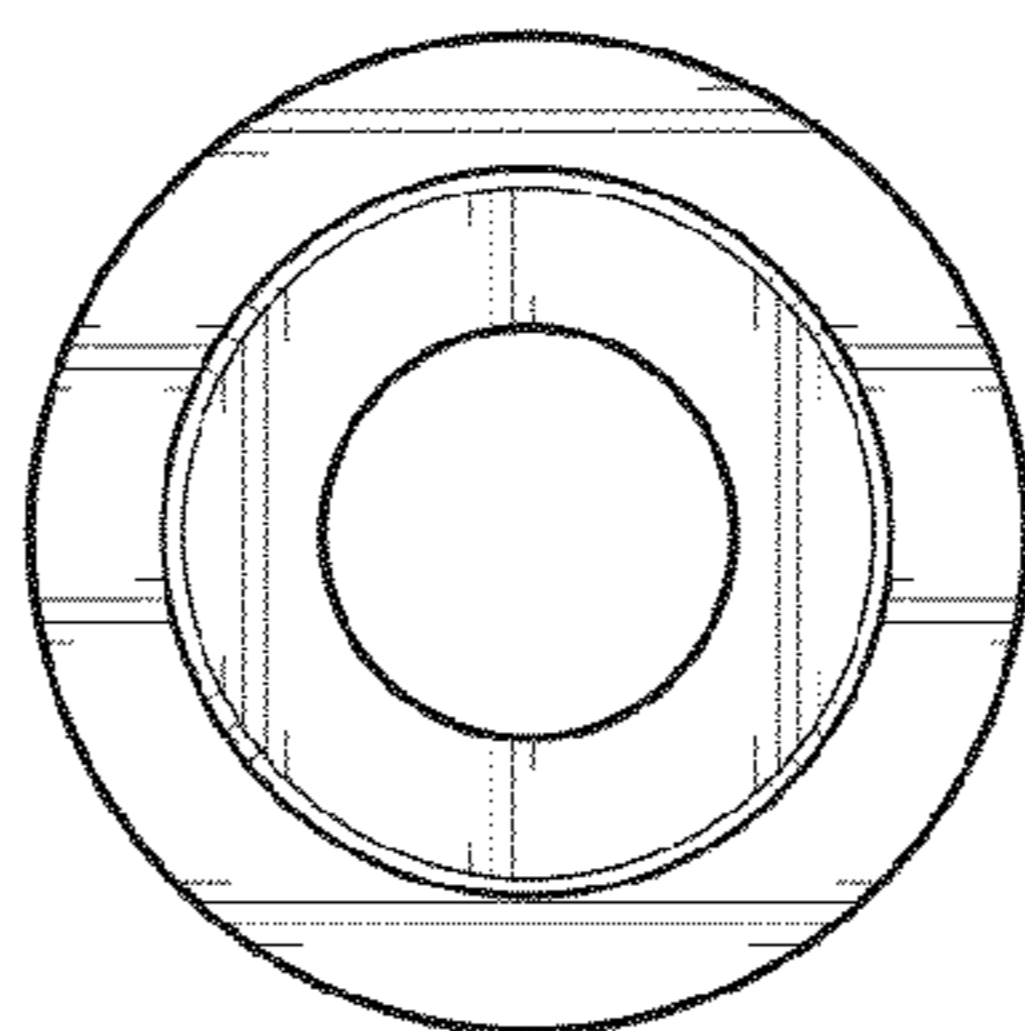


FIG. 6

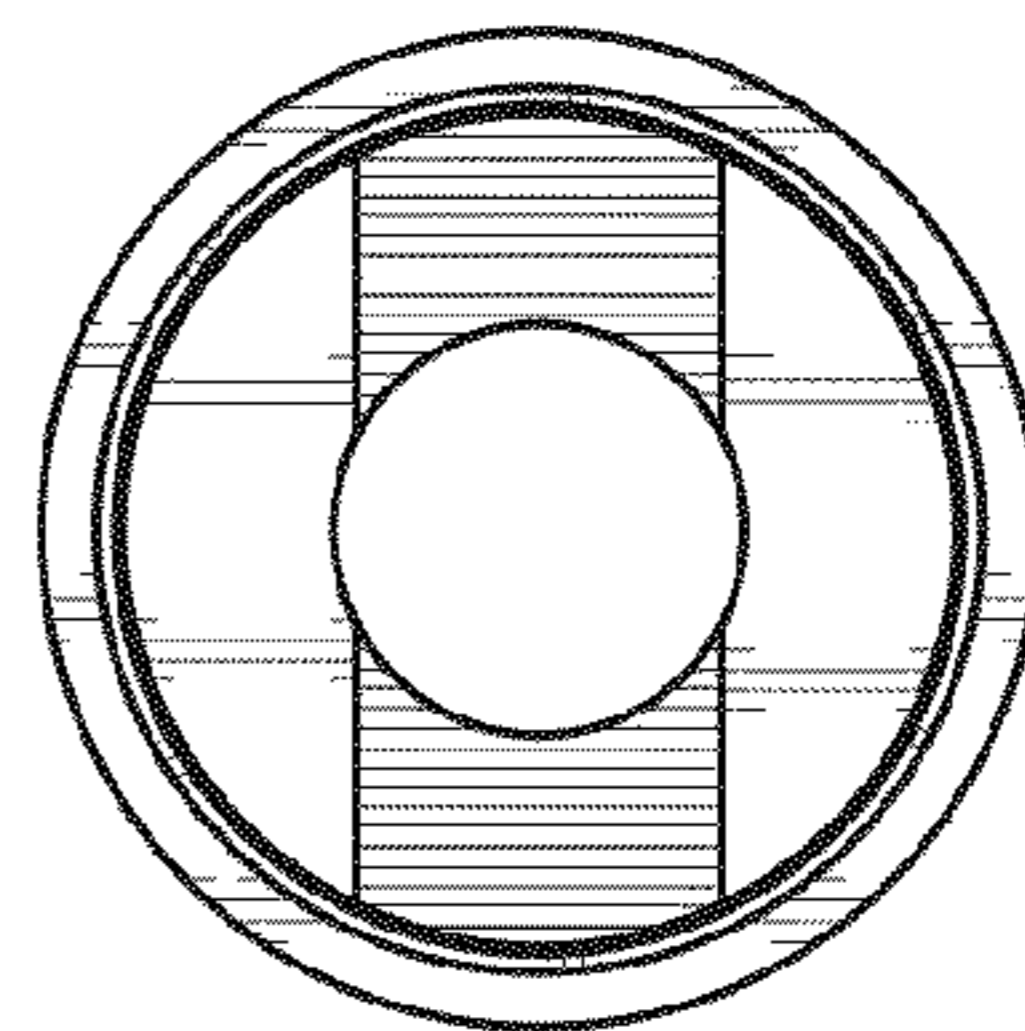


FIG. 7