

US00D685871S

(12) **United States Design Patent**
Mayaud

(10) **Patent No.:** **US D685,871 S**

(45) **Date of Patent:** **** Jul. 9, 2013**

(54) **SWIMMING BRACE SUPPORT**

(76) Inventor: **Christophe Mayaud**, Paris (FR)

(*) Notice: This patent is subject to a terminal disclaimer.

(**) Term: **14 Years**

(21) Appl. No.: **29/319,857**

(22) Filed: **Jun. 16, 2008**

Related U.S. Application Data

(63) Continuation-in-part of application No. 29/276,987, filed on Feb. 9, 2007, now abandoned.

(51) **LOC (9) Cl.** **21-06**

(52) **U.S. Cl.**
USPC **D21/804**

(58) **Field of Classification Search**
USPC ... D21/678, 801-804, 806, 807, 810; 482/55, 482/56; D24/188, 128; 441/55, 56, 58, 60, 441/61; D25/61; D11/165-183
See application file for complete search history.

(56) **References Cited**

U.S. PATENT DOCUMENTS

4,095,657 A * 6/1978 Hohwart 482/55
4,530,497 A * 7/1985 Moran et al. 482/55
D345,947 S * 4/1994 Brown et al. D11/166

7,175,569 B1 * 2/2007 Lan et al. 482/55
7,185,598 B1 * 3/2007 Lan et al. 114/215
7,273,444 B2 * 9/2007 Chang 482/55
7,442,151 B1 * 10/2008 Berdegue 482/55
7,846,072 B1 * 12/2010 Bellerive 482/55
8,007,410 B2 * 8/2011 Mayaud 482/55
2006/0252606 A1 * 11/2006 Korb et al. 482/55

* cited by examiner

Primary Examiner — Zenia Bennett

(74) *Attorney, Agent, or Firm* — Egbert Law Offices, PLLC

(57) **CLAIM**

The ornamental design for a swimming brace support, as shown and described.

DESCRIPTION

FIG. 1 is a side perspective view of the swimming brace support showing my design, an opposite side view being a mirror image thereof.

FIG. 2 is a top plan view thereof;

FIG. 3 is a front elevation view thereof;

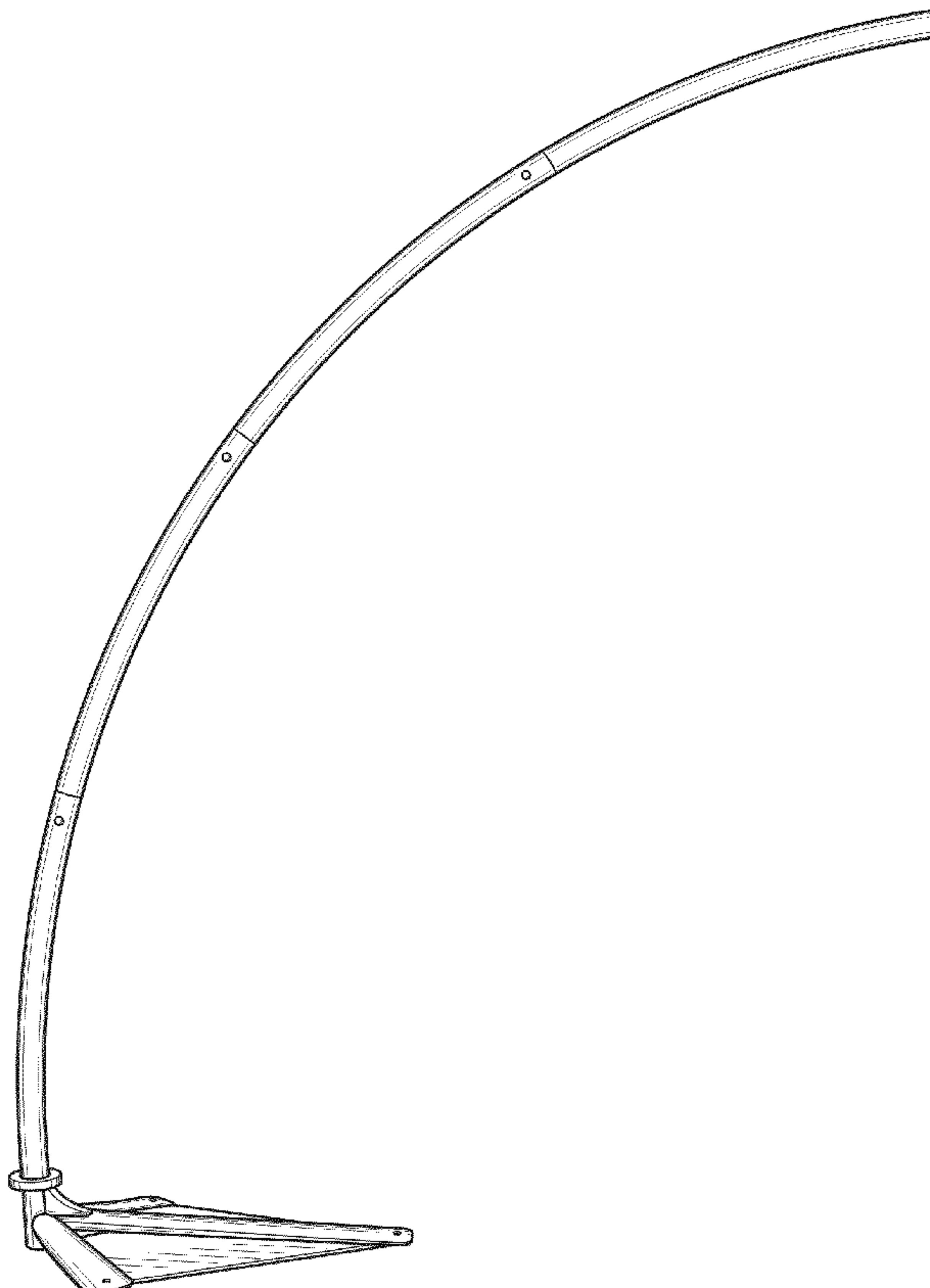
FIG. 4 is a back elevation view thereof;

FIG. 5 is another side perspective view thereof, showing environmental effects in broken lines; and,

FIG. 6 is a top perspective view thereof.

The environment effects include the swimming pool and water, presented in broken line format. The portions in broken lines are presented for illustrative purposes only and form no part of the claimed design.

1 Claim, 4 Drawing Sheets



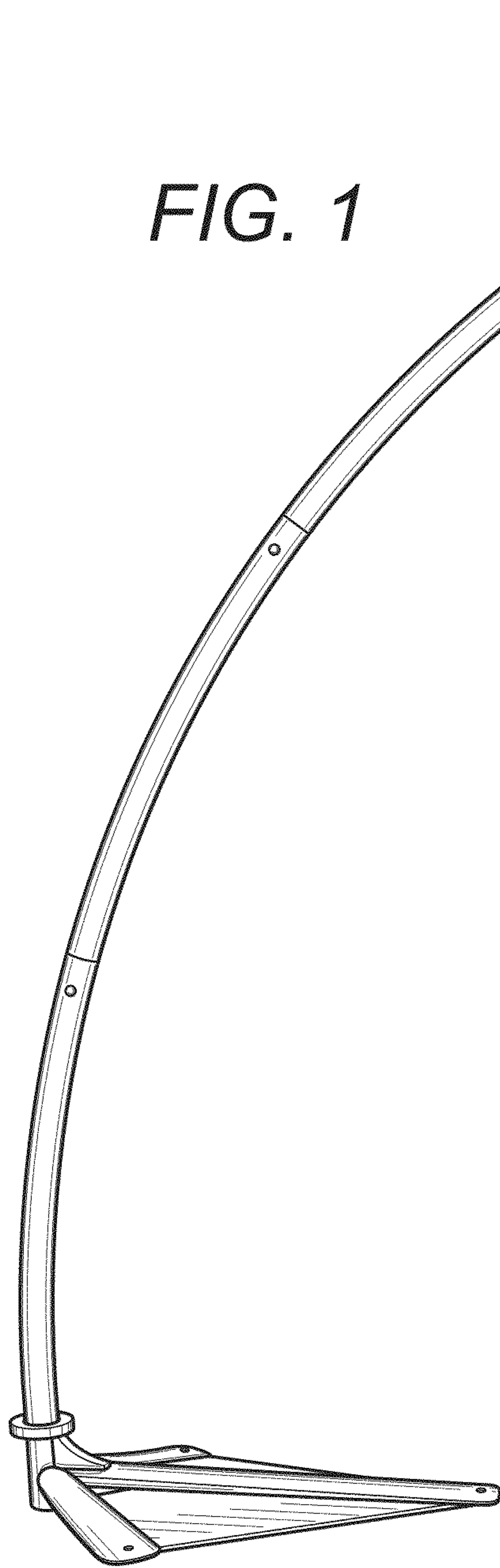


FIG. 1

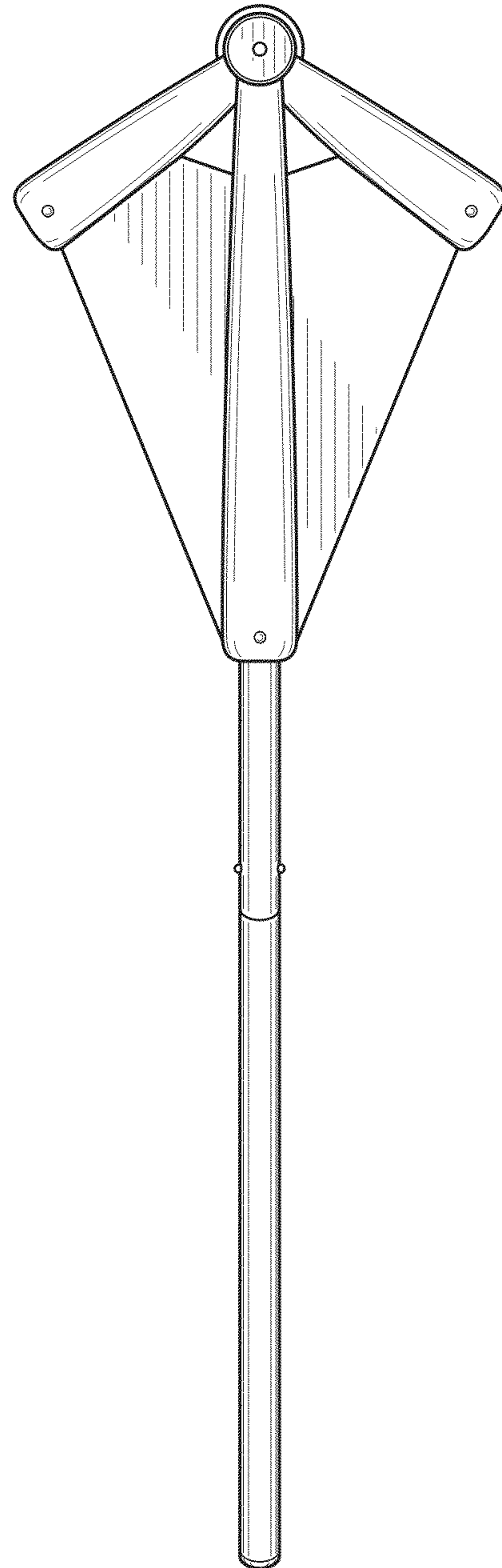


FIG. 2

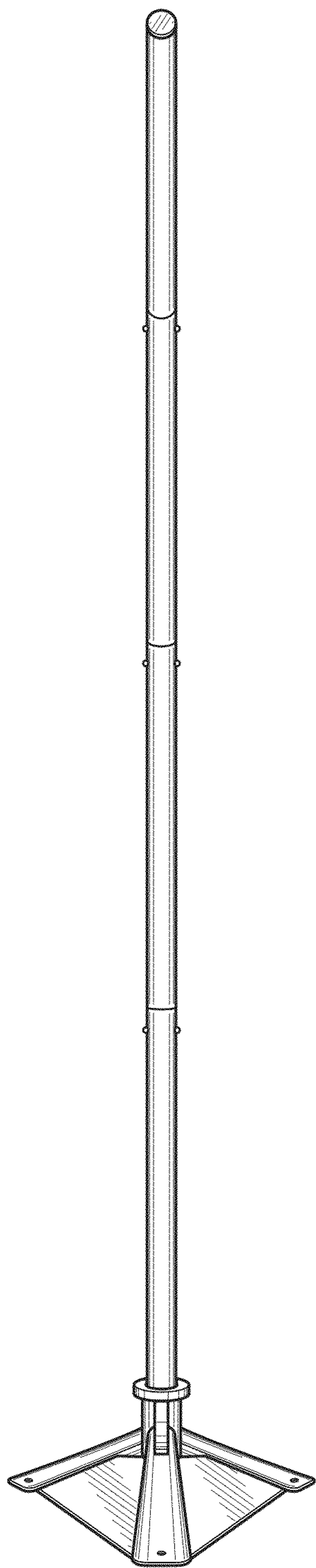


FIG. 3

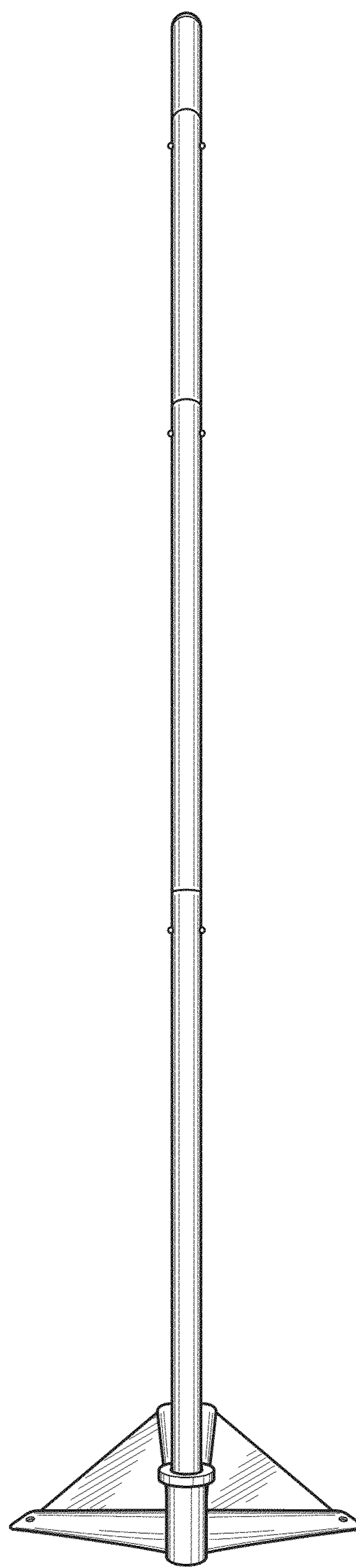
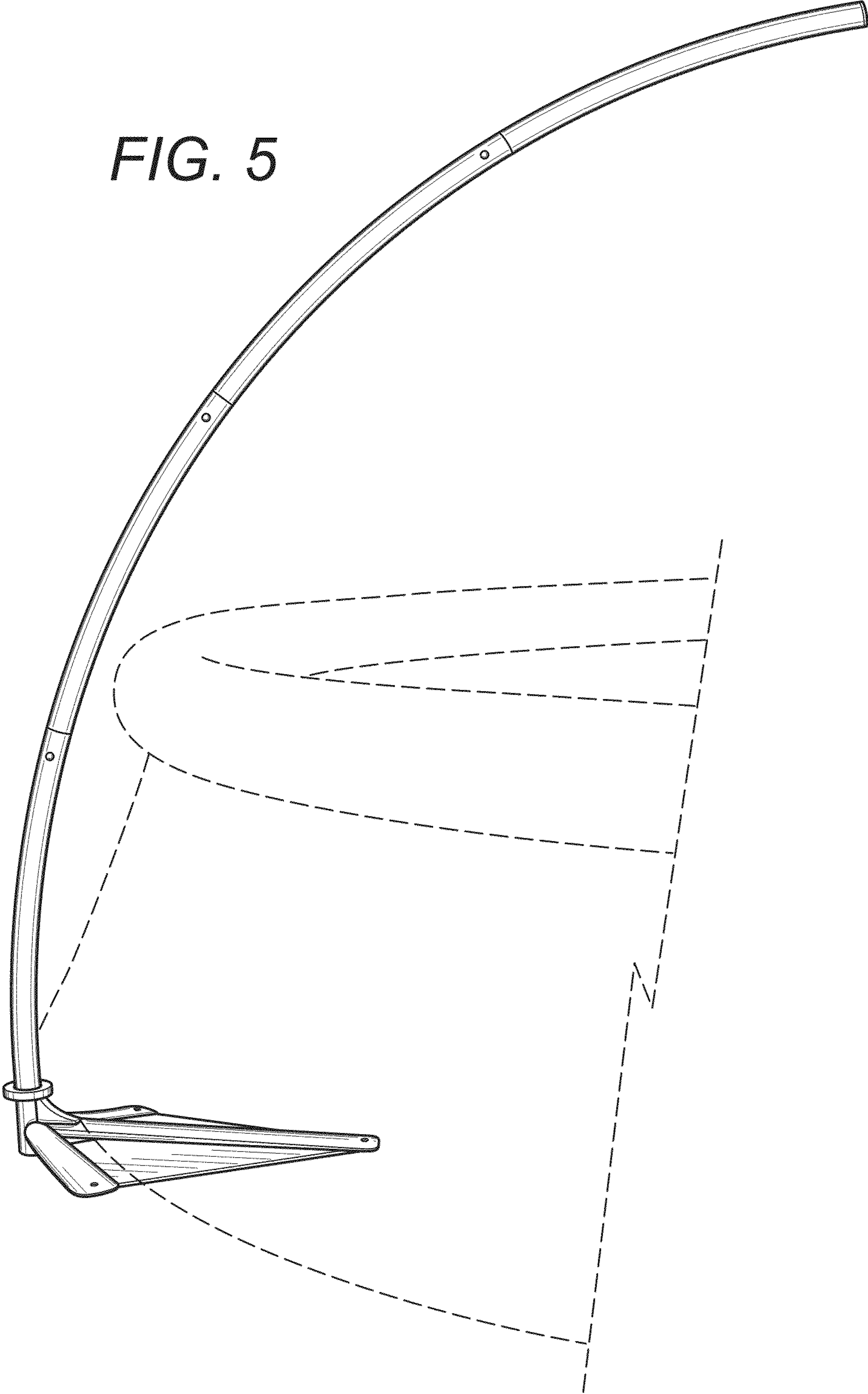


FIG. 4

FIG. 5



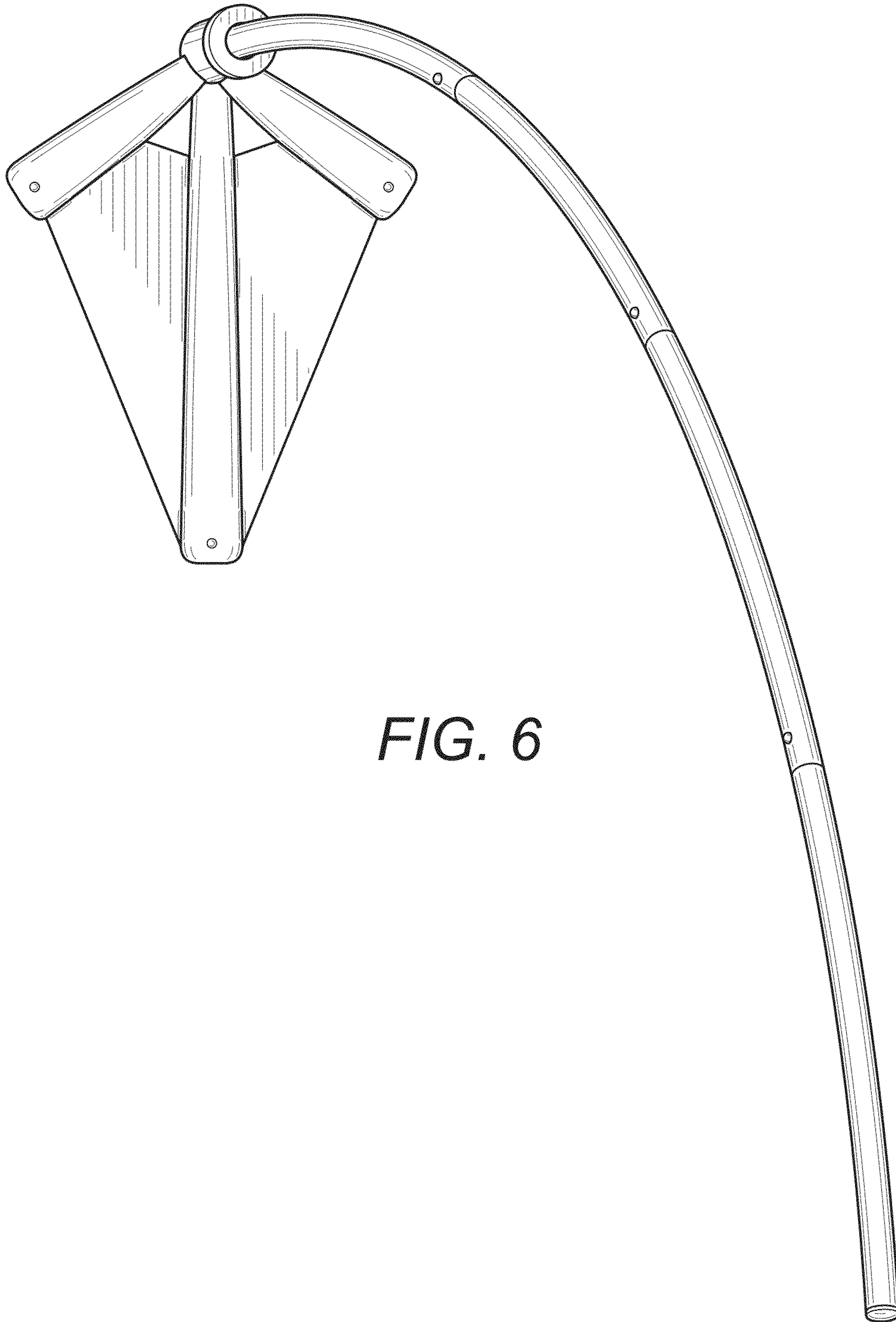


FIG. 6