



US00D685870S

(12) **United States Design Patent**
Ho

(10) **Patent No.:** **US D685,870 S**

(45) **Date of Patent:** **** Jul. 9, 2013**

(54) **EXERCISE ANALYZER**

(75) Inventor: **Sai Hung Ho**, Hong Kong (CN)

(73) Assignee: **Perception Digital Limited**, Hong Kong (CN)

(**) Term: **14 Years**

(21) Appl. No.: **29/423,895**

(22) Filed: **Jun. 6, 2012**

(30) **Foreign Application Priority Data**

Mar. 27, 2012 (CN) 2012 3 0078299

(51) **LOC (9) Cl.** **21-02**

(52) **U.S. Cl.**
USPC **D21/759**; D21/789; D21/791

(58) **Field of Classification Search**
USPC D21/753, 756-758, 789, 791; 473/285,
473/282, 300-303, 307, 201-204, 206, 219-265
See application file for complete search history.

(56) **References Cited**

U.S. PATENT DOCUMENTS

4,380,337 A * 4/1983 DiMatteo 473/285
4,822,052 A * 4/1989 Dimmick et al. 473/285

4,858,925 A * 8/1989 DeStefano, Jr. 473/285
4,957,293 A * 9/1990 Byrd 473/285
D318,704 S * 7/1991 Cevert D21/753
D319,278 S * 8/1991 Tosti D21/756
D633,966 S * 3/2011 Savarese et al. D21/756
D659,787 S * 5/2012 Balareta et al. D21/789
D668,728 S * 10/2012 Savarese et al. D21/759
D670,778 S * 11/2012 Savarese et al. D21/759

* cited by examiner

Primary Examiner — Mitchell Siegel

(74) *Attorney, Agent, or Firm* — Young & Thompson

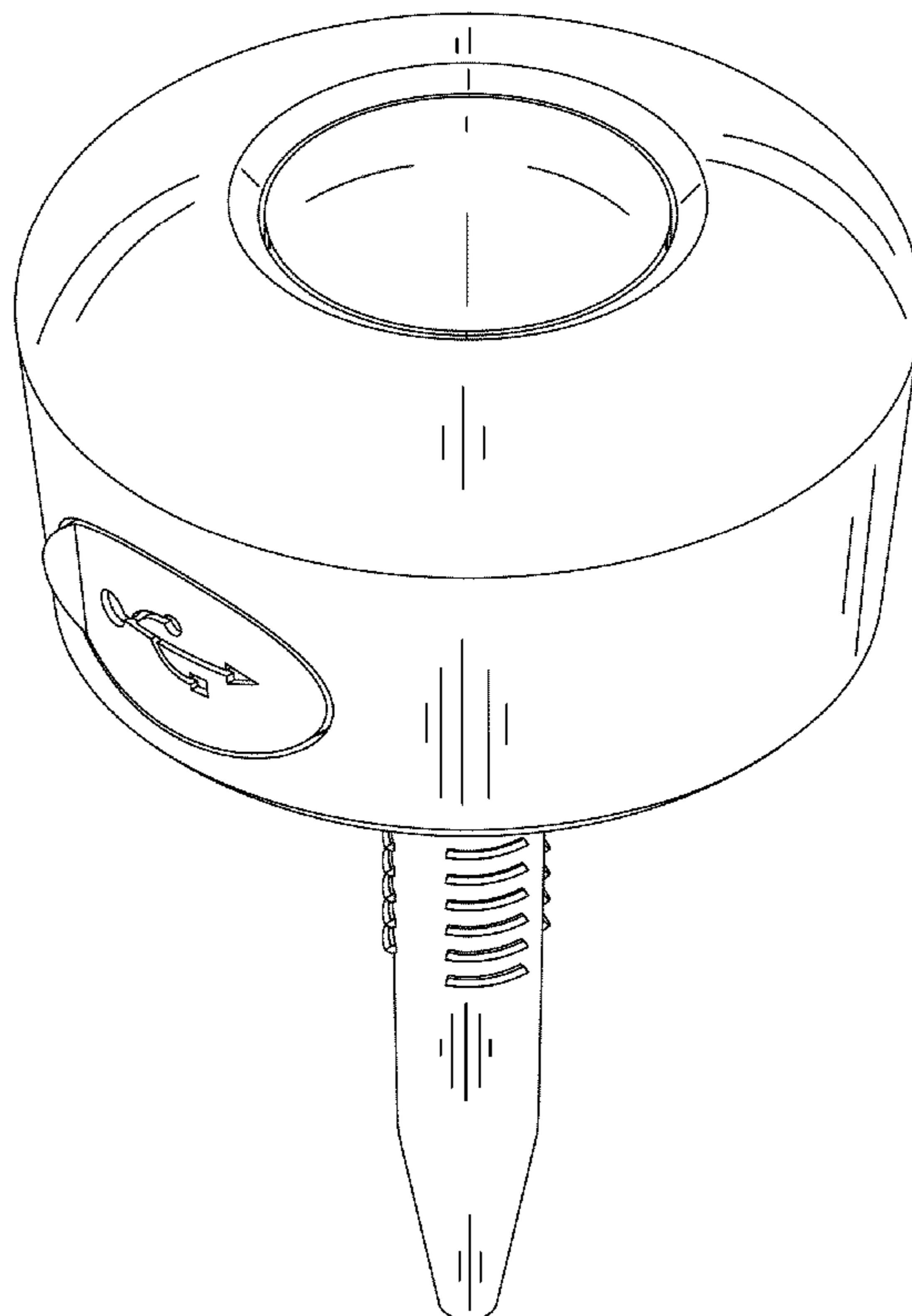
(57) **CLAIM**

The ornamental design for an exercise analyzer, as shown and described.

DESCRIPTION

FIG. 1 is a front, top perspective view of an exercise analyzer showing the design;
FIG. 2 is a rear, top perspective view thereof;
FIG. 3 is a front elevation view thereof;
FIG. 4 is a rear elevation view thereof;
FIG. 5 is a left side elevation view thereof;
FIG. 6 is a right side elevation view thereof;
FIG. 7 is a top plan view thereof; and,
FIG. 8 is a bottom plan view thereof.

1 Claim, 8 Drawing Sheets



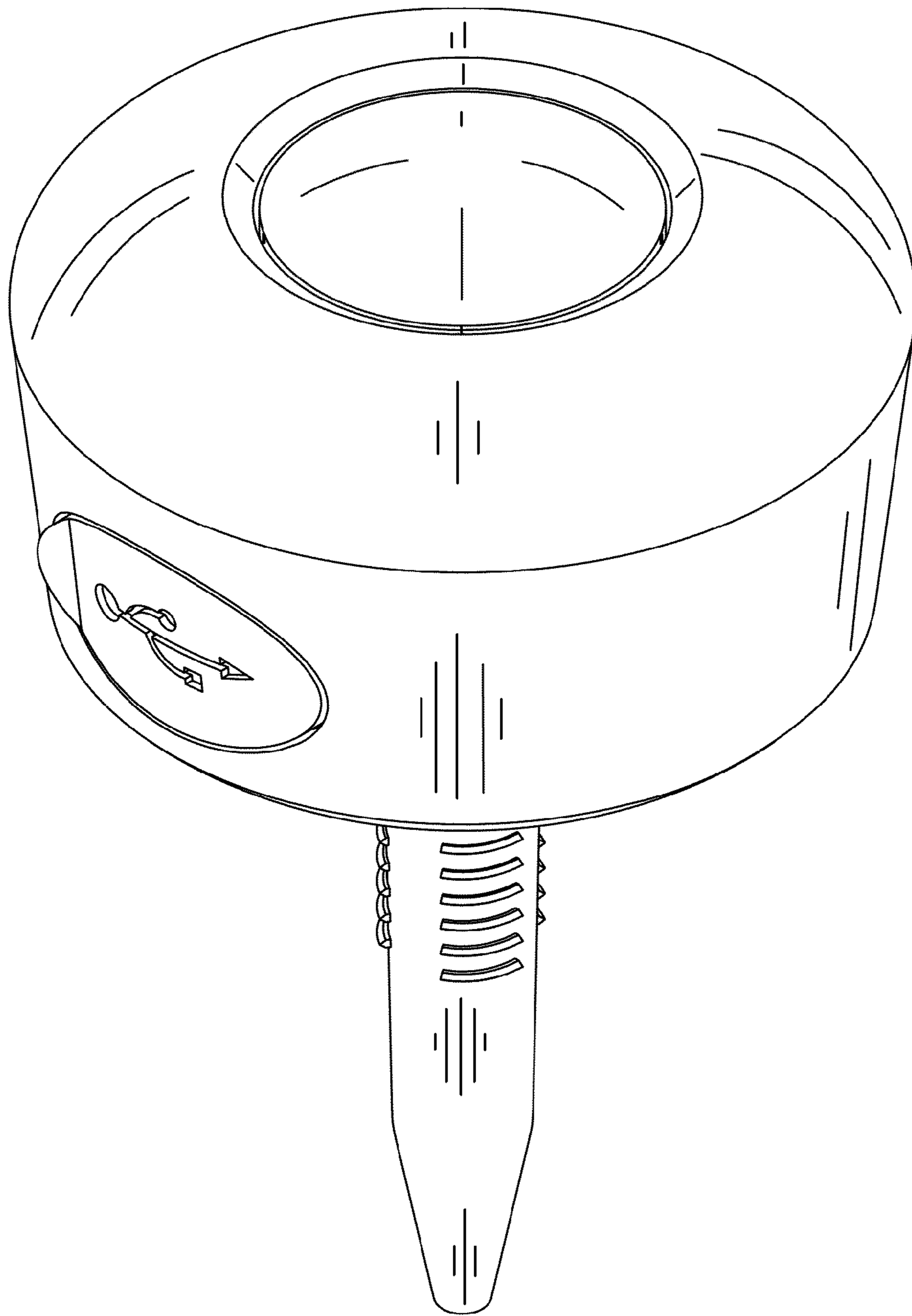


FIG. 1

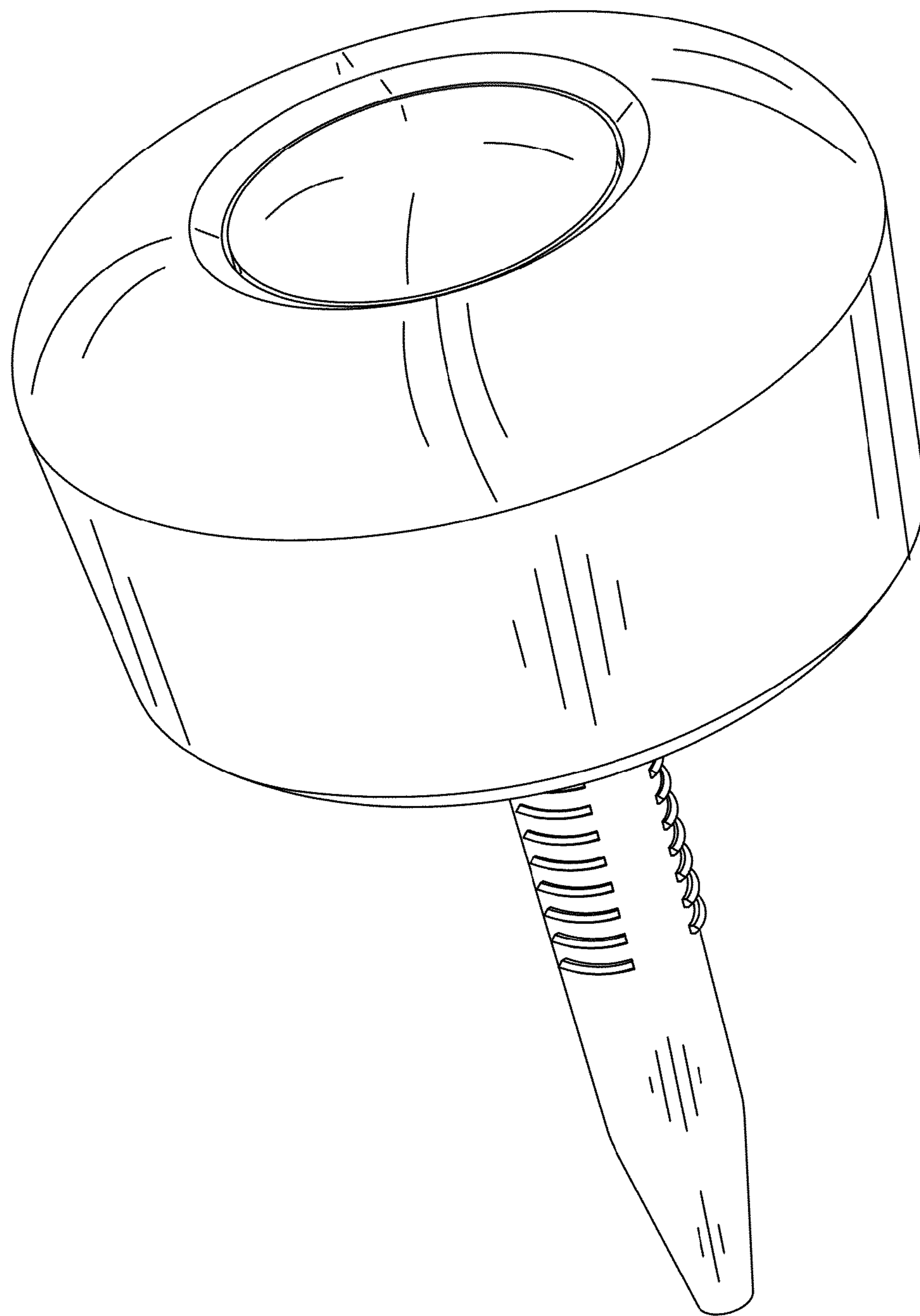


FIG. 2

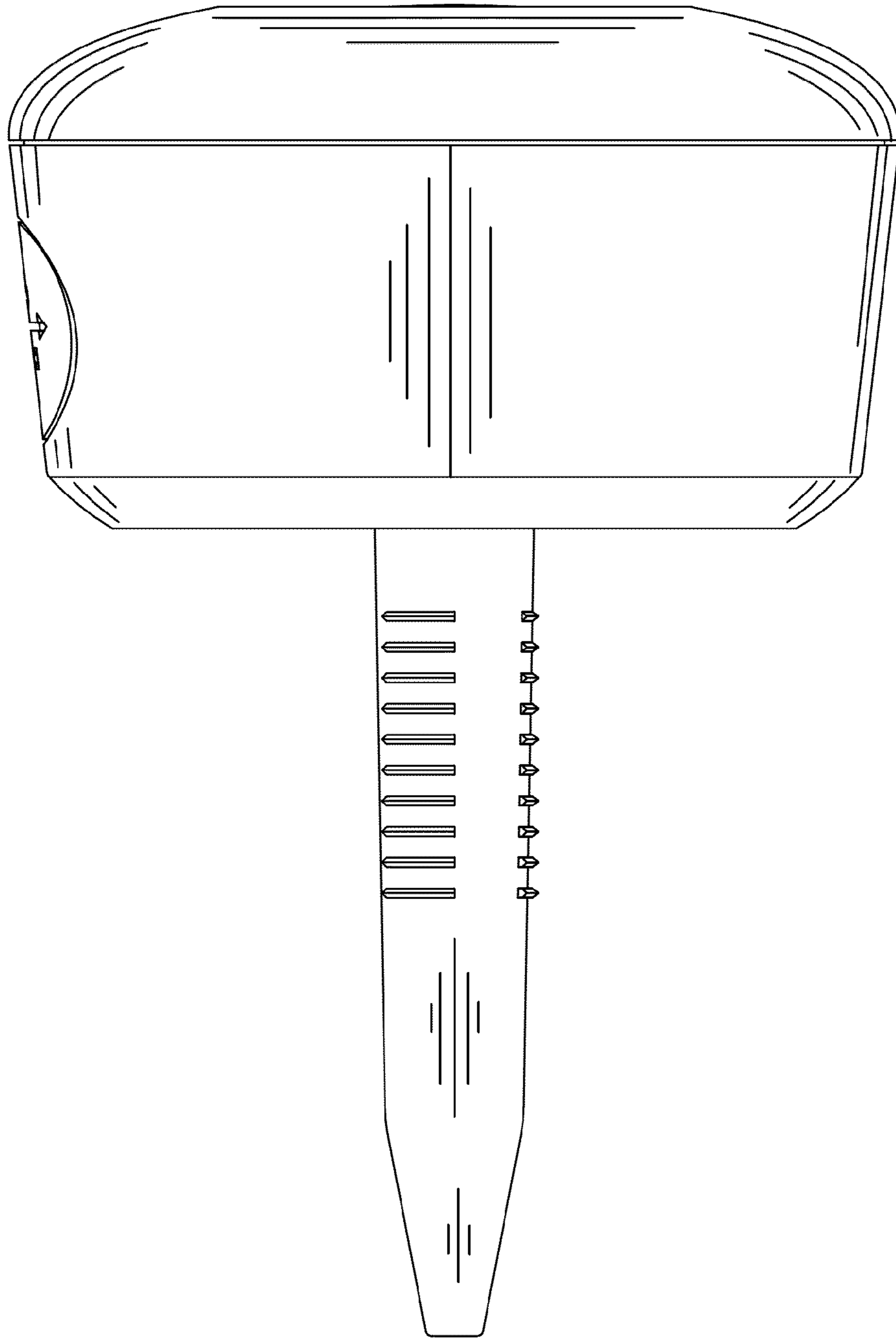


FIG. 3

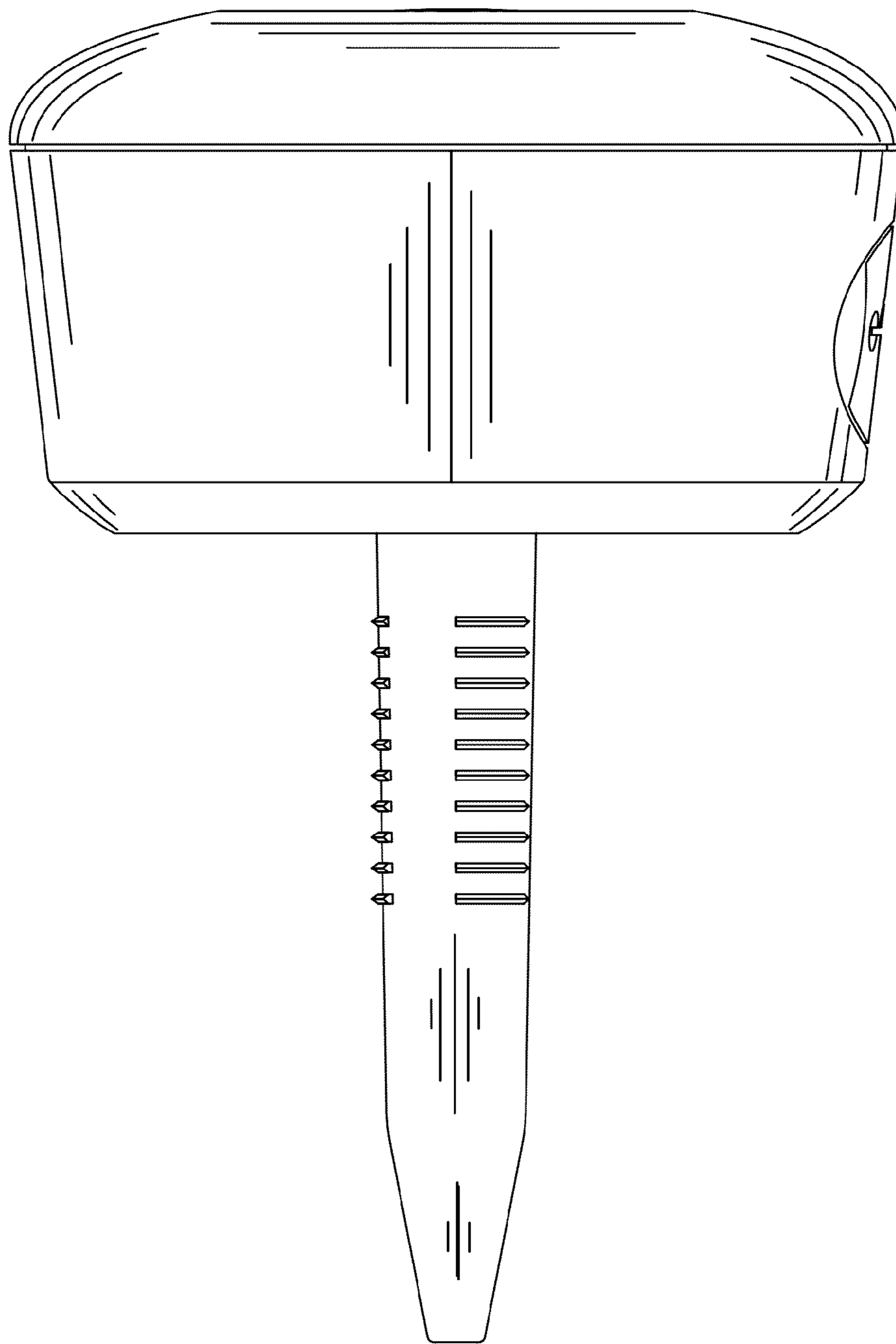


FIG. 4

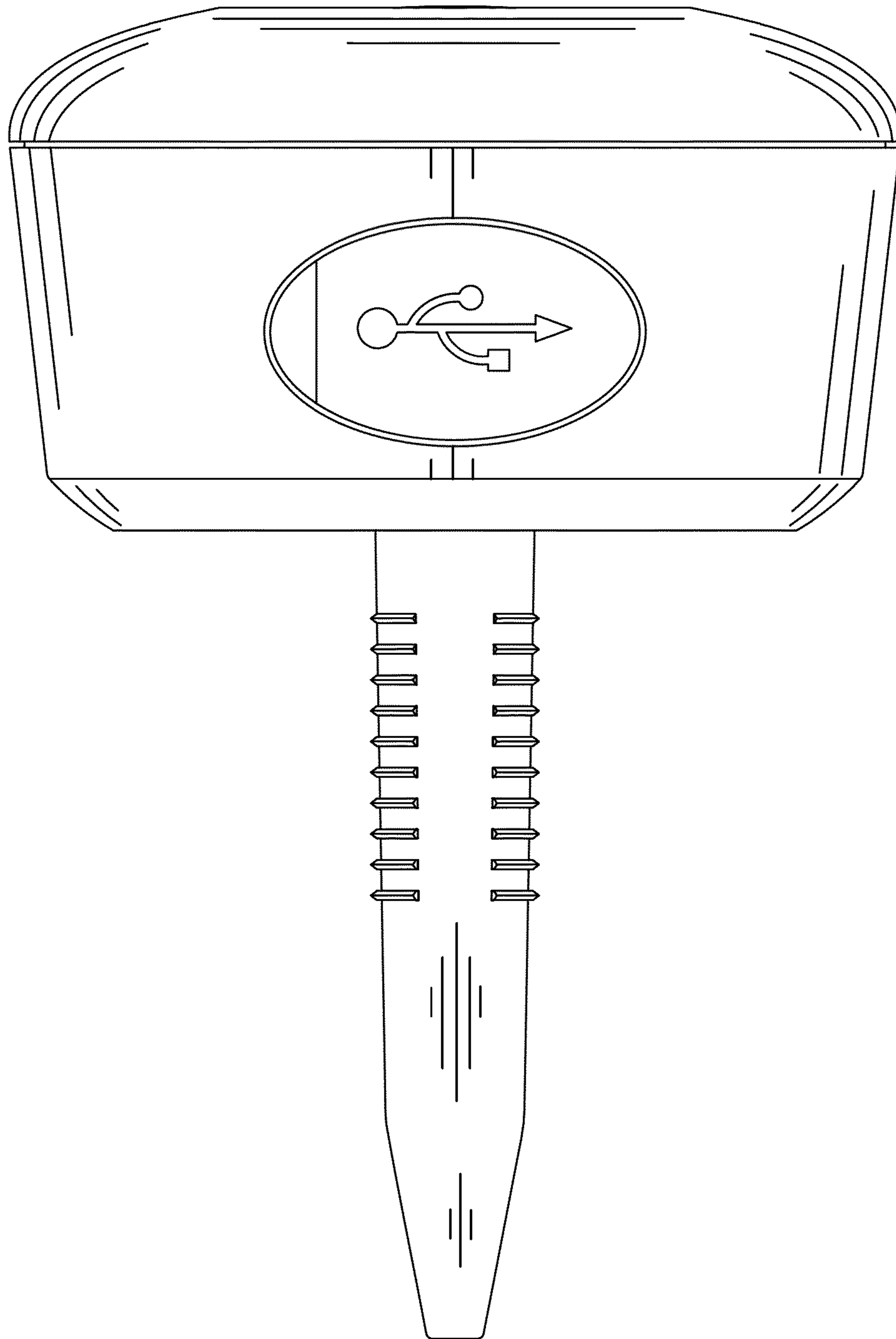


FIG. 5

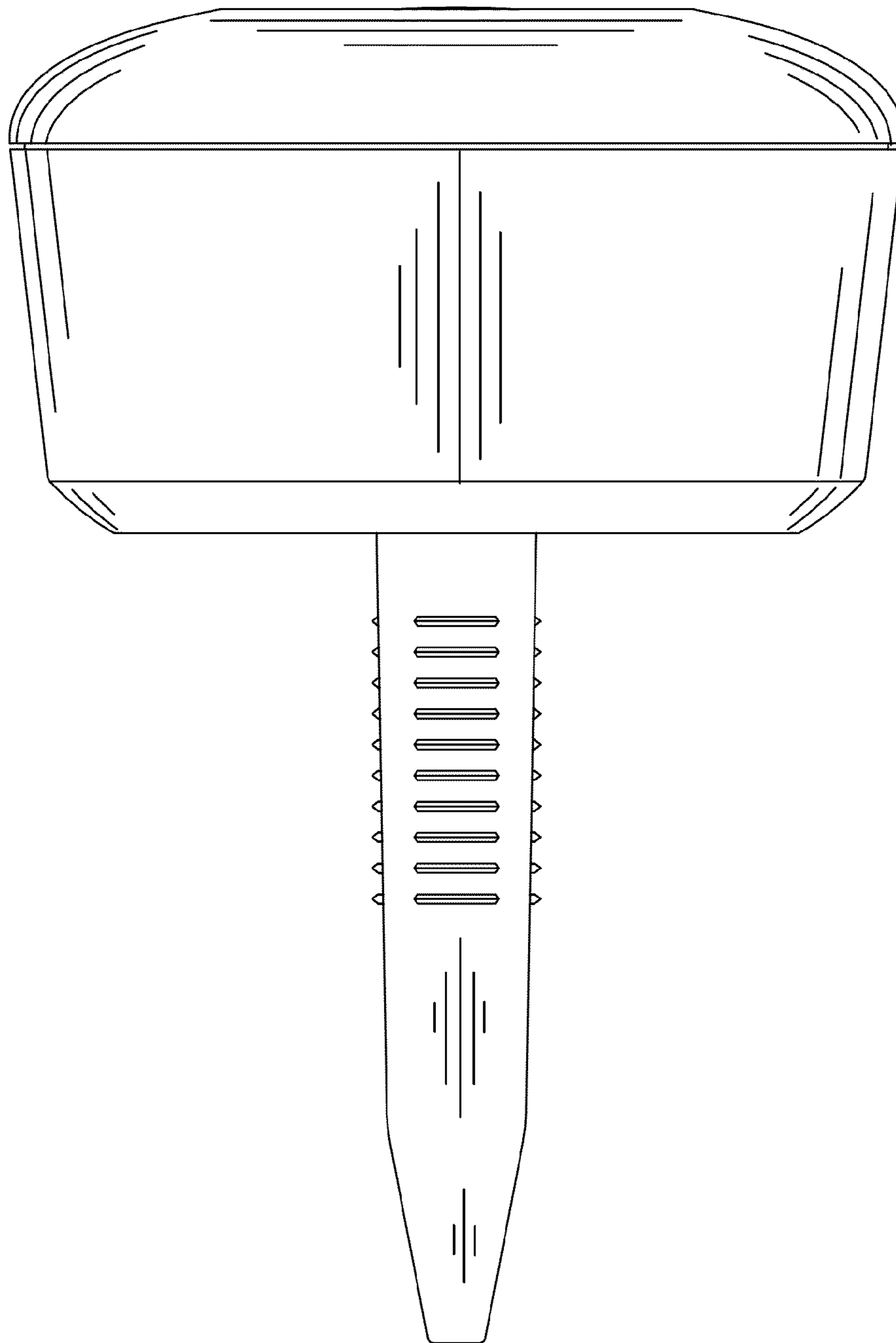


FIG. 6

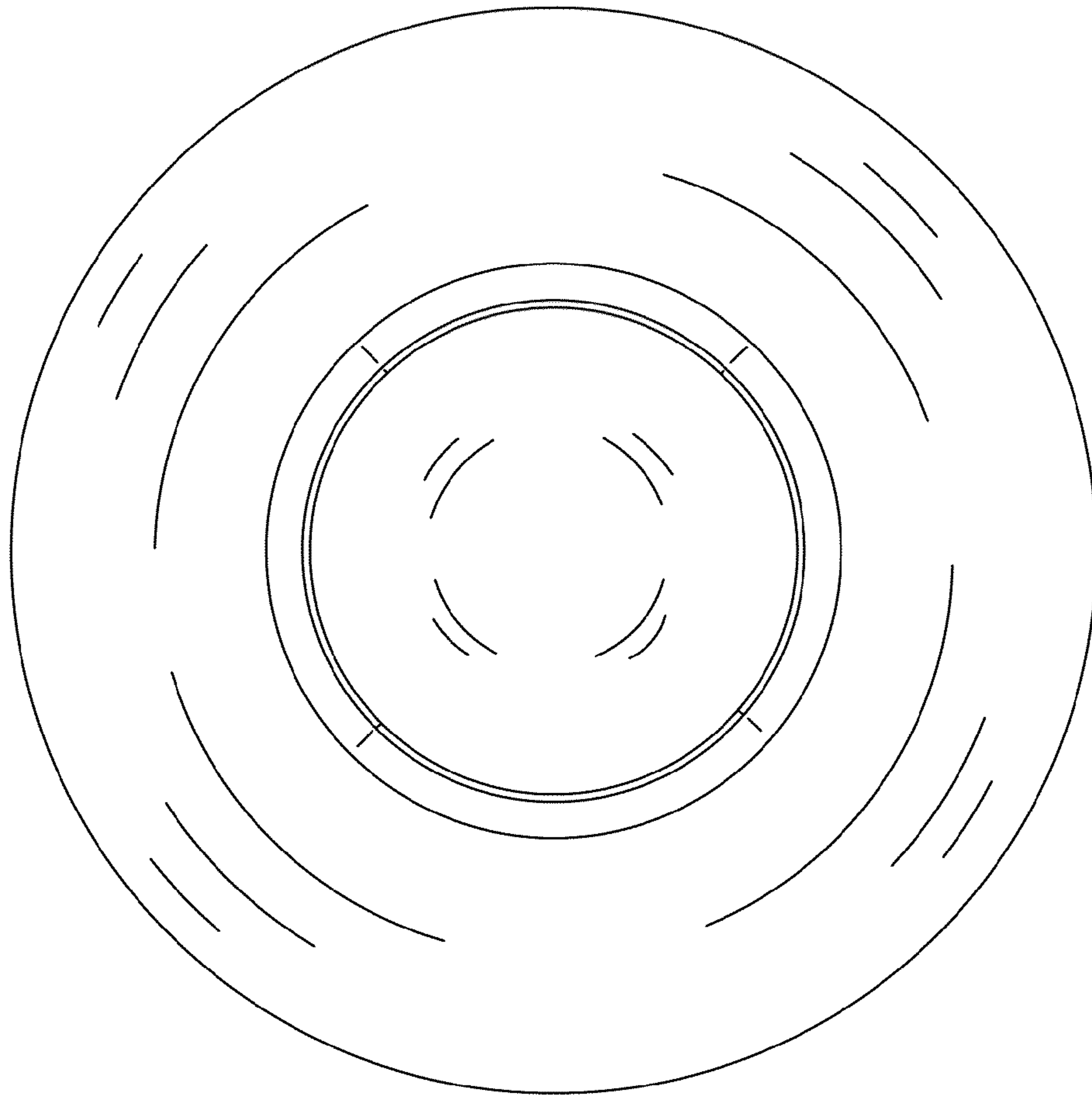


FIG. 7

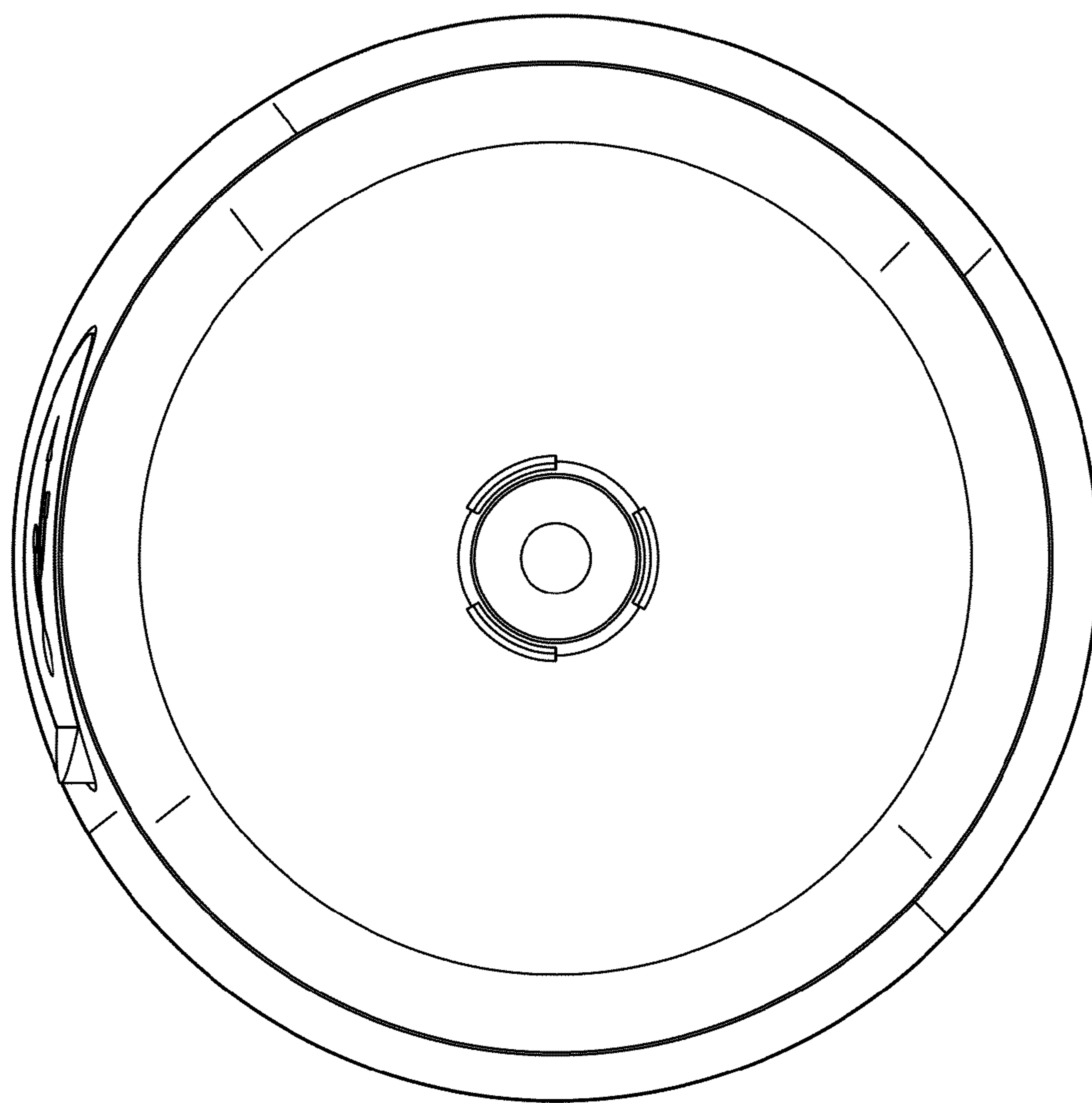


FIG. 8