



US00D685867S

(12) **United States Design Patent**
Mehlman

(10) **Patent No.:** **US D685,867 S**

(45) **Date of Patent:** **** Jul. 9, 2013**

(54) **GLUTE MACHINE**

(76) Inventor: **Brett David Mehlman**, Alexandria, VA
(US)

(**) Term: **14 Years**

(21) Appl. No.: **29/385,492**

(22) Filed: **Feb. 15, 2011**

(51) **LOC (9) Cl.** **21-02**

(52) **U.S. Cl.**
USPC **D21/690; D21/687**

(58) **Field of Classification Search**
USPC D21/662, 676, 686, 687, 688, 689,
D21/690, 694, 695; 482/62, 97, 99, 102,
482/121, 133, 140, 142, 145
See application file for complete search history.

(56) **References Cited**

U.S. PATENT DOCUMENTS

D285,328 S *	8/1986	Cardiff, Sr.	D21/690
D320,824 S *	10/1991	Cordon	D21/690
D322,730 S *	12/1991	Taltre	D6/502
D339,617 S *	9/1993	Harashima	D21/690

6,468,188 B1 *	10/2002	Koenig	482/97
D491,987 S *	6/2004	Harley	D21/690
7,083,558 B2 *	8/2006	Williams, Sr.	482/142
7,087,005 B2 *	8/2006	Rouillard	482/142
7,967,738 B2 *	6/2011	Dauterive	482/145
8,052,586 B2 *	11/2011	Hahn	482/142
8,083,654 B1 *	12/2011	MacDonald et al.	482/121
8,172,736 B2 *	5/2012	Contreras	482/142
2009/0264265 A1 *	10/2009	Contreras	482/99

* cited by examiner

Primary Examiner — Susan E Krakower

(74) *Attorney, Agent, or Firm* — Rutan & Tucker LLP; Hani Z. Sayed

(57) **CLAIM**

The ornamental design for glute machine, as shown and described.

DESCRIPTION

FIG. 1 is a top, front, left side perspective view of an embodiment of a glute machine showing my new design;
FIG. 2 is a top plan view; and,
FIG. 3 is a left side elevation view.

1 Claim, 2 Drawing Sheets

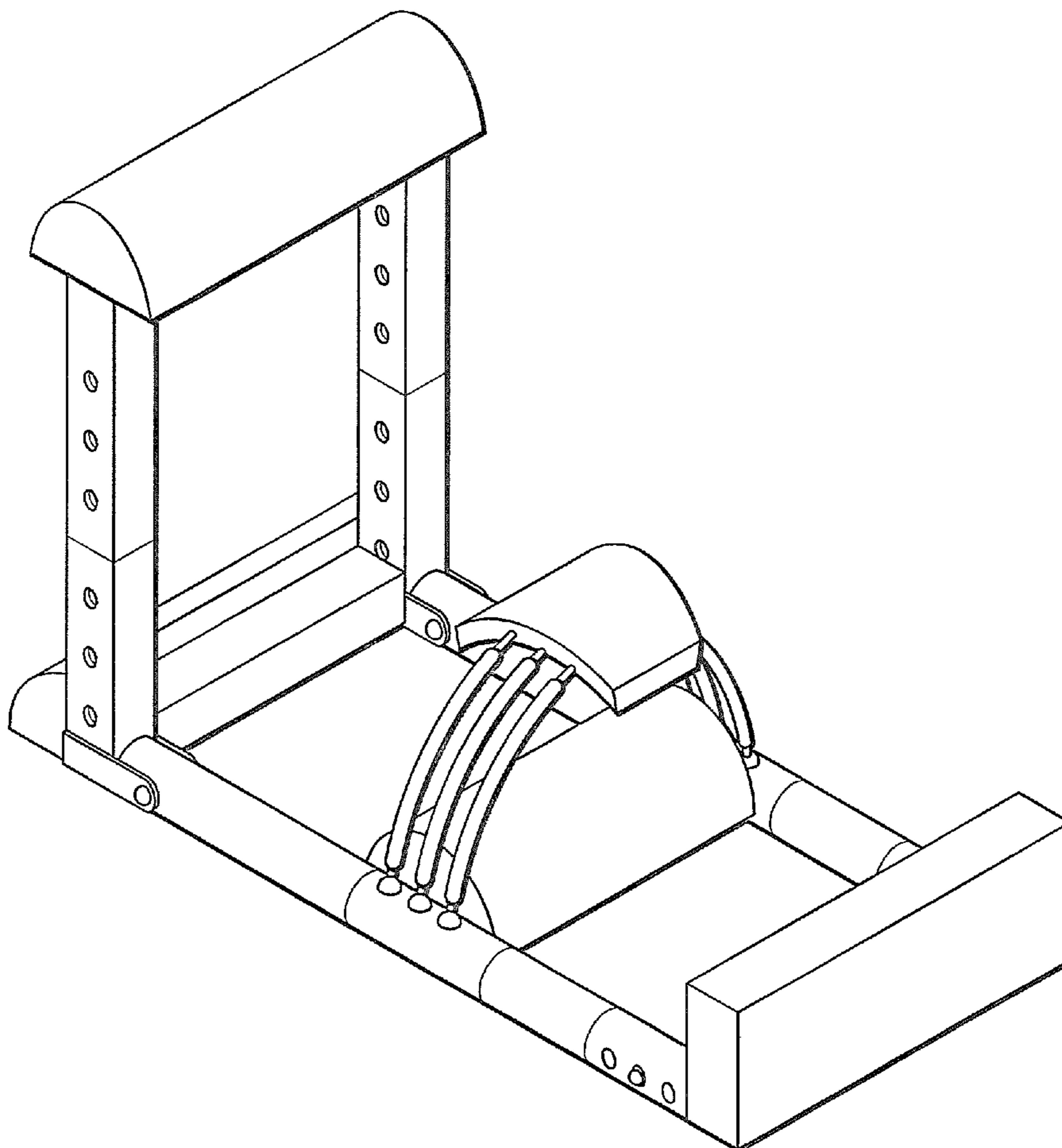
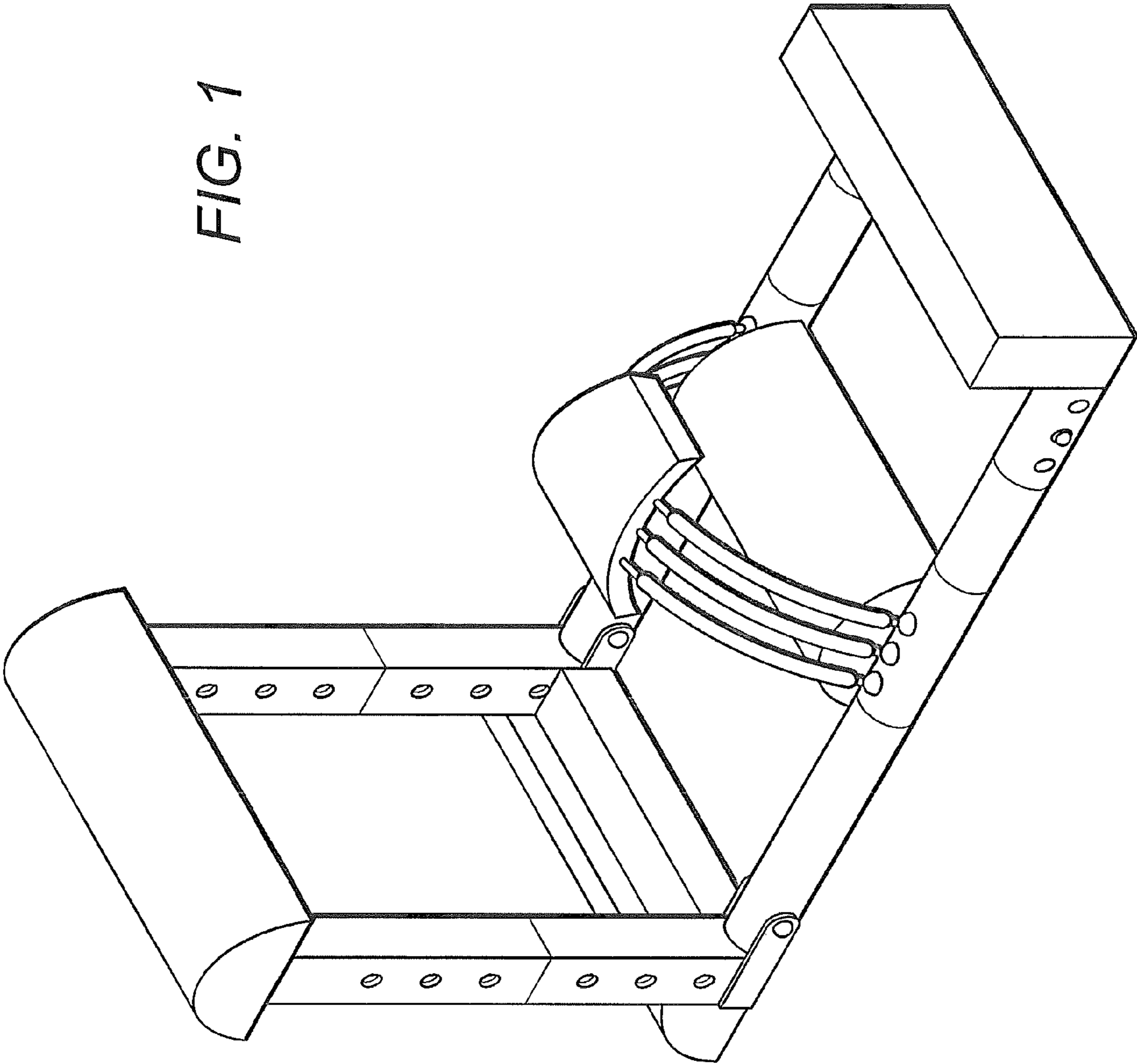


FIG. 1



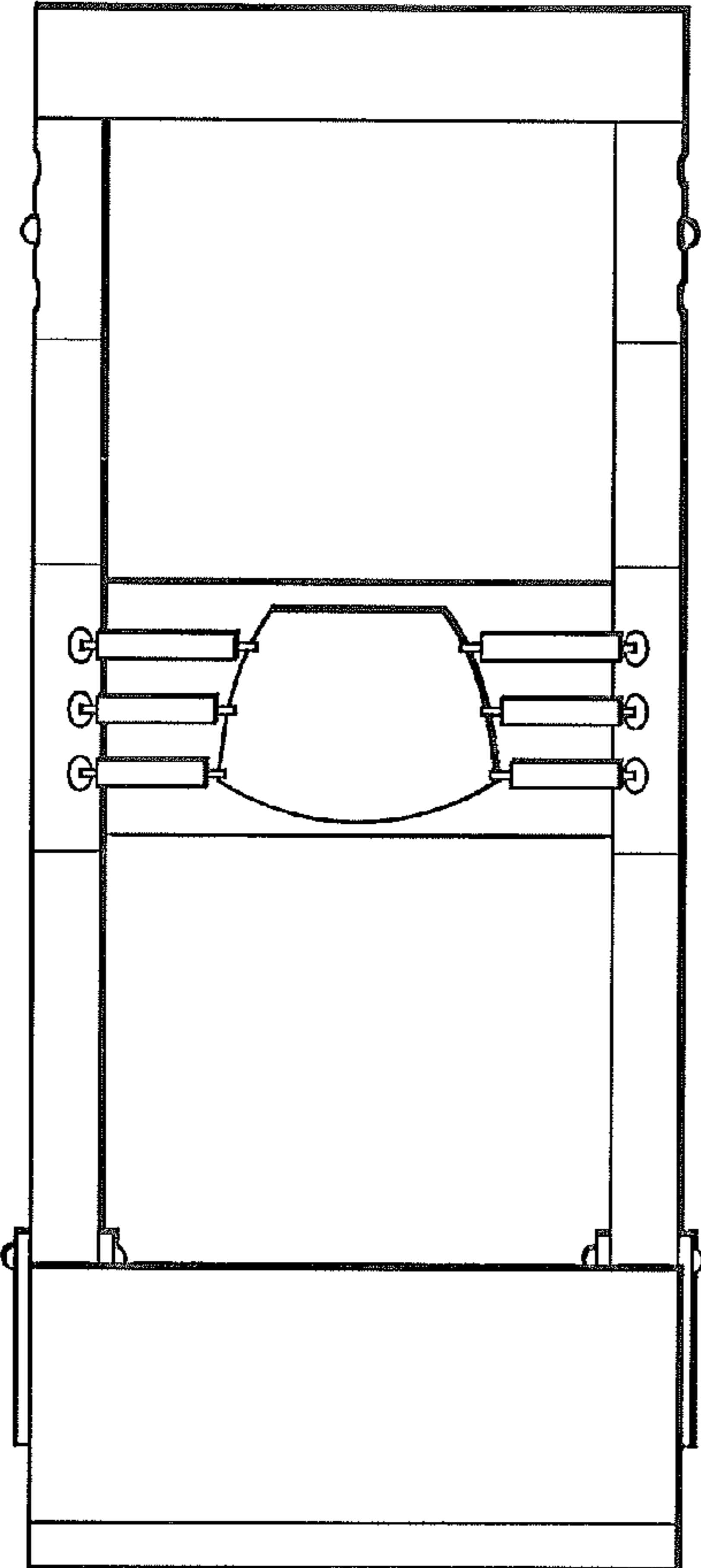


FIG. 2

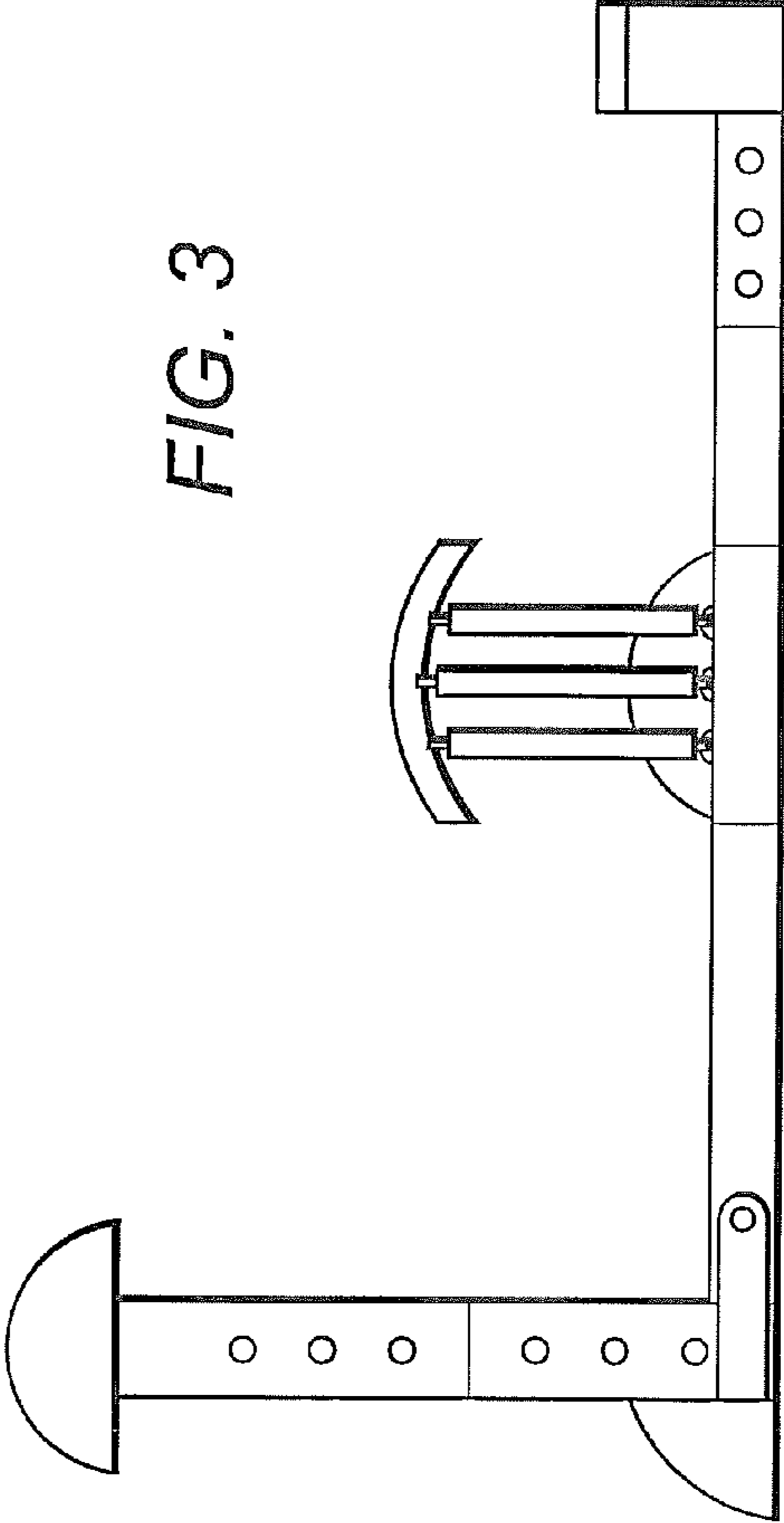


FIG. 3