



US00D685866S

(12) **United States Design Patent**  
**Kinsbourne**

(10) **Patent No.:** **US D685,866 S**

(45) **Date of Patent:** **\*\* Jul. 9, 2013**

(54) **SOFT KETTLE BELL**

(71) Applicant: **Daniel Kinsbourne**, Ridgefield, CT  
(US)

(72) Inventor: **Daniel Kinsbourne**, Ridgefield, CT  
(US)

(\*\*) Term: **14 Years**

(21) Appl. No.: **29/433,166**

(22) Filed: **Sep. 26, 2012**

(51) **LOC (9) Cl.** ..... **21-02**

(52) **U.S. Cl.**  
USPC ..... **D21/682**

(58) **Field of Classification Search**  
USPC ... D21/662, 678, 680-682, 692, 694; 482/50,  
482/92-94, 98, 106-108, 142  
See application file for complete search history.

(56) **References Cited**

U.S. PATENT DOCUMENTS

|           |      |         |           |       |            |
|-----------|------|---------|-----------|-------|------------|
| 1,927,492 | A *  | 9/1933  | Halpin    | ..... | 206/315.91 |
| 4,659,079 | A *  | 4/1987  | Blanchard | ..... | 473/60     |
| 5,085,320 | A *  | 2/1992  | Scott     | ..... | 206/315.9  |
| D481,771  | S *  | 11/2003 | Anderson  | ..... | D21/682    |
| 7,381,157 | B2 * | 6/2008  | Blateri   | ..... | 482/50     |
| 7,491,157 | B1 * | 2/2009  | Lin       | ..... | 482/108    |
| D616,949  | S *  | 6/2010  | Wang      | ..... | D21/682    |
| D654,971  | S *  | 2/2012  | Januszek  | ..... | D21/682    |

|              |      |         |                |       |         |
|--------------|------|---------|----------------|-------|---------|
| 8,267,841    | B1 * | 9/2012  | Allison et al. | ..... | 482/108 |
| 2011/0275494 | A1 * | 11/2011 | Radi et al.    | ..... | 482/93  |
| 2012/0322627 | A1 * | 12/2012 | Emerson        | ..... | 482/93  |

\* cited by examiner

*Primary Examiner* — Susan E Krakower

(57) **CLAIM**

The ornamental design for a soft kettle bell, as shown and described.

**DESCRIPTION**

FIG. 1 is a front view of a soft kettle bell of the present invention, the opposing rear view being a mirror image thereof;

FIG. 2 is a side view of a soft kettle bell of the present invention, the opposing side view being a mirror image thereof;

FIG. 3 is a top view of a soft kettle bell of the present invention;

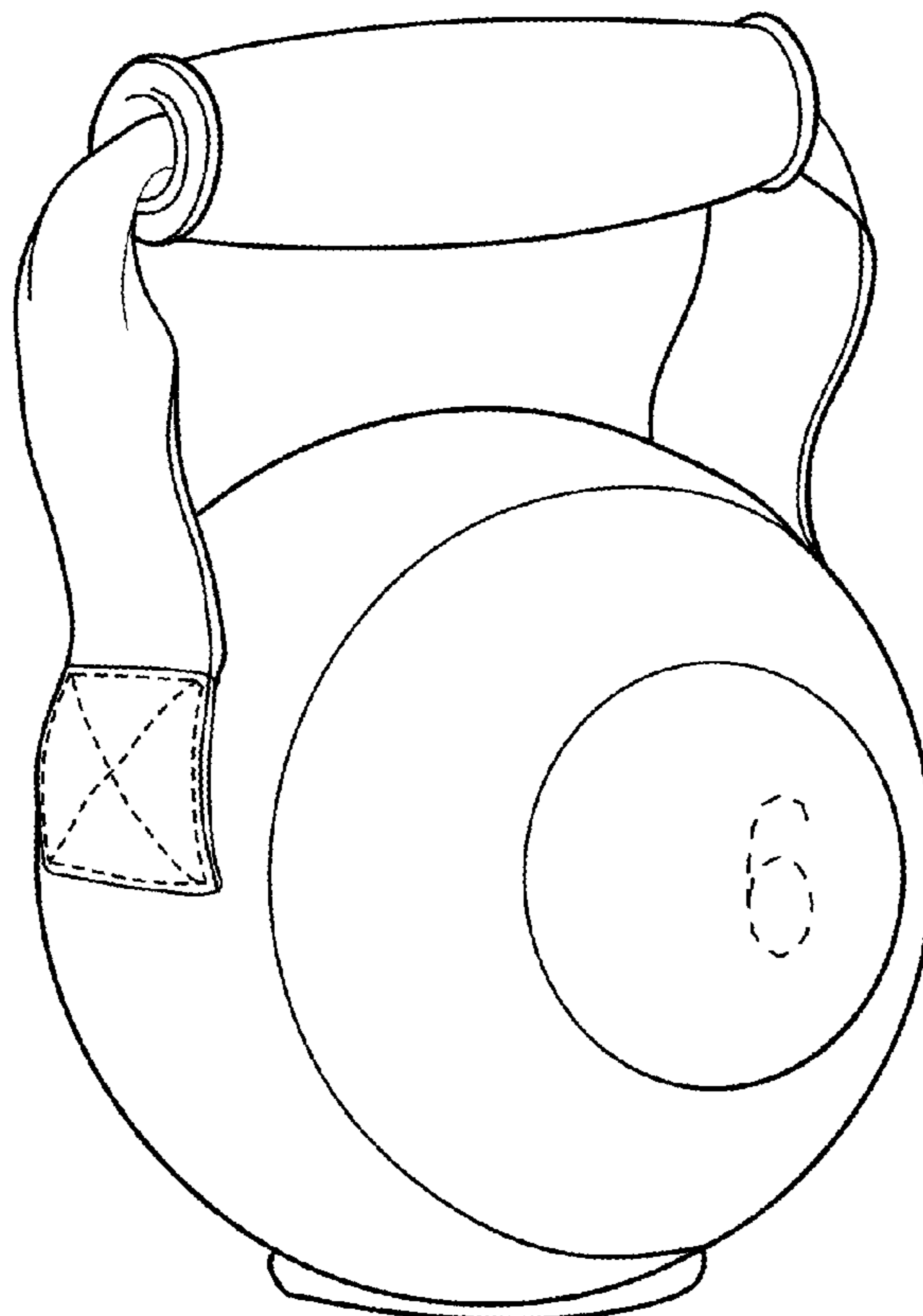
FIG. 4 is a bottom view of a soft kettle bell of the present invention; and,

FIG. 5 is a front perspective view of a soft kettle bell of the present invention.

The broken lines showing a number illustrate environmental structure which forms no part of the claimed design.

It is understood that the broken lines forming an "X" within a square shape, indicate stitch lines which forms part of the claimed design.

**1 Claim, 3 Drawing Sheets**



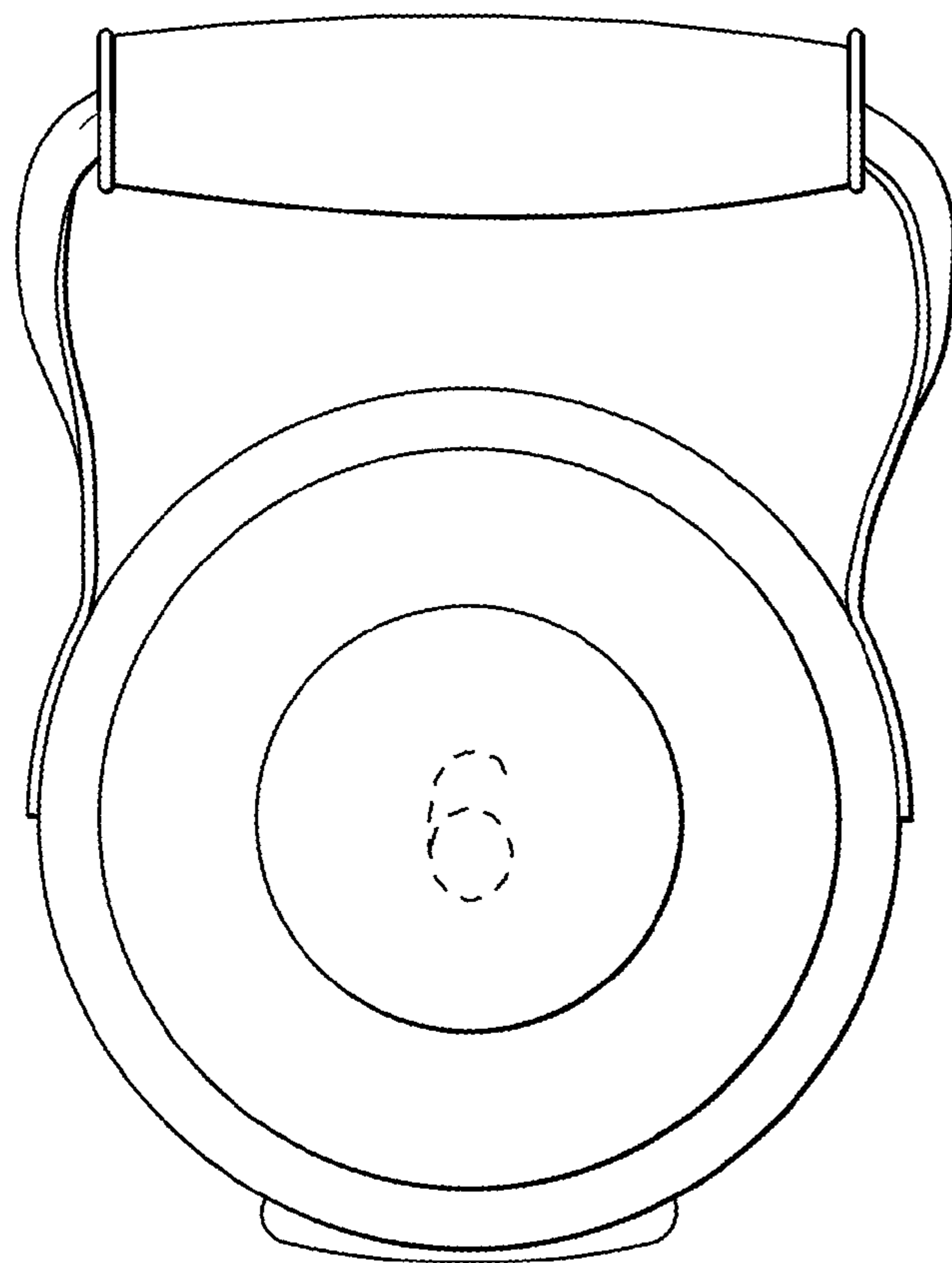


FIG. 1

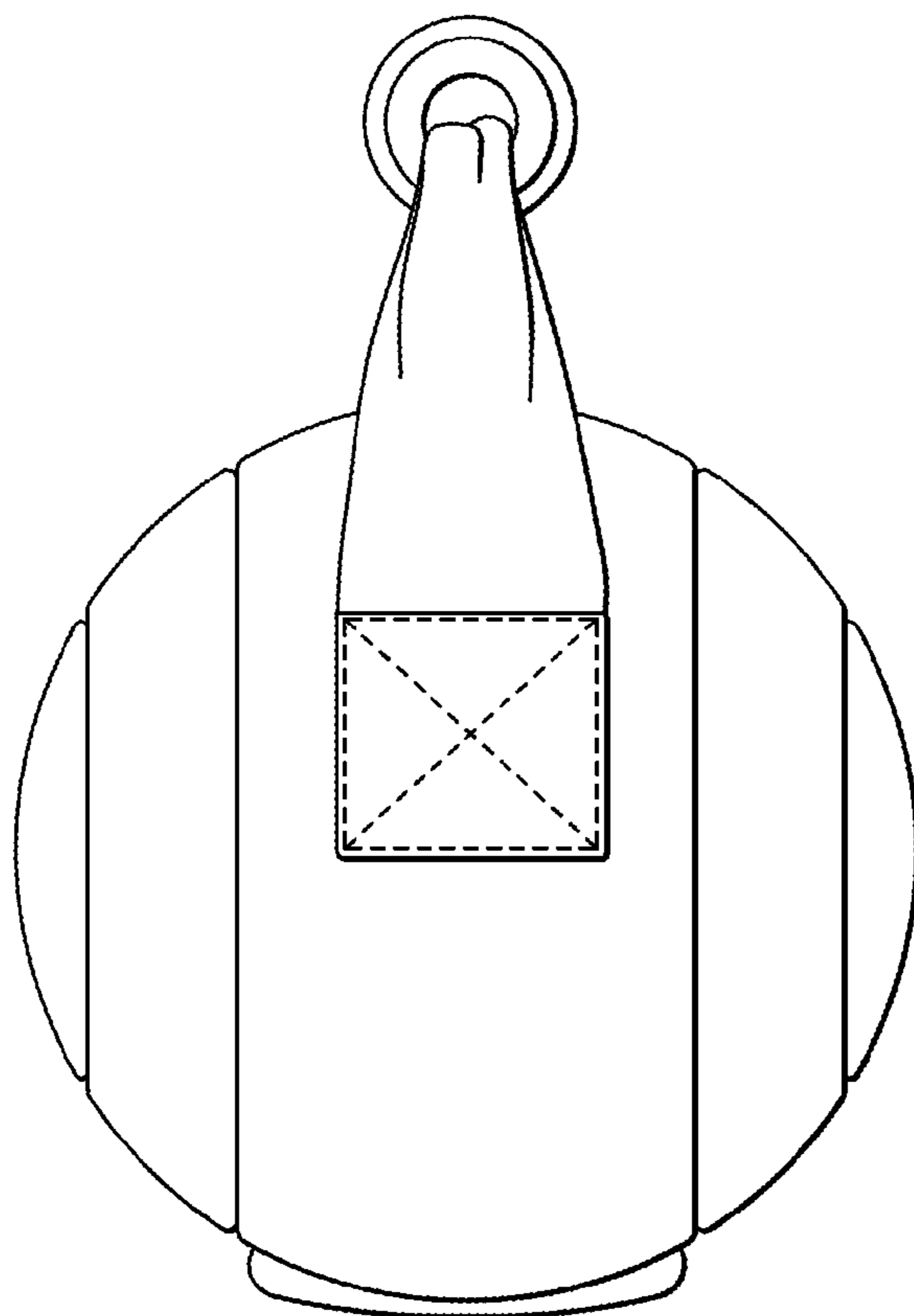


FIG. 2

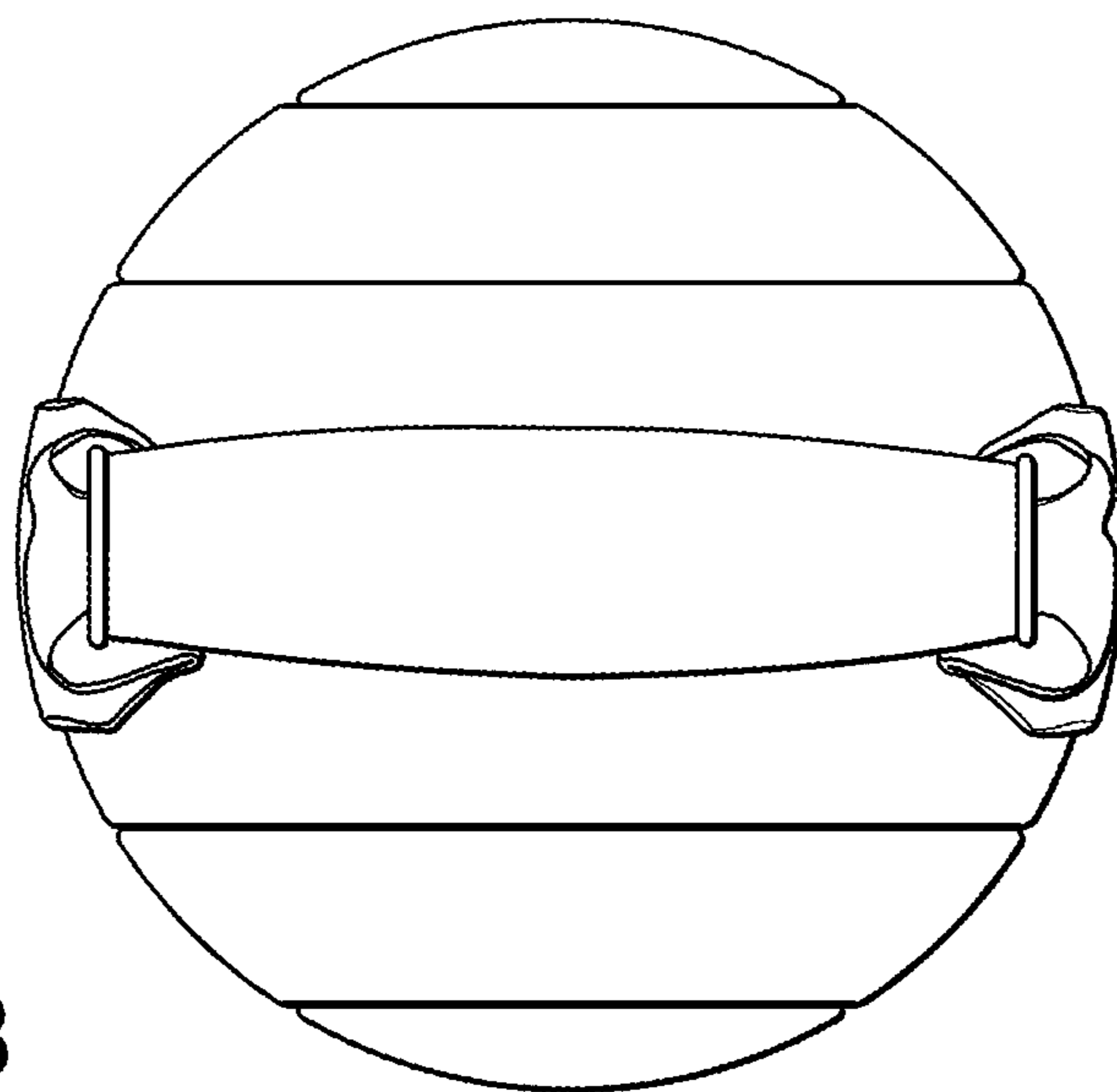


FIG. 3

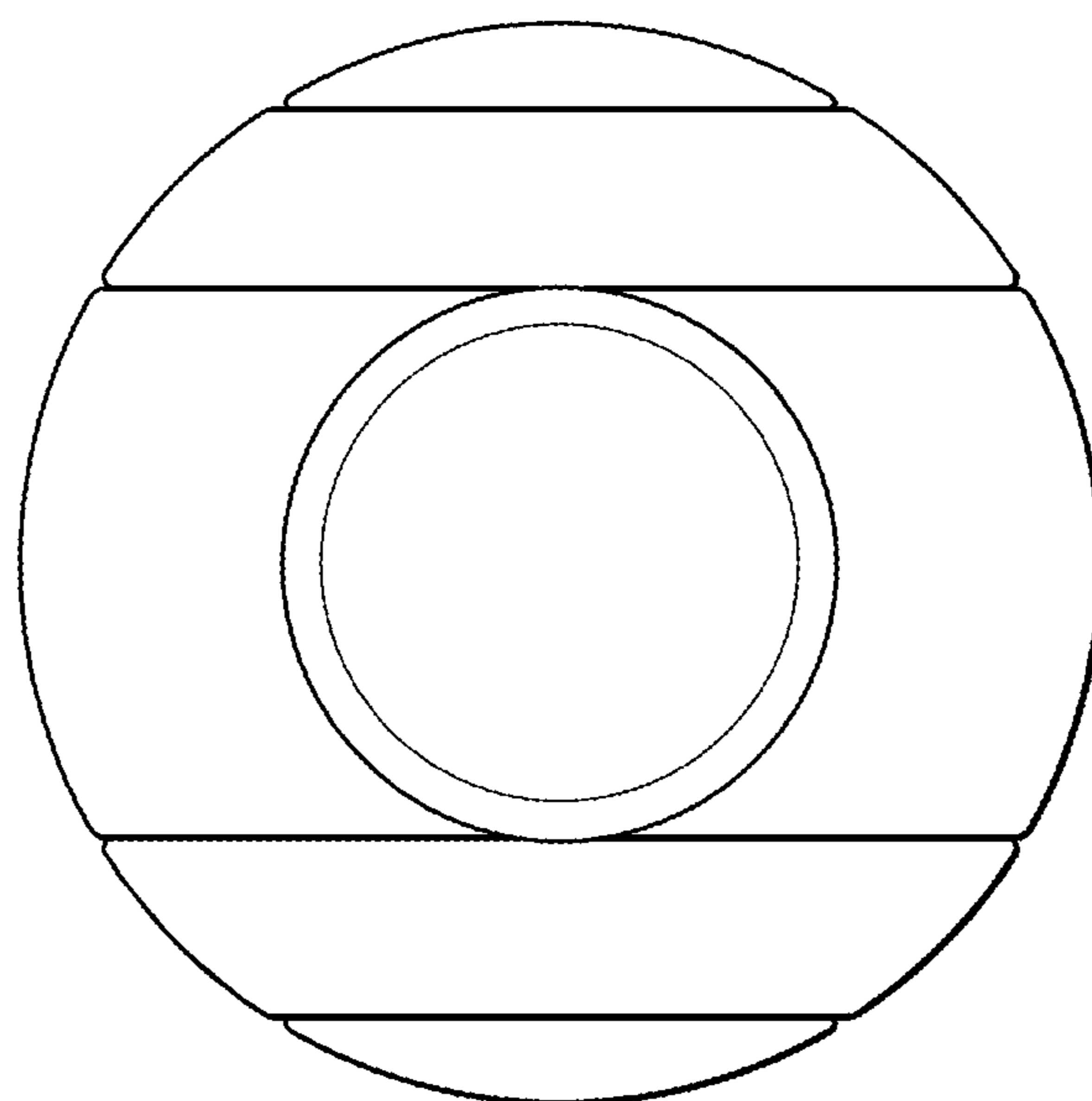


FIG. 4

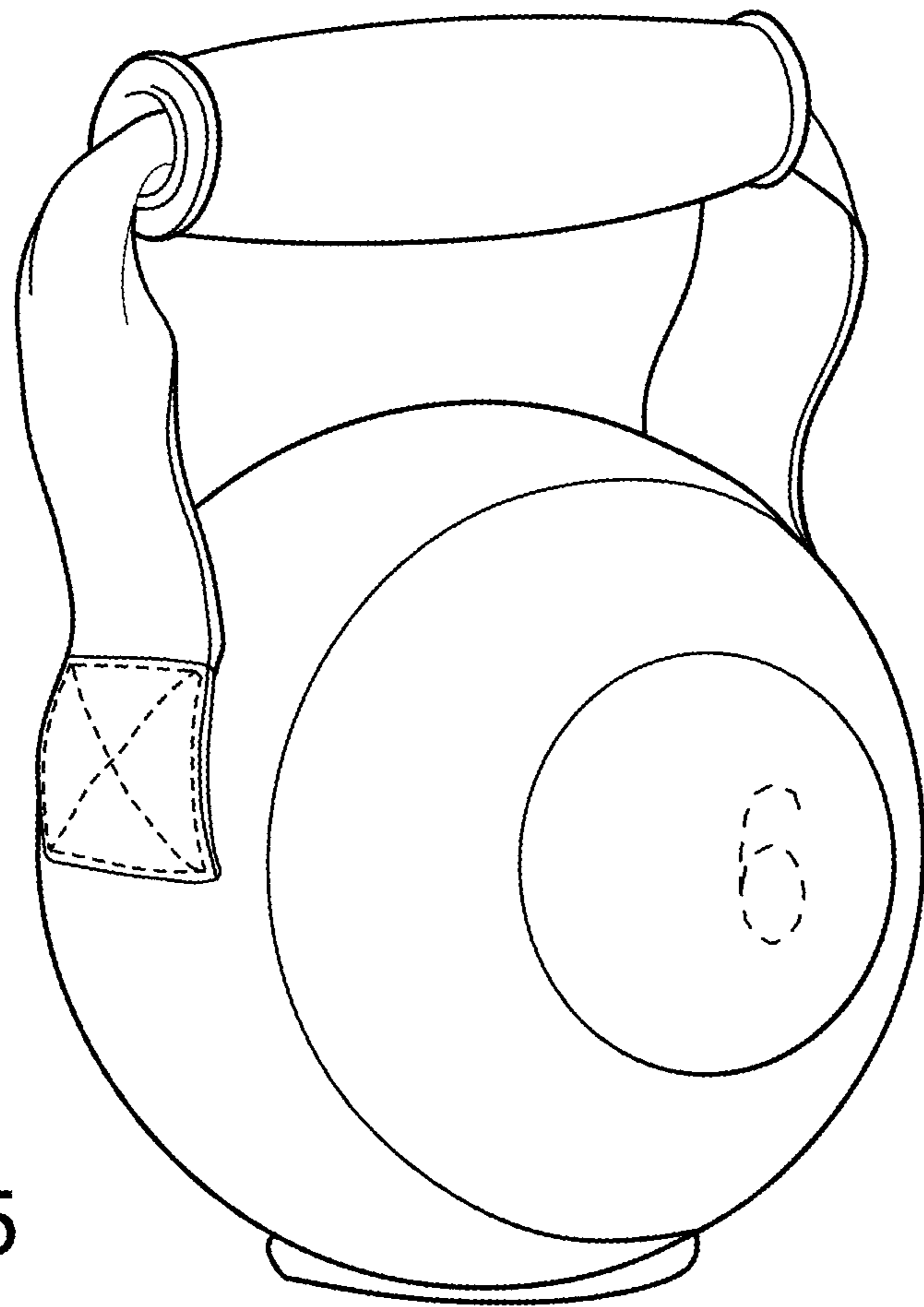


FIG. 5