



US00D685865S

(12) **United States Design Patent**  
**Kuhn**

(10) **Patent No.:** **US D685,865 S**

(45) **Date of Patent:** **\*\* Jul. 9, 2013**

(54) **U-SHAPED WEIGHT EXERCISE BAR**

(76) Inventor: **Steven L. Kuhn**, Aurora, IL (US)

(\*\*) Term: **14 Years**

(21) Appl. No.: **29/429,048**

(22) Filed: **Aug. 7, 2012**

(51) **LOC (9) Cl.** ..... **21-02**

(52) **U.S. Cl.**  
USPC ..... **D21/679**; D21/681

(58) **Field of Classification Search**  
USPC ... D21/662, 673, 679, 680, 681, 694; 482/93,  
482/104–110, 140, 141  
See application file for complete search history.

(56) **References Cited**

U.S. PATENT DOCUMENTS

2,508,567	A *	5/1950	Dymeck	.....	482/106
2,722,419	A	11/1955	Tarapczynski		
4,274,628	A *	6/1981	Hoagland	.....	482/106
4,288,073	A	9/1981	Petrachonies		
D267,420	S	12/1982	Malachowsky		
4,605,222	A	8/1986	Shannon		
D287,526	S *	12/1986	Brockett et al.	.....	D21/681
D290,485	S *	6/1987	Suponitsky	.....	D21/681
4,832,334	A *	5/1989	Mullen	.....	482/106
4,863,158	A *	9/1989	Tassone	.....	482/140
4,900,015	A *	2/1990	Dissinger	.....	482/141
D320,636	S	10/1991	Eckler		
D324,894	S	3/1992	Procello		
D327,517	S *	6/1992	Bowman	.....	D21/681

D327,927	S *	7/1992	Foley	.....	D21/681
D330,738	S *	11/1992	Lenhardt	.....	D21/679
5,221,244	A *	6/1993	Doss	.....	482/106
5,254,063	A *	10/1993	House, Jr.	.....	482/107
5,312,314	A *	5/1994	Stephan et al.	.....	482/110
5,836,858	A *	11/1998	Sharff	.....	482/106
6,004,245	A	12/1999	Boos		
D426,862	S *	6/2000	Sandoval	.....	D21/681
D427,653	S *	7/2000	Sandoval	.....	D21/681
D464,691	S *	10/2002	Tracy	.....	D21/679
6,676,575	B1 *	1/2004	Mayo	.....	482/104
6,945,918	B1 *	9/2005	Hill	.....	482/106
7,112,164	B1 *	9/2006	Hoagland	.....	482/106
D657,010	S *	4/2012	Cen	.....	D21/681
D662,161	S *	6/2012	Miller	.....	D21/662
2010/0323854	A1 *	12/2010	Brandenburg	.....	482/106

\* cited by examiner

*Primary Examiner* — Susan E Krakower

(74) *Attorney, Agent, or Firm* — Kyle Fletcher

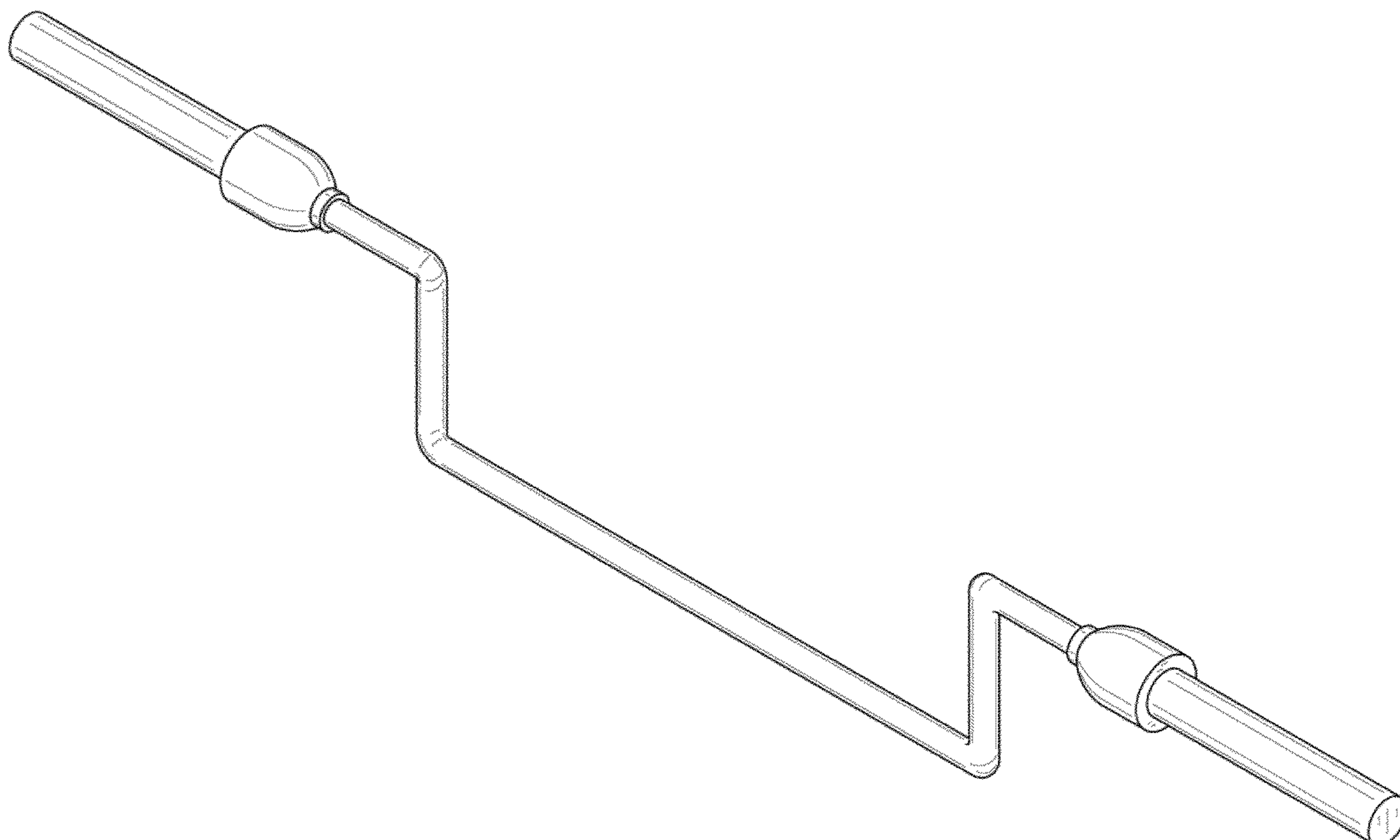
(57) **CLAIM**

I claim the ornamental design for the U-shaped weight exercise bar, as shown and described.

**DESCRIPTION**

FIG. 1 is a front view of the U-shaped weight exercise bar.  
FIG. 2 is a side view of the claimed design.  
FIG. 3 is a top view of the claimed design.  
FIG. 4 is a bottom view of the claimed design; and,  
FIG. 5 is a perspective view of the claimed design.

**1 Claim, 2 Drawing Sheets**



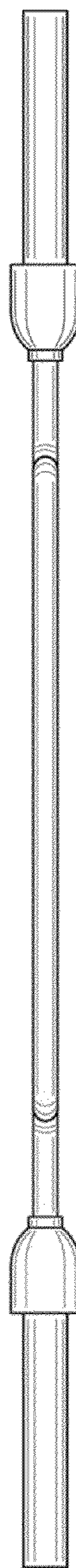
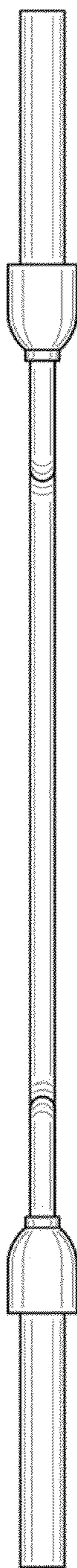
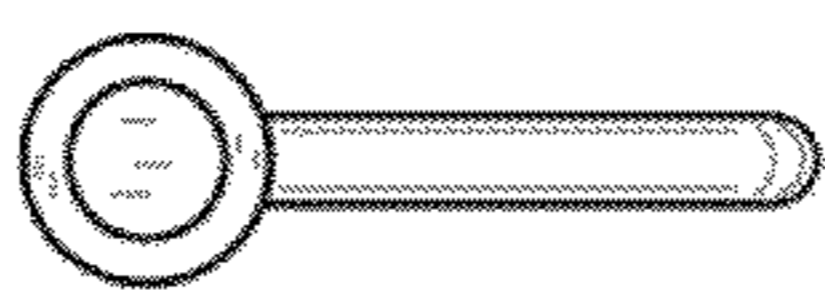
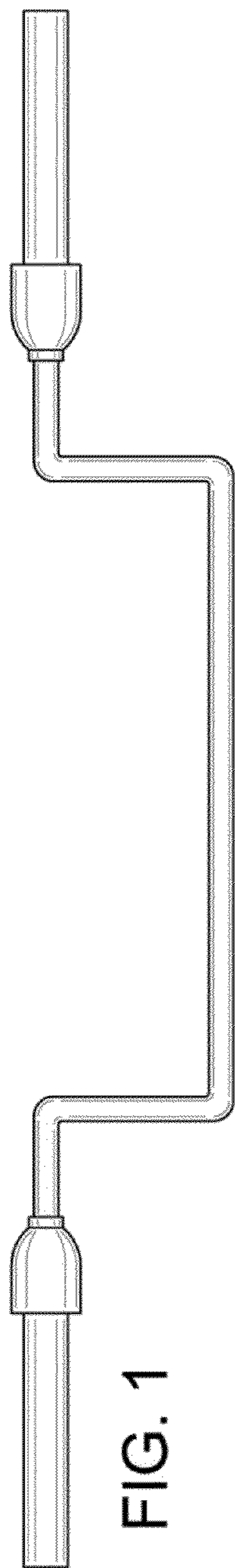


FIG. 1

FIG. 2

FIG. 3

FIG. 4

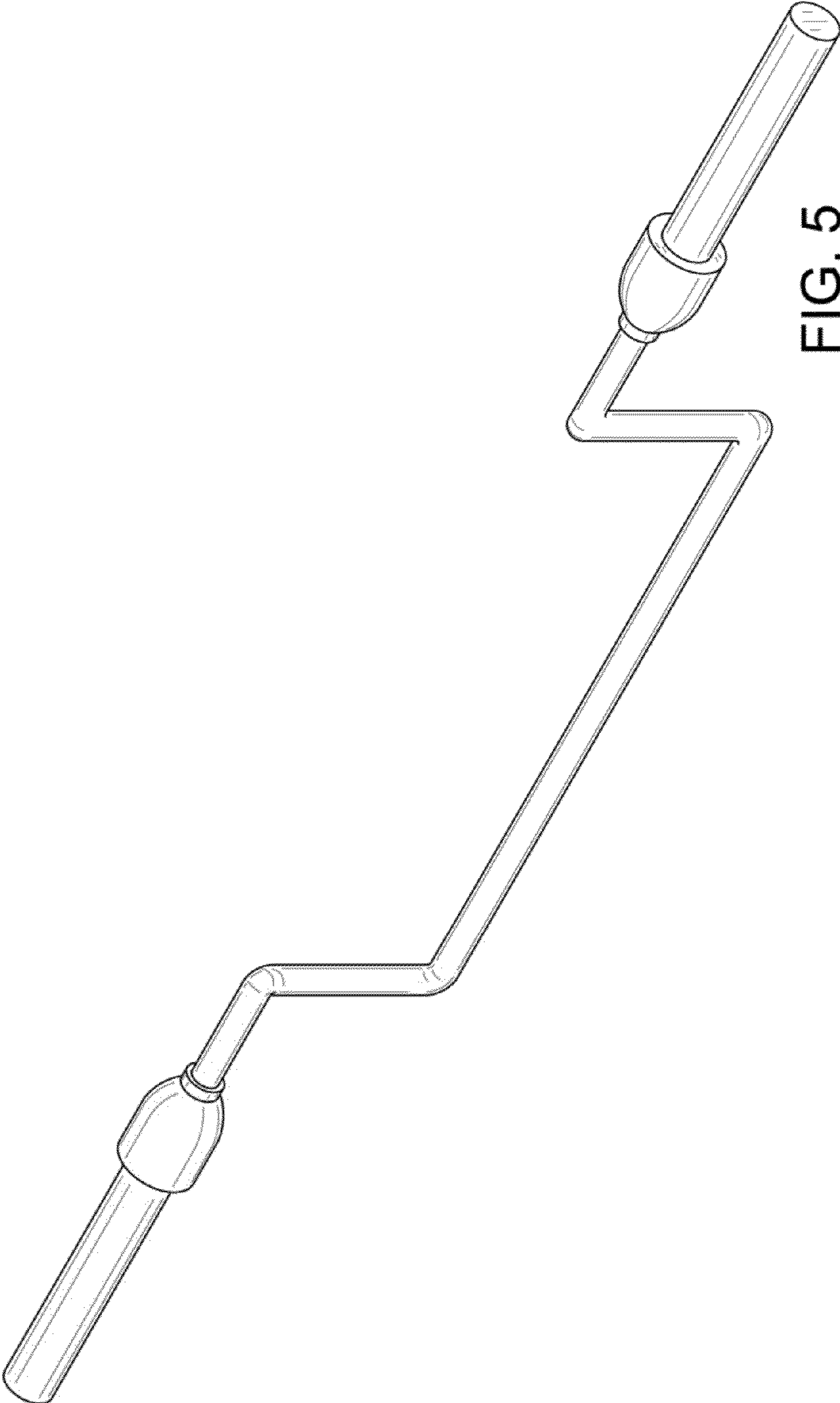


FIG. 5