



US00D685862S

(12) **United States Design Patent**
Martino et al.

(10) **Patent No.:** **US D685,862 S**
(45) **Date of Patent:** **** Jul. 9, 2013**

(54) **TOY VEHICLE HOUSING**

(75) Inventors: **Anthony M. Martino**, Thousand Oaks, CA (US); **Kevin Kai Cao**, Reseda, CA (US)

(73) Assignee: **Mattel, Inc.**, El Segundo, CA (US)

(**) Term: **14 Years**

(21) Appl. No.: **29/397,872**

(22) Filed: **Jul. 21, 2011**

(51) **LOC (9) Cl.** **21-01**

(52) **U.S. Cl.**
USPC **D21/533**

(58) **Field of Classification Search**
USPC D14/137, 138, 143, 144, 147, 148,
D14/149, 150, 168, 170–171, 188, 189,
D14/193–198, 207, 218, 250; D21/516, 532,
D21/539, 548, 549, 550, 551; 446/431,
446/447–448, 456, 465–466; 455/344, 350,
455/351; D3/263

See application file for complete search history.

(56) **References Cited**

U.S. PATENT DOCUMENTS

1,990,793	A *	2/1935	Matsumoto	446/470
D95,791	S *	6/1935	Baetz	D21/548
D142,229	S *	8/1945	Roach	D21/550
4,132,028	A	1/1979	Ogawa	
4,193,639	A	3/1980	Pauly et al.	
4,299,051	A	11/1981	Pauly et al.	
D266,342	S *	9/1982	Wilkes	D21/549
4,406,085	A	9/1983	Rhodes	
D279,591	S *	7/1985	Ogawa	D21/580

(Continued)

FOREIGN PATENT DOCUMENTS

DE	19902852	7/2000
EP	0281427	9/1988

(Continued)

OTHER PUBLICATIONS

Joanna Stern. Hot Wheels Video Racer has a VGA camera under its hood, confirms that kids have it all. Engadget. Jan. 21, 2010 [online],

[retrieved on Oct. 1, 2012]. Retrieved from the Internet <URL: <http://www.engadget.com/2011/01/21/hot-wheels-video-racer-has-a-vga-camera-under-its-hood-confirms/>>.*

(Continued)

Primary Examiner — Philip S Hyder

Assistant Examiner — Darlington Ly

(74) *Attorney, Agent, or Firm* — Kolisch Hartwell, PC

(57) **CLAIM**

We claim the ornamental design for a toy vehicle housing, as shown and described.

DESCRIPTION

FIG. 1 shows a top front right perspective view of a toy vehicle housing in a closed position.

FIG. 2 shows a top rear left perspective view of the toy vehicle housing of FIG. 1.

FIG. 3 shows a right side view of the toy vehicle housing of FIG. 1.

FIG. 4 shows a left side view of the toy vehicle housing of FIG. 1.

FIG. 5 shows a front view of the toy vehicle housing of FIG. 1.

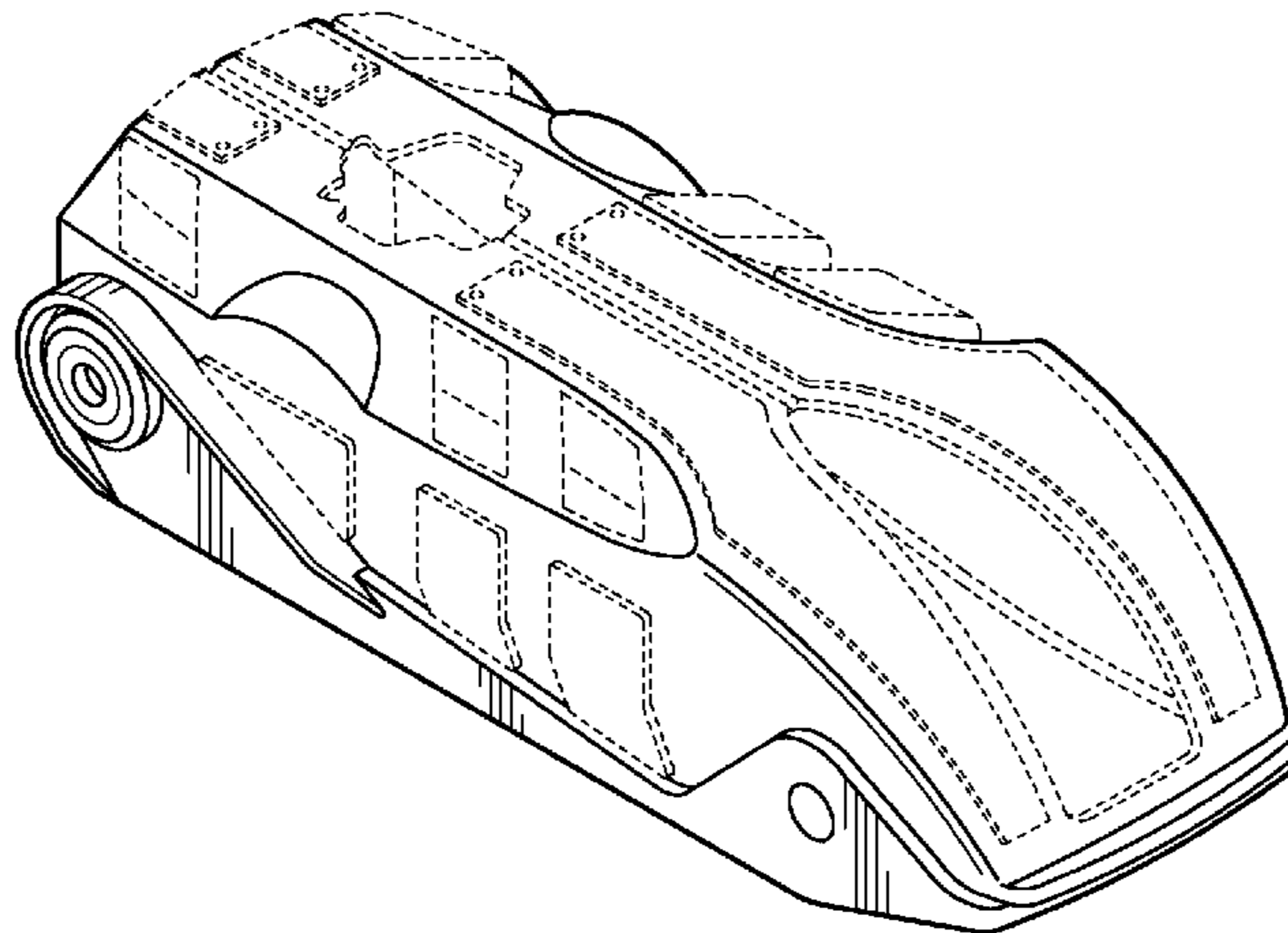
FIG. 6 shows a rear view of the toy vehicle housing of FIG. 1.

FIG. 7 shows a top view of the toy vehicle housing of FIG. 1; and,

FIG. 8 shows a bottom view of the toy vehicle housing of FIG. 1.

The broken lines shown in the drawings illustrate portions of the toy vehicle housing that form no part of the claimed design.

1 Claim, 3 Drawing Sheets



US D685,862 S

Page 2

U.S. PATENT DOCUMENTS

D301,355	S *	5/1989	Doi	D21/581
D311,882	S *	11/1990	Furst	D12/92
4,986,187	A	1/1991	Booth et al.		
5,035,382	A	7/1991	Lissaman et al.		
5,174,593	A	12/1992	Chapman		
5,350,033	A	9/1994	Kraft		
5,481,257	A	1/1996	Brubaker et al.		
5,555,019	A	9/1996	Dole		
5,596,319	A	1/1997	Spry		
D424,633	S *	5/2000	Hollis et al.	D21/548
6,155,835	A	12/2000	Shercliff		
6,224,227	B1	5/2001	Kloutz		
6,264,521	B1	7/2001	Hernandez		
6,293,798	B1	9/2001	Boyle et al.		
6,497,608	B2	12/2002	Ho et al.		
6,520,642	B1	2/2003	Chapman		
6,535,793	B2	3/2003	Allard		
6,547,624	B1	4/2003	Bojesen et al.		
6,568,983	B1	5/2003	Peters		
6,612,658	B1	9/2003	Oumedian		
6,632,121	B2	10/2003	Edmisson et al.		
6,692,329	B2	2/2004	Peters		
6,733,360	B2	5/2004	Dooley et al.		
6,746,304	B1	6/2004	Liu		
6,752,720	B1	6/2004	Clapper et al.		
6,811,492	B1	11/2004	Arakawa et al.		
6,954,695	B2	10/2005	Bonilla et al.		
D541,354	S *	4/2007	Campbell et al.	D21/581
D542,362	S *	5/2007	Campbell	D21/581
7,402,964	B1	7/2008	Calhoun		
D576,523	S *	9/2008	Battams et al.	D12/88
7,445,539	B2	11/2008	Laurienzo et al.		
7,494,398	B2	2/2009	Laurienzo		
D587,629	S *	3/2009	Crijns	D12/88
7,704,119	B2	4/2010	Evans		

7,731,588	B2	6/2010	Templeman		
7,762,731	B2	7/2010	Arbuckle et al.		
7,777,969	B2	8/2010	Shirono et al.		
2001/0015766	A1	8/2001	Marchesini		
2001/0045978	A1	11/2001	McConnell et al.		
2002/0106965	A1	8/2002	Dooley et al.		
2003/0190856	A1	10/2003	Peters		
2003/0232649	A1	12/2003	Gizis et al.		
2004/0251650	A1	12/2004	Katsuyama et al.		
2006/0223635	A1	10/2006	Rosenberg		
2006/0293102	A1	12/2006	Kelsey		
2009/0004948	A1	1/2009	Ando et al.		
2009/0140570	A1	6/2009	Houkal		
2010/0081357	A1	4/2010	Alles		
2012/0052767	A1*	3/2012	Martino et al.	446/465

FOREIGN PATENT DOCUMENTS

EP	1310280	5/2003
JP	10043439	2/1998
WO	0156676	8/2001

OTHER PUBLICATIONS

Carol Mangis. Hot Wheels makes RC cars pocketable. Consumer Reports. Feb. 17, 2011 [online], [retrieved on Oct. 1, 2012]. Retrieved from the Internet <URL: <http://news.consumerreports.org/electronics/2011/02/mattel-hot-wheels-video-racer.html>>.*

straylor. Mattel Hot Wheels Video Racer: Get footage from a toy's-eye view .YouTube. Jan. 9, 2011 [online], [retrieved on Oct. 1, 2012]. Retrieved from the Internet <URL: <http://www.youtube.com/watch?v=1xujxUWs-rs>>.*

www.halfbakery.com; "A Matchbox Car Camera: Inside Perspective on Toy Car Stunts"; Jul. 12, 2000; 3 pages; http://www.halfbakery.com/idea/A_20Matchbox_20Car_20_Camera.

* cited by examiner

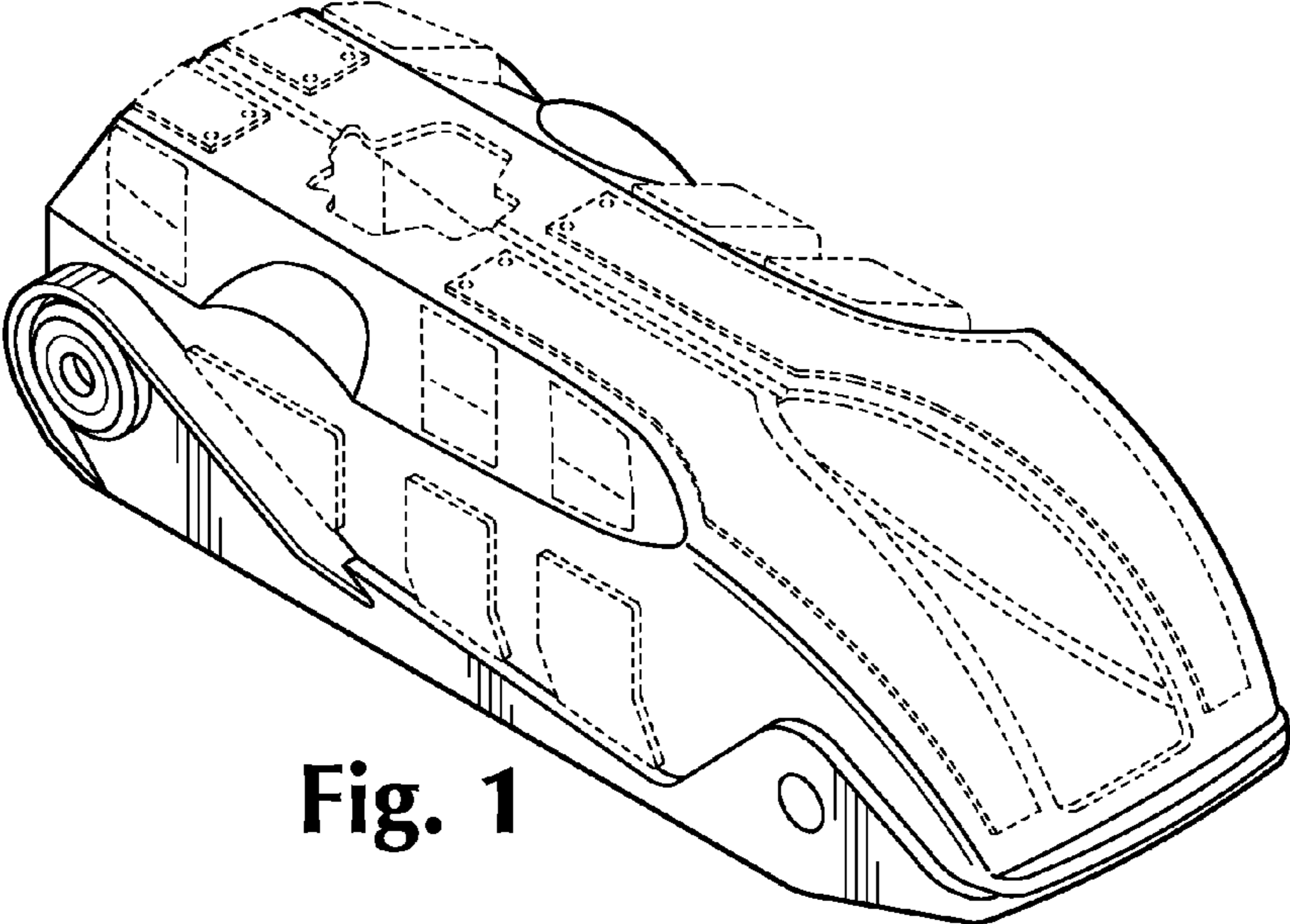


Fig. 1

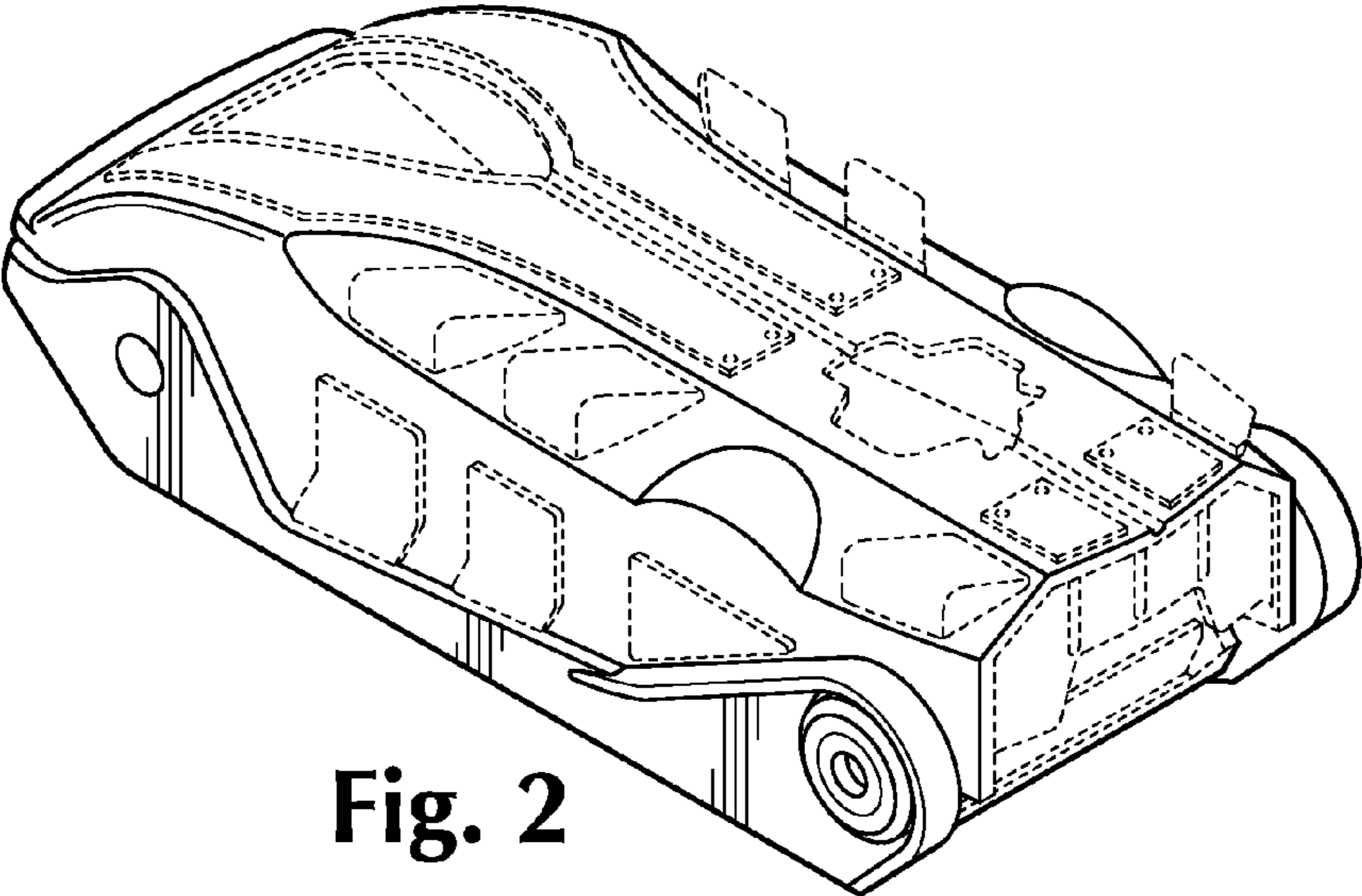


Fig. 2

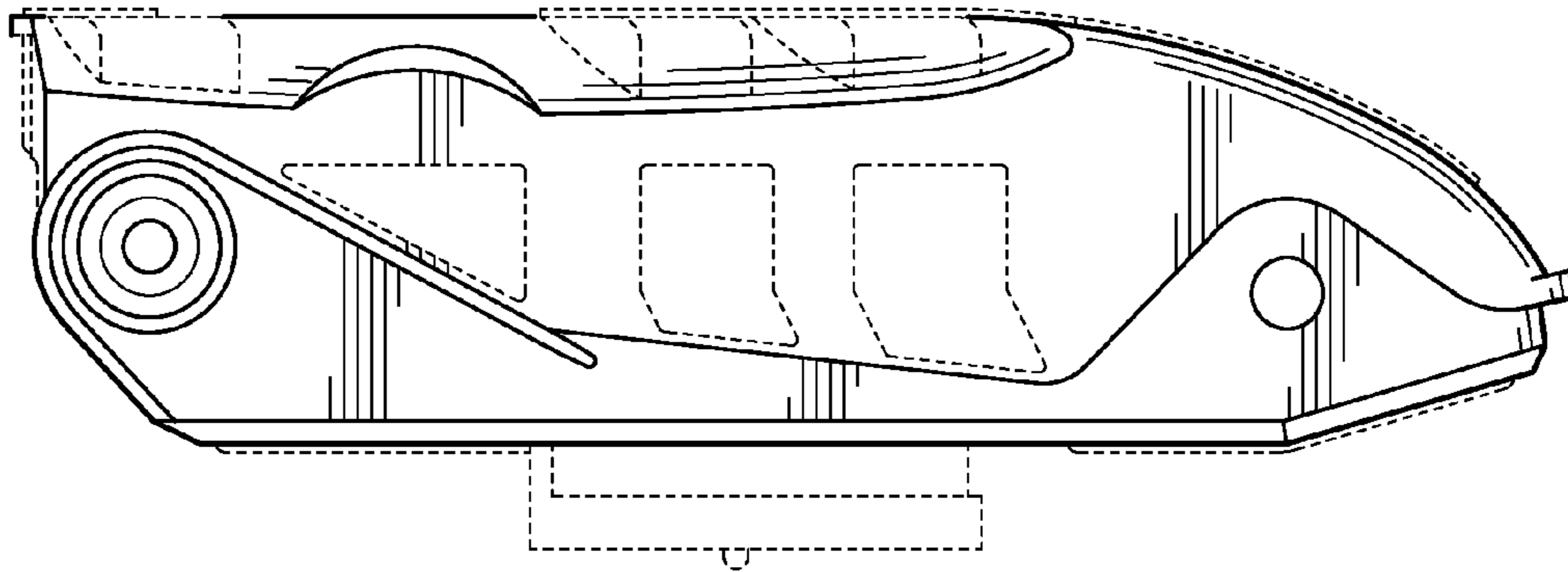


Fig. 3

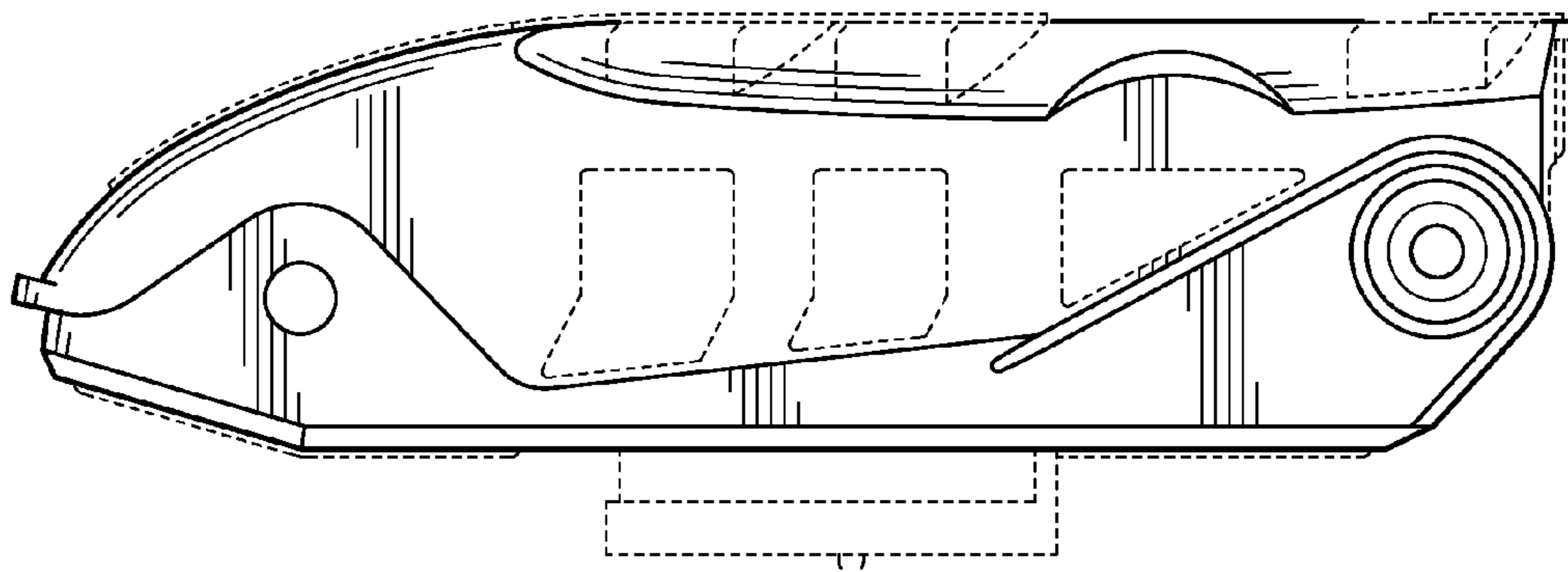


Fig. 4

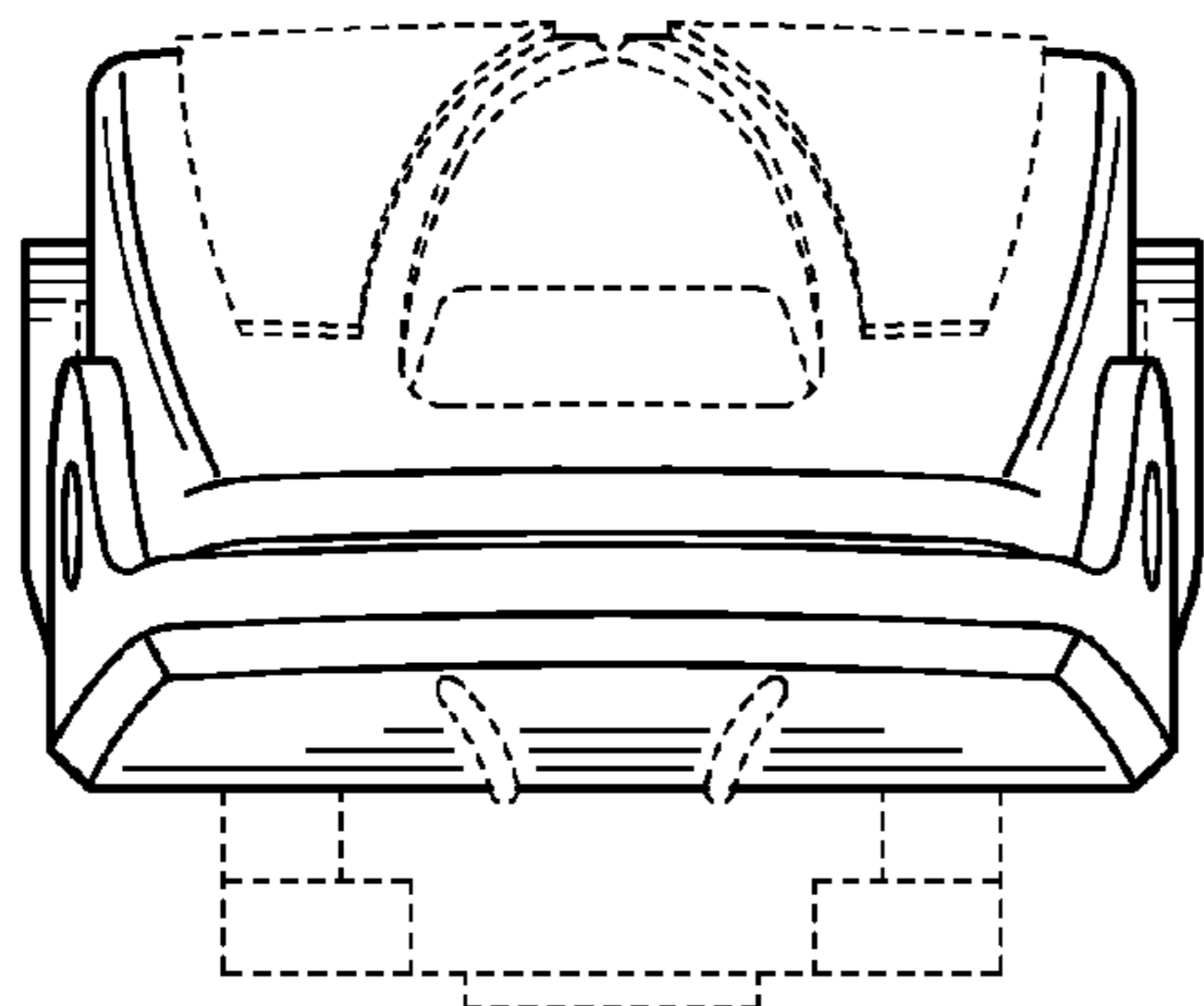


Fig. 5

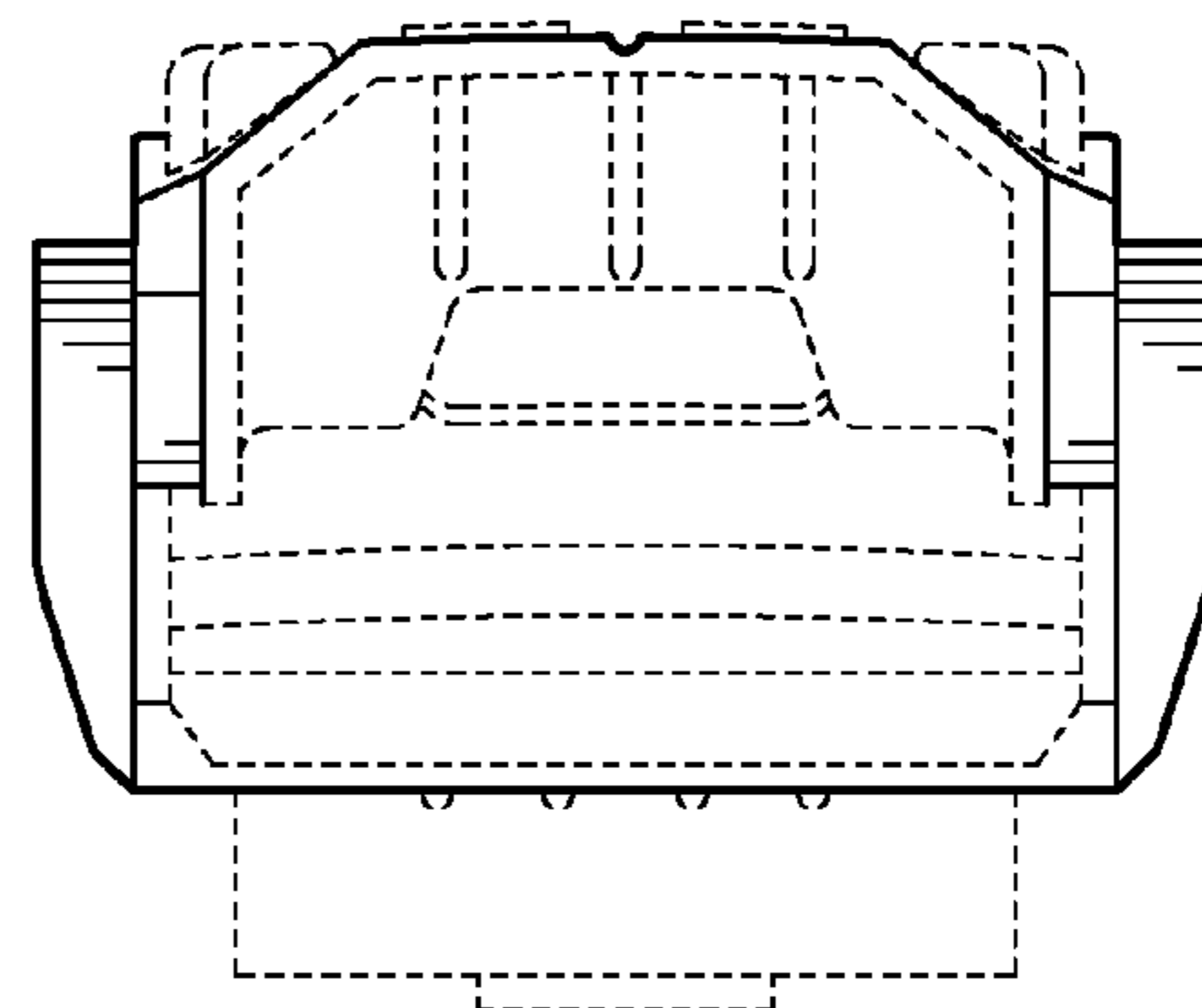


Fig. 6

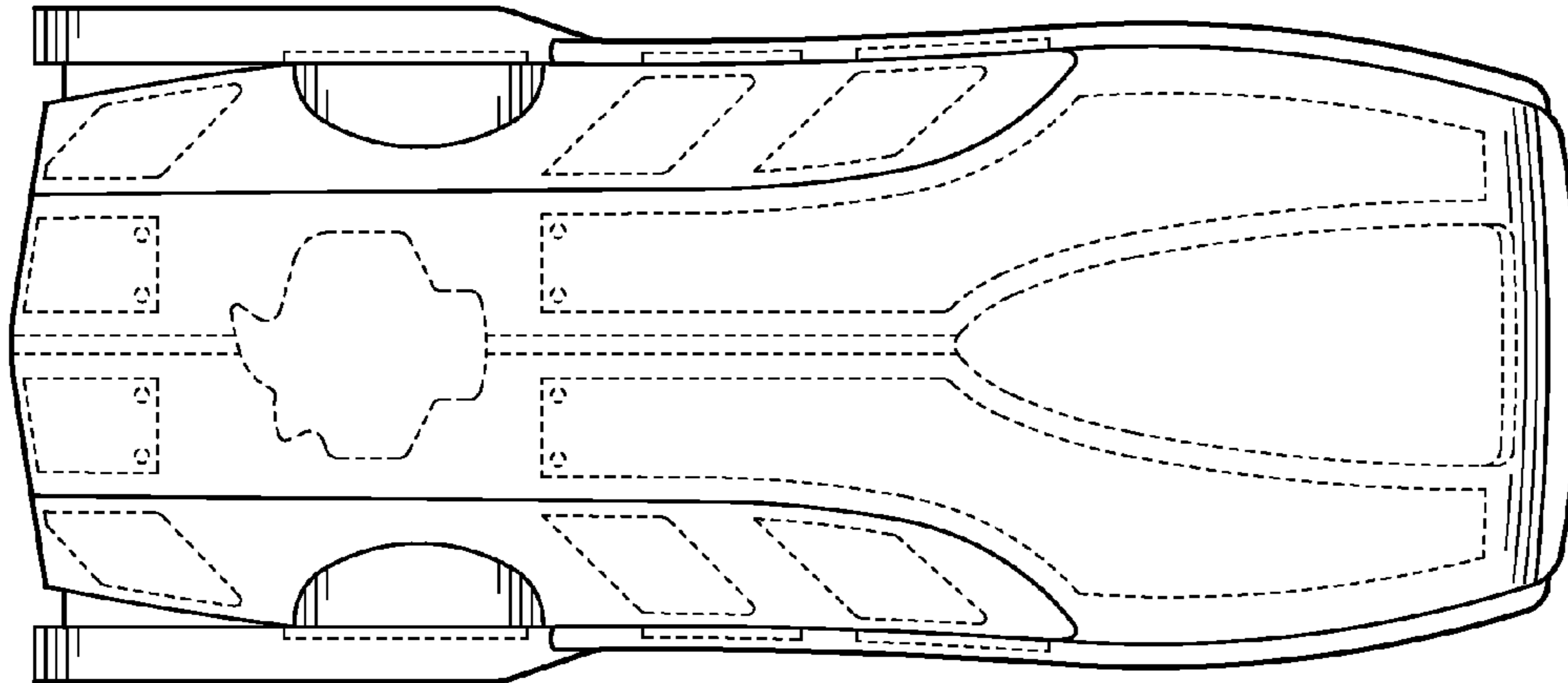


Fig. 7

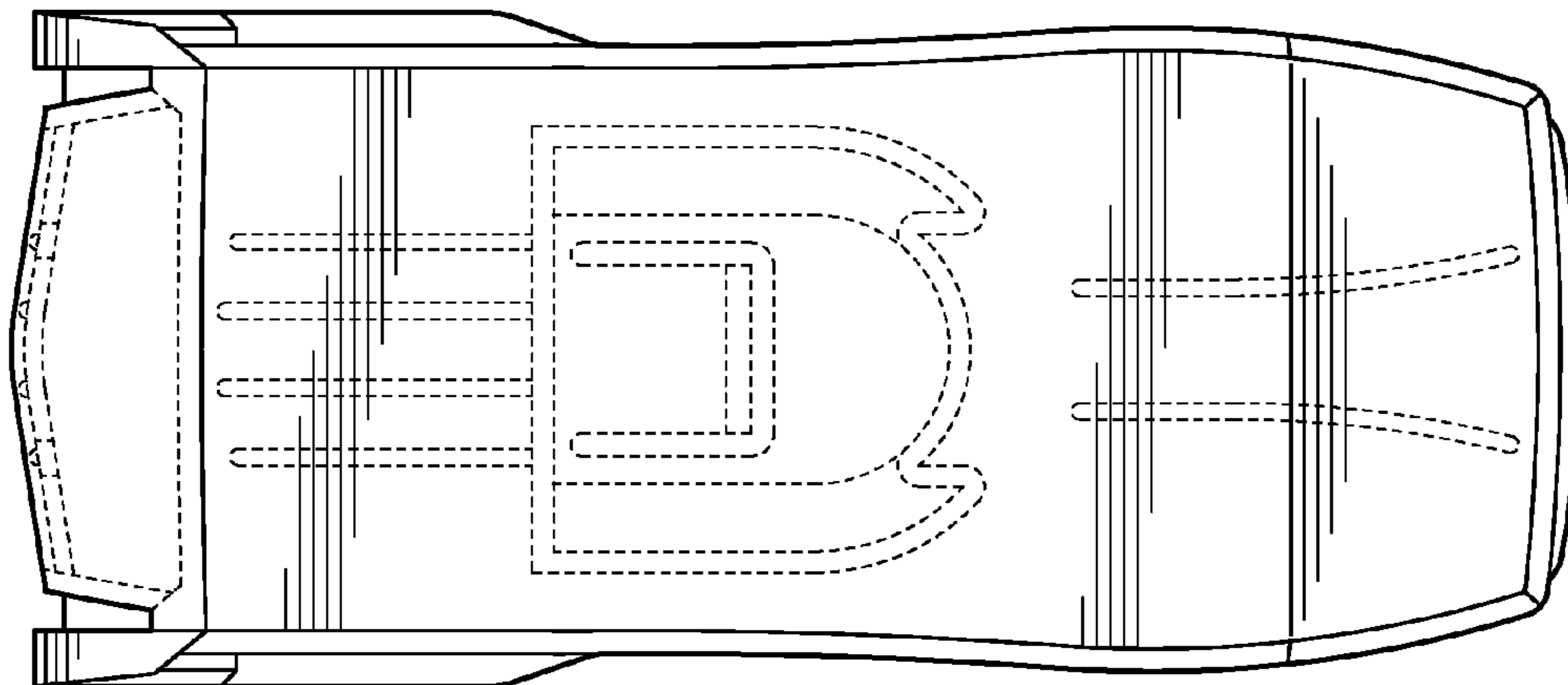


Fig. 8