



US00D685861S

(12) **United States Design Patent**
Holman

(10) **Patent No.:** **US D685,861 S**
(45) **Date of Patent:** **** Jul. 9, 2013**

(54) **PLAY CONSTRUCTION KIT**

(75) Inventor: **Cas Holman**, Syracuse, NY (US)

(73) Assignee: **Cas Holman**, Providence, RI (US)

(**) Term: **14 Years**

(21) Appl. No.: **29/400,552**

(22) Filed: **Aug. 30, 2011**

(51) **LOC (9) Cl.** **21-01**

(52) **U.S. Cl.**
USPC **D21/484**

(58) **Field of Classification Search**

USPC ... D21/386, 389, 404, 480, 484–505; 446/69,
446/85, 92, 99, 102–128, 221; 434/96, 97,
434/208, 211, 212, 216, 259, 365, 403; 273/153
R, 155, 156, 157 R, 160, 271, 276, 288, 293;
D25/113–116, 118

See application file for complete search history.

(56) **References Cited**

U.S. PATENT DOCUMENTS

810,148	A *	1/1906	Hornby	295/43
1,166,688	A *	1/1916	Hornby	403/218
1,779,826	A *	10/1930	Potter	446/116
1,860,627	A *	5/1932	Sherman	446/113
1,996,722	A *	4/1935	Gilbert et al.	446/116
2,496,810	A *	2/1950	Nerrie	434/160
2,577,702	A *	12/1951	De Swart	446/96
2,609,638	A *	9/1952	Lindenmeyer	446/126
3,228,137	A *	1/1966	Runser	446/111
3,315,376	A *	4/1967	Nielsen	434/160
3,355,837	A *	12/1967	Pedersen	446/94
D258,830	S *	4/1981	Sigg	D21/497
4,585,422	A *	4/1986	Kay	446/106
4,589,853	A *	5/1986	Hidvegi	446/123
5,304,086	A *	4/1994	Bolli et al.	446/108
D367,085	S *	2/1996	Donly	D21/486
5,816,882	A *	10/1998	Guegan et al.	446/123
6,190,231	B1 *	2/2001	Hoberman	446/487
8,210,898	B2 *	7/2012	Johnson	446/487

* cited by examiner

Primary Examiner — Cynthia M Chin

(57) **CLAIM**

The ornamental design for a play construction kit, as shown and described.

DESCRIPTION

FIG. 1 is a front, left, top perspective view of a first part of the kit for play construction assembly of the present invention; FIG. 2 is the enlarged top plan view of FIG. 1, the enlarged bottom plan view being a mirror image thereof; FIG. 3 is the front elevational view of FIG. 1, the back elevational view being a mirror image thereof; FIG. 4 is the left elevational view of FIG. 1, the right elevational view being a mirror image thereof; FIG. 5 is a front, left, top perspective view of a second part of the kit for play construction assembly of the present invention; FIG. 6 is the enlarged top plan view of FIG. 5, the enlarged bottom plan view being a mirror image thereof; FIG. 7 is the front elevational view of FIG. 5; FIG. 8 is the back elevational view of FIG. 5; FIG. 9 is the left elevational view of FIG. 5; FIG. 10 is a front, left, top perspective view of a third part of the kit for play construction assembly of the present invention; FIG. 11 is the top plan view of FIG. 10, enlarged; FIG. 12 is the bottom plan view of FIG. 10, enlarged; FIG. 13 is the front elevational view of FIG. 10; FIG. 14 is the rear elevational view of FIG. 10; FIG. 15 is the left elevational view of FIG. 10, the right elevational view being a mirror image thereof; FIG. 16 is a front, left, top perspective view of a fourth part of the kit for play construction assembly of the present invention; FIG. 17 is the enlarged top plan view of FIG. 16; FIG. 18 is the enlarged bottom plan view of FIG. 16; FIG. 19 is the front elevational view of FIG. 16; FIG. 20 is the rear elevational view of FIG. 16; FIG. 21 is the left elevational view of FIG. 16; the right elevation view being a mirror image thereof; FIG. 22 is a front, left, top perspective view of a fifth part of the kit for play construction assembly of the present invention;

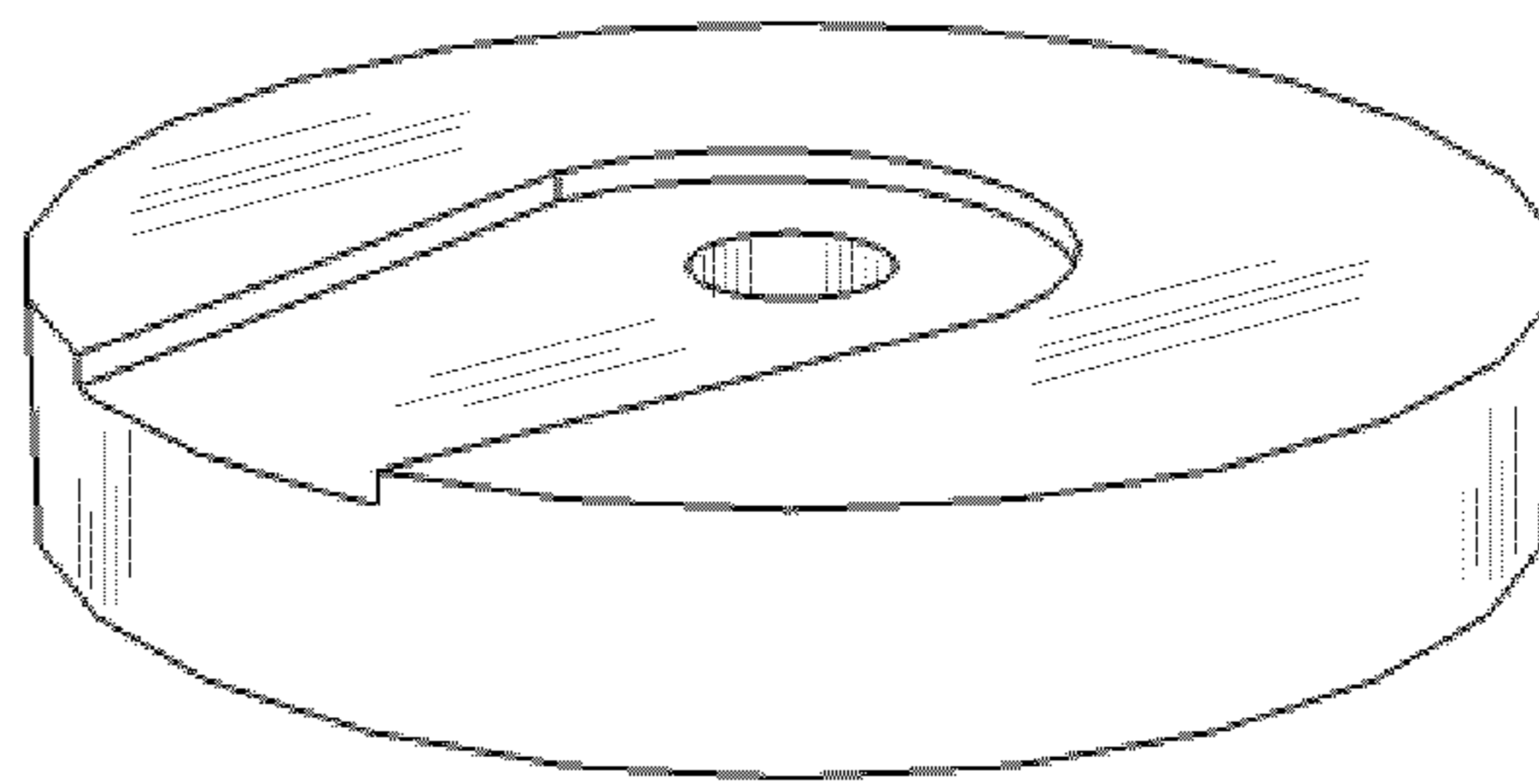
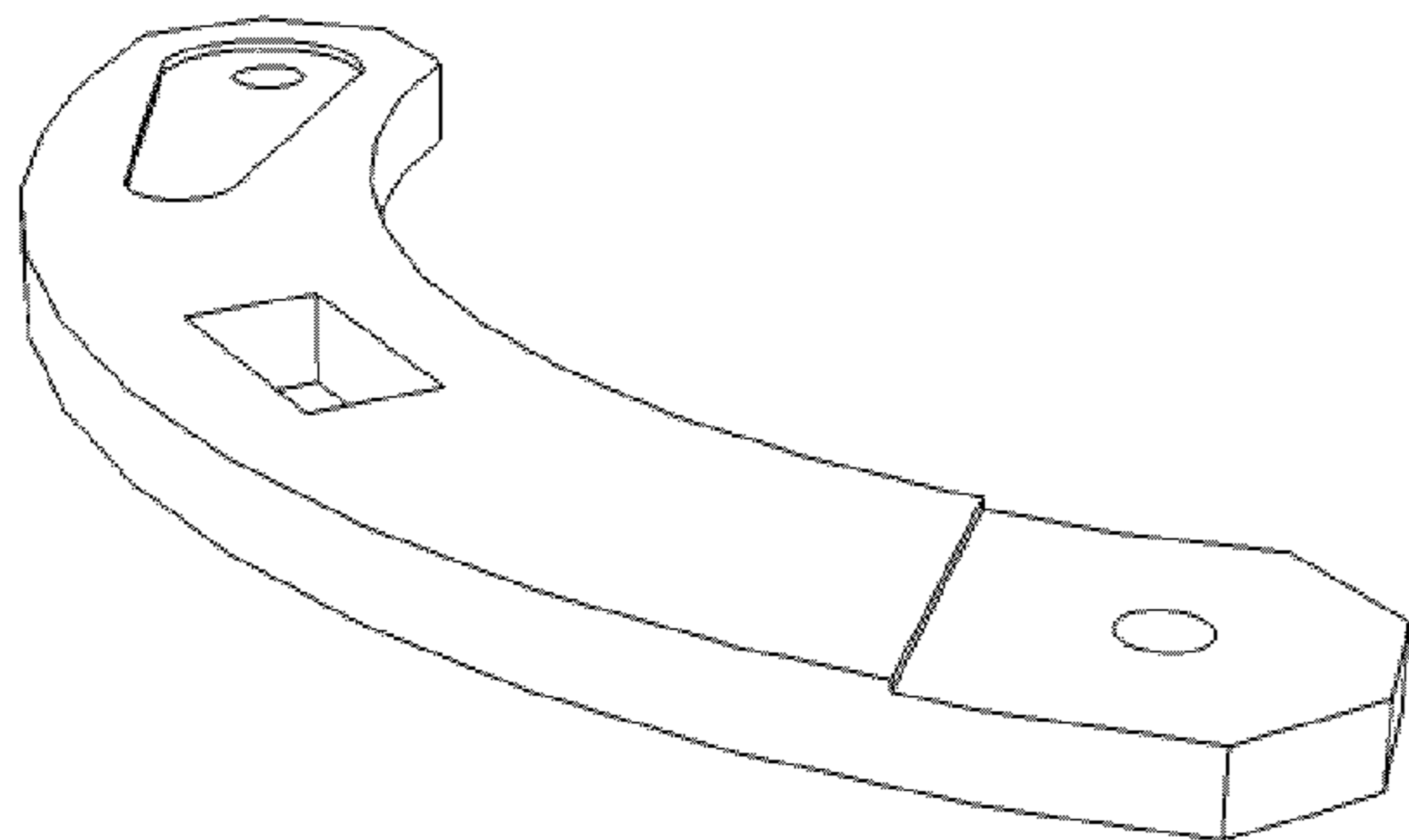


FIG. 23 is the back, right, top perspective view of FIG. 22, the bottom elevational view being a mirror image thereof;
FIG. 24 is the front elevational view of FIG. 22;
FIG. 25 is the rear elevational view of FIG. 22;
FIG. 26 is the right elevational view of FIG. 22;
FIG. 27 is the left elevational view of FIG. 22;
FIG. 28 is the front, left, top perspective view of a sixth part of the kit for play construction assembly of the present invention;
FIG. 29 is the top perspective view of FIG. 28, the bottom perspective view being a mirror image thereof;
FIG. 30 is the front perspective view of FIG. 28;
FIG. 31 is the left elevational view of FIG. 28, the right elevational view being a mirror image thereof;
FIG. 32 is a front, left, top perspective view of a seventh part of the kit for play construction assembly of the present invention;
FIG. 33 is the front elevational view of FIG. 32;
FIG. 34 is the left elevational view of FIG. 32, the right elevational view being a mirror image thereof;
FIG. 35 is an enlarged front, left, top perspective view of an eighth part of the kit for play construction assembly of the present invention;
FIG. 36 is the front elevational view of FIG. 35, the rear elevational view being a mirror image thereof;
FIG. 37 is the left elevational view of FIG. 35, the right elevational view being a mirror image thereof;
FIG. 38 is a front, left, top perspective view of a ninth part of the kit for play construction assembly of the present invention;
FIG. 39 is a rear, right, top perspective view of FIG. 38;

FIG. 40 is the top plan view of FIG. 38, the bottom plan view being a mirror image thereof;
FIG. 41 is the left elevational view of FIG. 38, the right elevational view being a mirror image thereof;
FIG. 42 is a front, left, top perspective view of a tenth part of the kit for play construction assembly of the present invention;
FIG. 43 is the front elevational view of FIG. 42, the rear elevational view being a mirror image thereof;
FIG. 44 is the left elevational view of FIG. 42, the right elevational view being a mirror image thereof;
FIG. 45 is an enlarged front, left, top perspective view of an eleventh part of the kit for play construction assembly of the present invention;
FIG. 46 is the front elevational view of FIG. 45, the rear elevational view being a mirror image thereof;
FIG. 47 is the left elevational view of FIG. 45;
FIG. 48 is an enlarged front, left, top perspective view of a twelfth part of the kit for play construction assembly of the present invention;
FIG. 49 is the front elevational view of FIG. 48;
FIG. 50 is the rear elevational view of FIG. 48;
FIG. 51 is the top plan view of FIG. 48, the bottom plan view being a mirror image thereof;
FIG. 52 is the left elevational view of FIG. 48; and,
FIG. 53 is a perspectival view of an example of one type of assembly possible with parts in the kit for play construction. The broken lines represent the environment in which the article resides and forms no part of the claim.

1 Claim, 27 Drawing Sheets

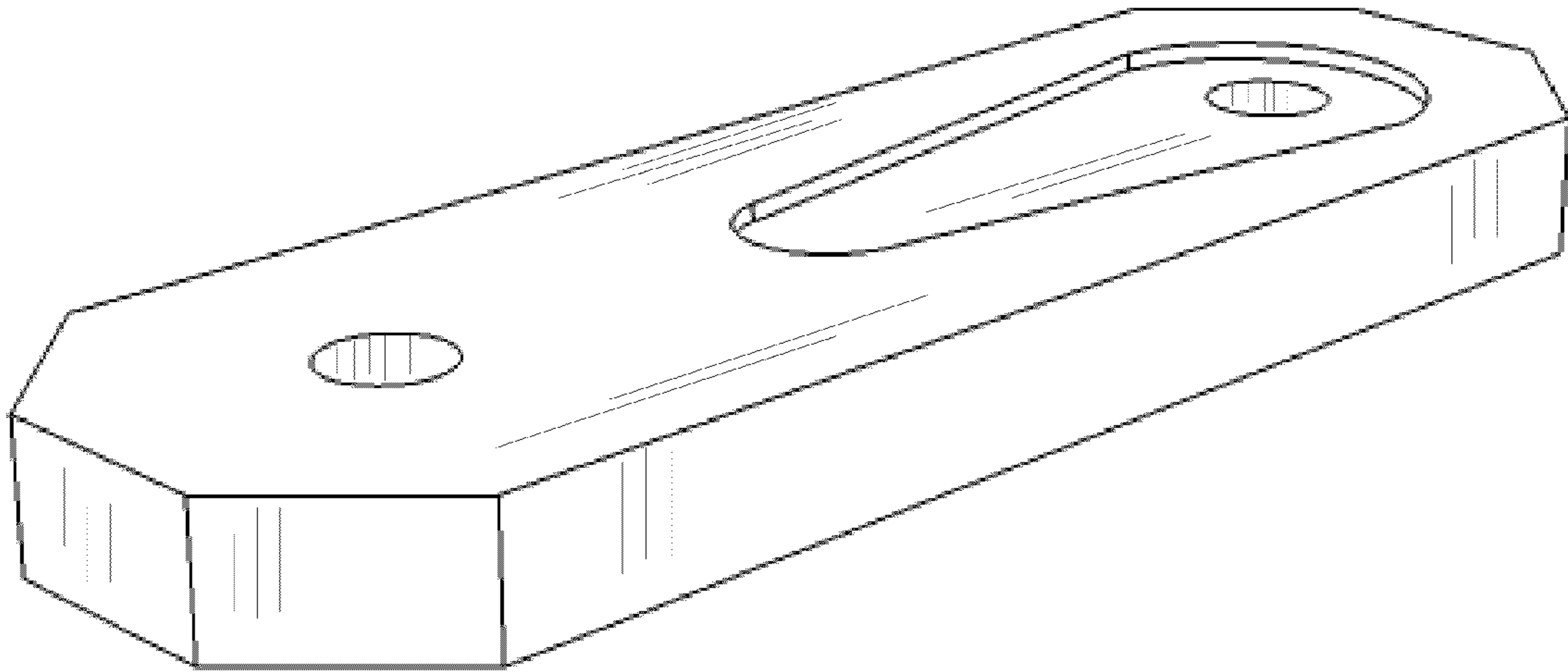


Fig 1



Fig 2

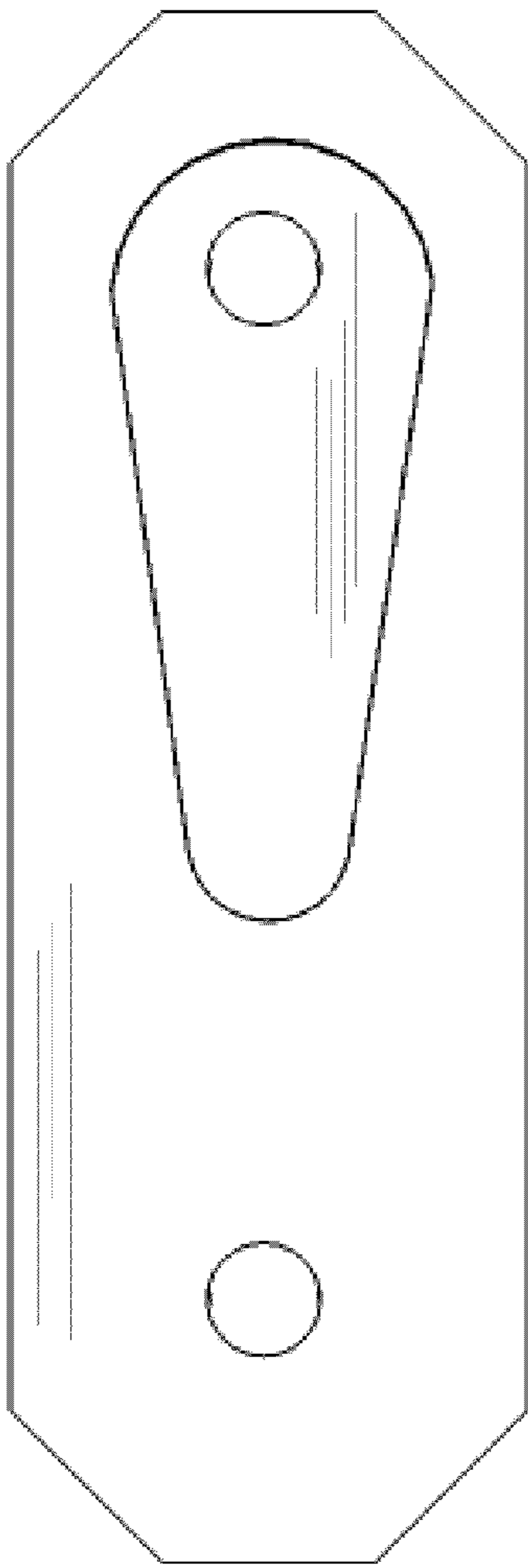


Fig 3

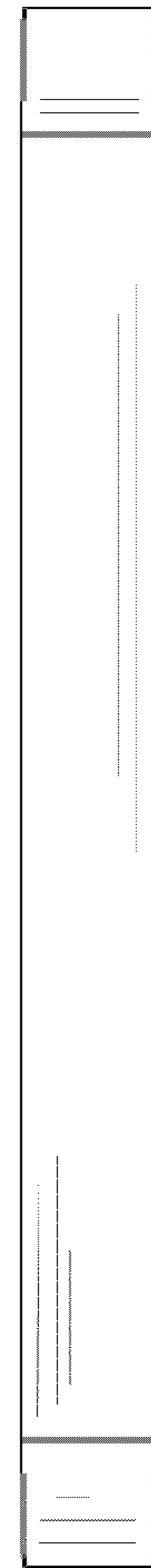


Fig 4

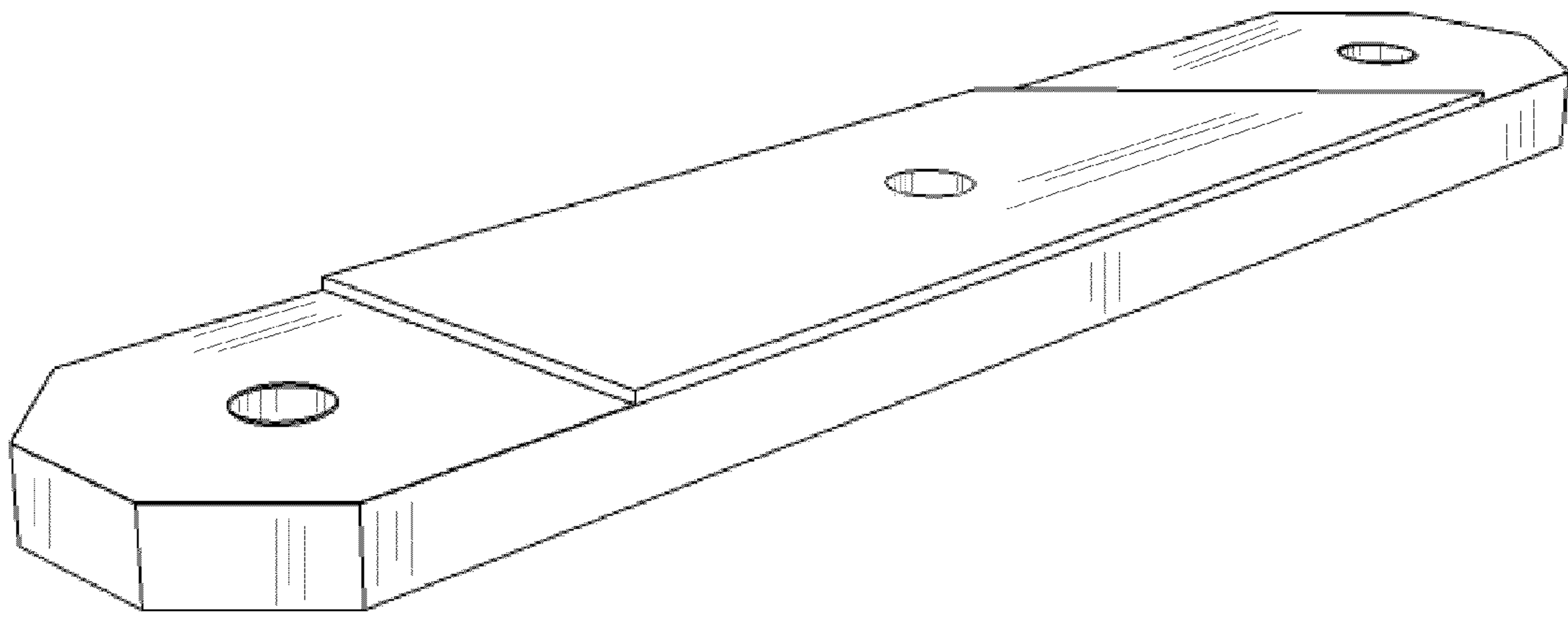


Fig 5

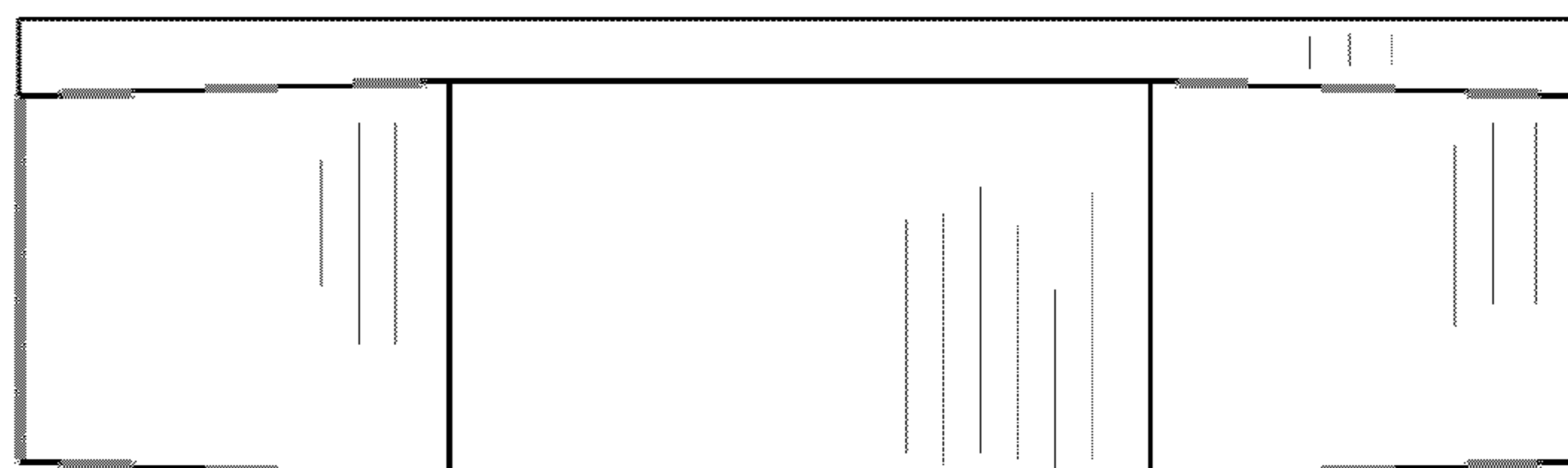


Fig 6

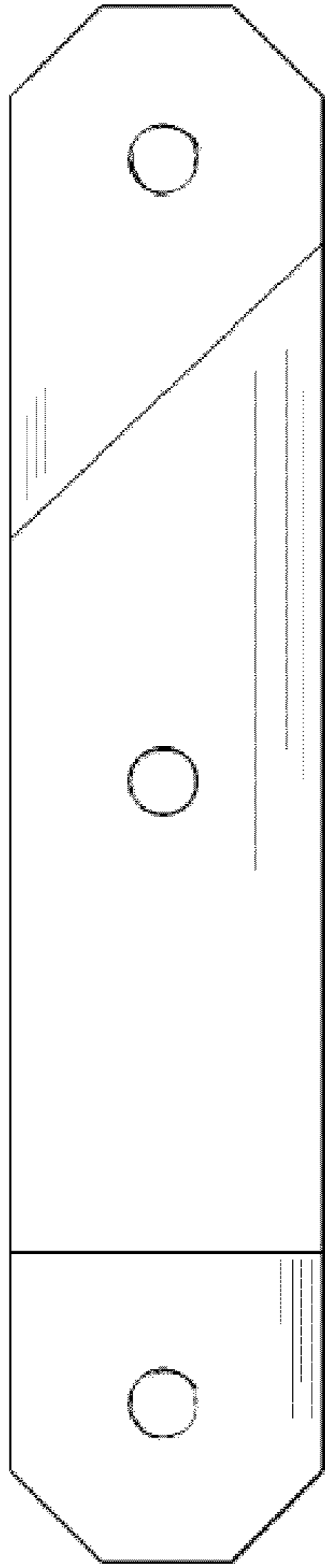


Fig 7

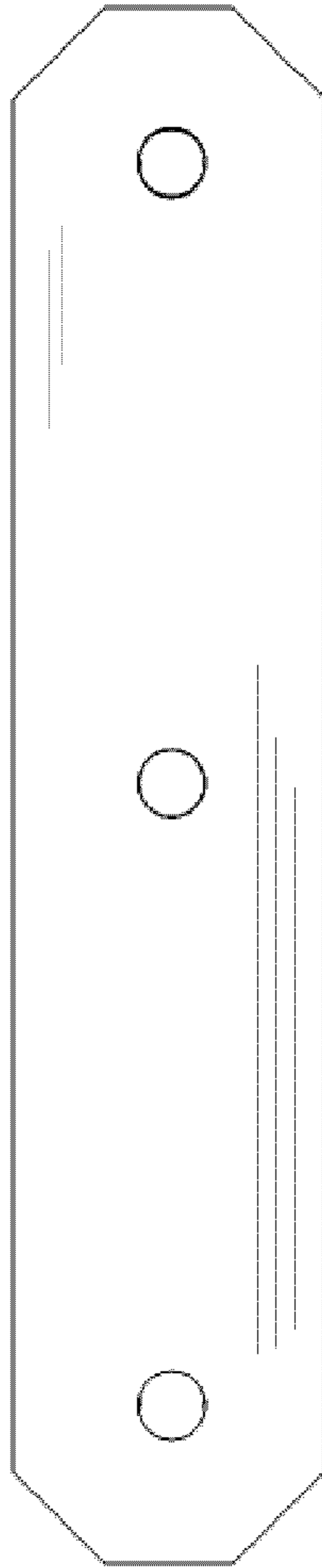


Fig 8

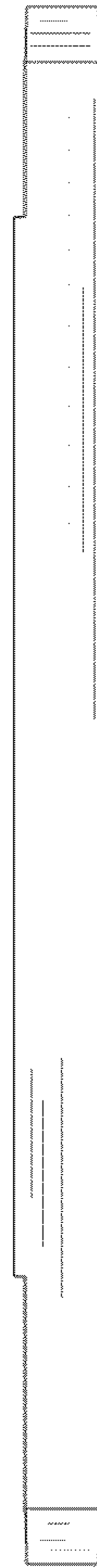


Fig 9

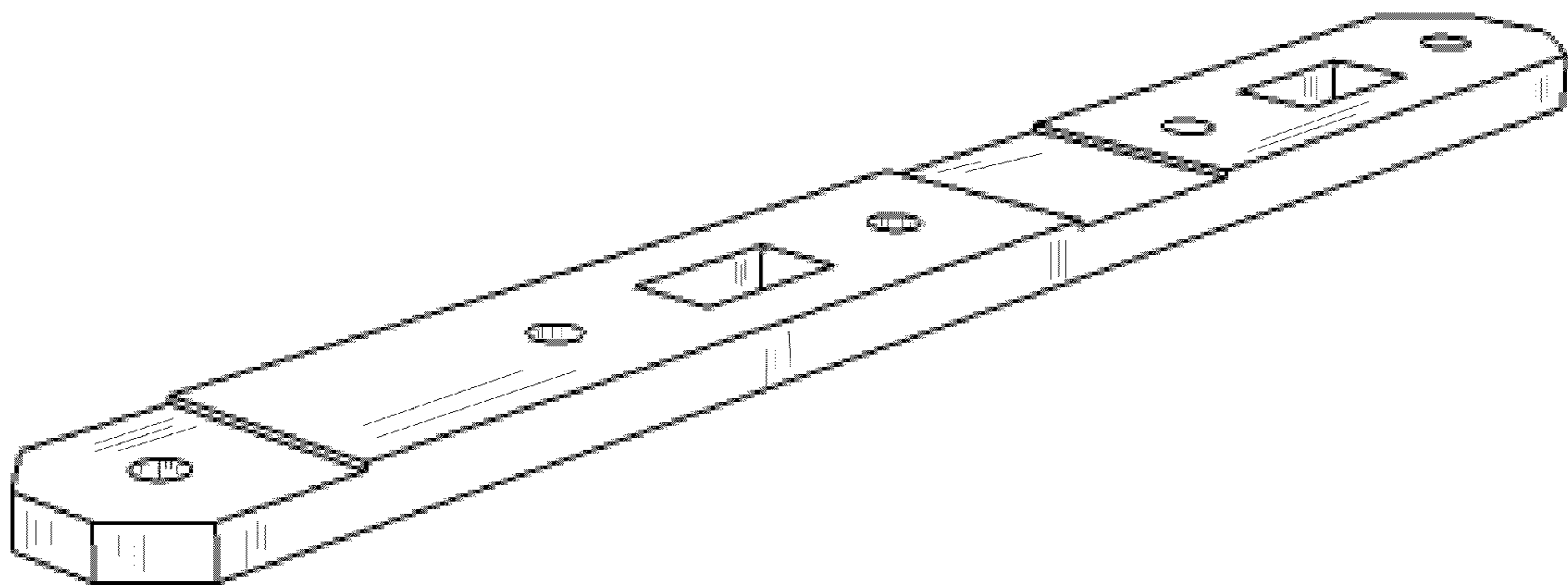


Fig 10

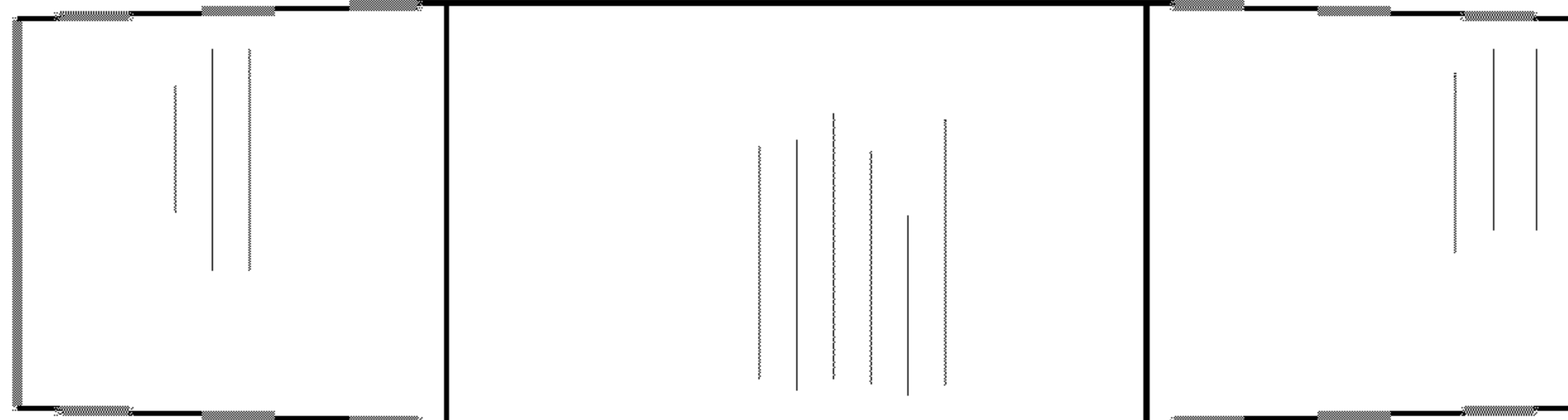


Fig 11

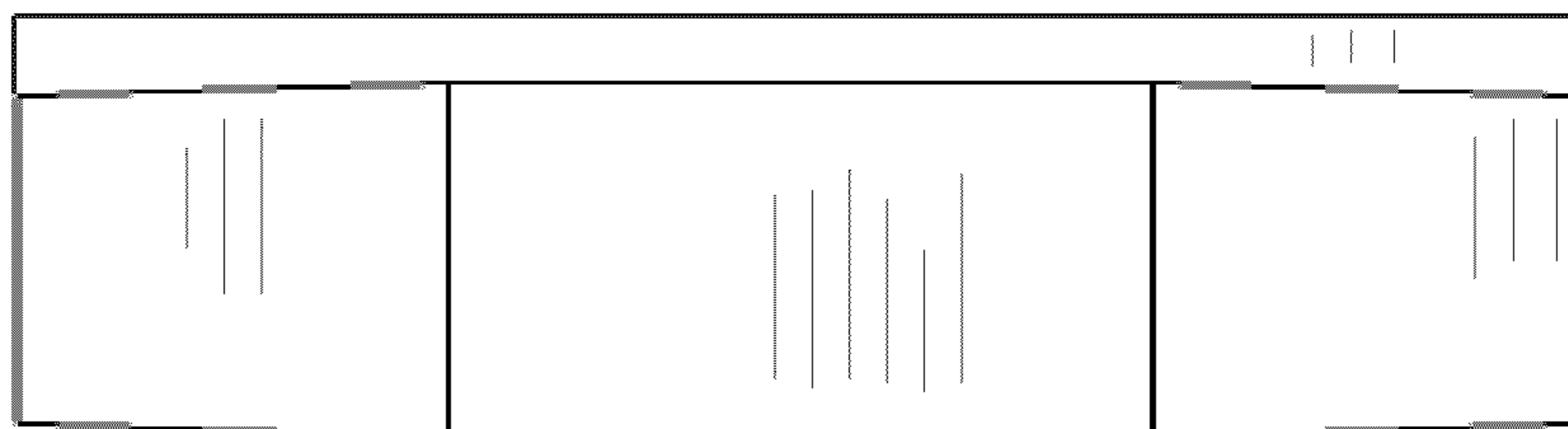


Fig 12

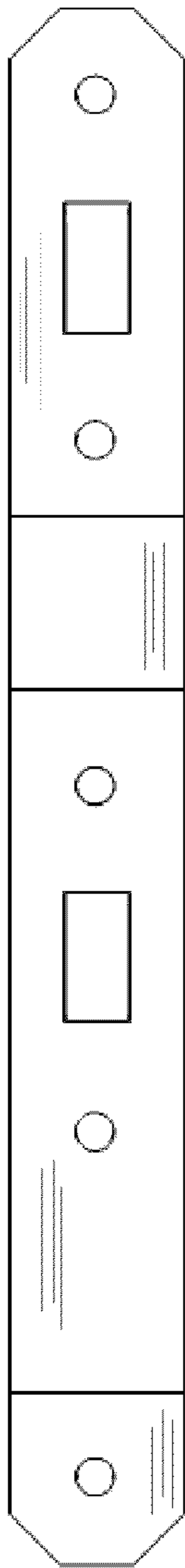


Fig 13

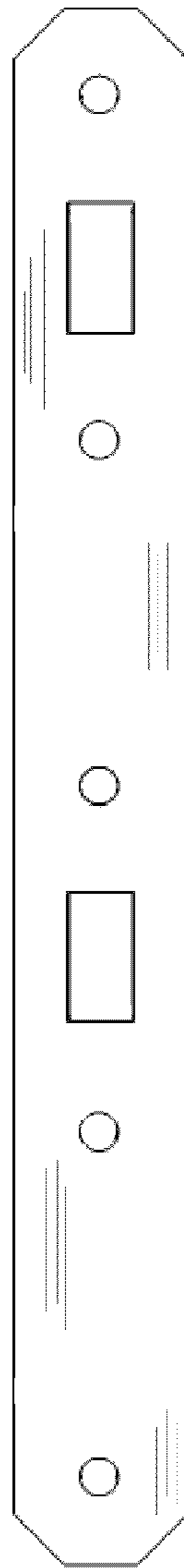


Fig 14

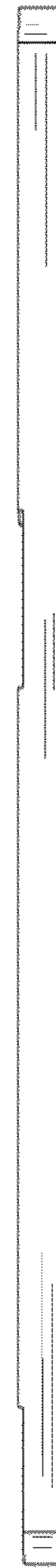


Fig 15

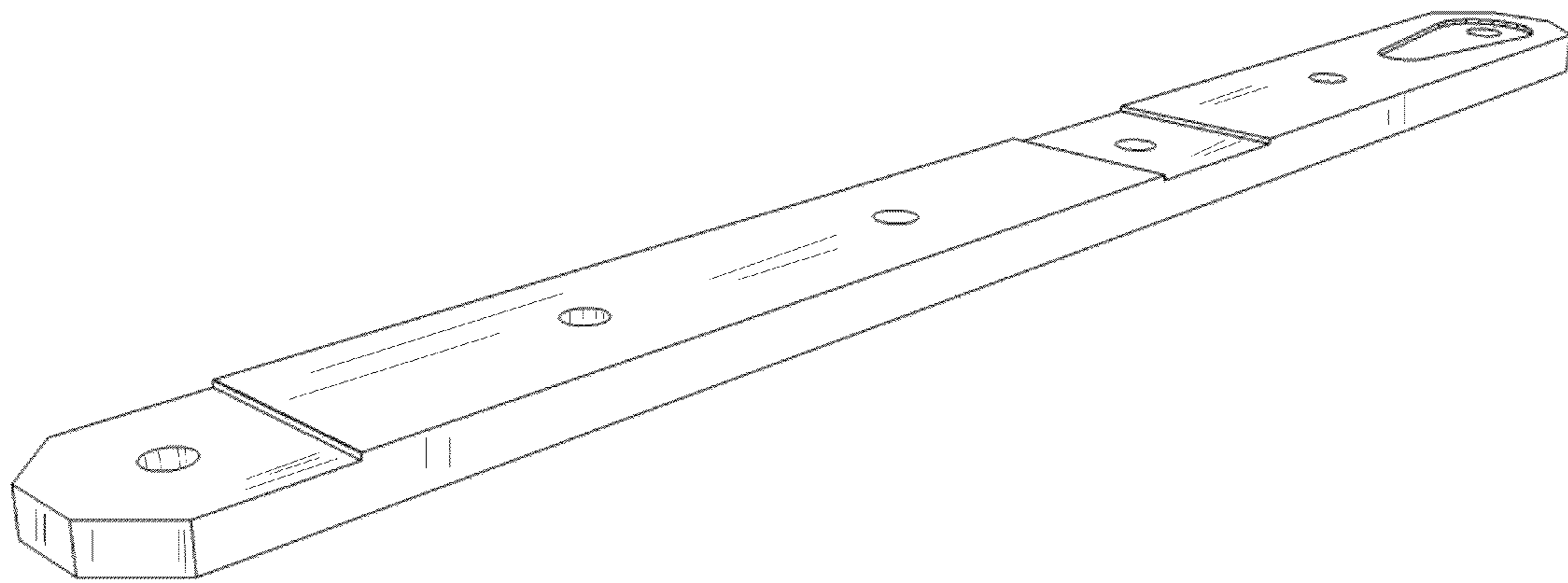


Fig 16

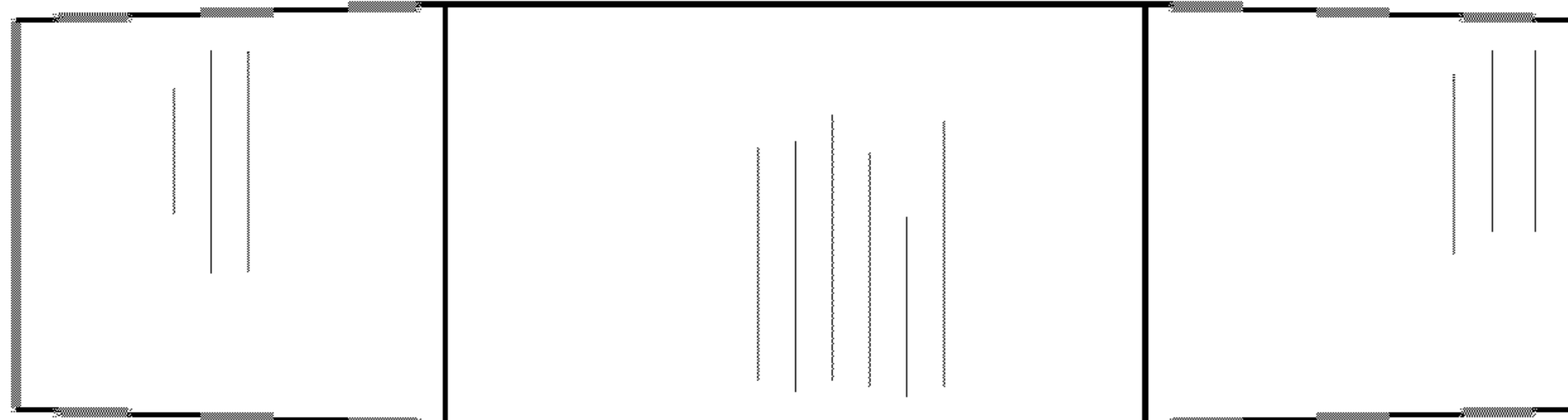


Fig 17

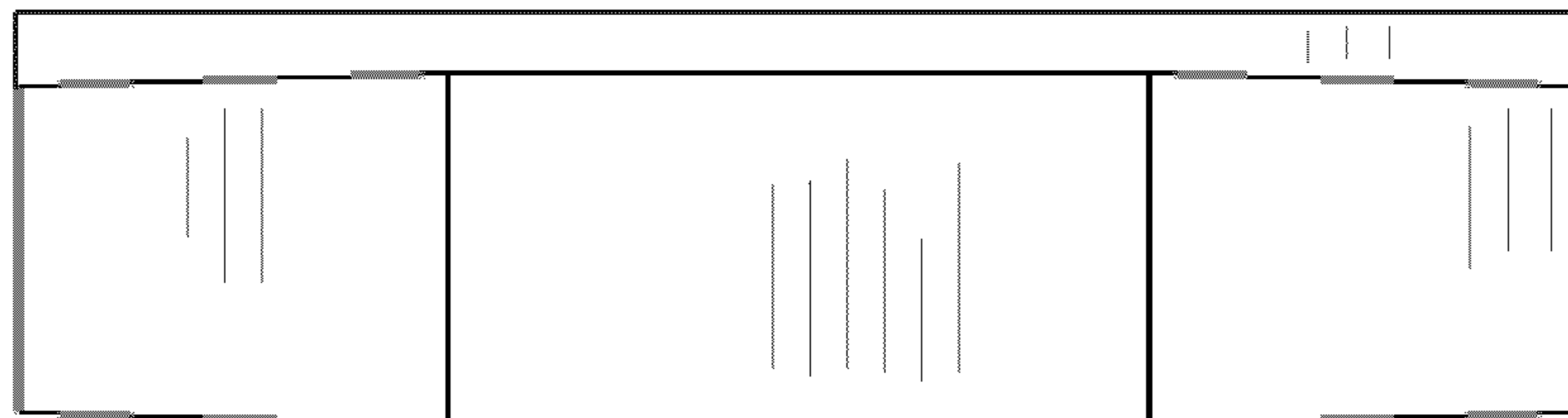


Fig 18

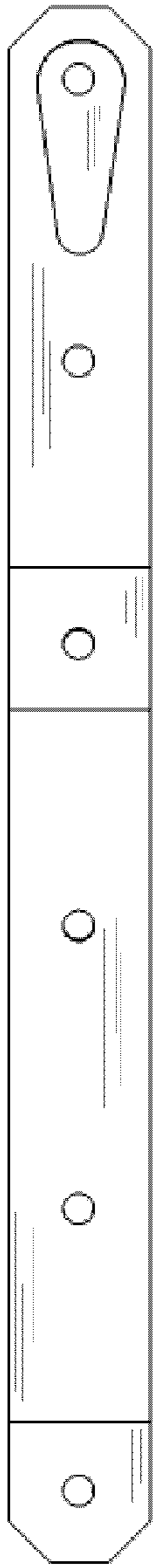


Fig 19

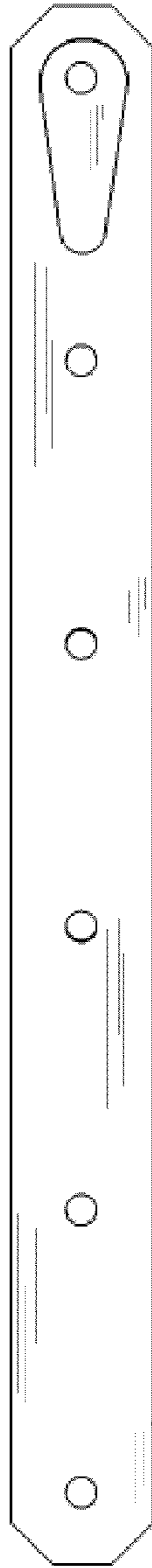


Fig 20

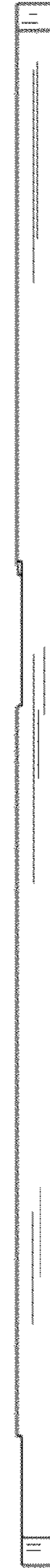


Fig 21

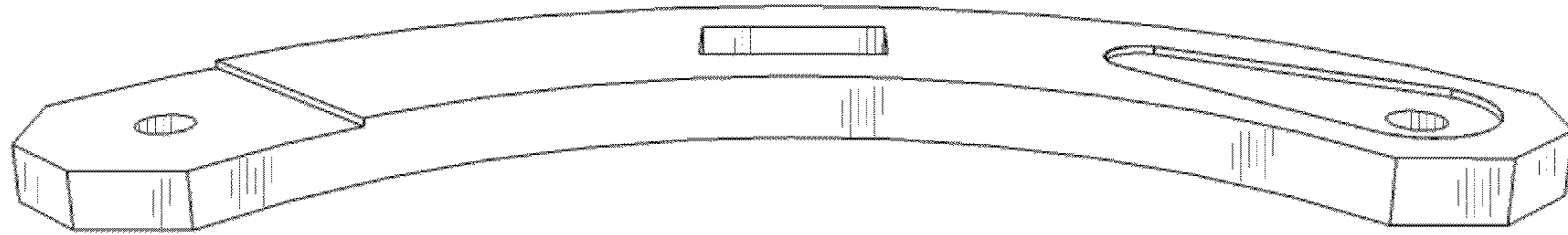


Fig 22

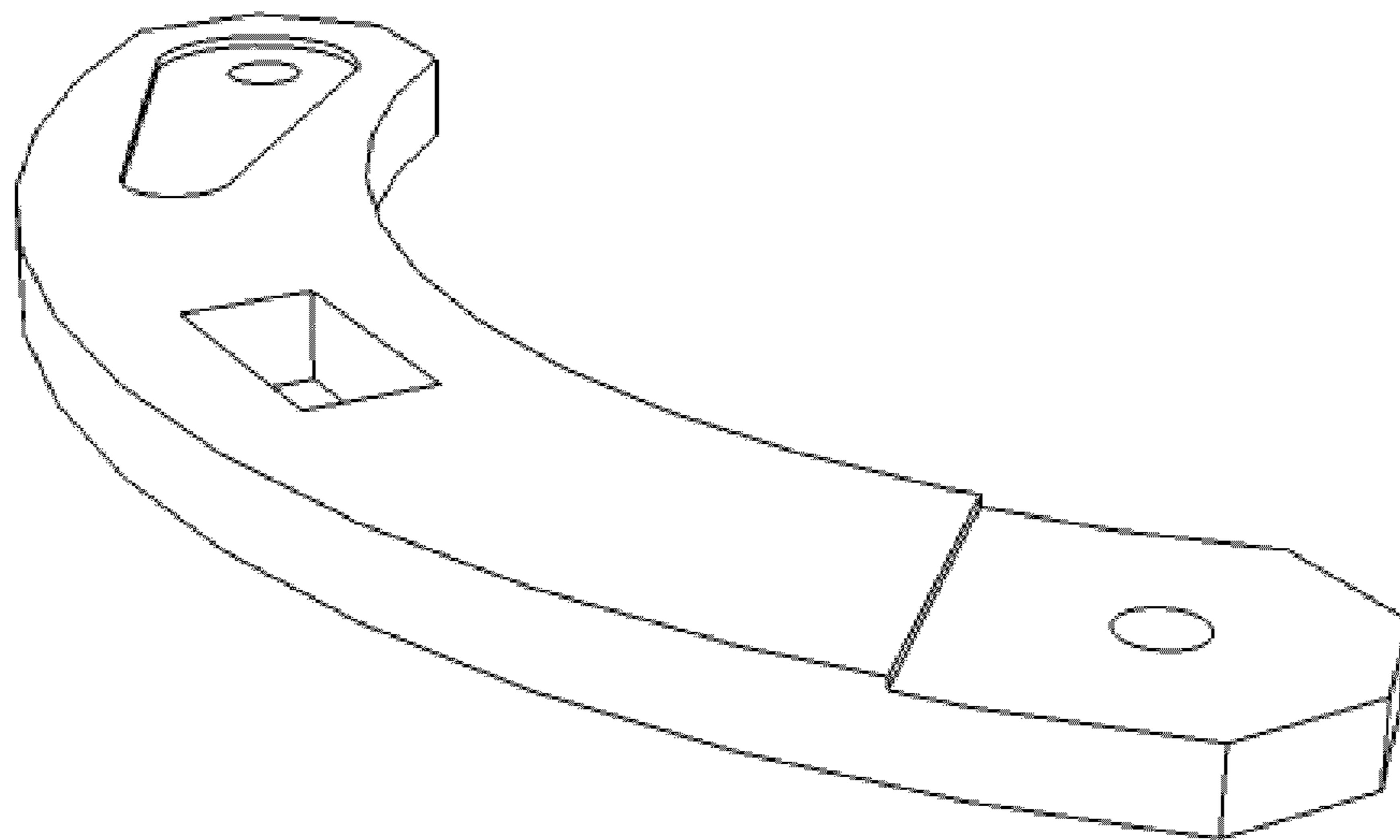


Fig 23

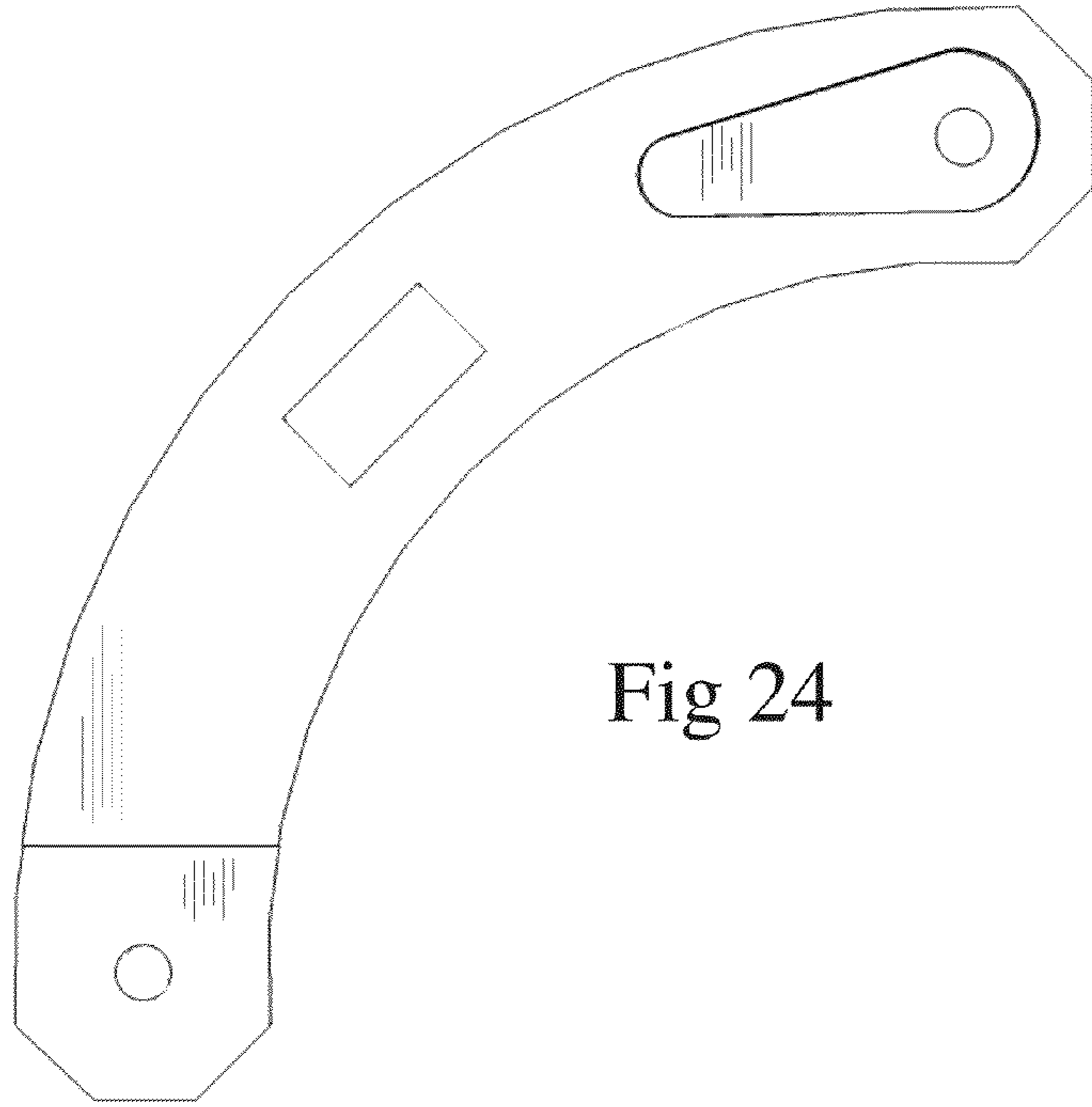


Fig 24

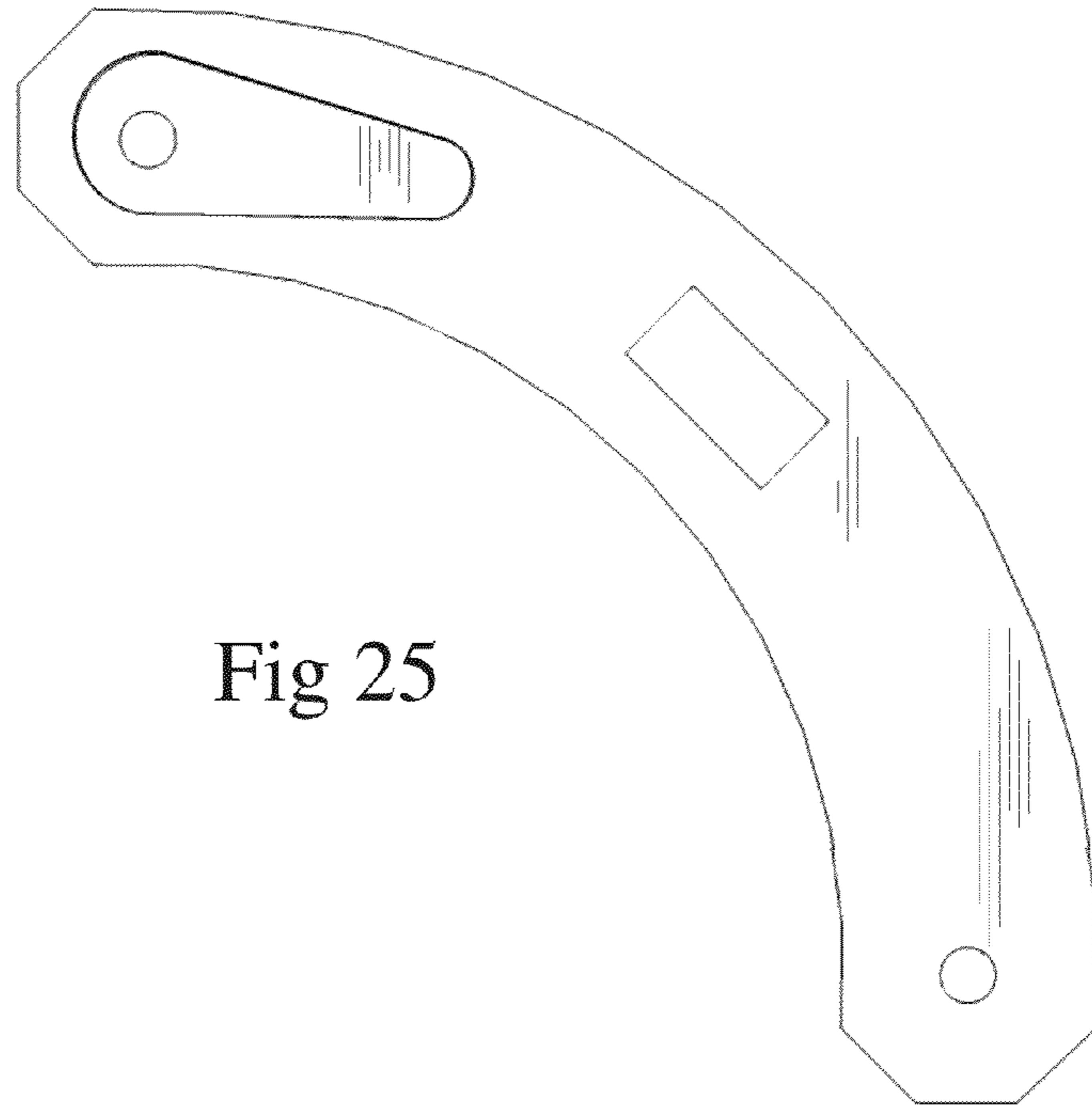


Fig 25



Fig 26

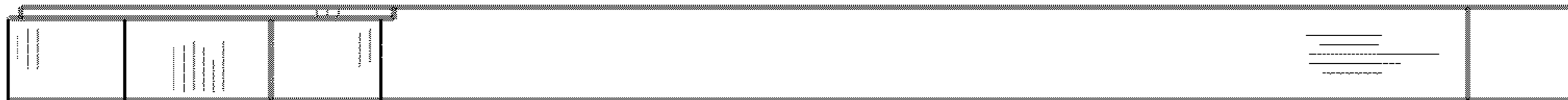


Fig 27

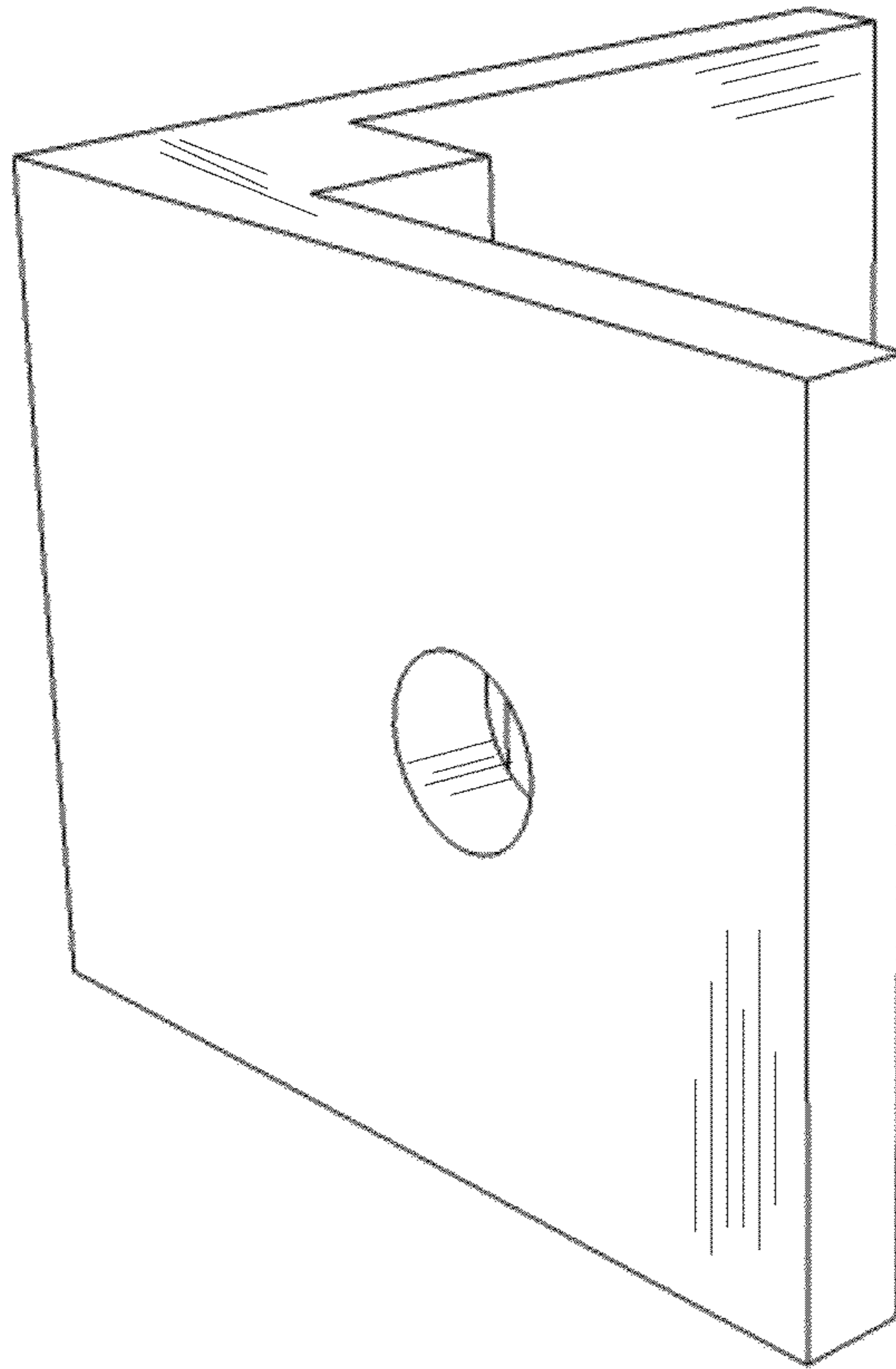


Fig 28

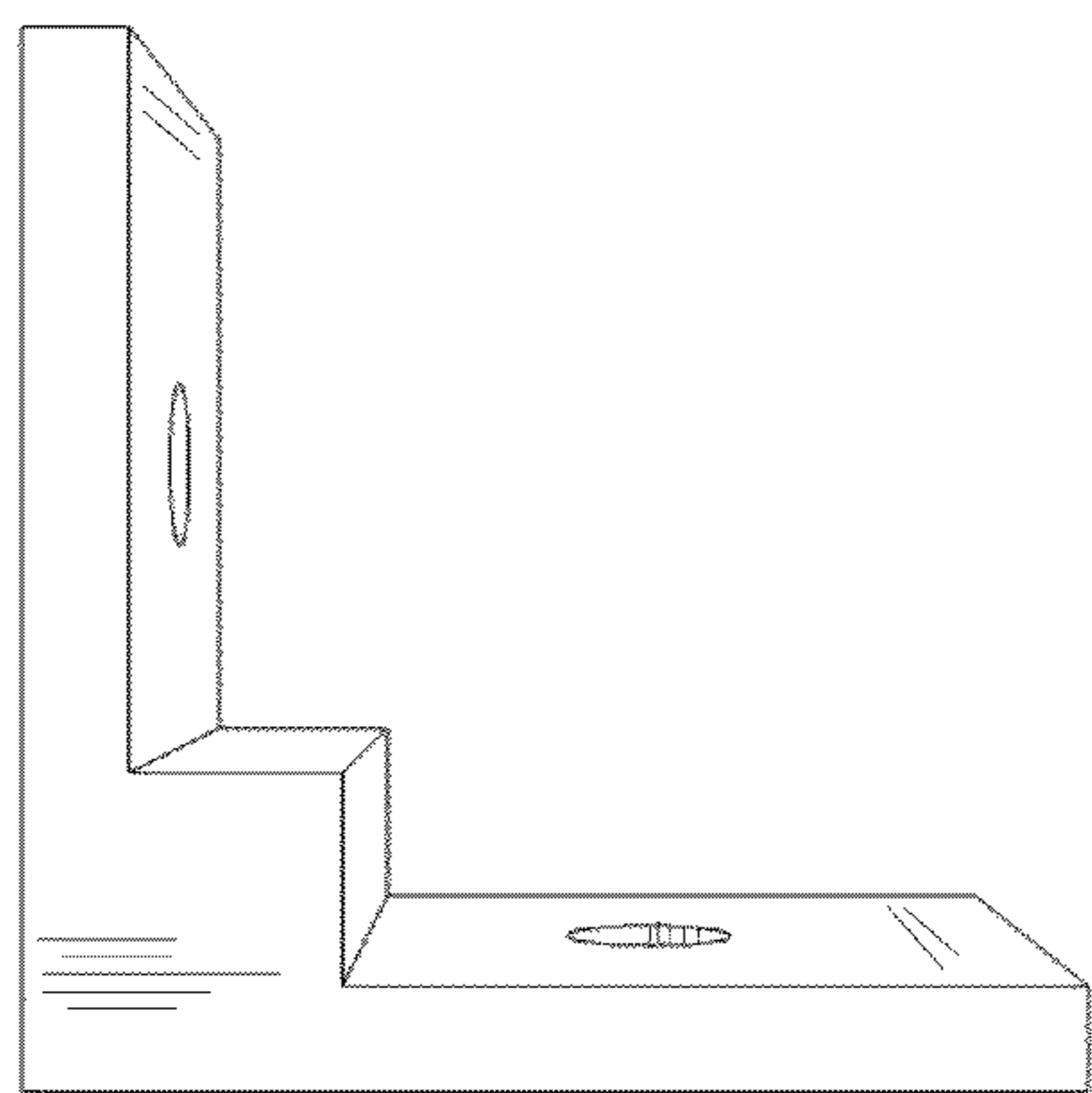


Fig 29

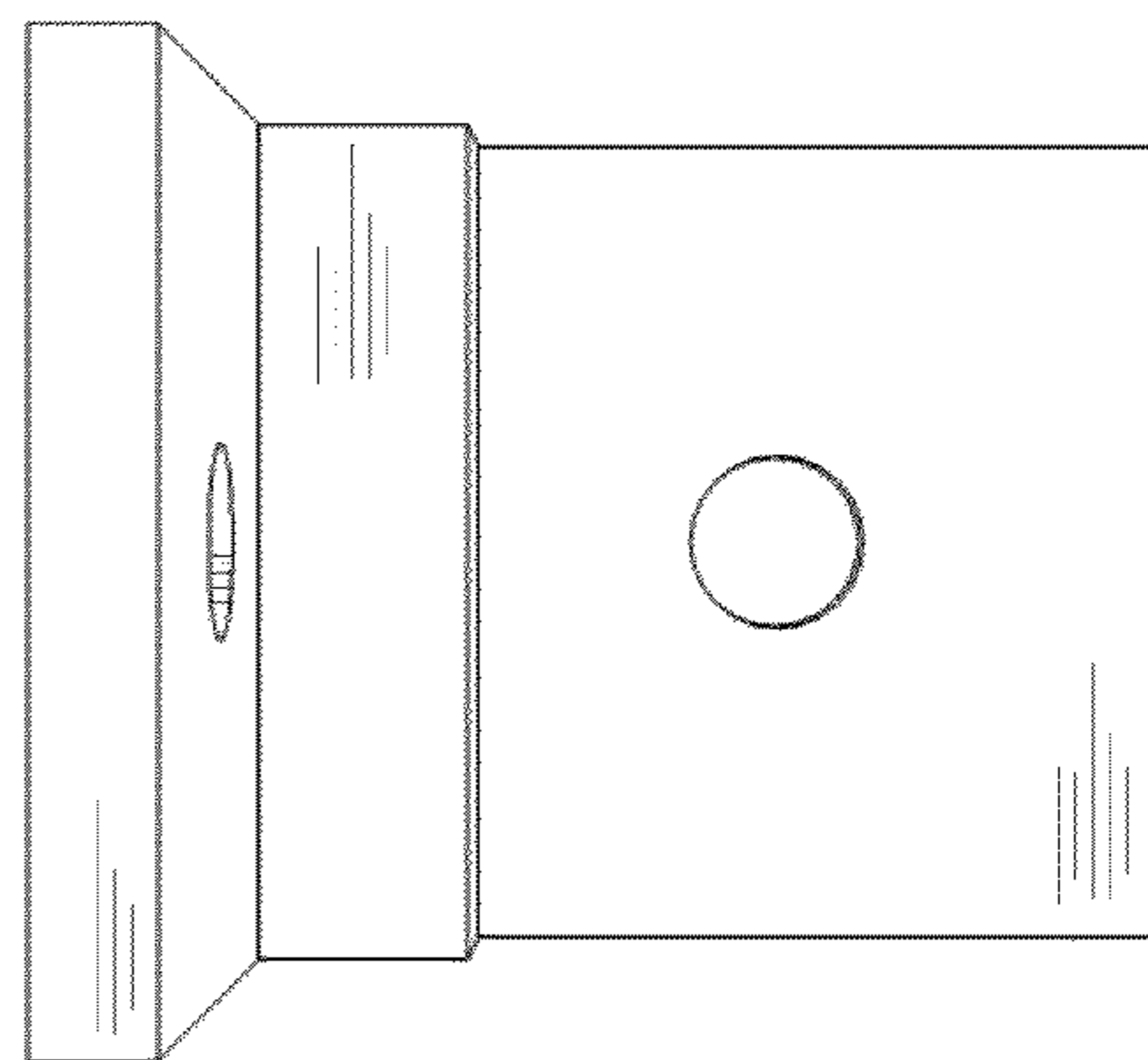


Fig 30

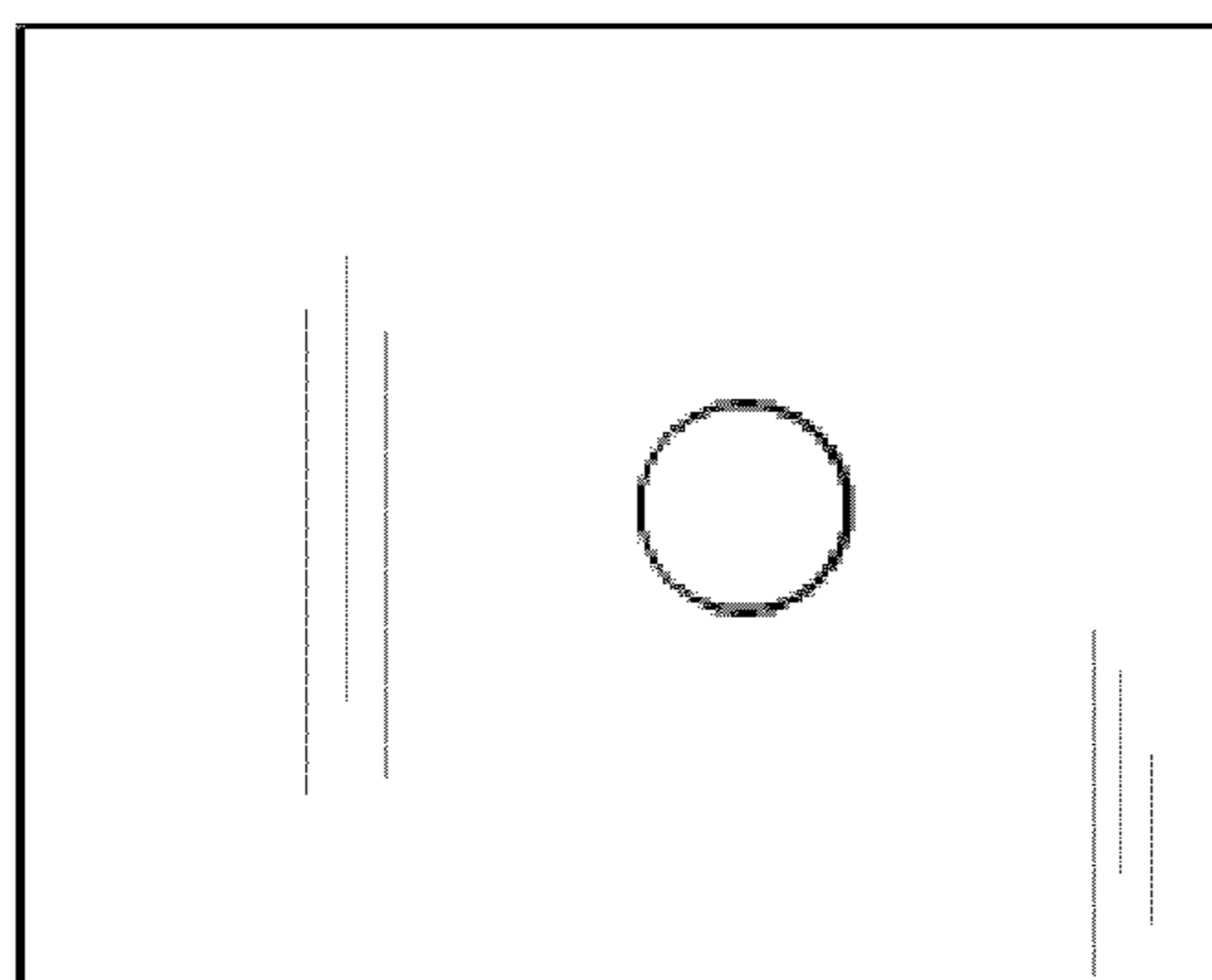


Fig 31

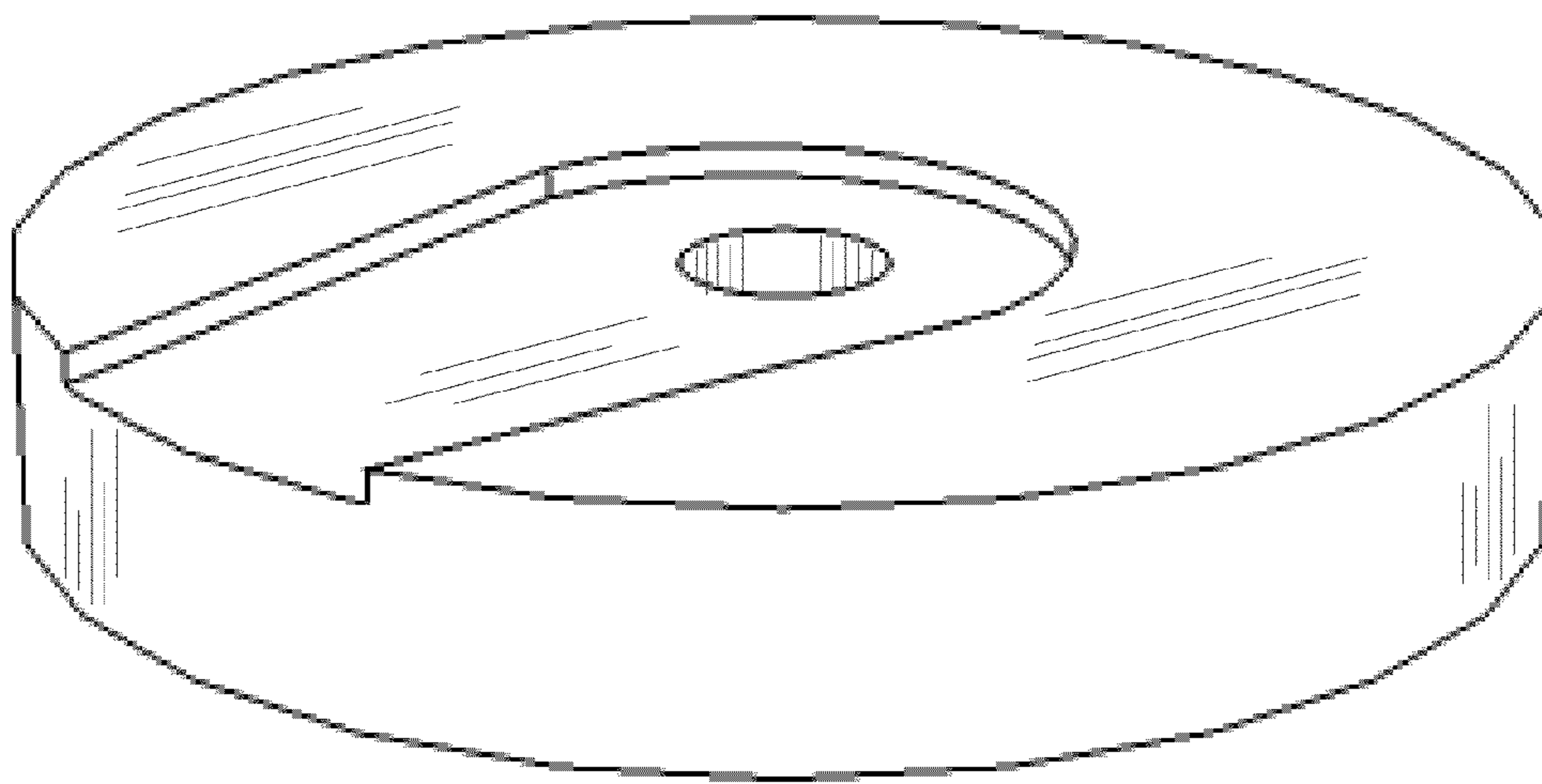


Fig 32

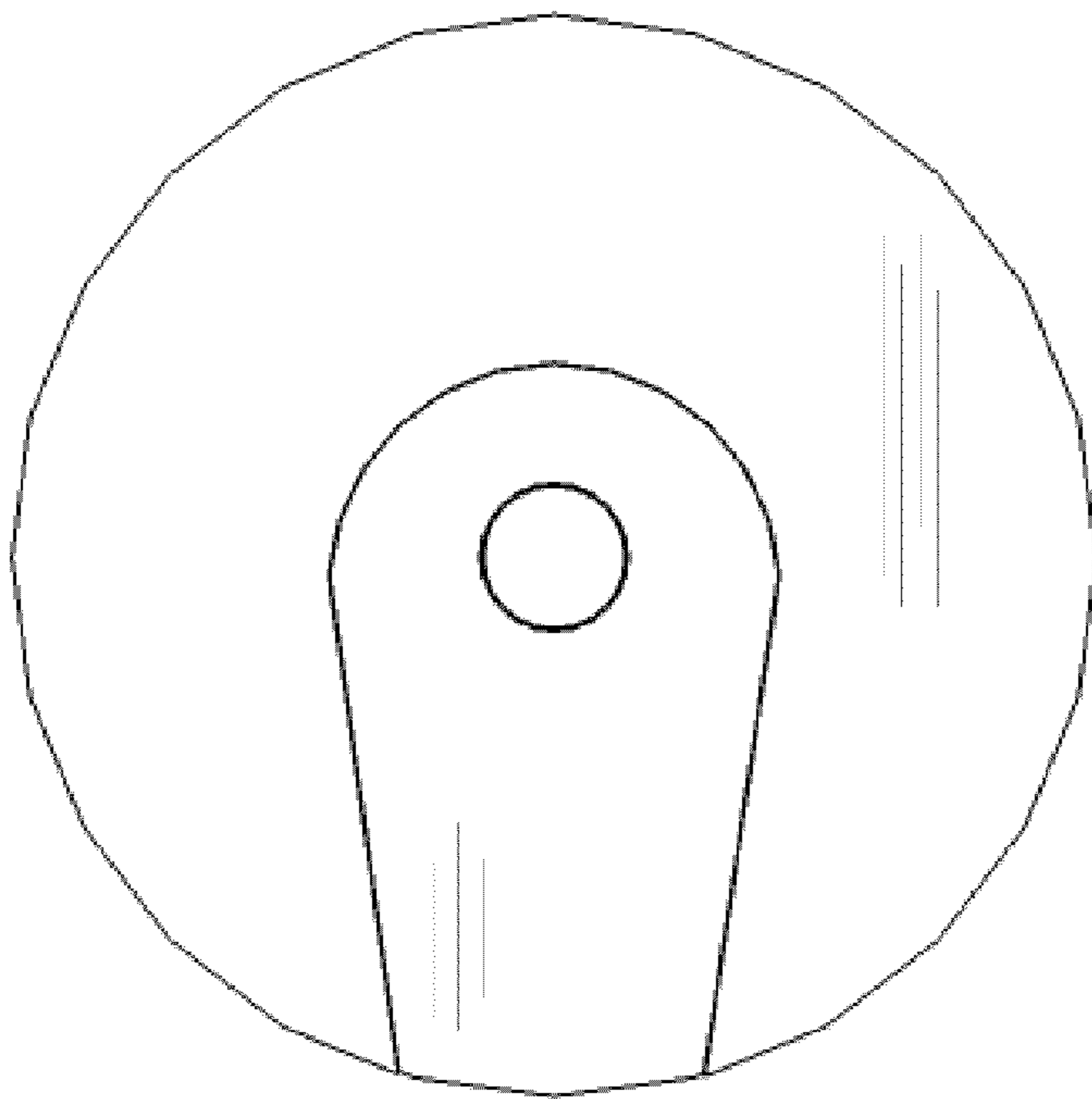


Fig 33

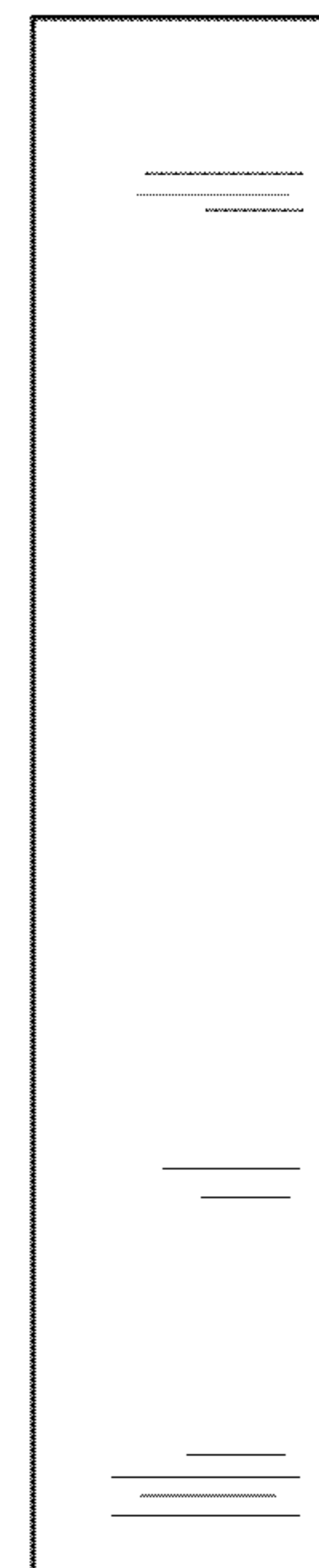


Fig 34

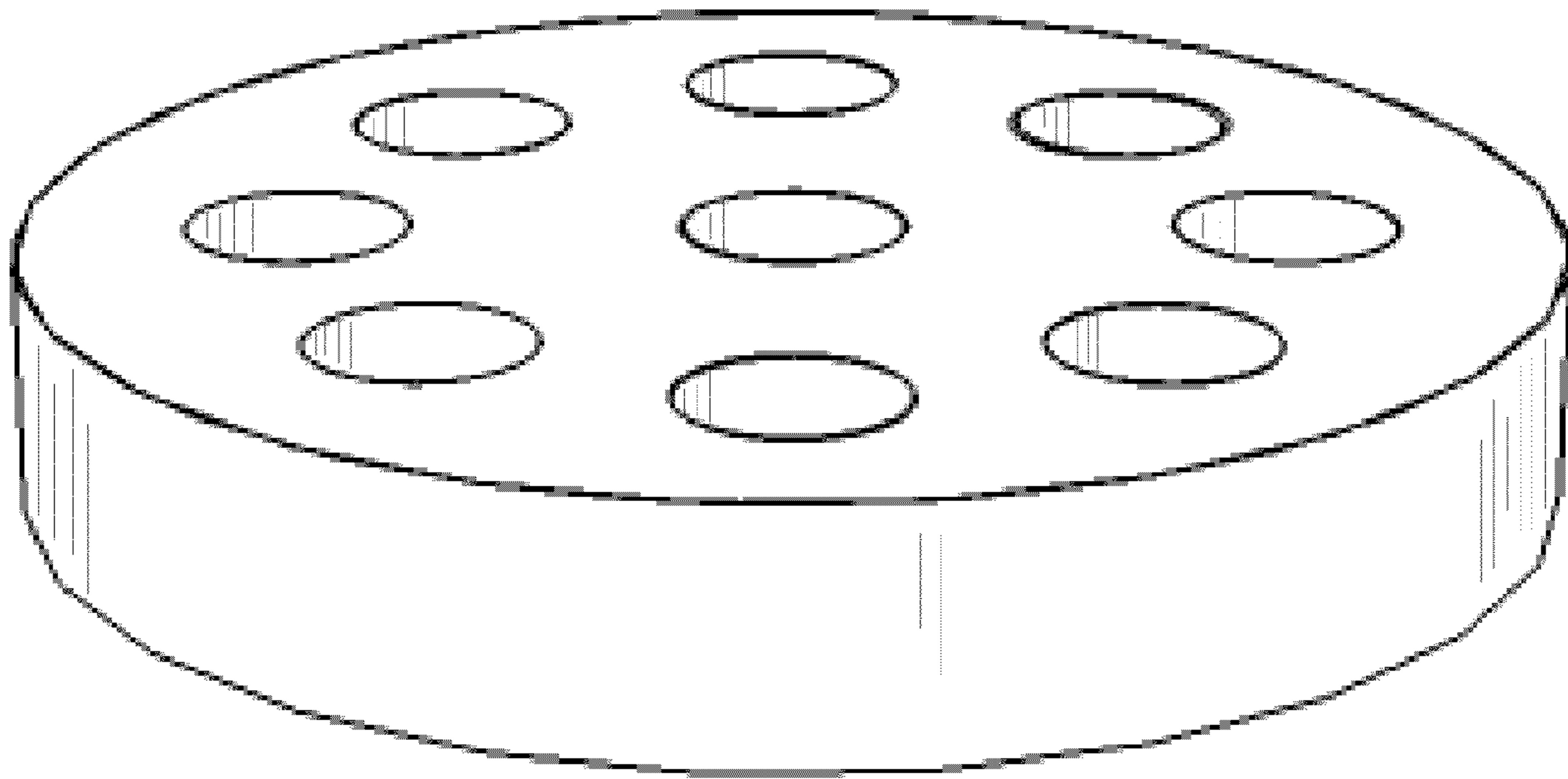


Fig 35

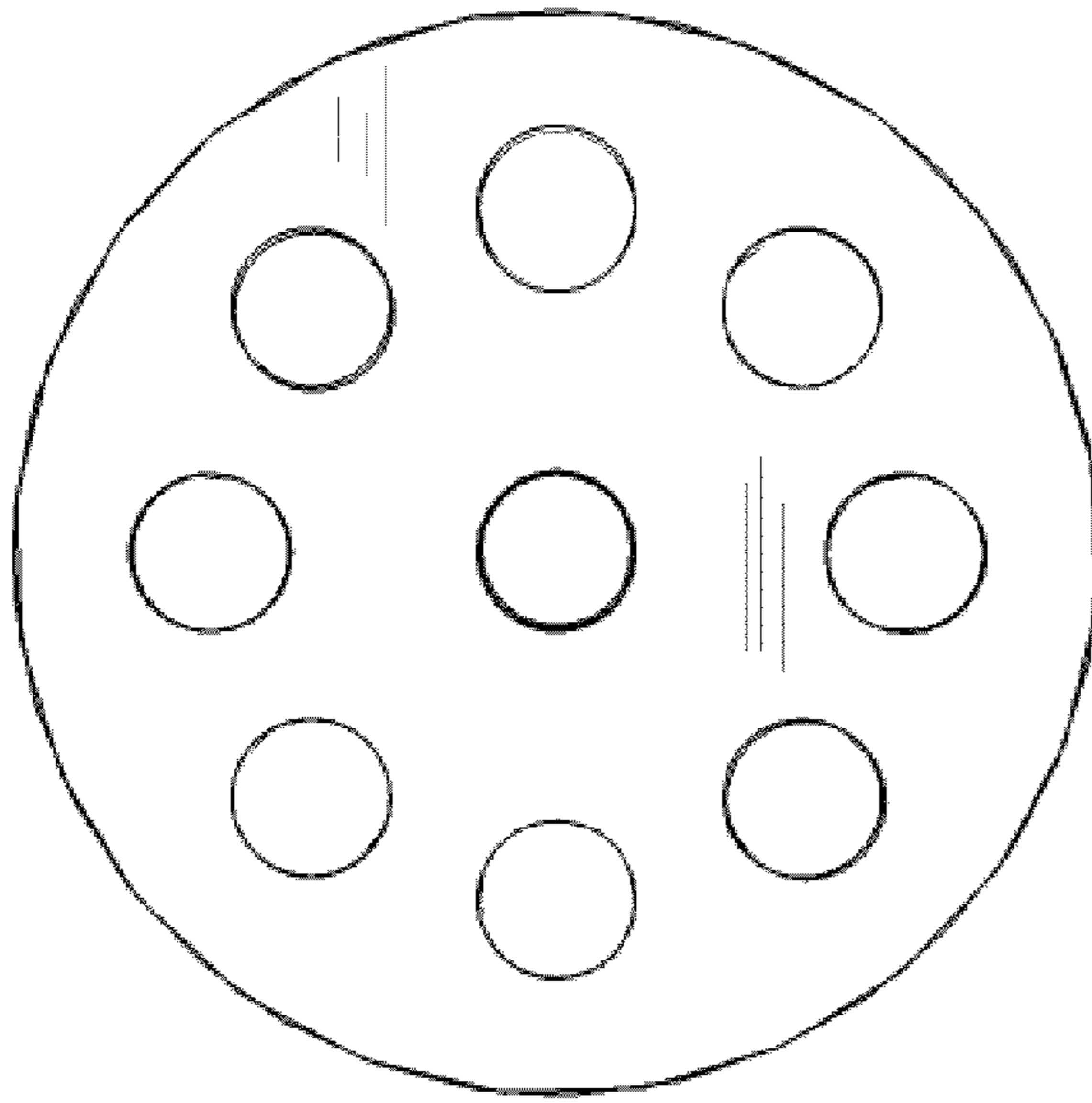


Fig 36

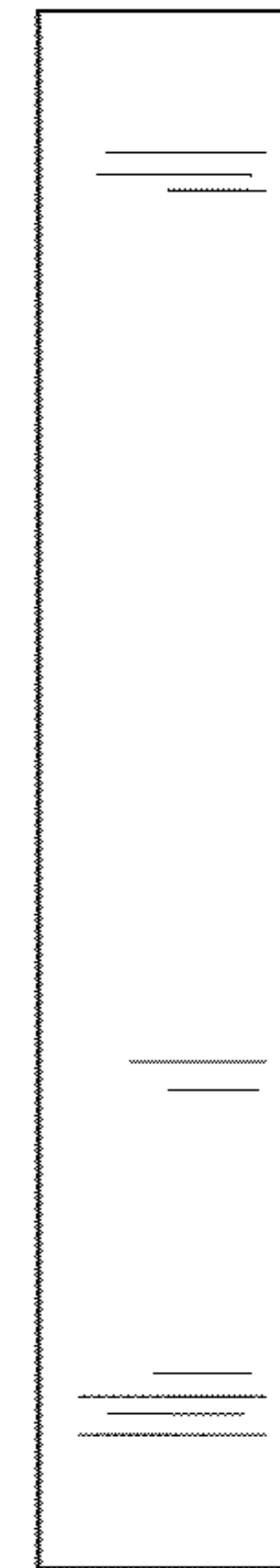


Fig 37

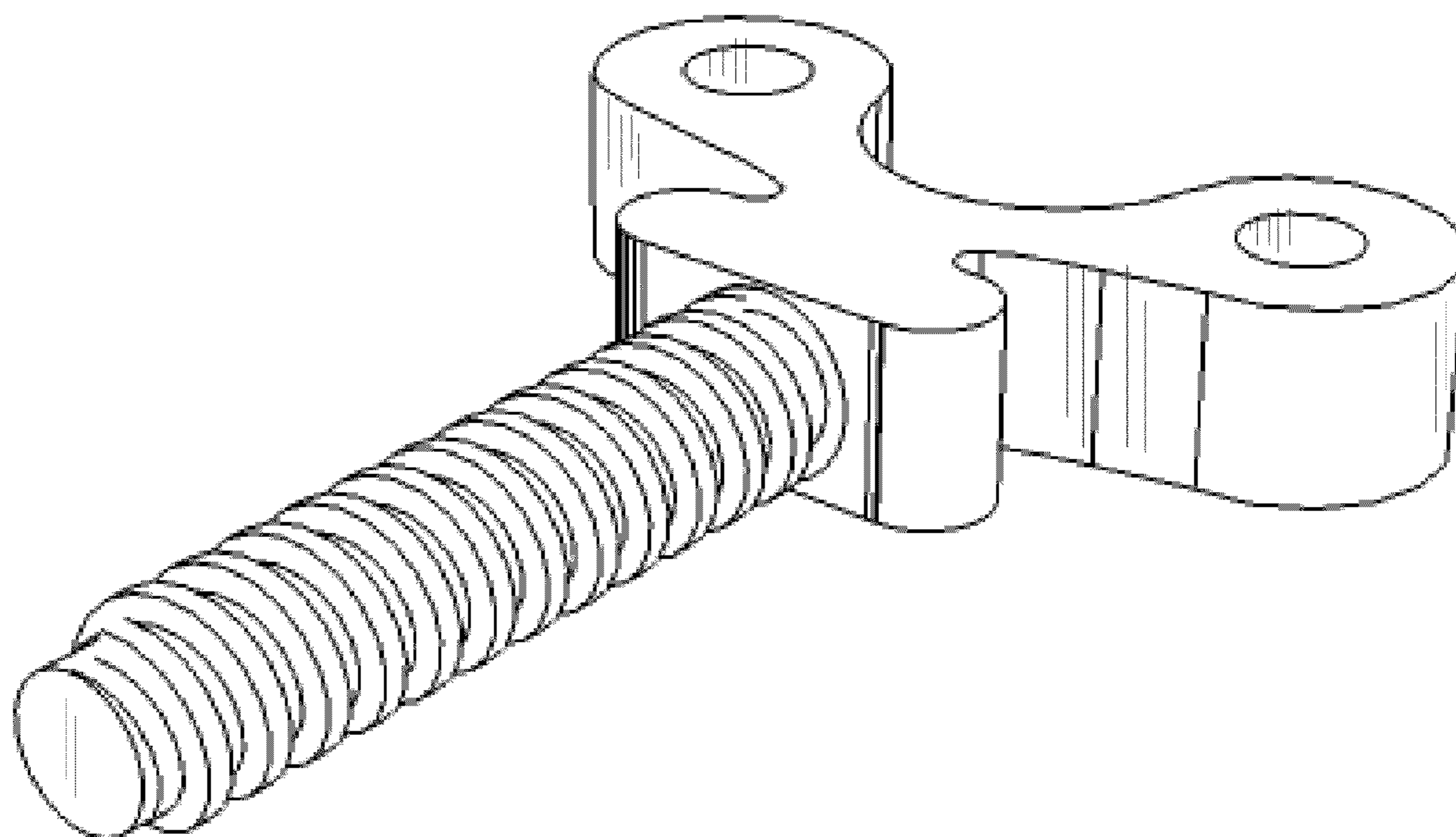


Fig 38

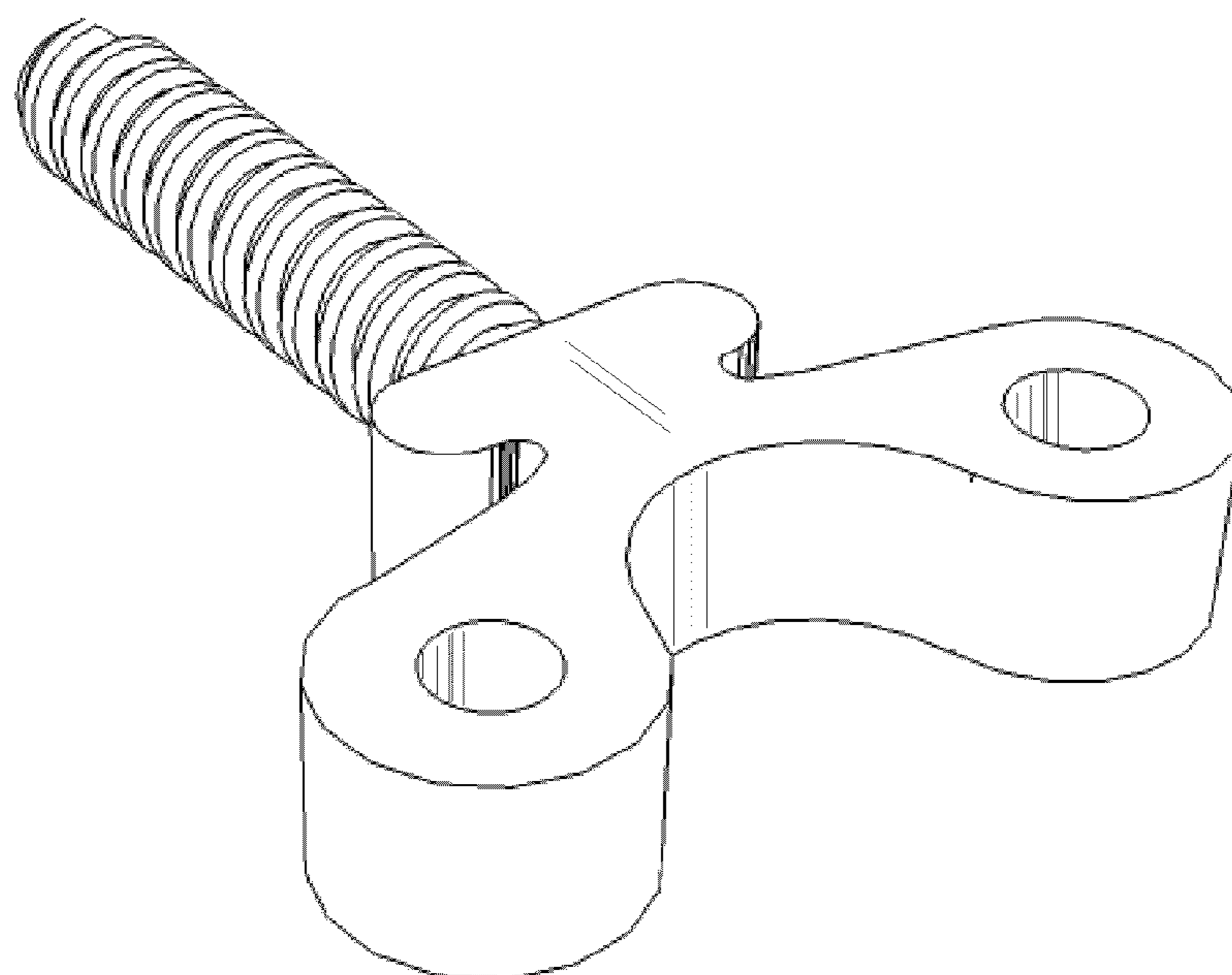


Fig 39

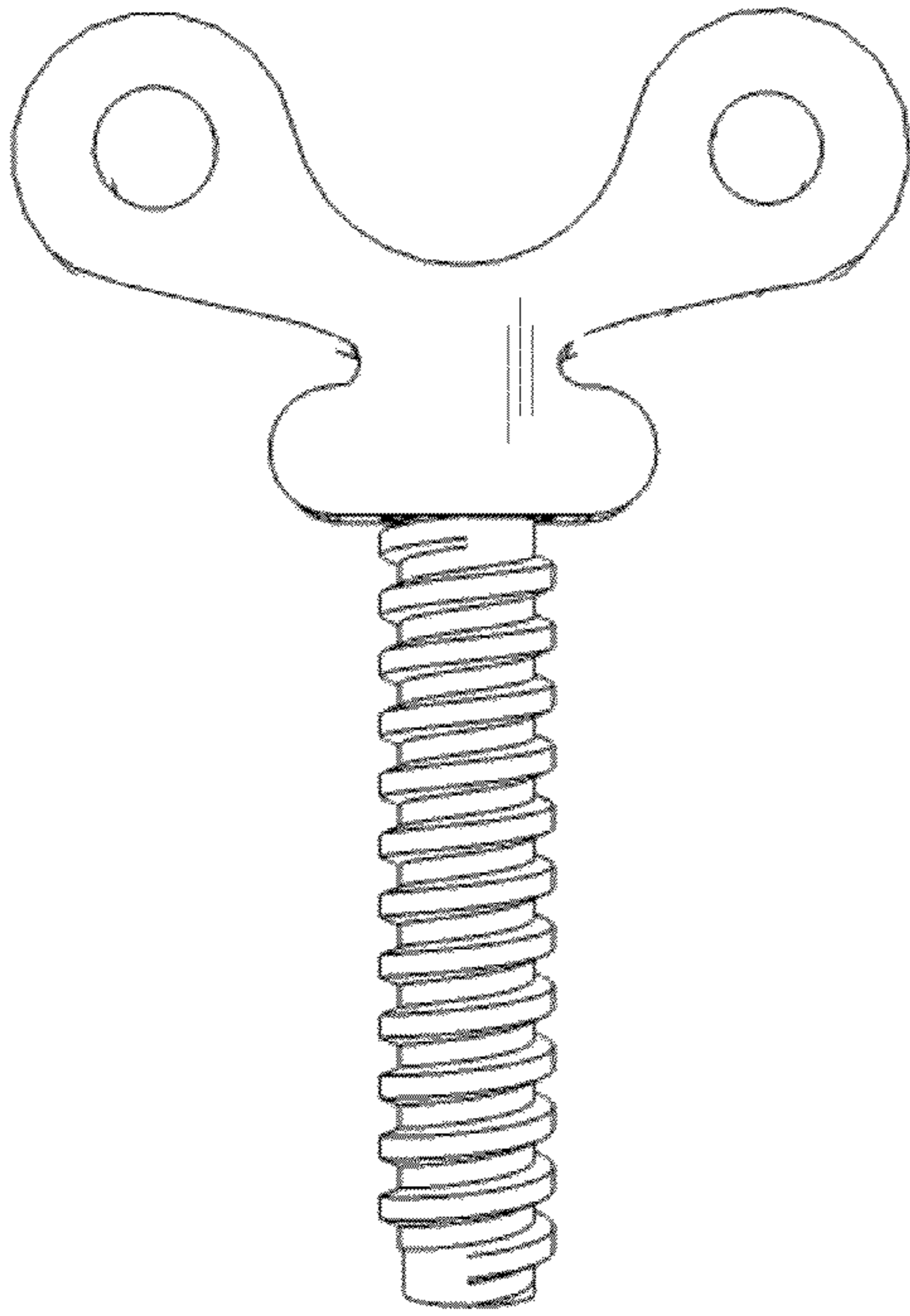


Fig 40



Fig 41

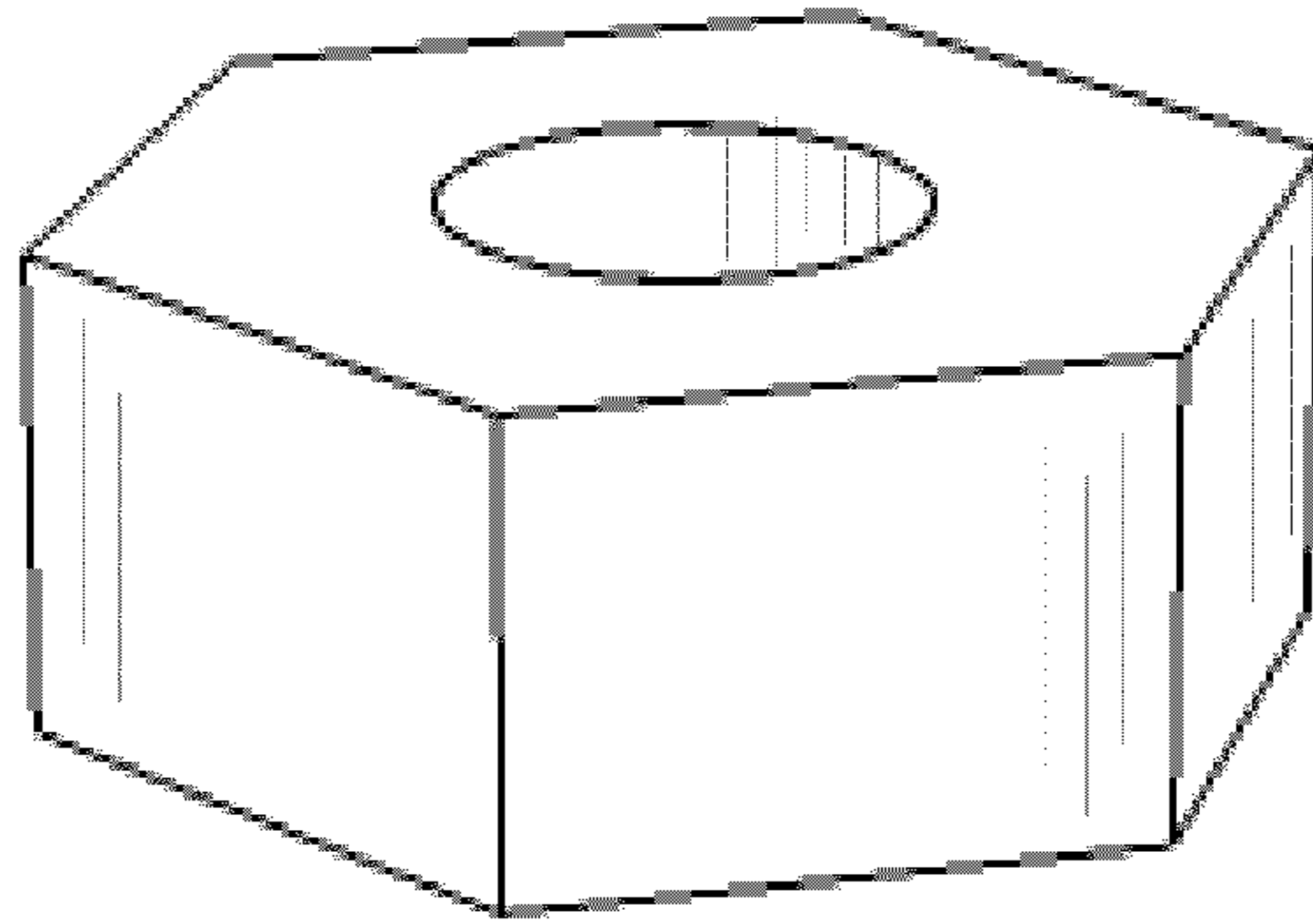


Fig 42

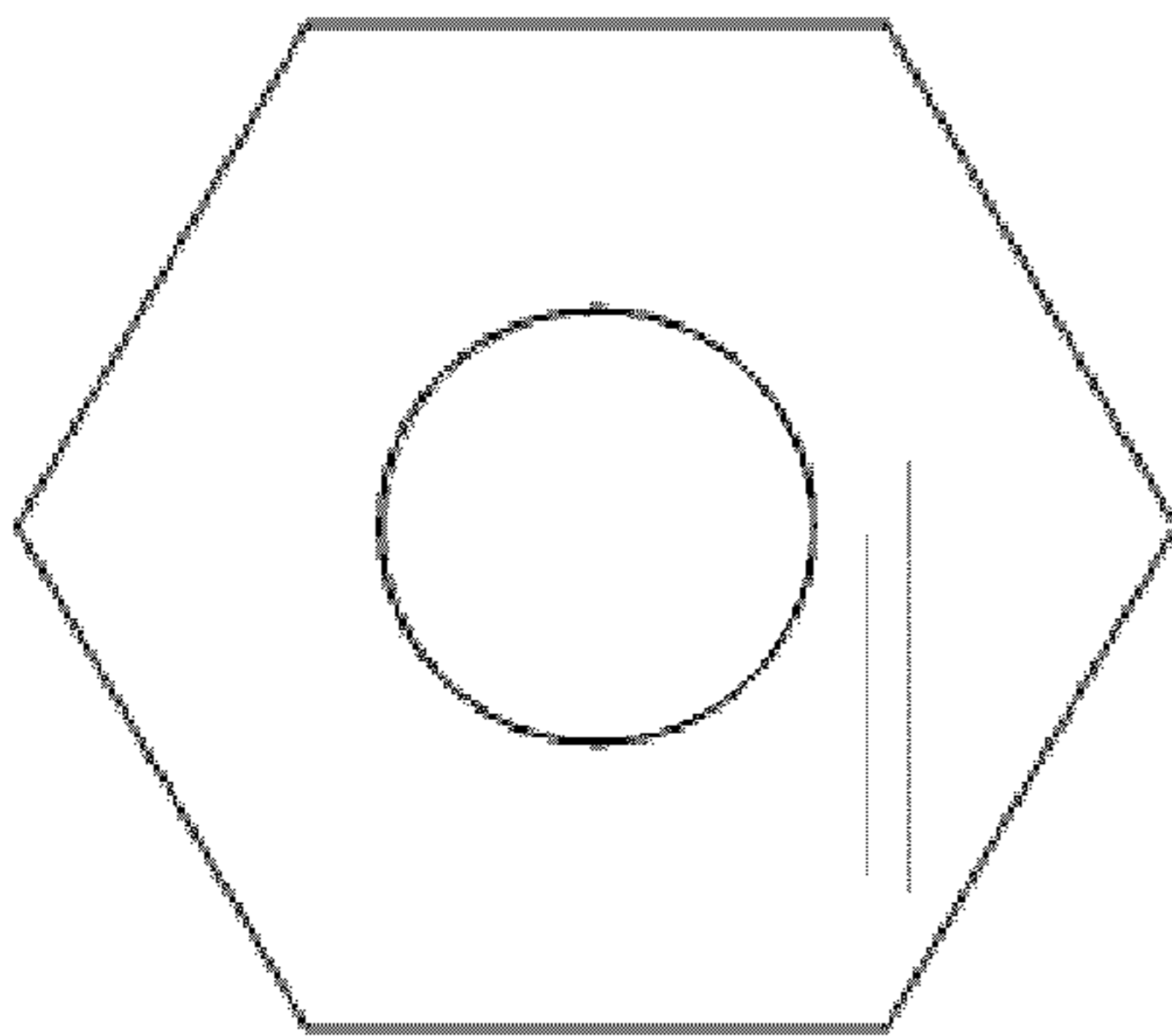


Fig 43

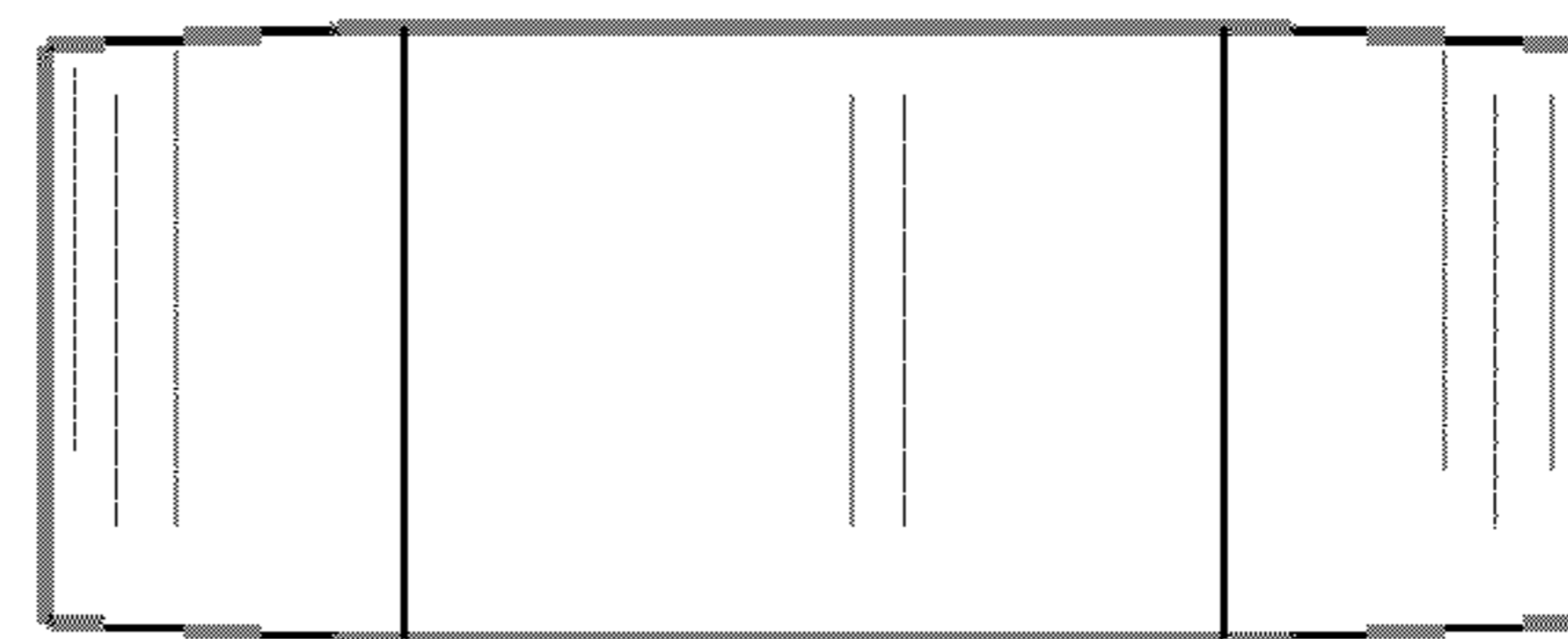


Fig 44

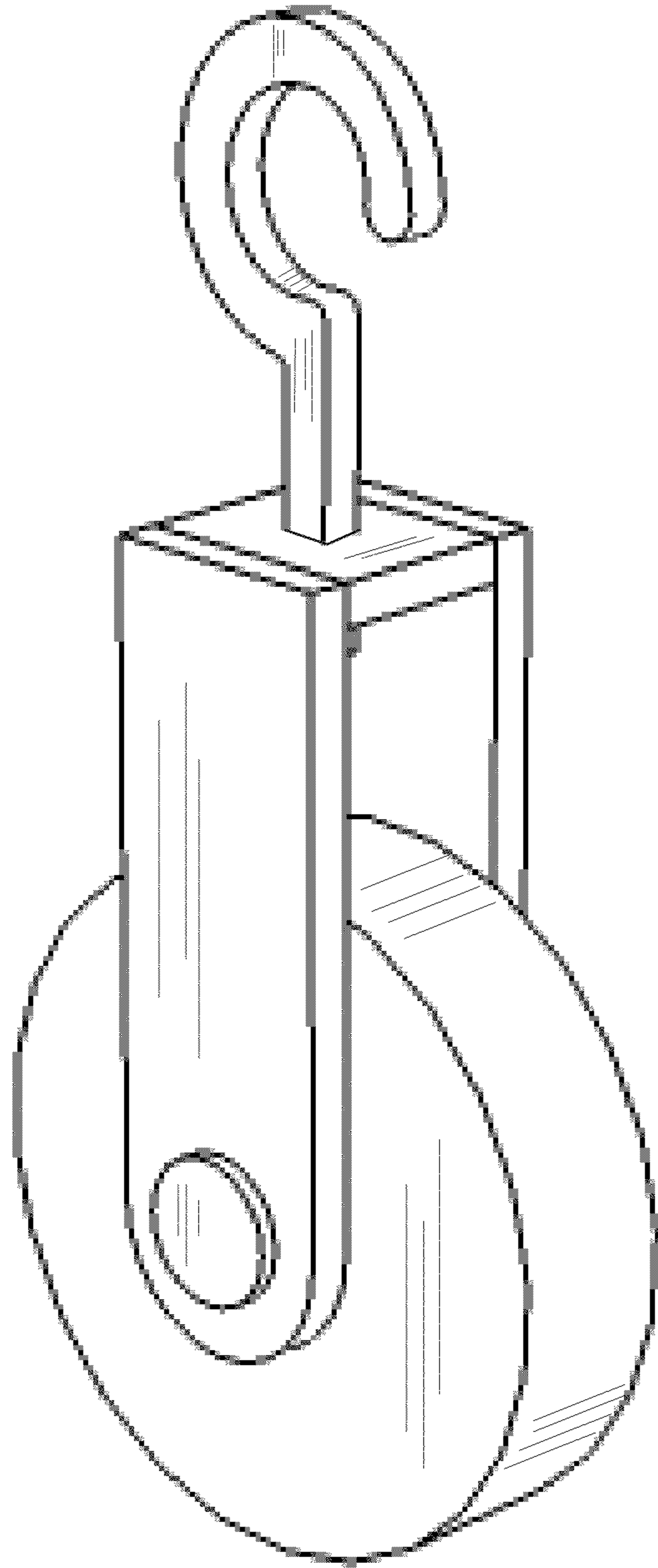


Fig 45

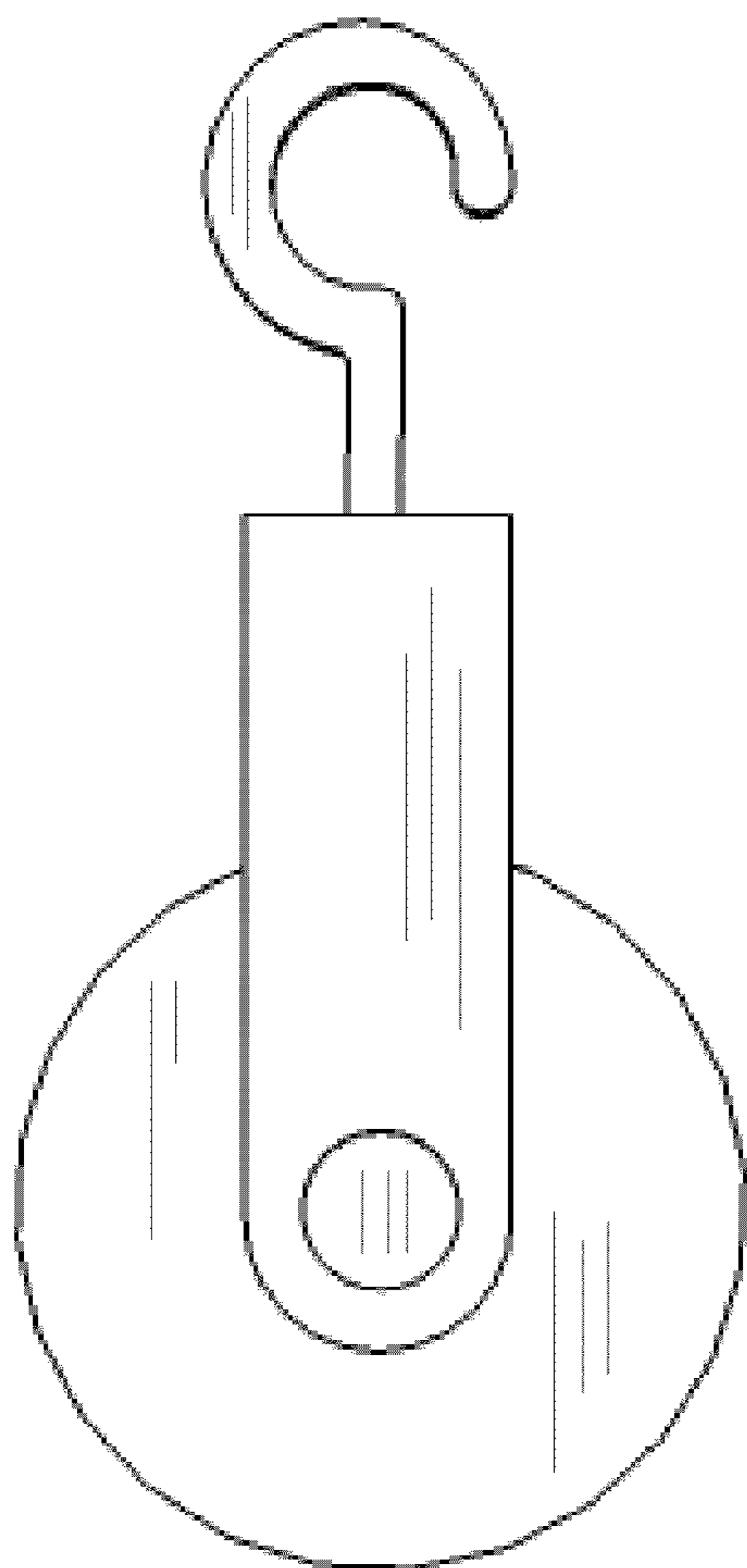


Fig 46

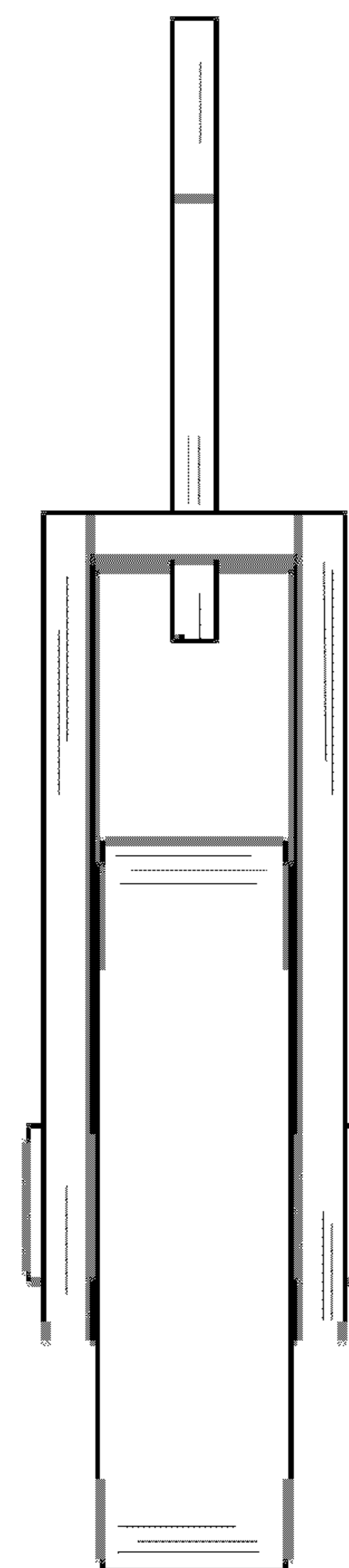


Fig 47

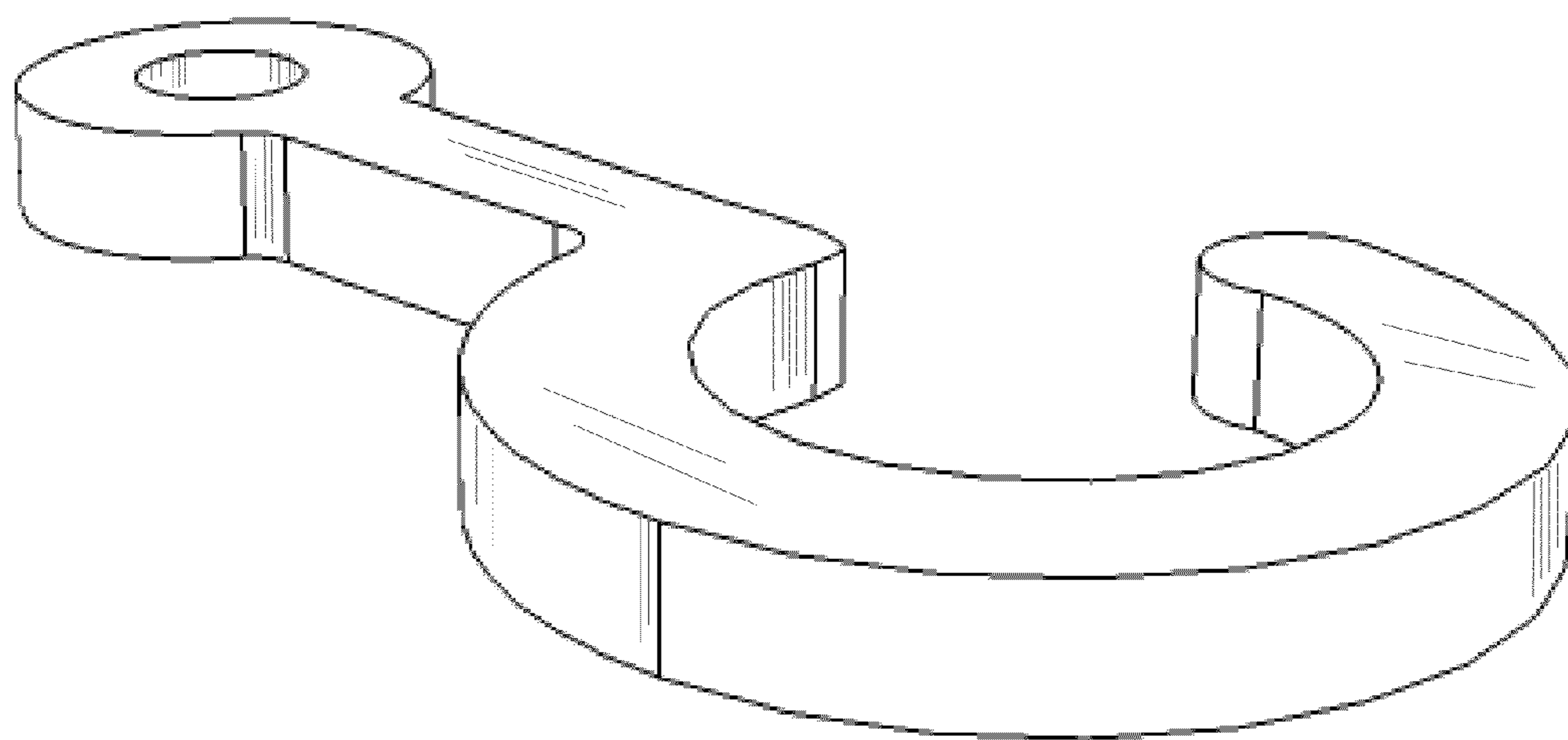


Fig 48



Fig 49



Fig 50

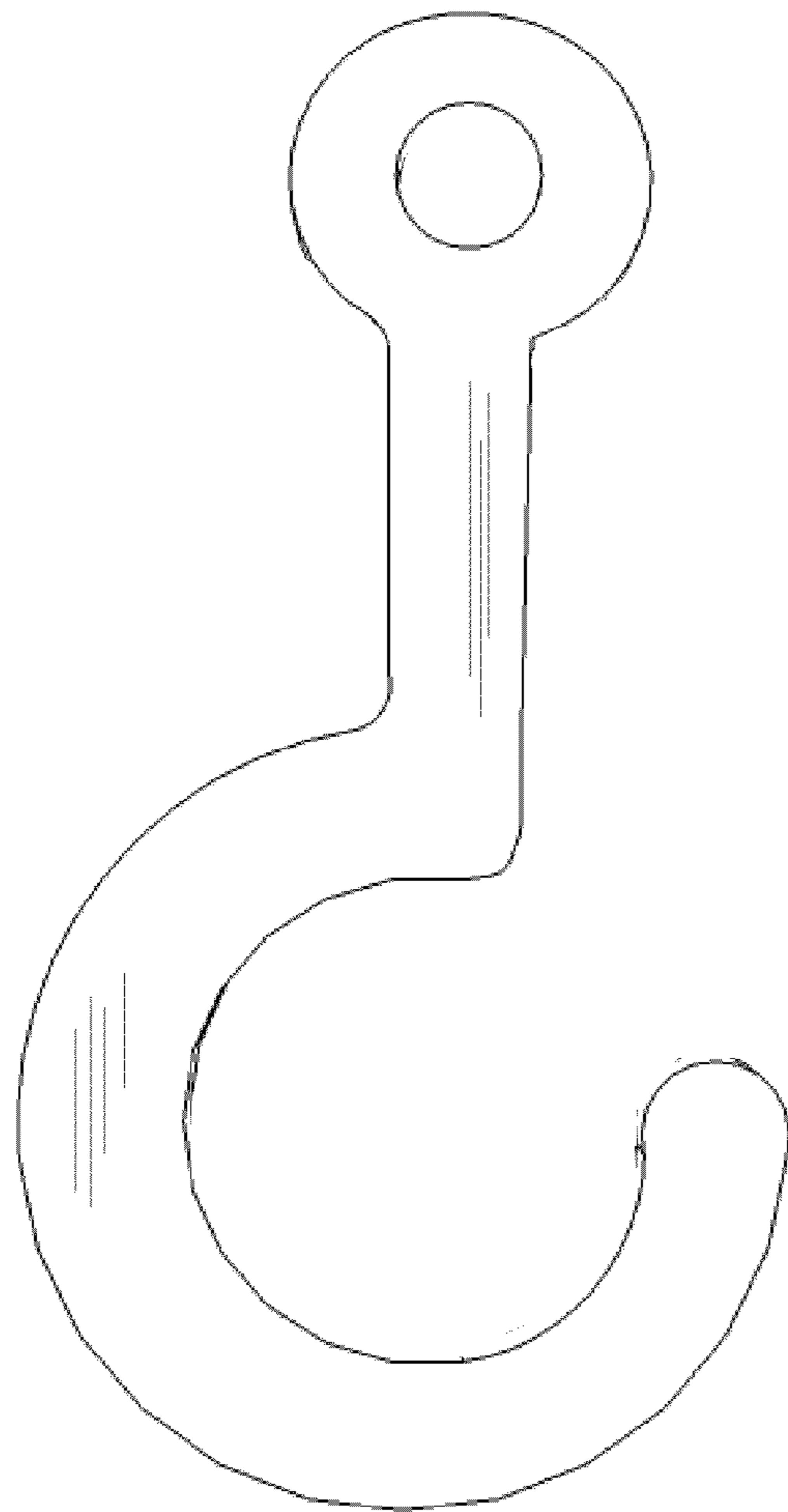


Fig 51

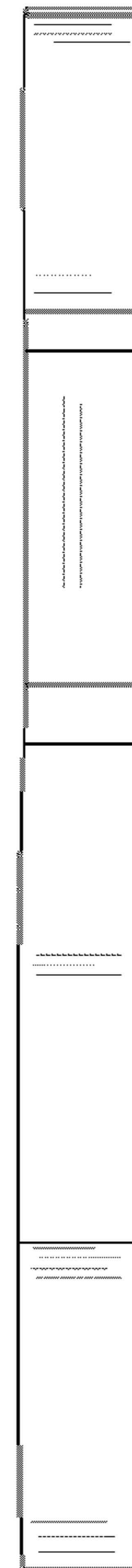


Fig 52

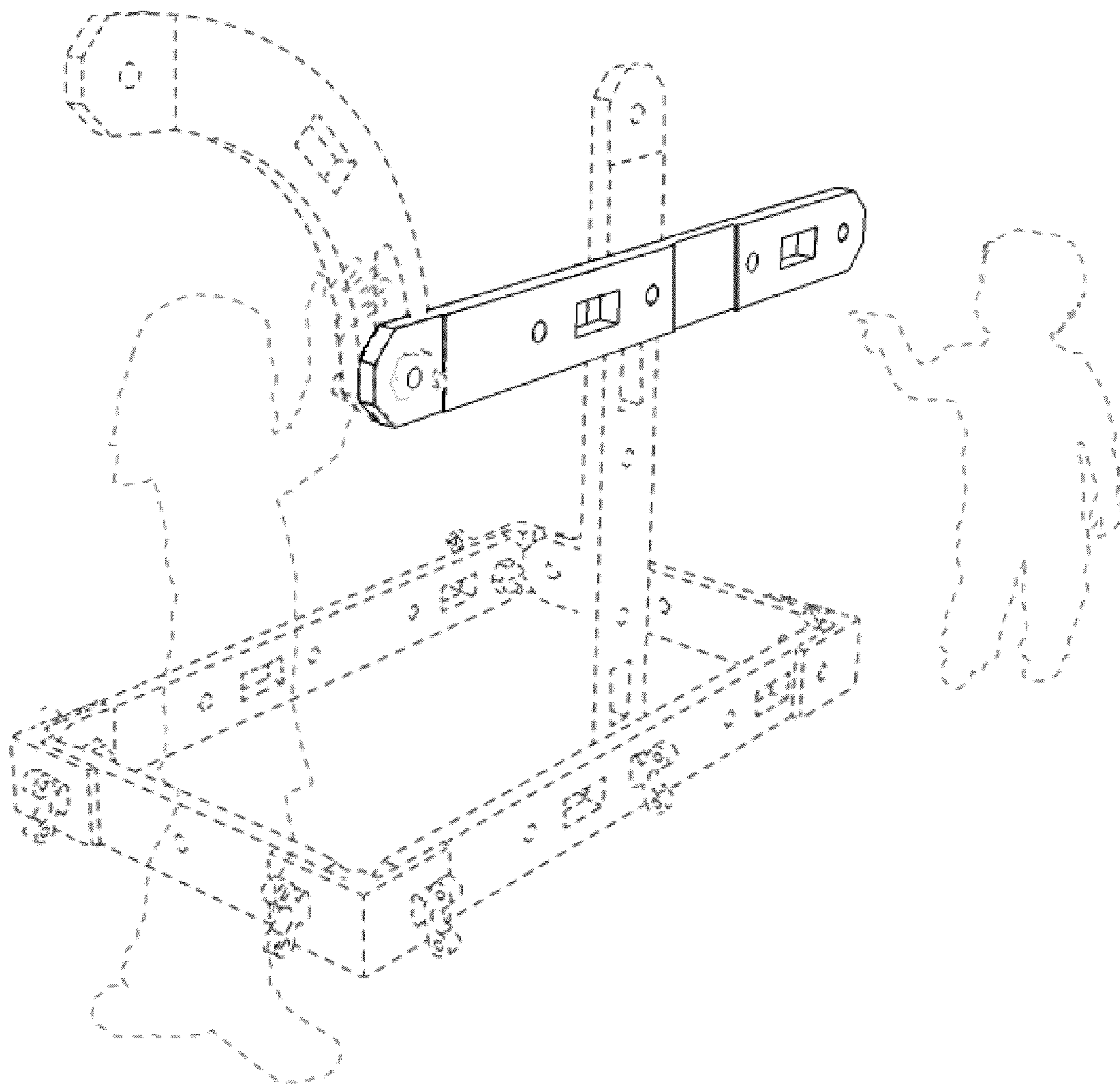


Fig 53