



US00D685857S

(12) **United States Design Patent**
Walker, Jr.

(10) **Patent No.:** **US D685,857 S**
(45) **Date of Patent:** **** Jul. 9, 2013**

(54) **WAIST-MOUNTED TETHERED BALL AND TARGET**

(76) **Inventor:** **Wilmer David Walker, Jr., Atlanta, GA (US)**

(**) **Term:** **14 Years**

(21) **Appl. No.:** **29/413,562**

(22) **Filed:** **Feb. 16, 2012**

Related U.S. Application Data

(63) Continuation-in-part of application No. 29/379,781, filed on Nov. 24, 2010, now abandoned, which is a continuation-in-part of application No. 12/952,455, filed on Nov. 23, 2010, now Pat. No. 8,366,571.

(51) **LOC (9) Cl.** **21-01**

(52) **U.S. Cl.**
USPC **D21/309**

(58) **Field of Classification Search**
USPC D21/300, 303, 304, 309; 273/330, 273/331-335, 348, 407, 440
See application file for complete search history.

(56) **References Cited**

U.S. PATENT DOCUMENTS

1,947,859	A *	2/1934	Lathers	273/329
2,089,652	A *	8/1937	Kelly	273/335
2,488,919	A	11/1949	Mansfield	
2,570,860	A	10/1951	Redding	
2,670,204	A *	2/1954	Powell	473/108
3,078,099	A *	2/1963	Hyman	473/505
3,610,622	A	10/1971	Haroski	
D226,770	S *	4/1973	Prischak et al.	D21/309
3,774,910	A	11/1973	Walker, Jr.	
3,782,727	A	1/1974	Chirnomas	
3,936,051	A	2/1976	Walker, Jr.	
D239,648	S	4/1976	Somsky	
4,000,898	A	1/1977	Cooter	

4,013,292	A	3/1977	Cohen et al.	
4,059,271	A	11/1977	Dupre	
D248,585	S	7/1978	Lincoln	
4,248,435	A	2/1981	Barmore	
4,274,639	A	6/1981	Flanders	
D285,811	S *	9/1986	Donahoe	D21/304
4,744,563	A	5/1988	Anastasia et al.	
4,911,432	A	3/1990	Walden	
5,163,680	A	11/1992	Amron	
5,244,206	A	9/1993	Clark et al.	

(Continued)

FOREIGN PATENT DOCUMENTS

EM	001868589-0001	5/2011
WO	WO 2004/112919	12/2004
WO	WO 2011/063393	5/2011

OTHER PUBLICATIONS

U.S. Appl. No. 61/263,729, filed Nov. 23, 2009, Walker, Jr.

(Continued)

Primary Examiner — Prabhakar Deshmukh
(74) *Attorney, Agent, or Firm* — Woodcock Washburn LLP

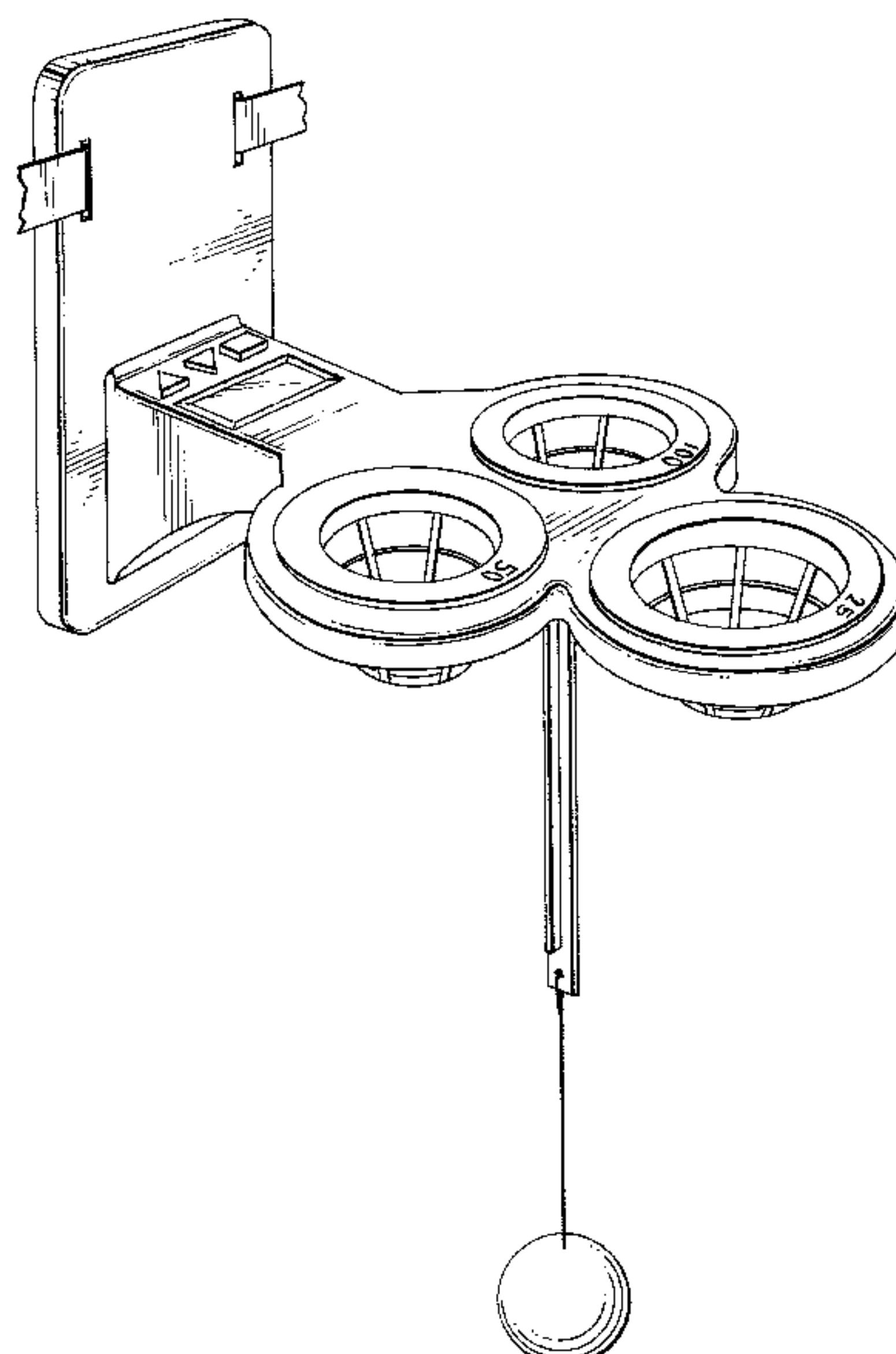
(57) **CLAIM**

I claim the ornamental design for a waist-mounted tethered ball and target, as shown and described.

DESCRIPTION

FIG. 1 is a top view of a waist-mounted tethered ball and target game showing my new design;
FIG. 2 is a bottom view thereof;
FIG. 3 is a front view thereof;
FIG. 4 is a back view thereof;
FIG. 5 is a side view thereof;
FIG. 6 is a perspective, partial bottom view thereof;
FIG. 7 is a perspective, partial back view thereof; and,
FIG. 8 is a perspective top view thereof.

1 Claim, 6 Drawing Sheets



US D685,857 S

Page 2

U.S. PATENT DOCUMENTS

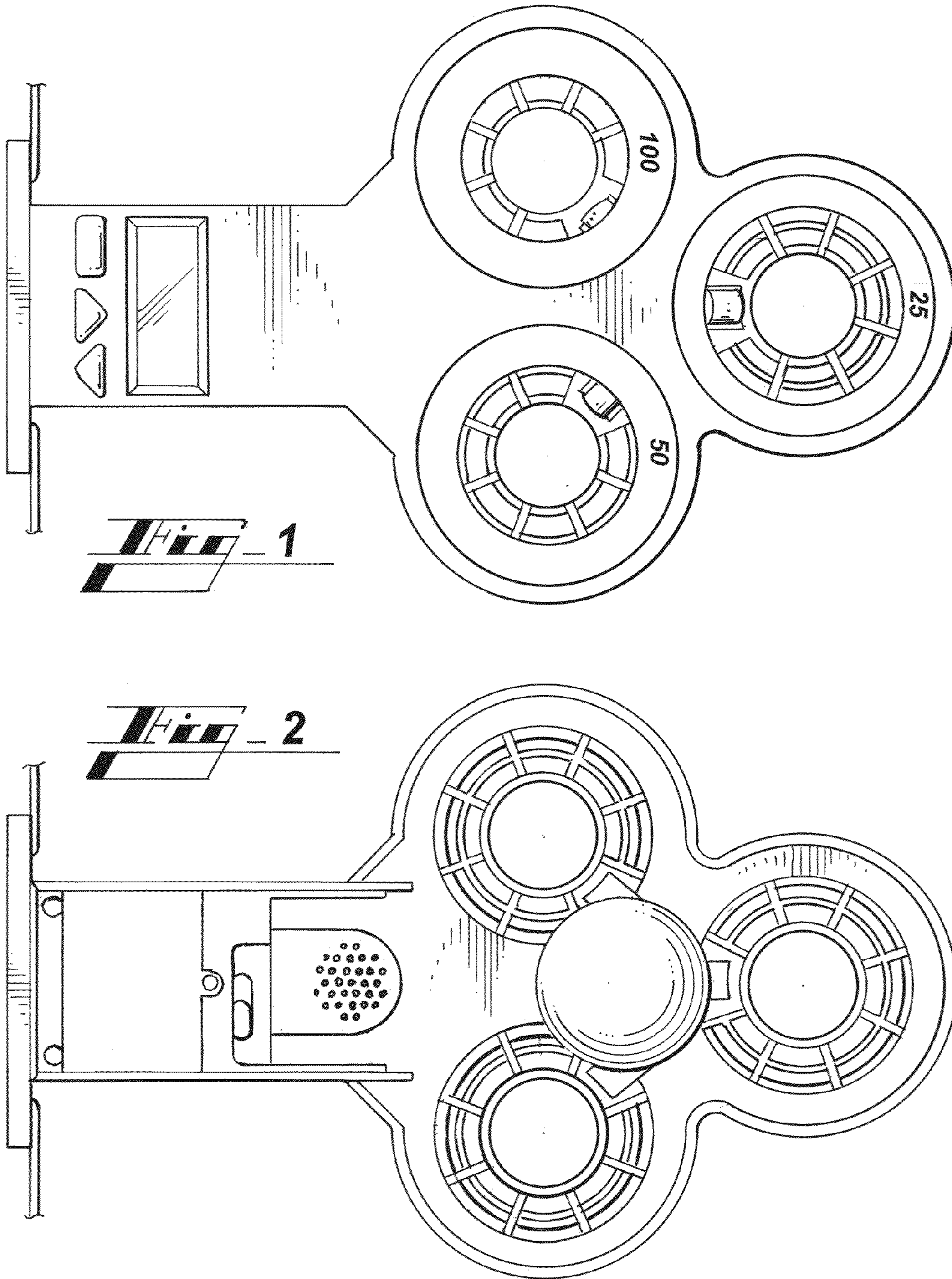
5,249,810 A 10/1993 Cazalet
5,286,031 A * 2/1994 Walker, Jr. 473/507
5,348,307 A 9/1994 Duggan
5,377,996 A 1/1995 Shure
5,405,149 A 4/1995 Allen
D365,128 S 12/1995 Testasecca et al.
5,722,662 A 3/1998 Howell
D423,057 S * 4/2000 Mooney D21/304
6,910,977 B2 6/2005 Baquero

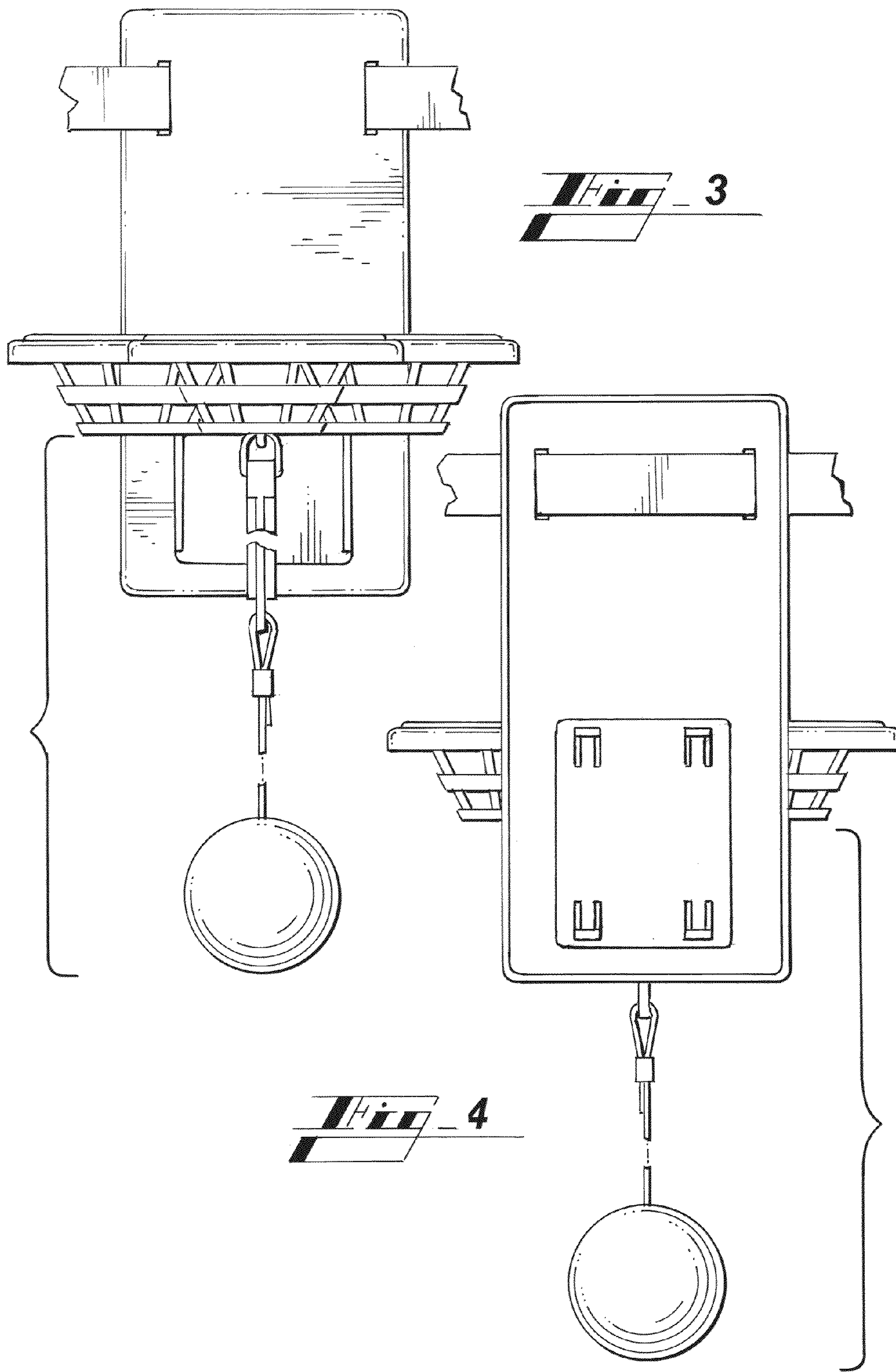
6,991,509 B1 1/2006 Carley et al.
7,641,199 B1 1/2010 Clarke
7,909,329 B1 * 3/2011 Martinson 273/330
8,366,571 B2 * 2/2013 Walker, Jr. 473/507
2011/0121512 A1 5/2011 Walker, Jr.

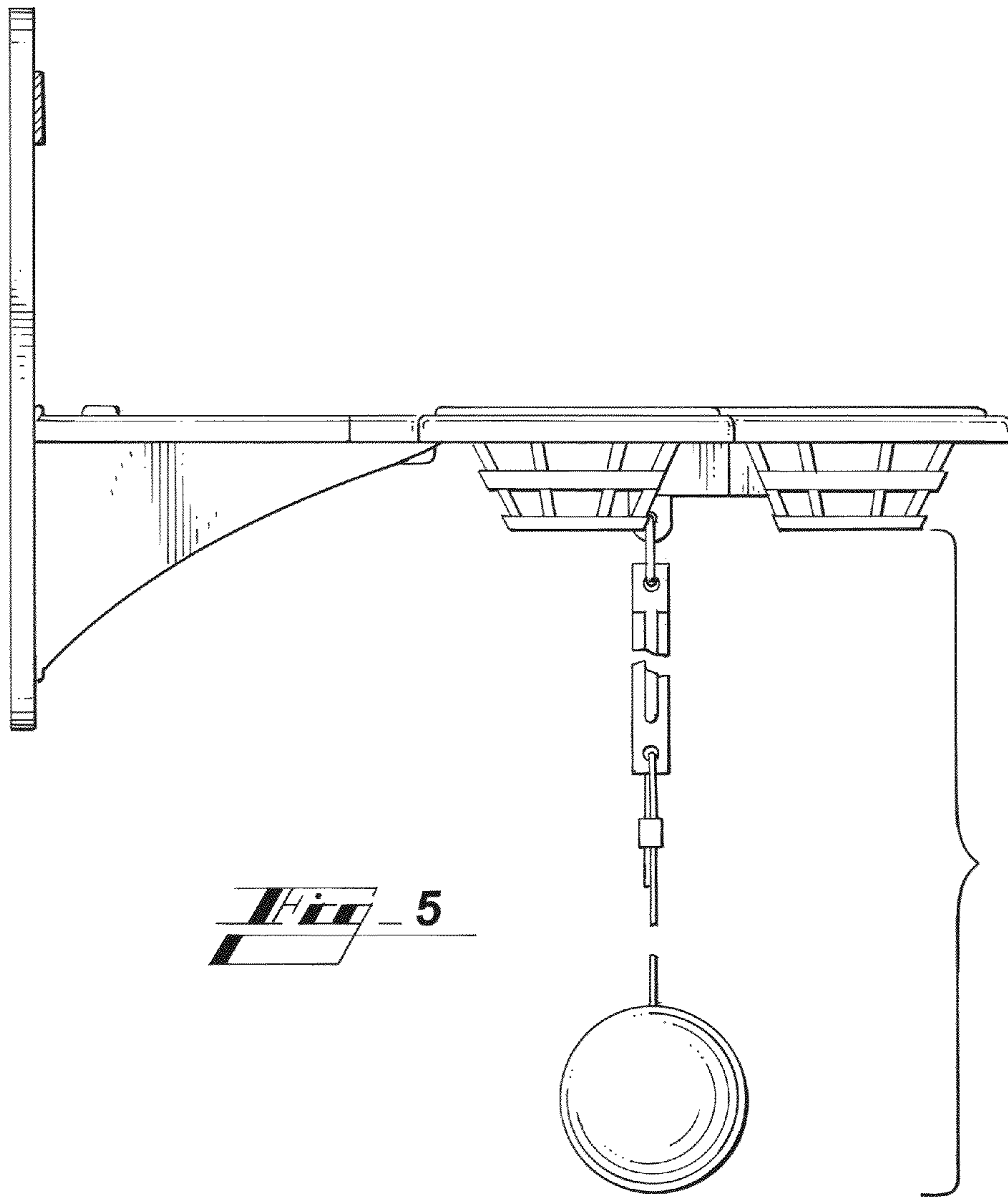
OTHER PUBLICATIONS

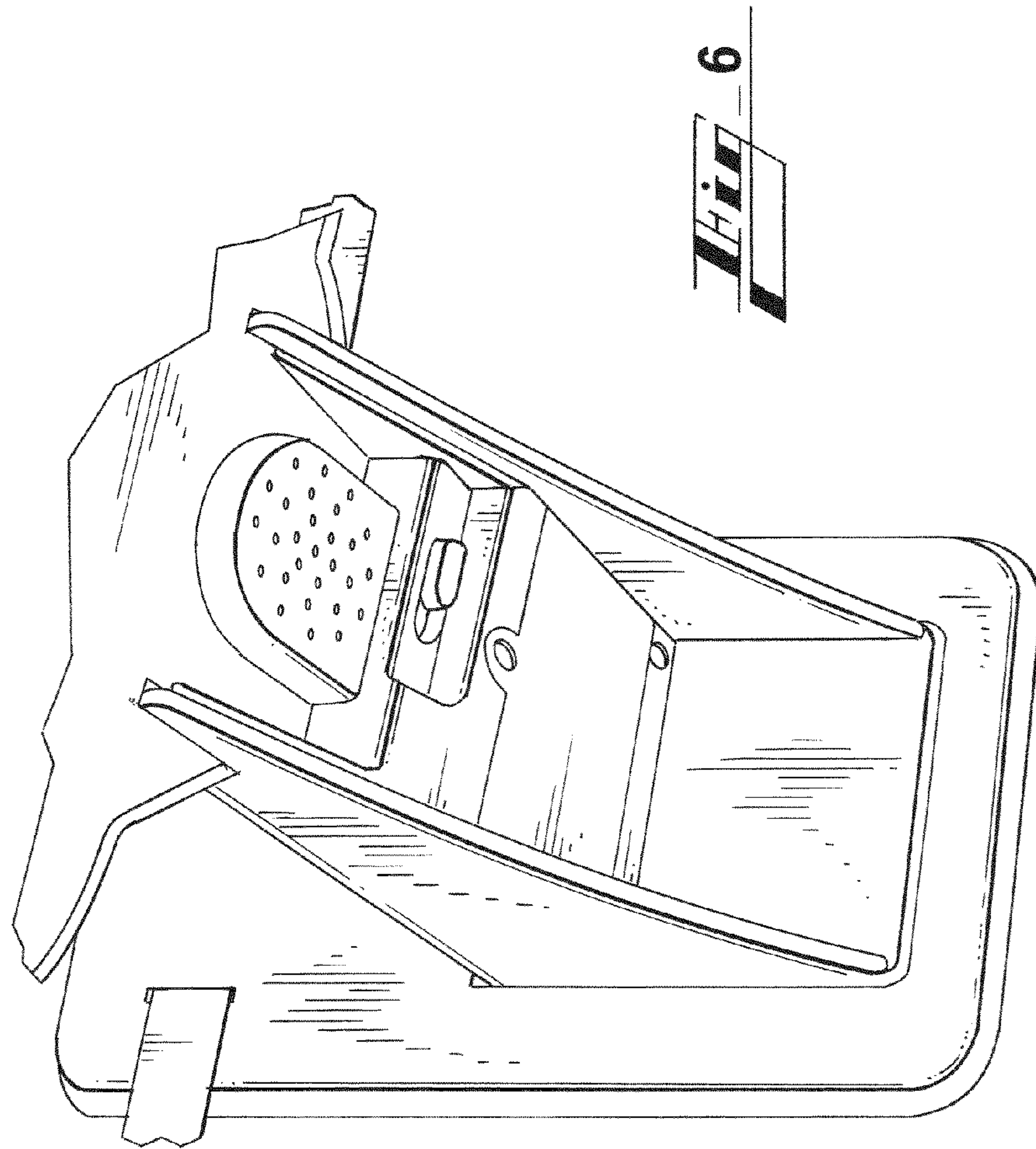
U.S. Appl. No. 29/379,781, filed Nov. 24, 2010, Walker, Jr.

* cited by examiner









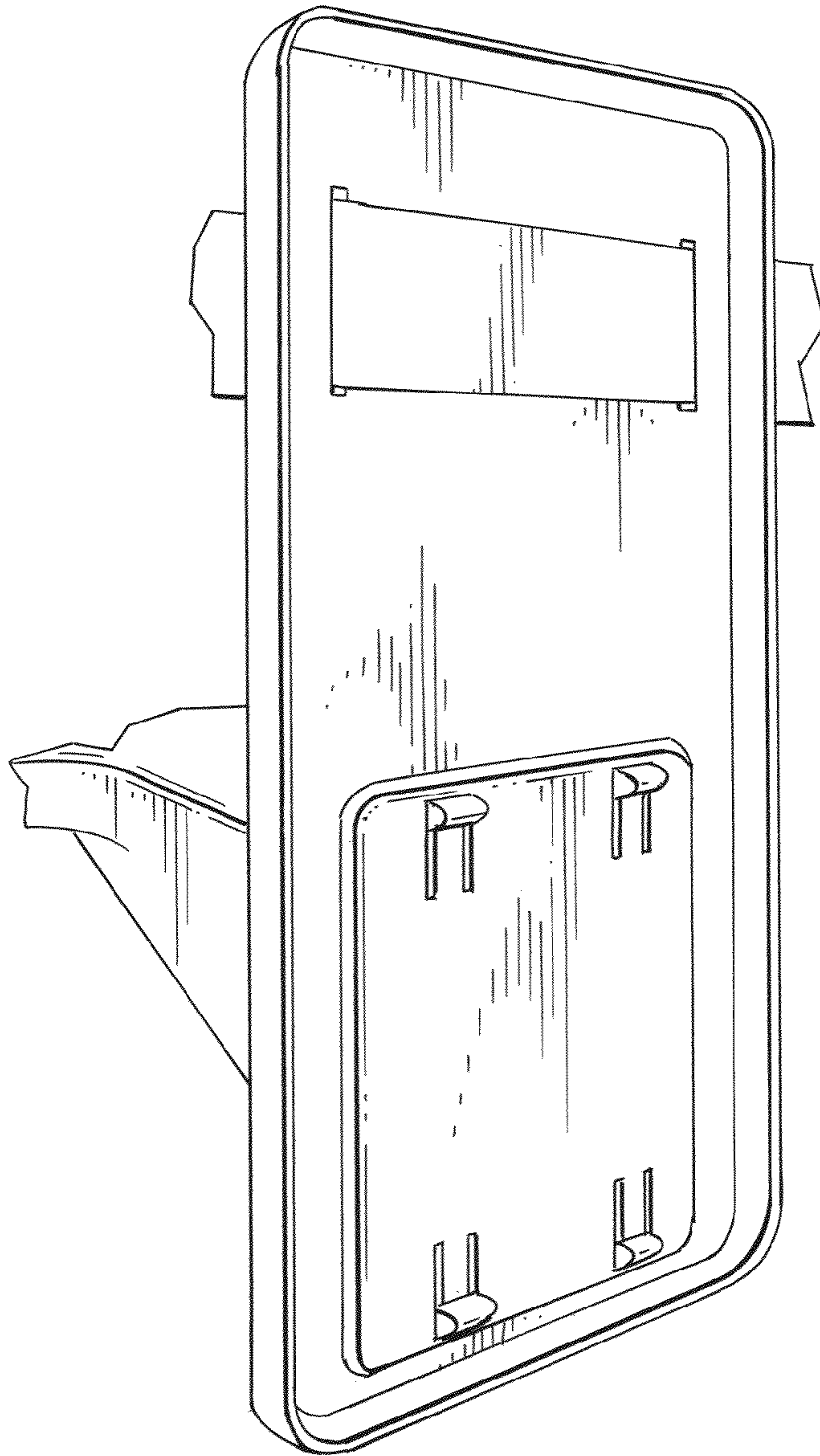


Fig. 7

