



US00D685855S

(12) **United States Design Patent**
Hawkins

(10) **Patent No.:** **US D685,855 S**
(45) **Date of Patent:** **** Jul. 9, 2013**

(54) **SIGN HOLDER**

(75) Inventor: **Laura Hawkins**, Minneapolis, MN (US)

(73) Assignee: **Target Brands, Inc.**, Minneapolis, MN (US)

(**) Term: **14 Years**

(21) Appl. No.: **29/424,944**

(22) Filed: **Jun. 18, 2012**

(51) **LOC (9) Cl.** **20-03**

(52) **U.S. Cl.**
USPC **D20/43**; D20/41

(58) **Field of Classification Search**
USPC D20/10, 19, 21, 41-44, 99; 40/124, 40/503, 642.01, 649-651, 661, 607.01, 607.02, 40/607.12; D6/580; D25/119-123, 126, 131; 211/57.1, 113, 183

See application file for complete search history.

(56) **References Cited**

U.S. PATENT DOCUMENTS

2,049,638	A	8/1936	Bennett	
2,188,404	A	1/1940	Hengel	
2,372,387	A	3/1945	Morin, Jr. et al.	
2,616,196	A	11/1952	Sandahl, Jr. et al.	
2,850,823	A	9/1958	Sauer	
3,327,415	A	6/1967	Pearson	
3,664,626	A	5/1972	Sneller	
D239,338	S	3/1976	Christman et al.	
D242,502	S	11/1976	Hubitsky	
D281,336	S *	11/1985	Ahlgren	D20/21
4,887,783	A	12/1989	Franklin	
4,919,377	A	4/1990	Alexander et al.	
D308,547	S *	6/1990	Kendes	D20/43
5,253,835	A	10/1993	Herron, III	
5,560,131	A	10/1996	Gibson	
5,722,623	A	3/1998	Gibson	
D403,360	S	12/1998	Cobb et al.	
5,915,856	A	6/1999	Yeranossian	
5,933,992	A	8/1999	Padiak et al.	

RE36,669	E	4/2000	Zilinear, III	
D439,280	S	3/2001	Perelli	
6,256,912	B1 *	7/2001	Gibson et al.	40/503
6,360,465	B1	3/2002	Simpson	
D471,241	S	3/2003	Spiller	
6,533,134	B1	3/2003	Menaged et al.	
6,698,124	B2	3/2004	Kump et al.	

(Continued)

OTHER PUBLICATIONS

U.S. Appl. No. 13/364,914, filed Feb. 2, 2012 (35 pages).

(Continued)

Primary Examiner — Mary Ann Calabrese

(74) *Attorney, Agent, or Firm* — Griffiths & Seaton PLLC; JoAnn M. Seaton

(57) **CLAIM**

The ornamental design for a sign holder, as shown and described.

DESCRIPTION

FIG. 1 is a front, perspective view of a sign holder showing our new design;

FIG. 2 is a front view thereof;

FIG. 3 is a rear view thereof;

FIG. 4 is a right side view thereof, the left side view being a mirror image to the right side view;

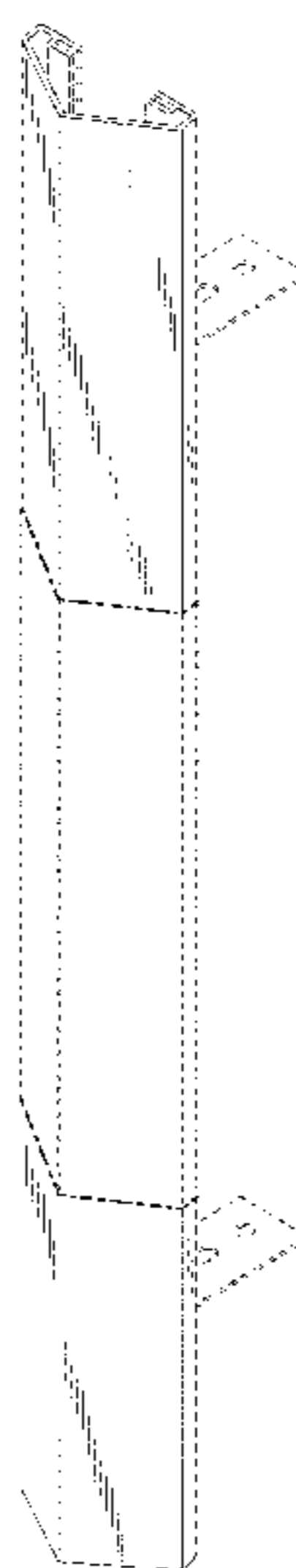
FIG. 5 is a top view thereof; and

FIG. 6 is a bottom view; and,

FIG. 7 is a front, perspective view of the sign holder of FIG. 1 showing our new design with additional environmental subject matter.

The features shown in broken lines are environmental subject matter to the sign holder or portions of the sign holder forming no part of the claimed design. The features shown in long dash-short dash bolded broken lines indicate the bounds of the claimed design and otherwise form no part of the claimed design.

1 Claim, 6 Drawing Sheets



US D685,855 S

Page 2

U.S. PATENT DOCUMENTS

D544,126 S 6/2007 Stafford
7,257,913 B2* 8/2007 Heller et al. 40/503
7,258,241 B2 8/2007 Reid
7,340,855 B2 3/2008 Wiltfang et al.
D570,004 S 5/2008 Hawkins et al.
D599,130 S 9/2009 Clark et al.
7,600,895 B2 10/2009 Hawkins et al.
D608,115 S 1/2010 Trinh et al.
D608,566 S 1/2010 Trinh et al.
D608,835 S 1/2010 Clark et al.
D608,837 S 1/2010 Trinh et al.
D616,035 S * 5/2010 Kosir et al. D20/44

8,166,683 B2* 5/2012 Cheetwood 40/124
8,171,663 B1 5/2012 Engelby et al.
2004/0149671 A1* 8/2004 Krueger et al. 211/183
2011/0132854 A1 6/2011 Berdahl et al.
2011/0308121 A1 12/2011 Rossi et al.

OTHER PUBLICATIONS

U.S. Appl. No. 29/412,399, filed Feb. 2, 2012 (9 pages).
U.S. Appl. No. 13/466,491, filed May 8, 2012 (26 pages).
U.S. Appl. No. 29/420,359, filed May 8, 2012 (12 pages).

* cited by examiner

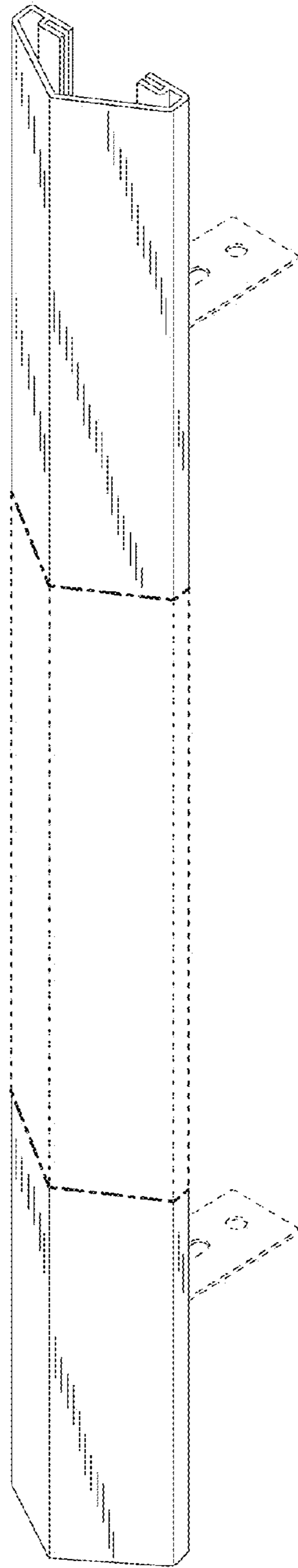


FIG. 1

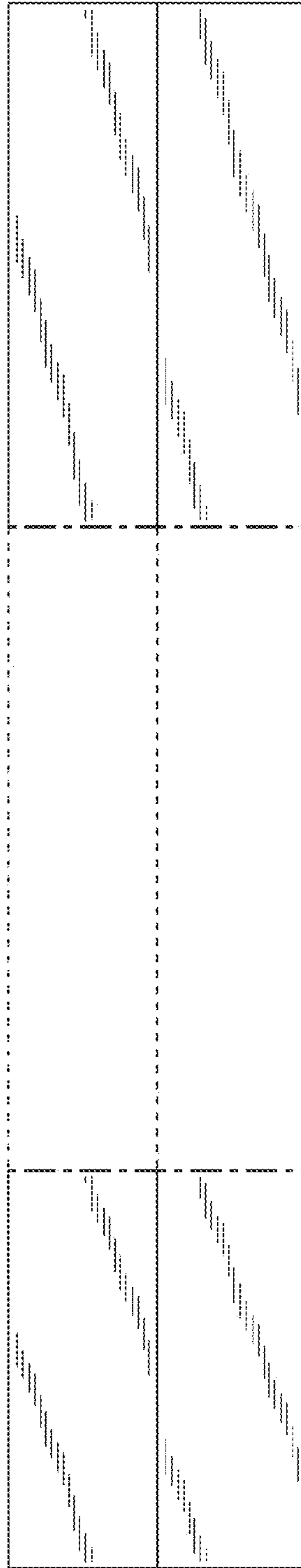


FIG. 2

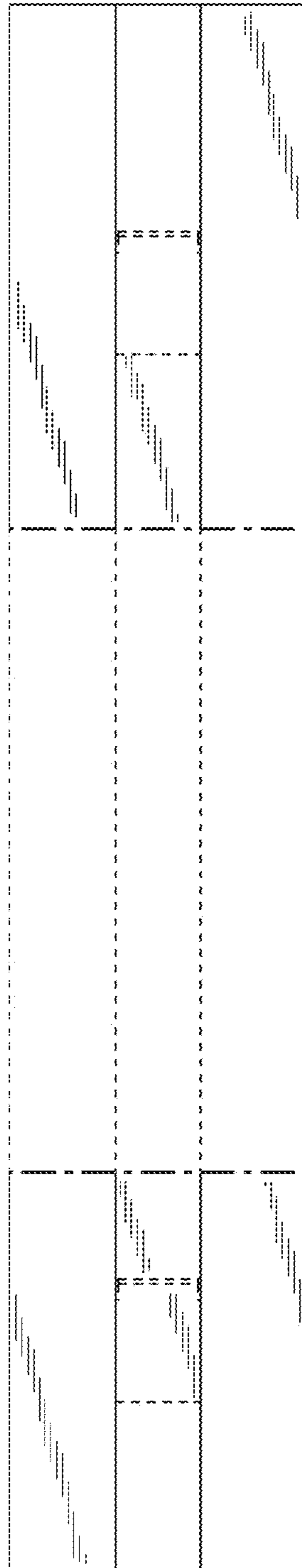


FIG. 3

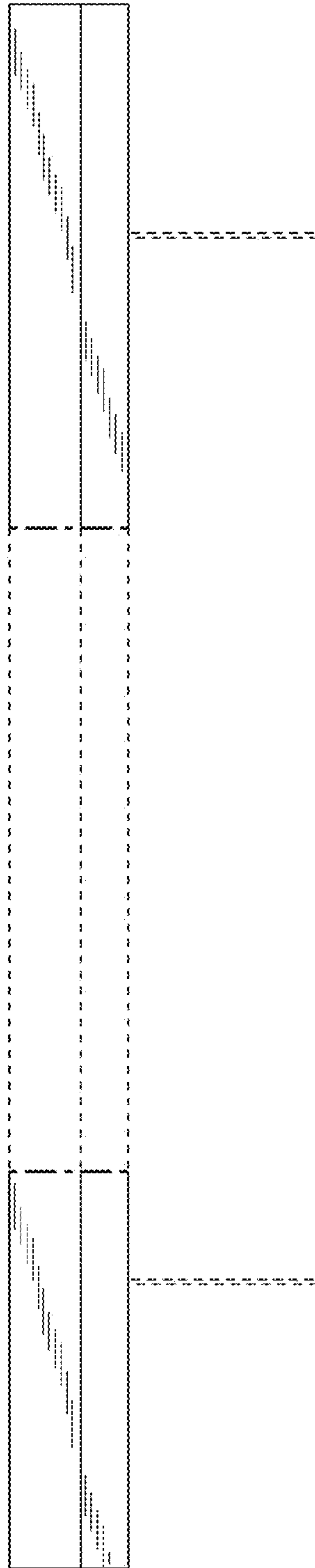


FIG. 4

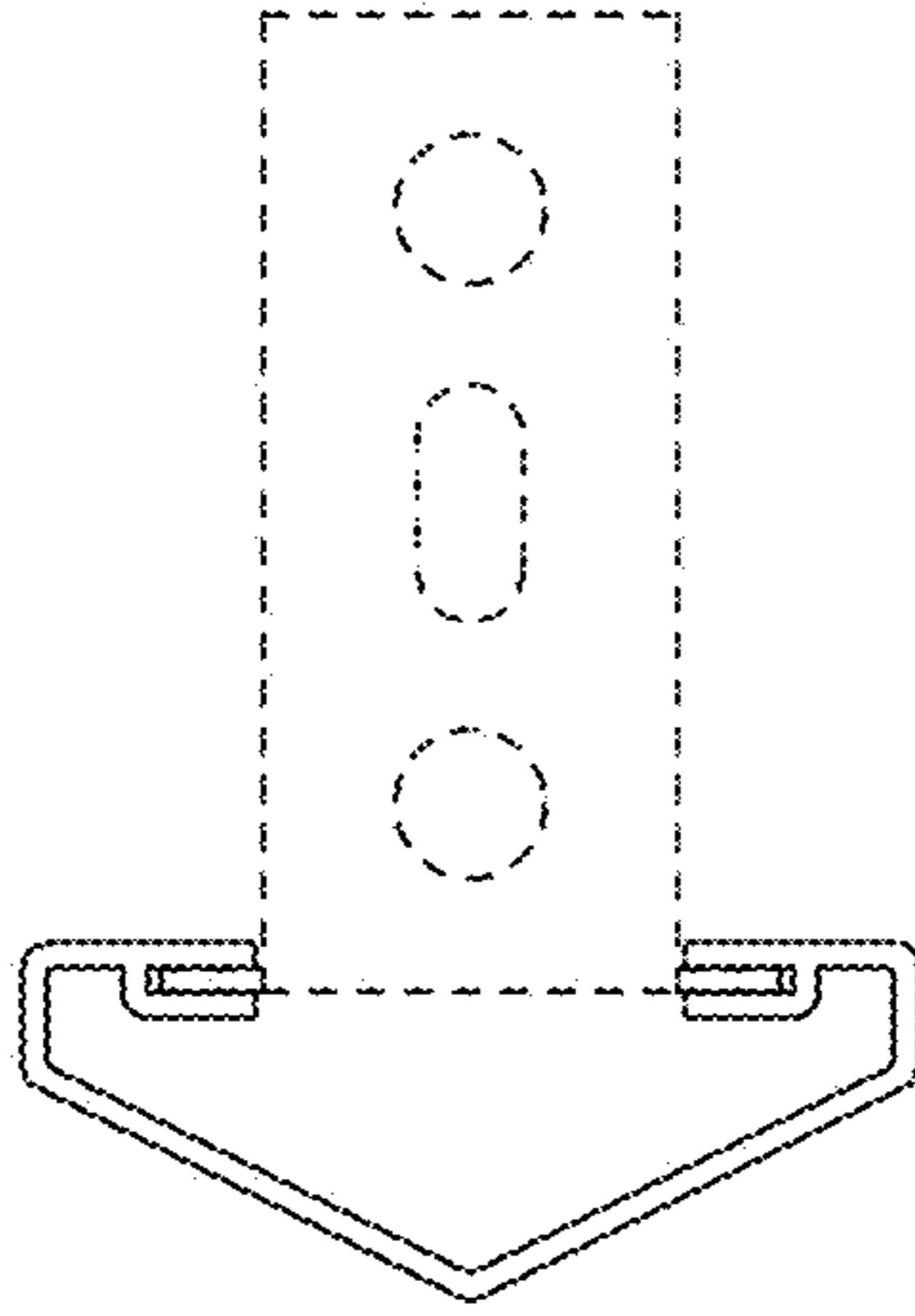


FIG. 5

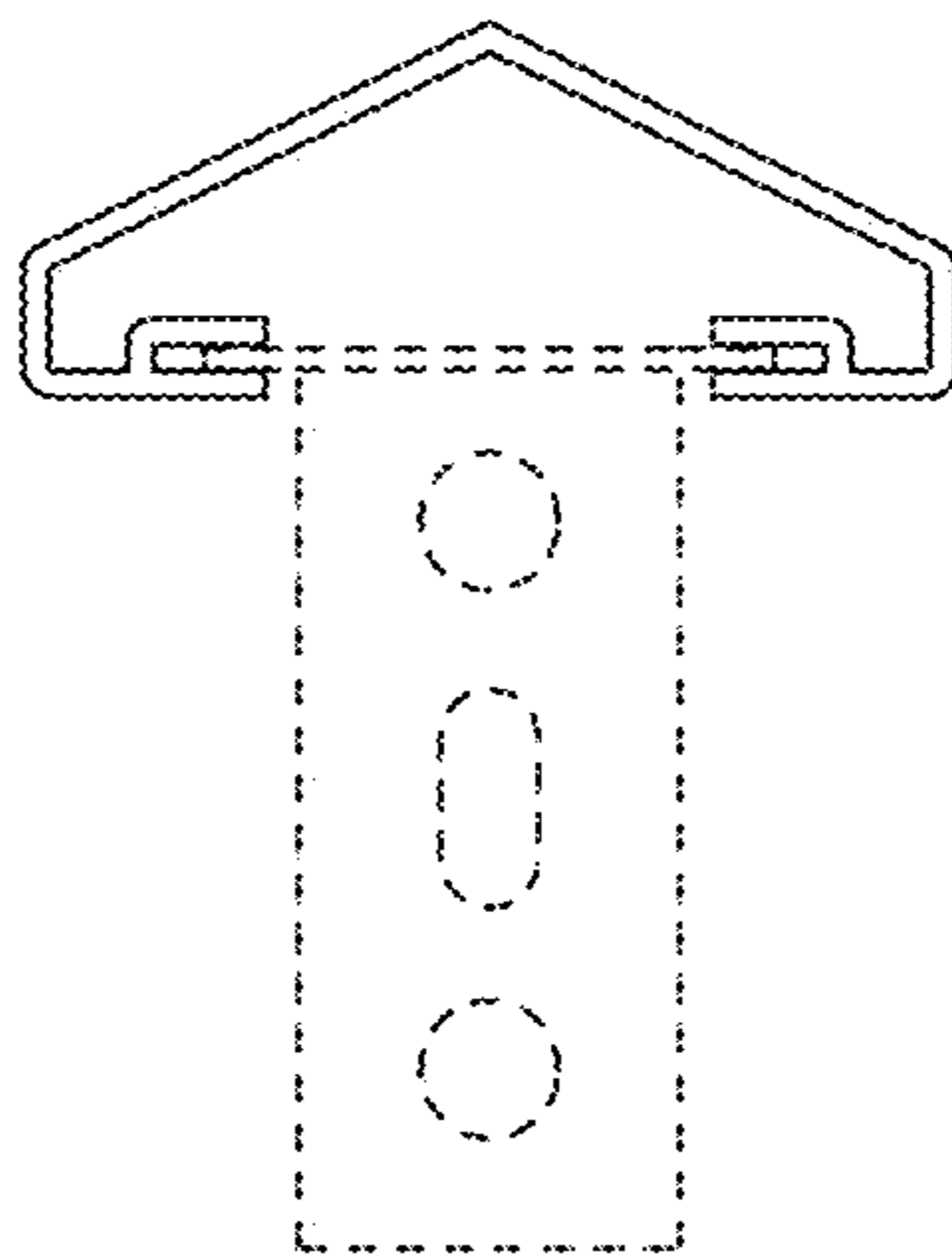


FIG. 6

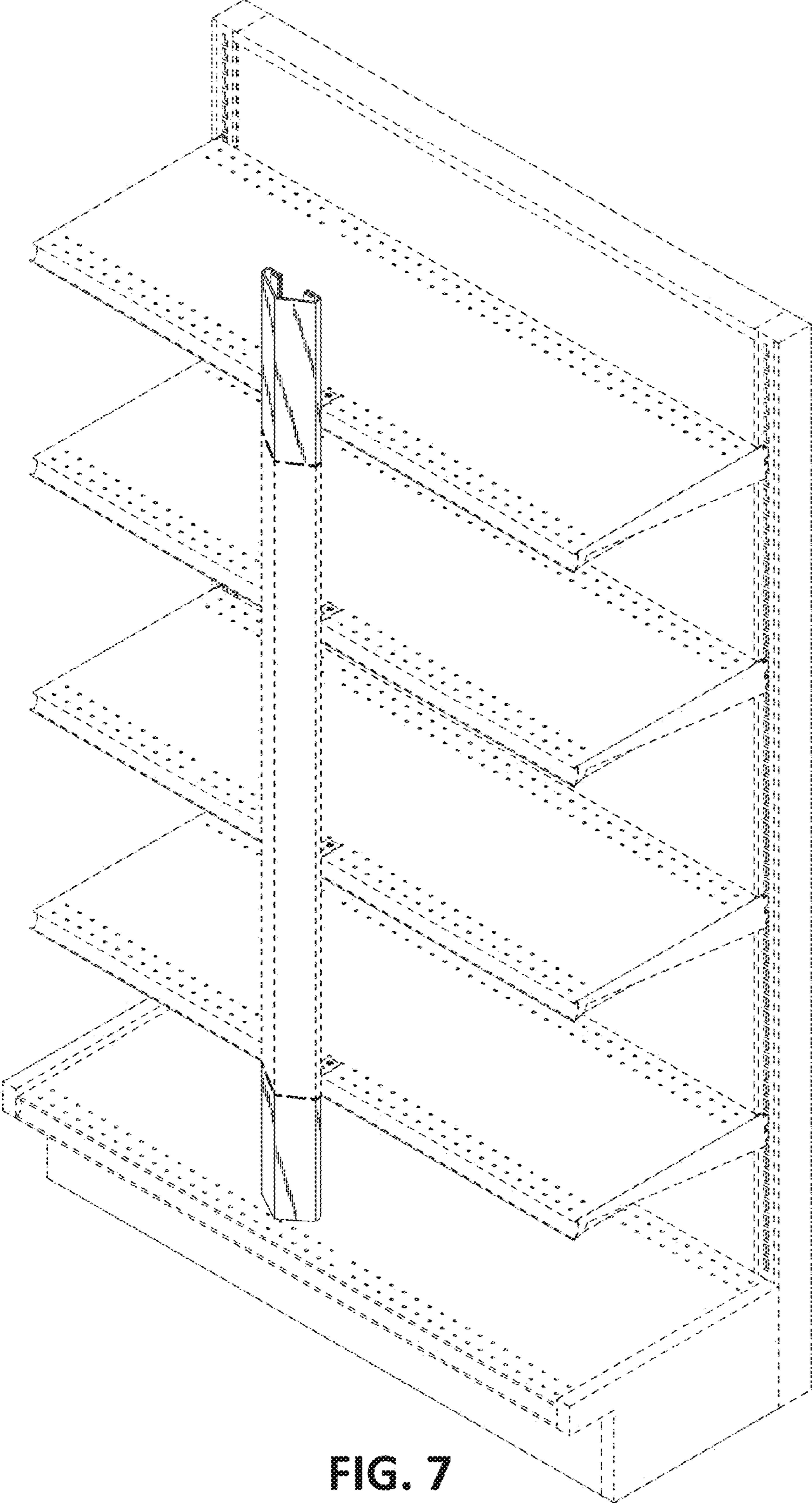


FIG. 7