



US00D685850S

(12) **United States Design Patent**
Hern et al.

(10) **Patent No.:** **US D685,850 S**
(45) **Date of Patent:** **** Jul. 9, 2013**

- (54) **PEN**
- (75) Inventors: **Matthew Hern**, Malibu, CA (US);
Michael Kent, Cumberland, RI (US);
Nicole Ferrari, Ashland, MA (US);
Steve Lubarsky, Feeding Hills, MA (US); **Andrew Schneider**, Wellesley, MA (US)
- (73) Assignee: **Staples The Office Superstore, LLC**, Framingham, MA (US)
- (**) Term: **14 Years**
- (21) Appl. No.: **29/408,609**
- (22) Filed: **Dec. 14, 2011**
- (51) **LOC (9) Cl.** **19-06**
- (52) **U.S. Cl.**
USPC **D19/50**
- (58) **Field of Classification Search**
USPC .. D14/411; D19/35, 36, 41-51, 54-58; 24/11 F, 11 P, 11 R; 401/52, 99-109, 192, 195, 401/196; D28/7, 76, 88
See application file for complete search history.

- D637,230 S * 5/2011 Renner et al. D19/45
- D646,323 S * 10/2011 Renner et al. D19/45
- D654,537 S * 2/2012 Hung D19/36
- D655,339 S * 3/2012 Laemle D19/47
- D662,983 S * 7/2012 Zhang D19/50
- D666,671 S * 9/2012 Liu D19/51
- D667,877 S * 9/2012 Renner et al. D19/45
- D671,168 S * 11/2012 Renner et al. D19/45

* cited by examiner

Primary Examiner — Elizabeth Albert

(74) *Attorney, Agent, or Firm* — Wolf, Greenfield & Sacks, P.C.; Randy J. Pritzker

(57) **CLAIM**

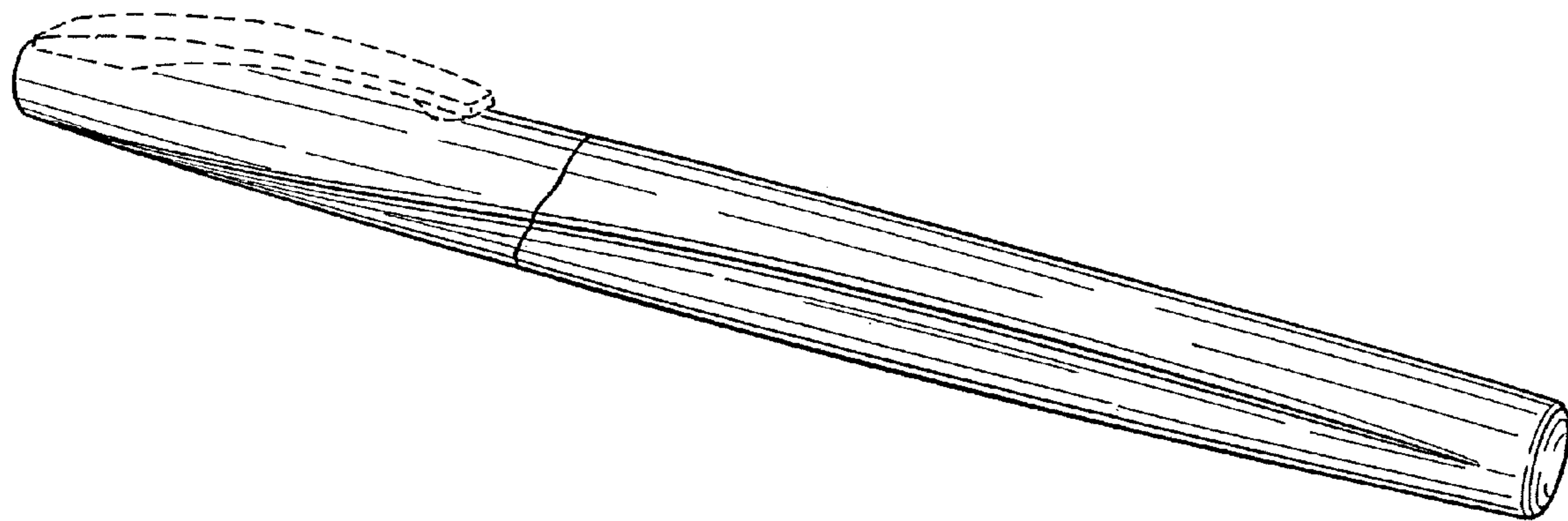
The ornamental design for pen, as shown and described.

DESCRIPTION

FIG. 1 is a side, top, perspective view of a pen showing our new design;
 FIG. 2 is a left side view thereof, the right side view being a mirror image of the left side view;
 FIG. 3 is a top view thereof;
 FIG. 4 is a bottom view thereof;
 FIG. 5 is a front view thereof;
 FIG. 6 is a rear view thereof;
 FIG. 7 is a side, top perspective view of the pen shown without the cap for convenience;
 FIG. 8 is a front view thereof;
 FIG. 9 is a rear view thereof;
 FIG. 10 is a perspective view of the cap shown without the pen for convenience; and,
 FIG. 11 is a rear view thereof.
 The broken lines showing the clip in FIGS. 1-3, 5 and 6; part of the pen in FIGS. 7 and 8; 3 and the inside of the cap and the clip in FIGS. 10 and 11 are included for the purpose of showing portions that form no part of the claimed design.

1 Claim, 3 Drawing Sheets

- (56) **References Cited**
U.S. PATENT DOCUMENTS
- D191,998 S * 12/1961 Doman D19/49
- D202,395 S * 9/1965 Lamb D19/45
- D254,912 S * 5/1980 Ito D19/48
- D261,901 S * 11/1981 Coffman D19/54
- D379,473 S * 5/1997 DeLorenzo et al. D19/55
- 5,893,671 A * 4/1999 Bellue 401/6
- D475,086 S * 5/2003 Kent et al. D19/49
- 6,648,536 B1 * 11/2003 Bellue 401/6
- D547,375 S * 7/2007 Gerules D19/51
- D575,822 S * 8/2008 Rolion et al. D19/50
- D611,536 S * 3/2010 Bridge et al. D19/49
- D628,646 S * 12/2010 Zhano D19/51



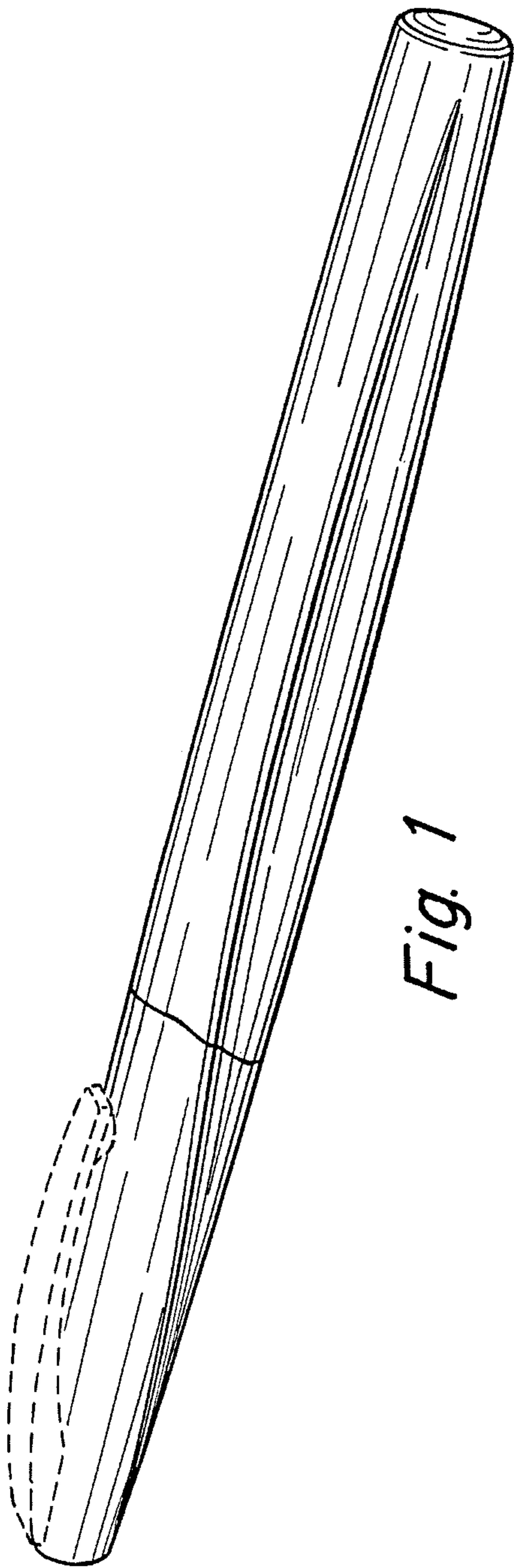


Fig. 1



Fig. 2

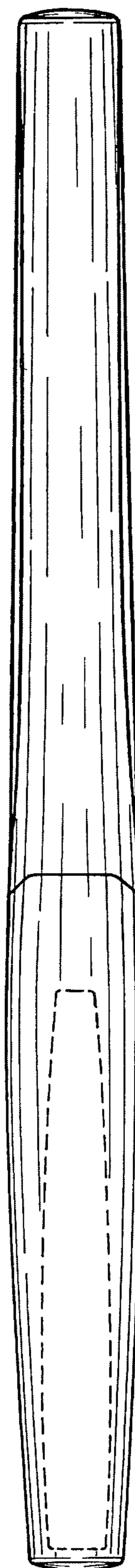


Fig. 3

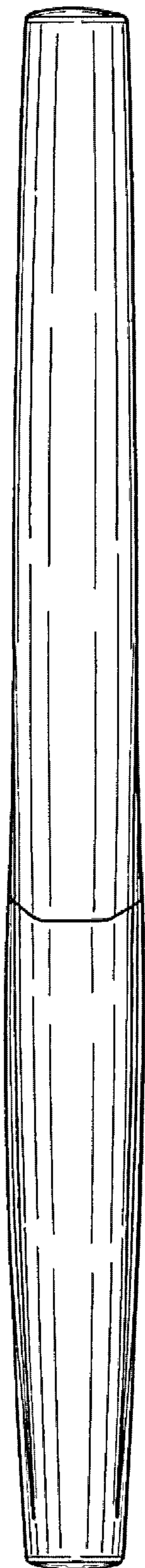


Fig. 4

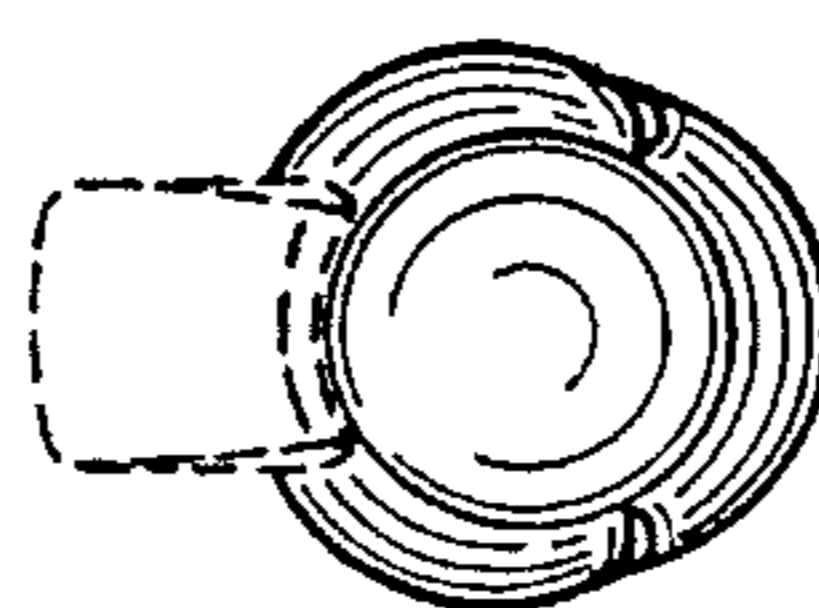


Fig. 5

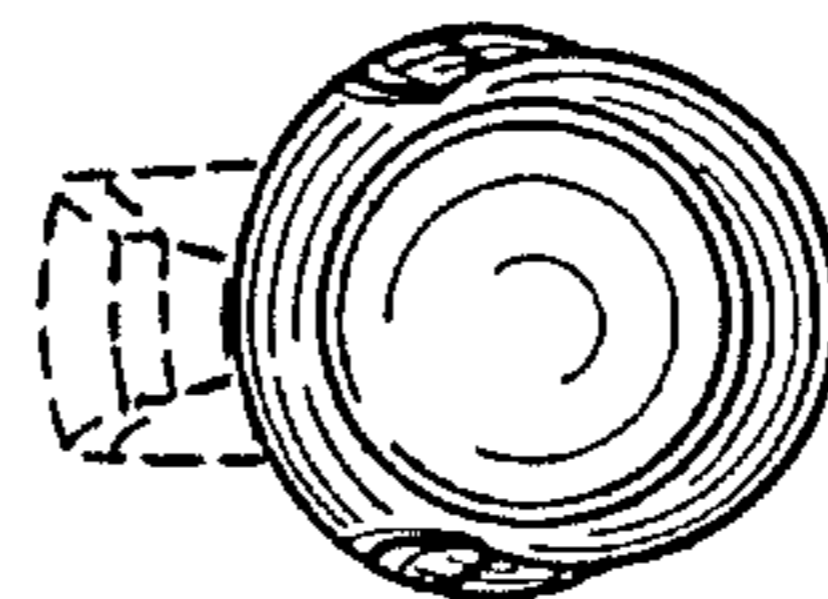


Fig. 6

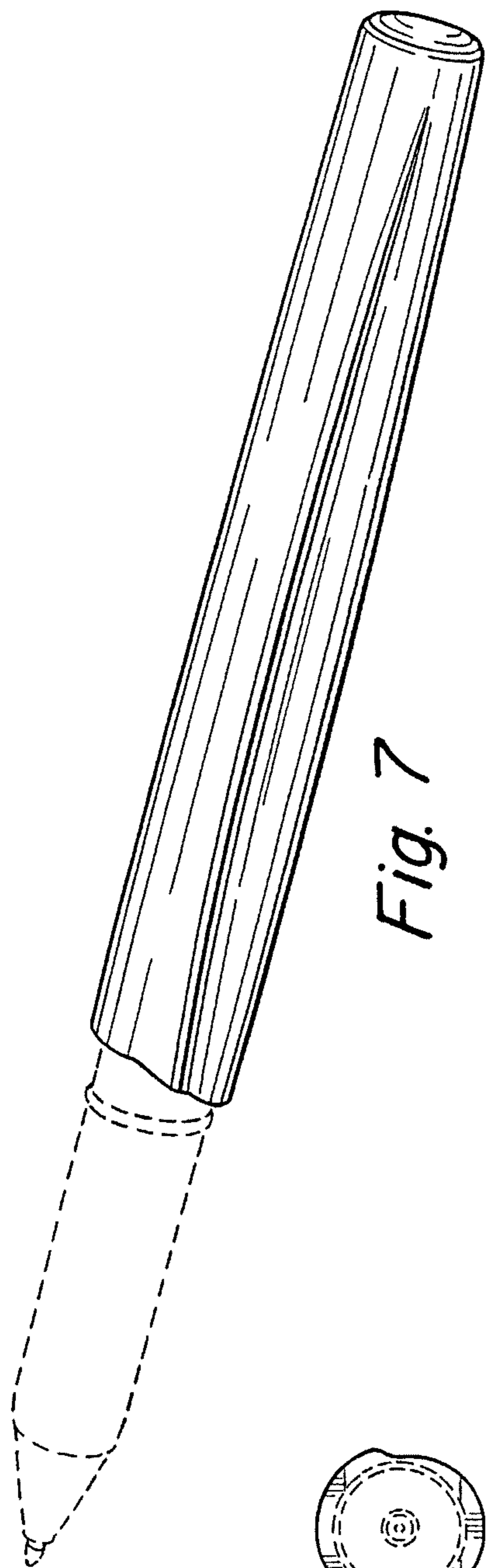


Fig. 7

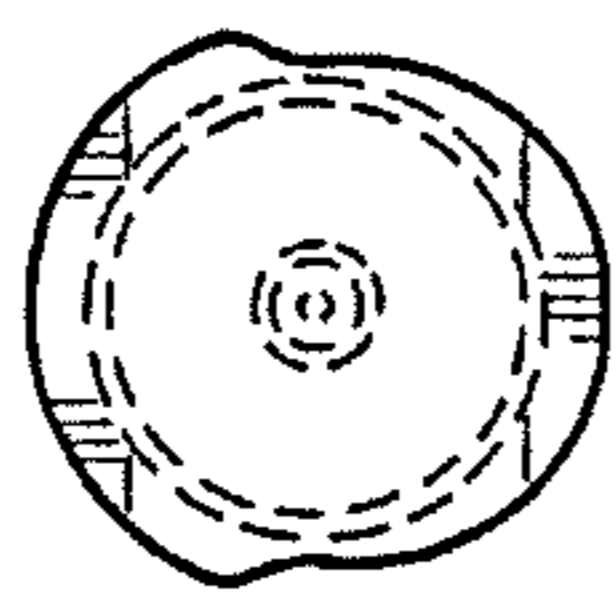


Fig. 8

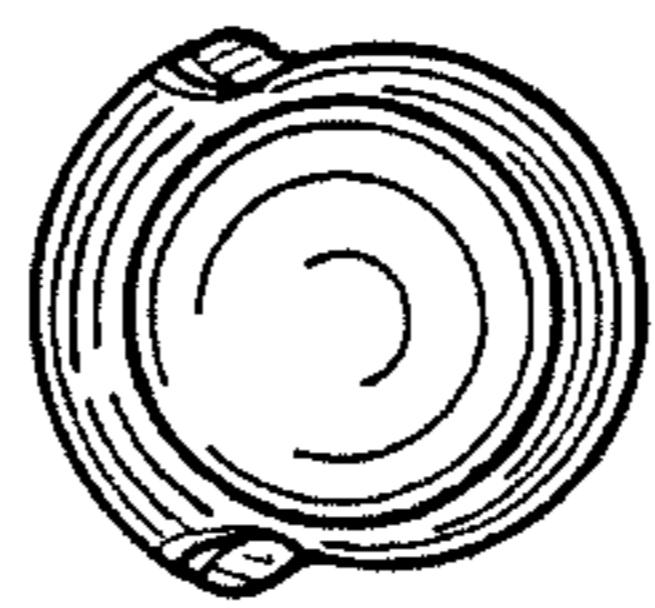


Fig. 9

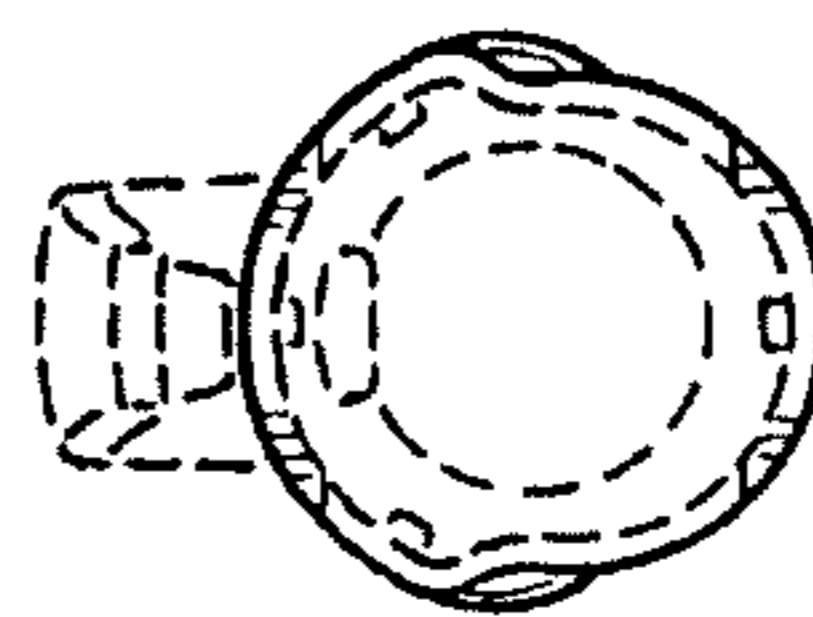


Fig. 11

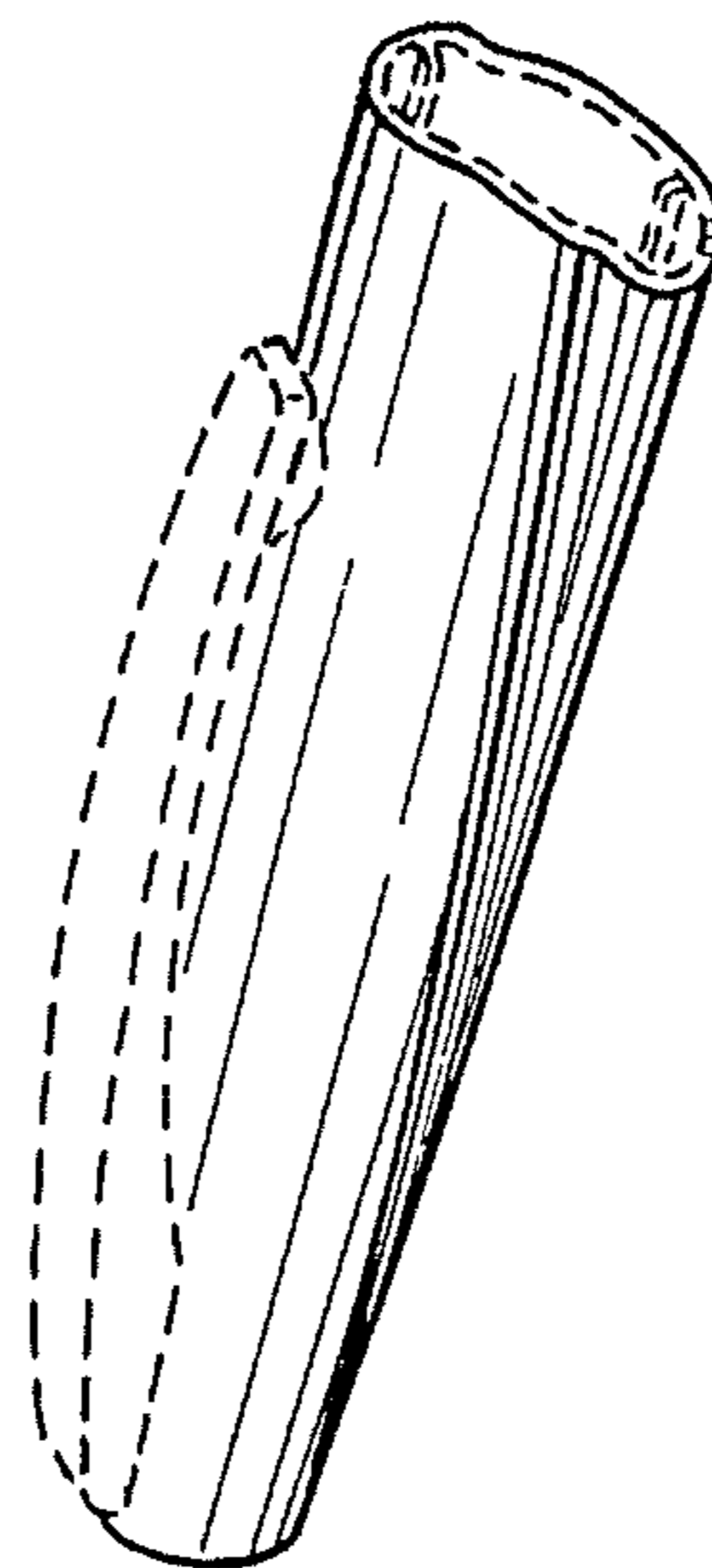


Fig. 10