



US00D685848S

(12) **United States Design Patent**
Chu

(10) **Patent No.:** **US D685,848 S**

(45) **Date of Patent:** **** Jul. 9, 2013**

(54) **PEN WITH STYLUS TIP**

(75) Inventor: **Jiun-Yu Chu**, New Taipei (TW)

(73) Assignee: **Taylor Brands, LLC**, Kingsport, TN (US)

(**) Term: **14 Years**

(21) Appl. No.: **29/417,494**

(22) Filed: **Apr. 4, 2012**

(51) **LOC (9) Cl.** **19-06**

(52) **U.S. Cl.**
USPC **D19/48**

(58) **Field of Classification Search**
USPC .. D14/411; D19/35, 36, 41-51, 54-58; 24/11
F, 11 P, 11 R; 401/52, 99-109, 192, 195,
401/196

See application file for complete search history.

(56) **References Cited**

U.S. PATENT DOCUMENTS

1,508,375	A *	9/1924	Alland	401/52
D179,449	S *	12/1956	Harper	D19/48
D274,357	S *	6/1984	Moreno	D24/142
D499,140	S *	11/2004	Katami	D19/48
D508,641	S *	8/2005	Uchida	D8/61
D566,176	S *	4/2008	Rolion et al.	D19/46
D575,821	S *	8/2008	Tan	D19/50
D579,978	S *	11/2008	Yu et al.	D19/48
D582,980	S *	12/2008	Price	D19/48
D647,963	S *	11/2011	Chu	D19/47

D651,647	S *	1/2012	Chu	D19/49
8,186,995	B2 *	5/2012	Putrello, Jr.	431/273
D670,761	S *	11/2012	Fleming	D19/47
D671,168	S *	11/2012	Renner et al.	D19/45
8,348,539	B2 *	1/2013	Chu et al.	401/195
2004/0036194	A1 *	2/2004	Chadwick et al.	264/250

* cited by examiner

Primary Examiner — Elizabeth Albert

(74) *Attorney, Agent, or Firm* — Luedeka Neely Group, PC

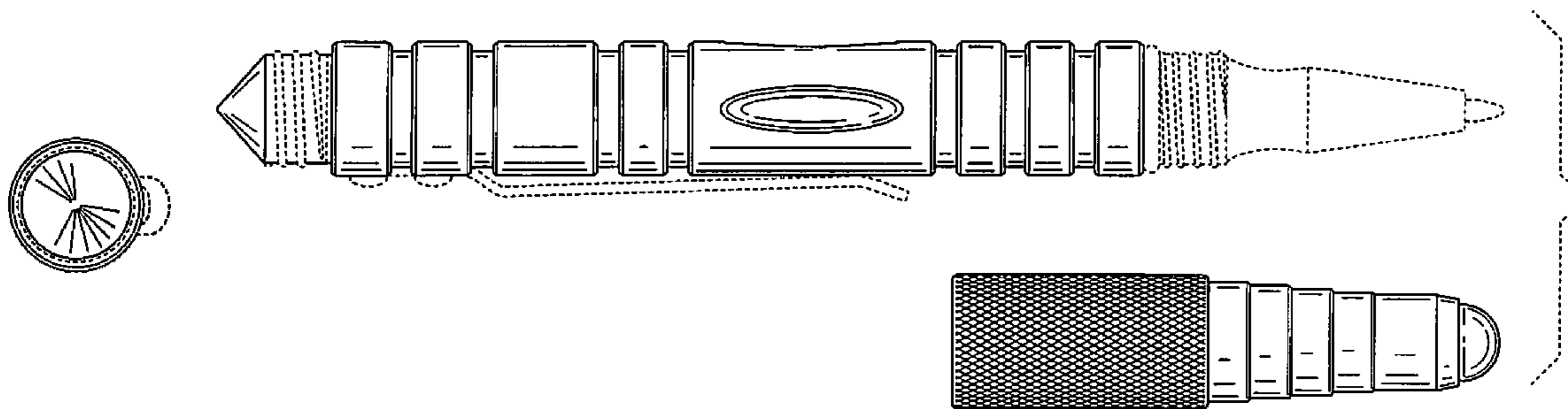
(57) **CLAIM**

The ornamental design for a pen with stylus tip, as shown and described.

DESCRIPTION

FIG. 1 is a perspective view of a pen with stylus tip showing my new design;
 FIG. 2 is a left side elevation view of FIG. 1;
 FIG. 3 is a right side elevation view of FIG. 1;
 FIG. 4 is a front elevation view of FIG. 1;
 FIG. 5 is a rear elevation view of FIG. 1;
 FIG. 6 is a bottom end view of FIG. 1;
 FIG. 7 is a top end view of FIG. 1; and,
 FIG. 8 is an exploded view of FIG. 1 showing a cap removed.
 The broken lines in the drawings are included for the purpose of illustrating unclaimed features and form no part of the claimed design.

1 Claim, 5 Drawing Sheets



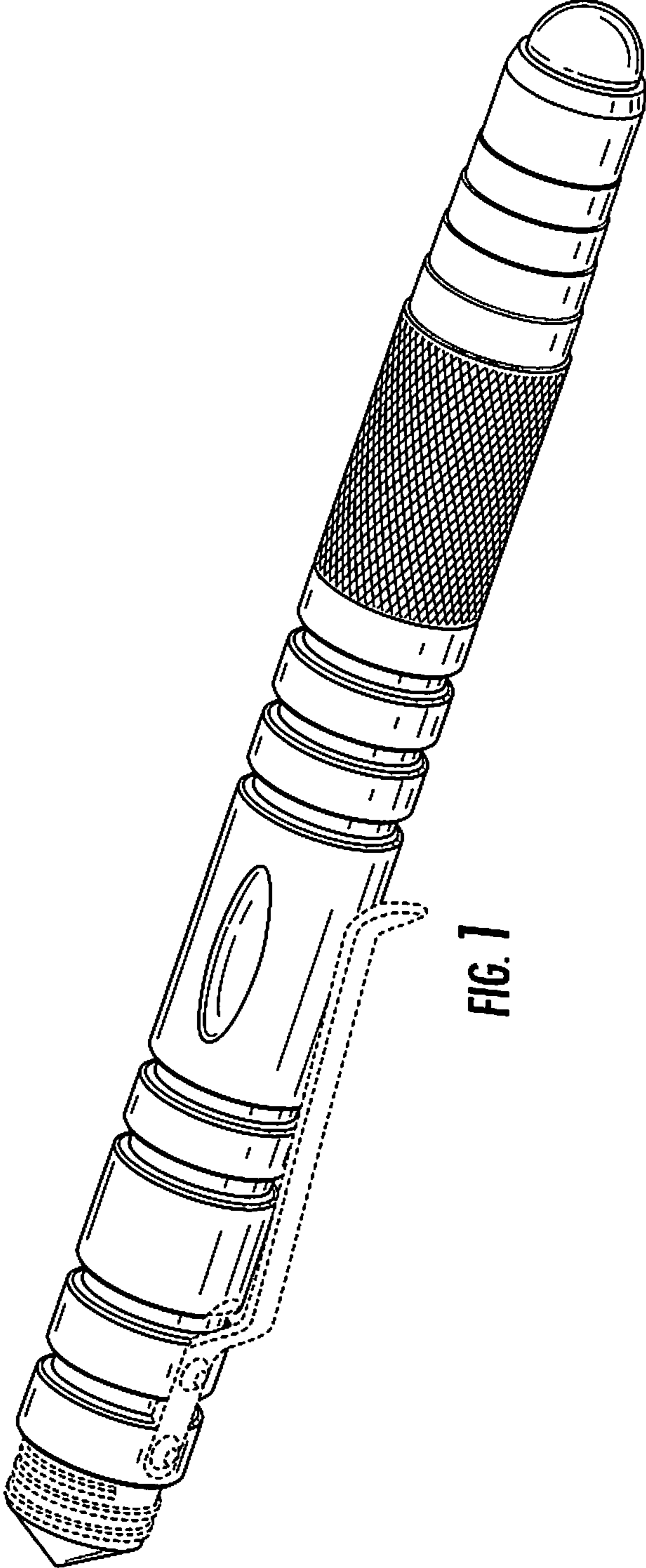


FIG. 1

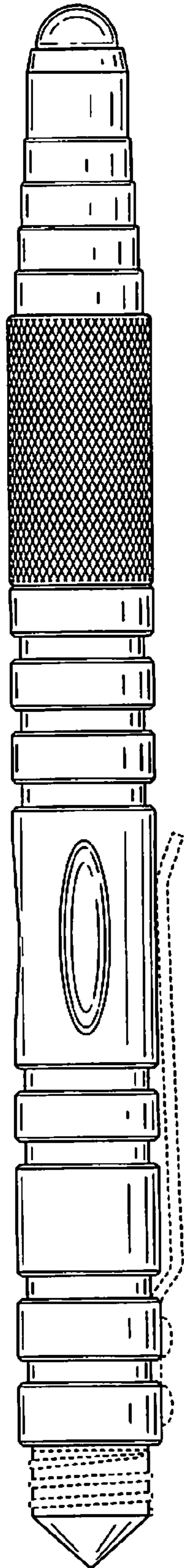


FIG. 2

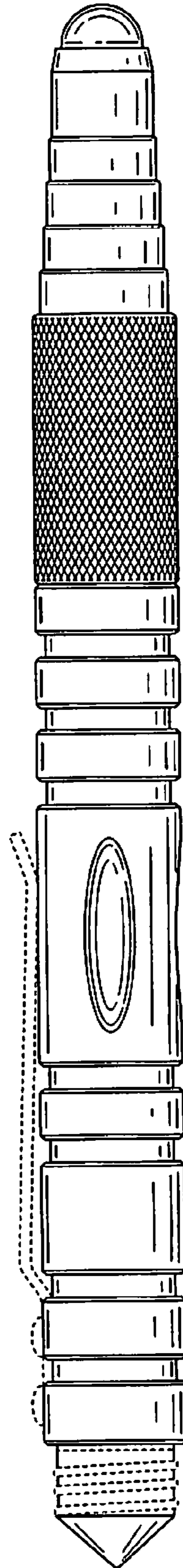


FIG. 3

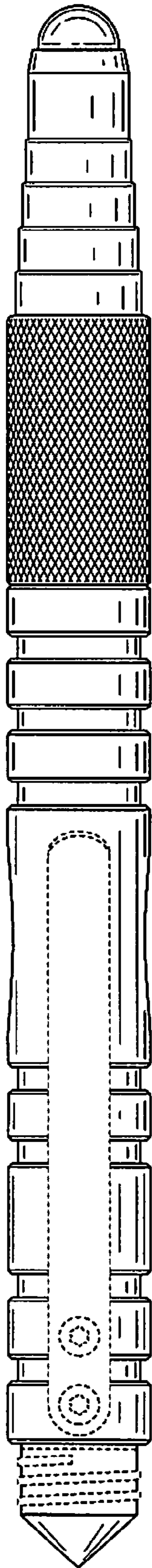


FIG. 4



FIG. 5

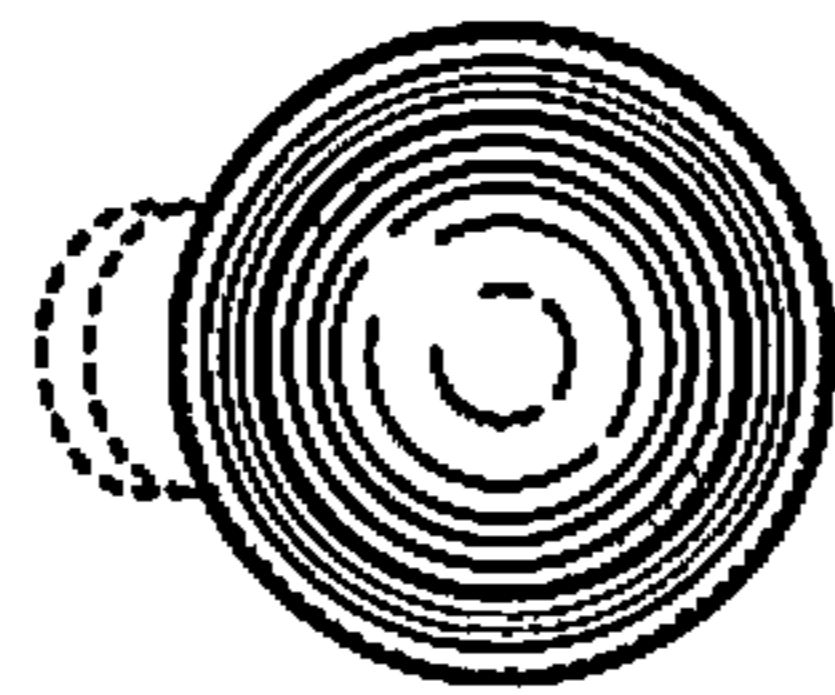


FIG. 6

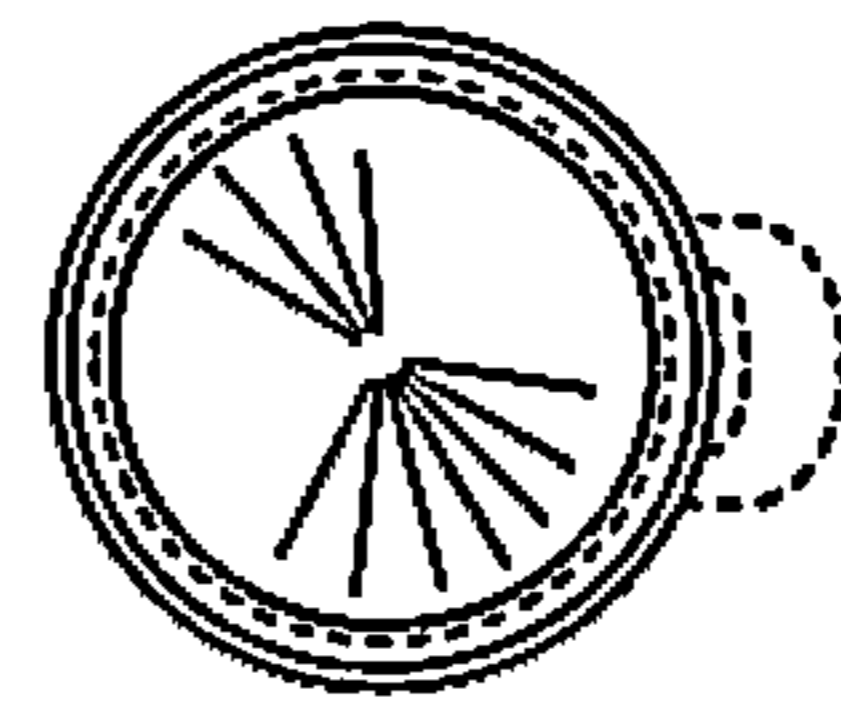


FIG. 7

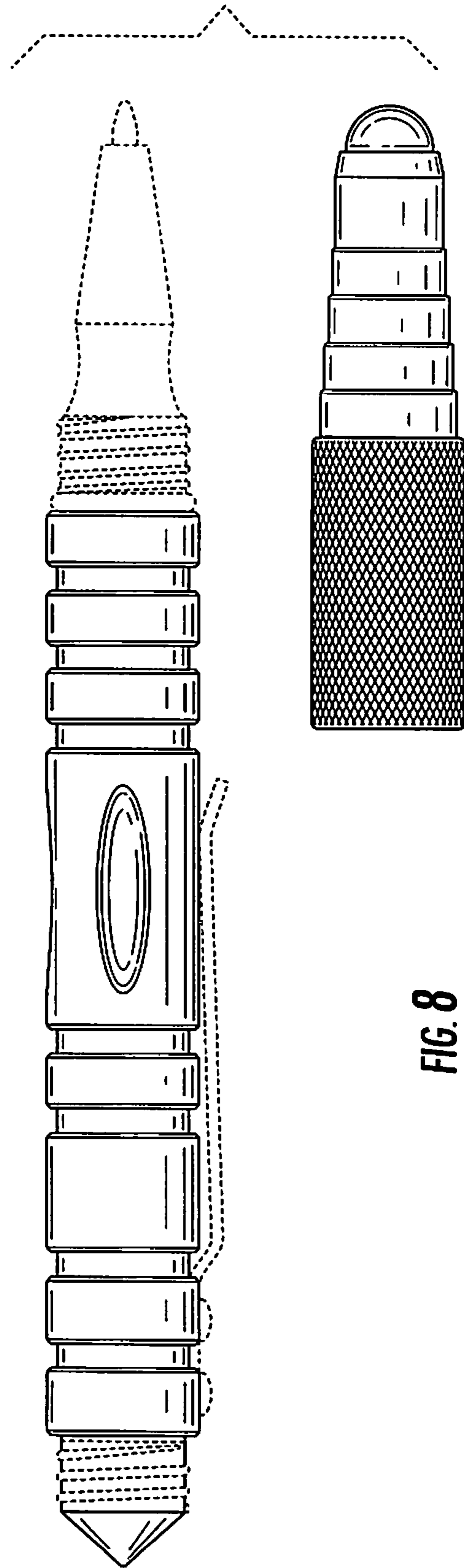


FIG. 8