



US00D685845S

(12) **United States Design Patent**
Zhang

(10) **Patent No.:** **US D685,845 S**
(45) **Date of Patent:** **** Jul. 9, 2013**

(54) **PEN**
(75) **Inventor:** **Binhui Zhang**, Ningbo (CN)
(73) **Assignee:** **Beifa Group Co., Ltd.**, Ningbo (CN)
(**) **Term:** **14 Years**
(21) **Appl. No.:** **29/416,291**
(22) **Filed:** **Mar. 20, 2012**

(30) **Foreign Application Priority Data**

Sep. 29, 2011 (CN) 2011 3 0351098

(51) **LOC (9) Cl.** **19-06**

(52) **U.S. Cl.**
USPC **D19/43**

(58) **Field of Classification Search**
USPC .. D14/411; D19/35, 36, 41-51, 53-58; 24/11
F, 11 P, 11 R; 401/52, 99-109, 192, 195,
401/196

See application file for complete search history.

(56) **References Cited**

U.S. PATENT DOCUMENTS

D203,014 S *	11/1965	Hechtle	D19/51
D206,735 S *	1/1967	Levy	D19/57
D221,033 S *	6/1971	Wakai	D19/43
3,774,389 A *	11/1973	Wilken	368/216
D328,311 S *	7/1992	Nitta	D19/49
D375,323 S *	11/1996	Young	D19/49
5,599,127 A *	2/1997	Fuhrmann et al.	401/202
D391,153 S *	2/1998	Poisson et al.	D19/48
D391,294 S	2/1998	Izushima	
D402,312 S	12/1998	Chevalier	
D465,521 S	11/2002	Qiu	
D530,745 S *	10/2006	Kent et al.	D19/43
D530,748 S *	10/2006	Kent et al.	D19/57
D546,386 S *	7/2007	Qiu	D19/43

D546,387 S *	7/2007	Qiu	D19/43
D547,802 S *	7/2007	Jeon	D19/43
D549,775 S *	8/2007	Kent et al.	D19/48
D586,853 S *	2/2009	Tan	D19/49
D641,787 S *	7/2011	Tan	D19/48
D647,961 S *	11/2011	Zhang	D19/43
D648,386 S *	11/2011	Zhang	D19/43
D655,337 S *	3/2012	Zhang	D19/45
D662,980 S *	7/2012	Jiang	D19/43
D672,808 S *	12/2012	Liang et al.	D19/43
D672,809 S *	12/2012	Jiang et al.	D19/43

OTHER PUBLICATIONS

Liang, W., "Pen," U.S. Appl. No. 29/389,630, filed Apr. 14, 2011.
Xie, J., "Pen," U.S. Appl. No. 29/389,633, filed Apr. 14, 2011.
Zhang, B., "Pen Cap," U.S. Appl. No. 29/416,294, filed Mar. 20, 2012.

* cited by examiner

Primary Examiner — Elizabeth Albert

(74) *Attorney, Agent, or Firm* — Christensen O'Connor Johnson Kindness PLLC

(57) **CLAIM**

The ornamental design for a pen, as shown and described.

DESCRIPTION

FIG. 1 is a front right perspective view of a pen showing my new design;

FIG. 2 is a front elevation view thereof;

FIG. 3 is a rear elevation view thereof;

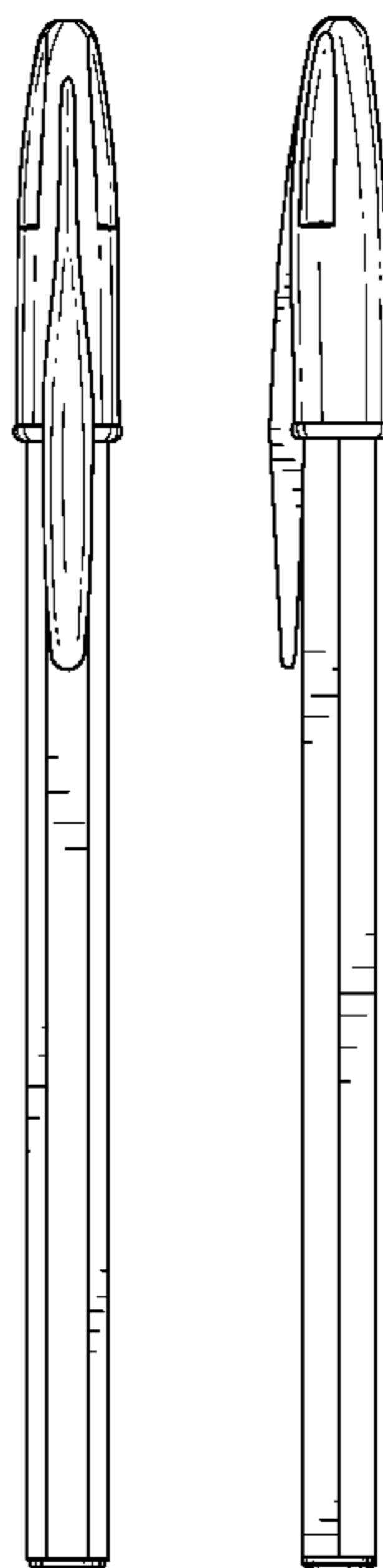
FIG. 4 is a right side elevation view thereof, with the left side elevation view being a mirror image of the right side elevation view;

FIG. 5 is an enlarged top plan view thereof; and,

FIG. 6 is an enlarged bottom plan view thereof.

The broken lines in FIGS. 5 and 6 illustrate environmental structure and form no part of the claimed design.

1 Claim, 4 Drawing Sheets



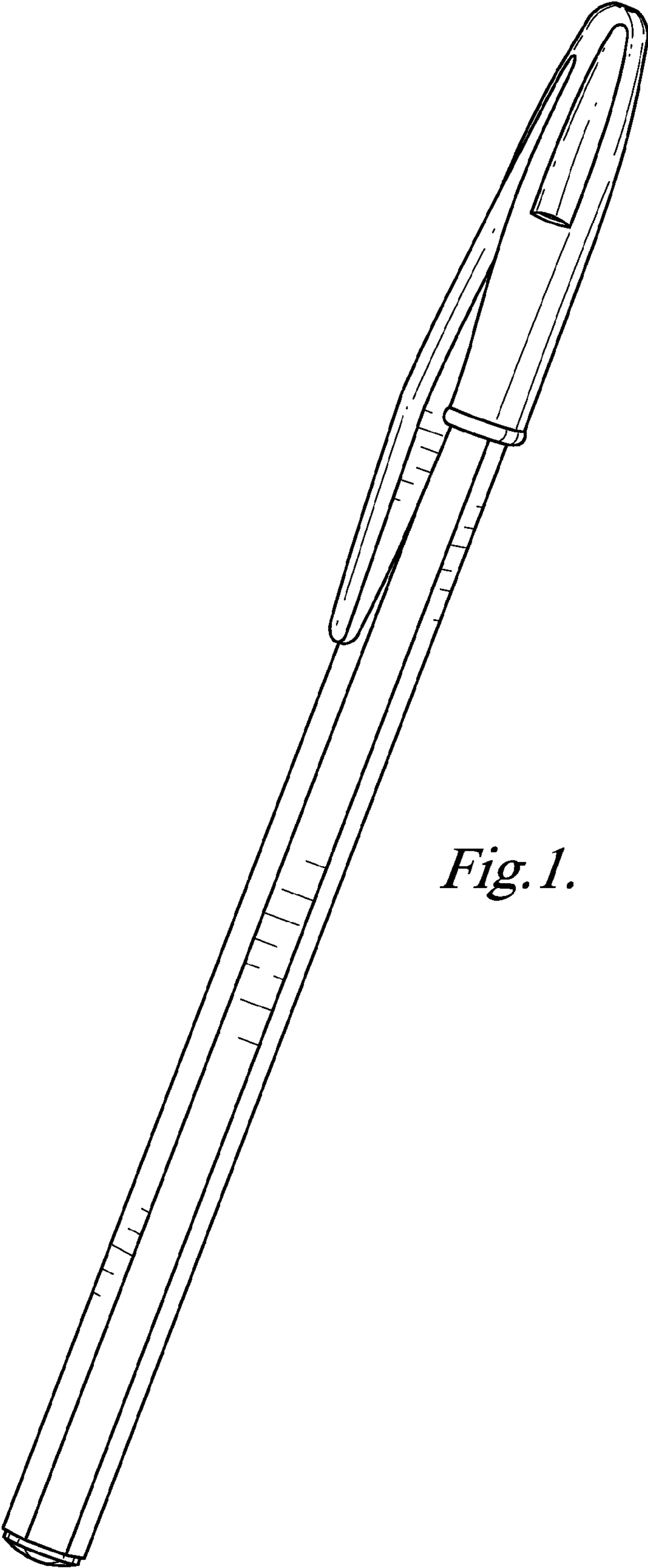


Fig. 1.

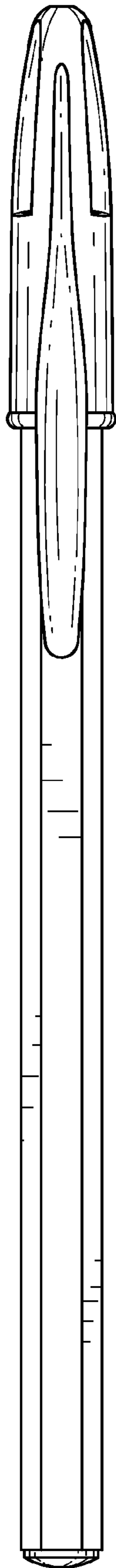


Fig.2.

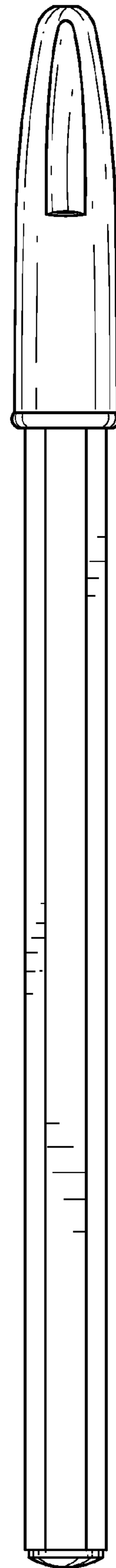


Fig.3.

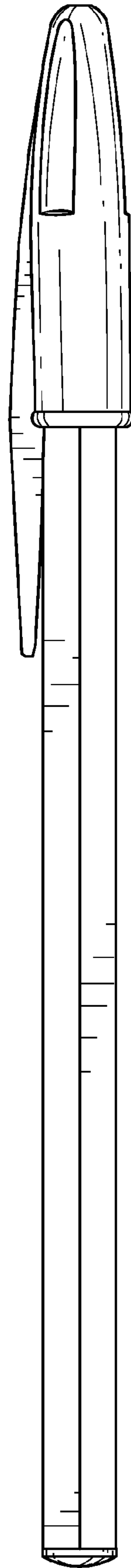


Fig.4.

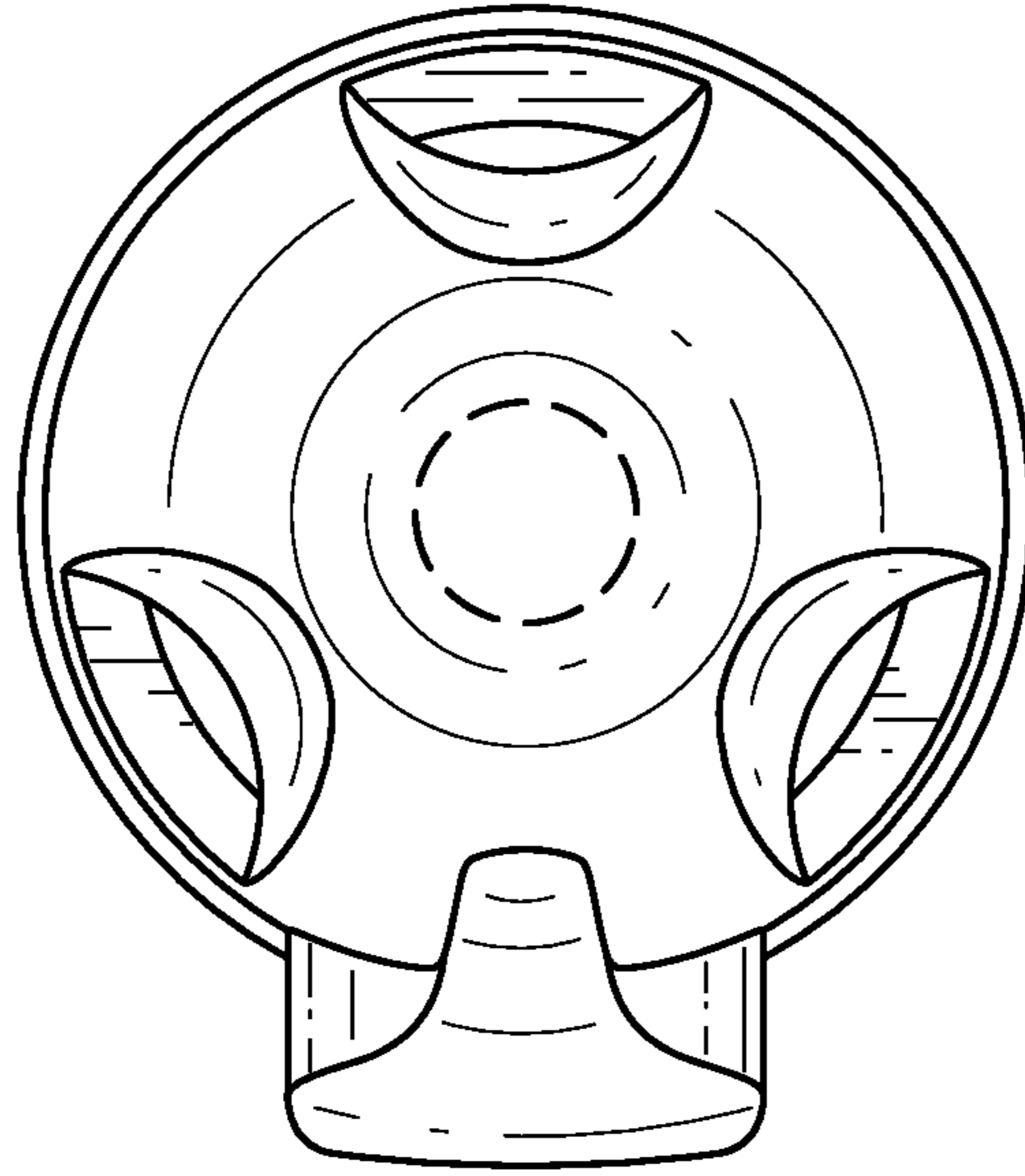


Fig. 5.

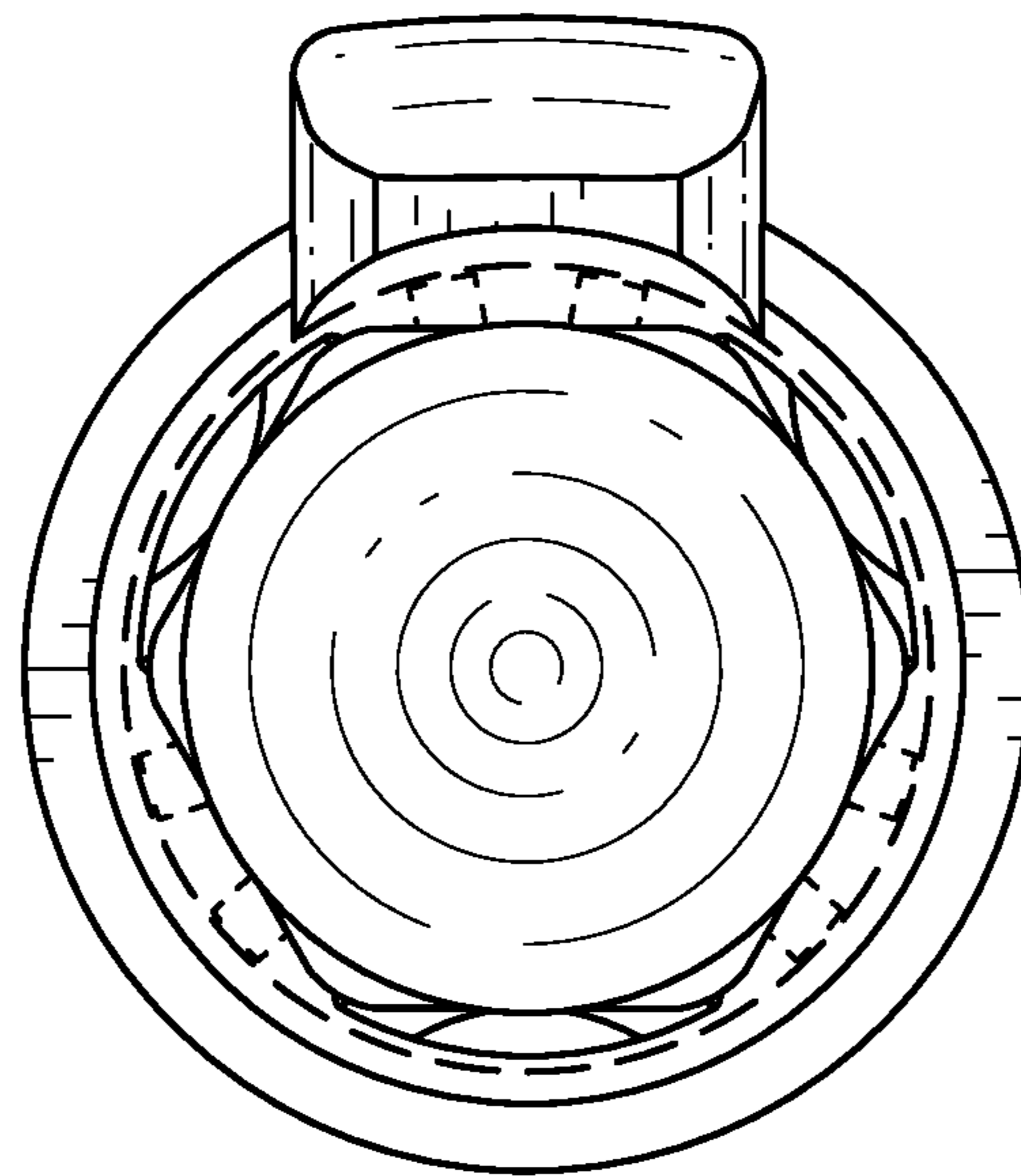


Fig. 6.