



US00D685844S

(12) **United States Design Patent**  
**Jin**

(10) **Patent No.:** **US D685,844 S**  
(45) **Date of Patent:** **\*\* Jul. 9, 2013**

(54) **MULTI-COLOR PEN**

(75) Inventor: **Renji Jin**, Ningbo (CN)

(73) Assignee: **Beifa Group Co., Ltd.**, Ningbo (CN)

(\*\*) Term: **14 Years**

(21) Appl. No.: **29/419,327**

(22) Filed: **Apr. 26, 2012**

(30) **Foreign Application Priority Data**

Oct. 27, 2011 (CN) ..... 2011 3 0386525

(51) **LOC (9) Cl.** ..... **19-06**

(52) **U.S. Cl.**  
USPC ..... **D19/36**

(58) **Field of Classification Search**  
USPC .. D14/411; D19/35, 36, 41-51, 54-58; 24/11  
24/F, 11 P, 11 R; 401/52, 99-109, 192, 195,  
401/196

See application file for complete search history.

(56) **References Cited**

**U.S. PATENT DOCUMENTS**

2,354,402	A *	7/1944	Petrucione et al.	.....	206/225
3,260,242	A *	7/1966	Liguori	.....	401/31
D205,645	S	8/1966	Lovejoy		
D301,487	S *	6/1989	Audet	.....	D19/41
D321,720	S *	11/1991	Sakurada	.....	D19/51
D327,703	S *	7/1992	Katami	.....	D19/36
D353,619	S	12/1994	Kneller		
D356,598	S	3/1995	Thompson		
D395,799	S *	7/1998	Lowther	.....	D7/635
D408,854	S	4/1999	Katami		

D411,858	S *	7/1999	Katami	.....	D19/51
D501,031	S *	1/2005	Lecce	.....	D19/51
D502,503	S	3/2005	Kimura		
6,899,482	B2 *	5/2005	Katami	.....	401/31
D575,338	S	8/2008	Shimizu		
D593,602	S *	6/2009	Katami et al.	.....	D19/36
D598,954	S *	8/2009	Wang et al.	.....	D19/49
D611,537	S *	3/2010	Rolion et al.	.....	D19/50

**OTHER PUBLICATIONS**

Jin, R., "Pen," U.S. Appl. No. 29/419,330, filed Apr. 26, 2012.  
Jin, R., "Multi-Color Pen," U.S. Appl. No. 29/420,290, filed May 7, 2012.  
Yuan, F., "Writing Instrument," U.S. Appl. No. 29/400,016, filed Aug. 22, 2011.

\* cited by examiner

*Primary Examiner* — Elizabeth Albert

(74) *Attorney, Agent, or Firm* — Christensen O'Connor Johnson Kindness PLLC

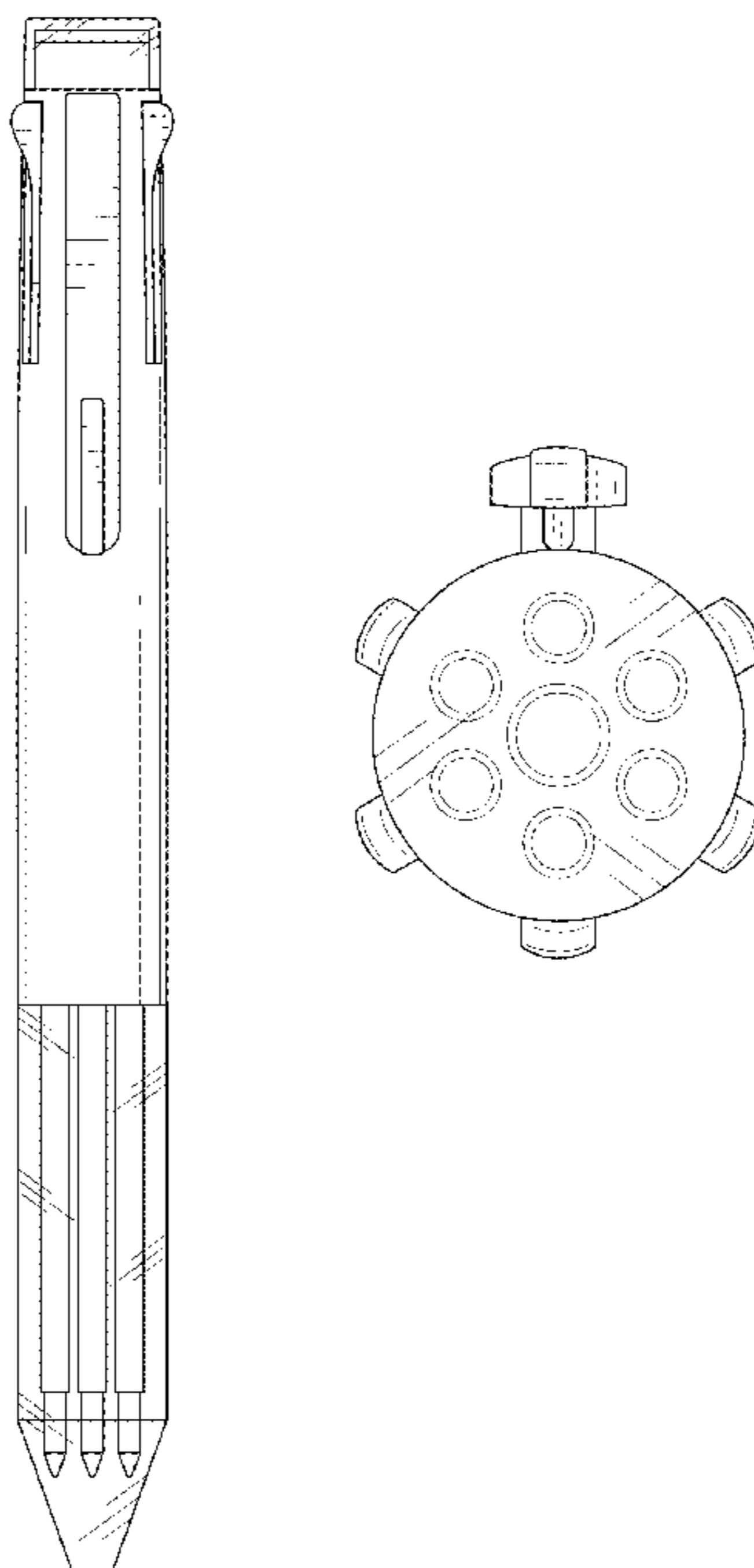
(57) **CLAIM**

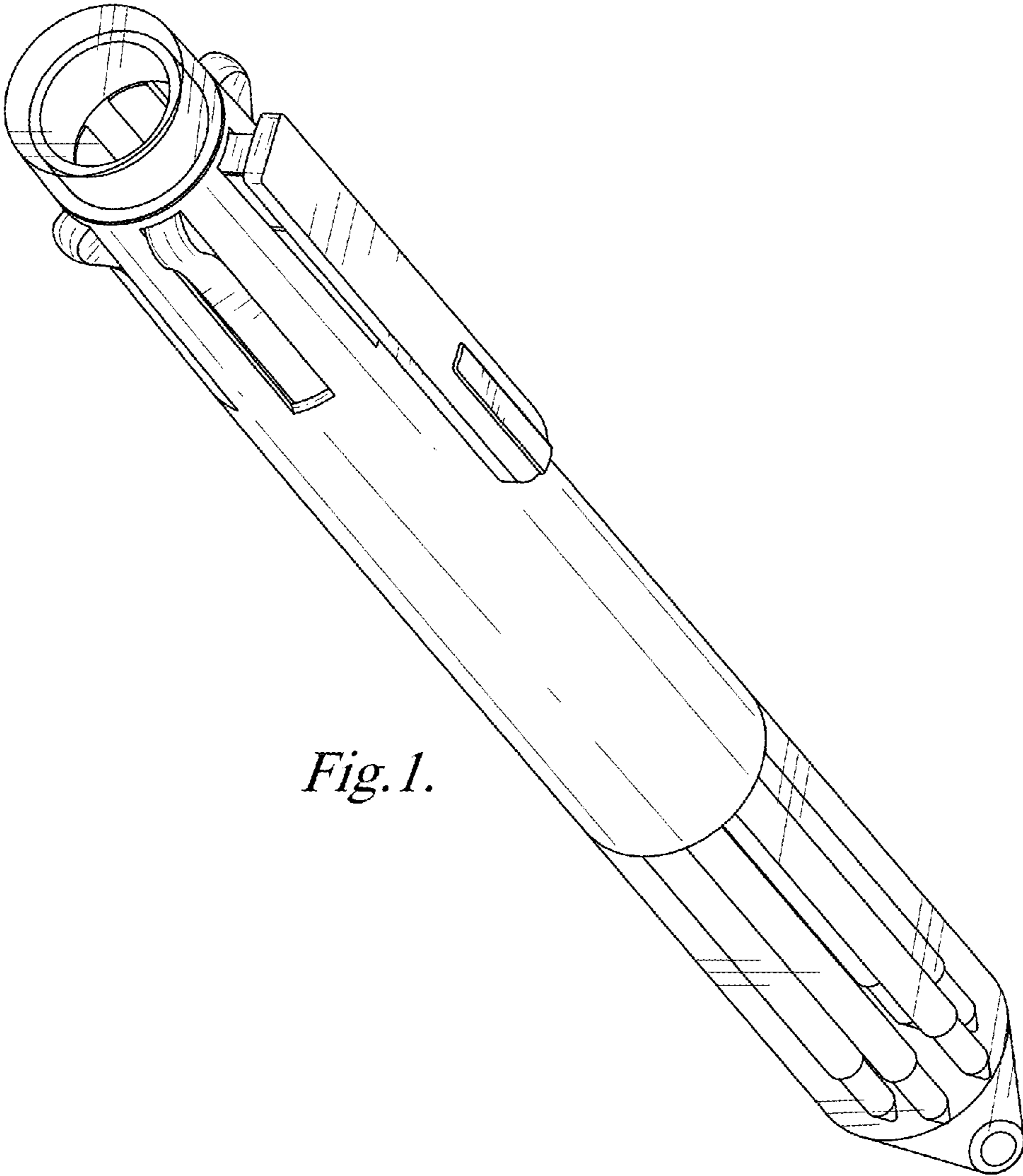
The ornamental design for a multi-color pen, as shown and described.

**DESCRIPTION**

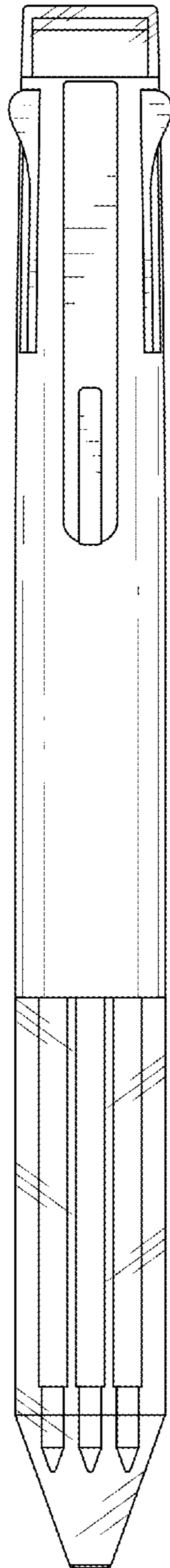
FIG. 1 is an upper front left perspective view of a multi-color pen showing my new design;  
FIG. 2 is a front elevation view thereof;  
FIG. 3 is a rear elevation view thereof;  
FIG. 4 is a right side elevation view thereof, with the left side elevation view being a mirror image of the right side elevation view;  
FIG. 5 is an enlarged top plan view thereof; and,  
FIG. 6 is an enlarged bottom plan view thereof.

**1 Claim, 3 Drawing Sheets**

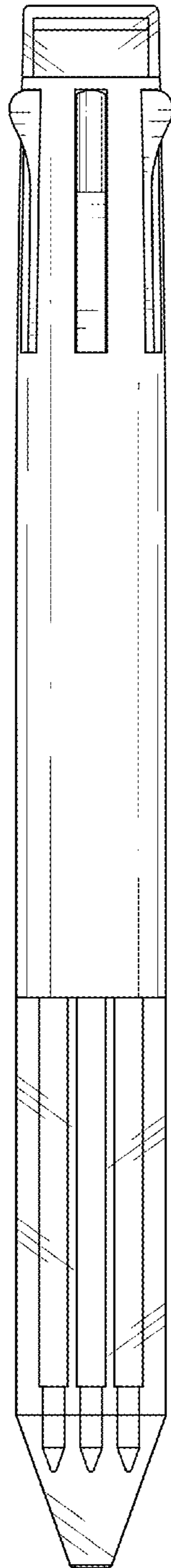




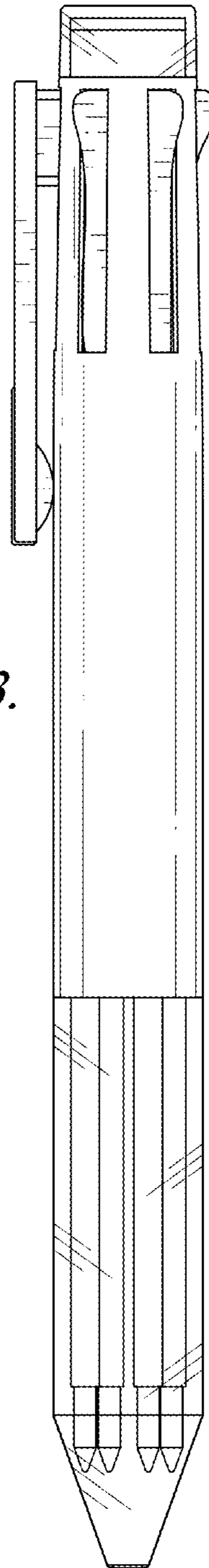
*Fig. 1.*



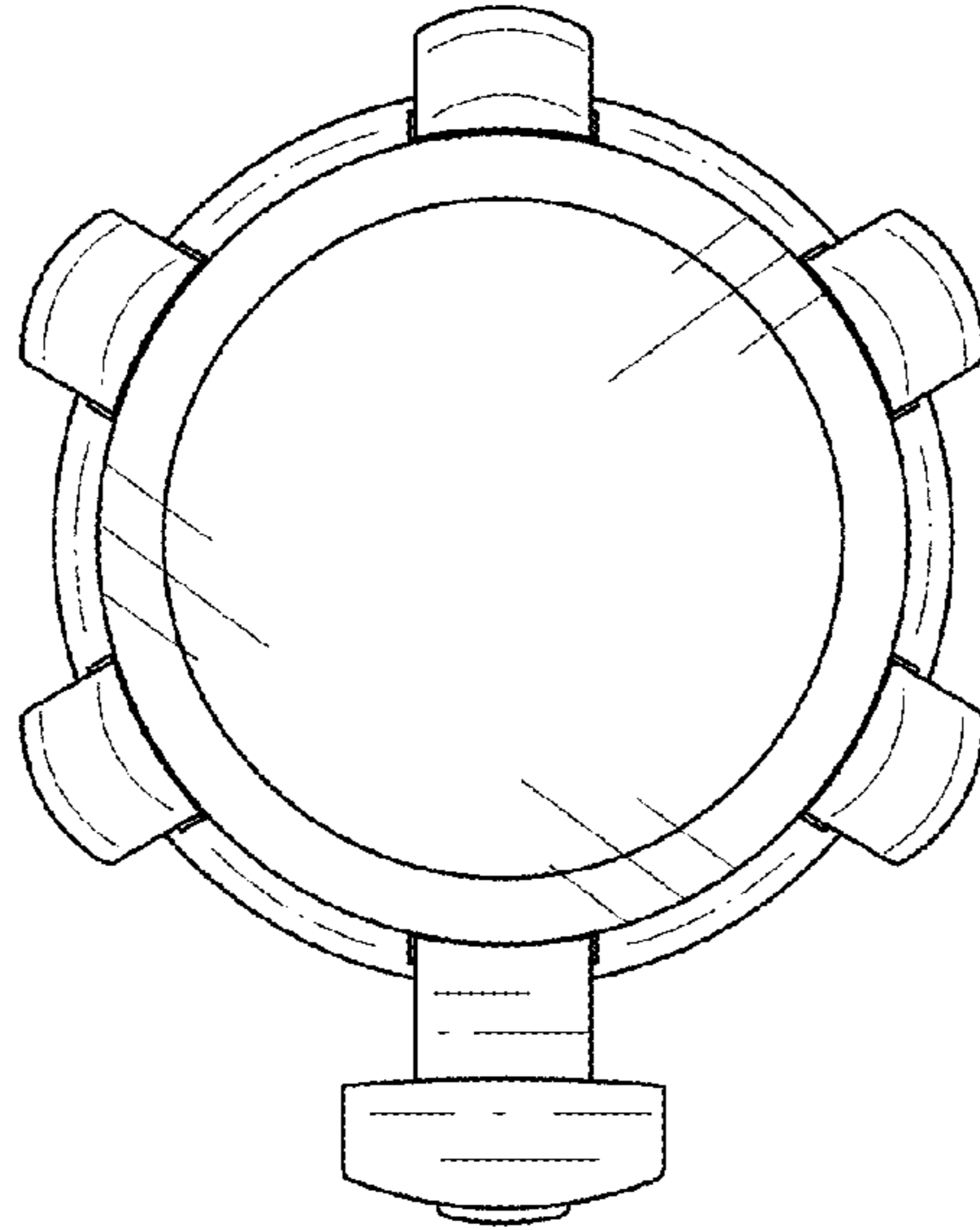
*Fig. 2.*



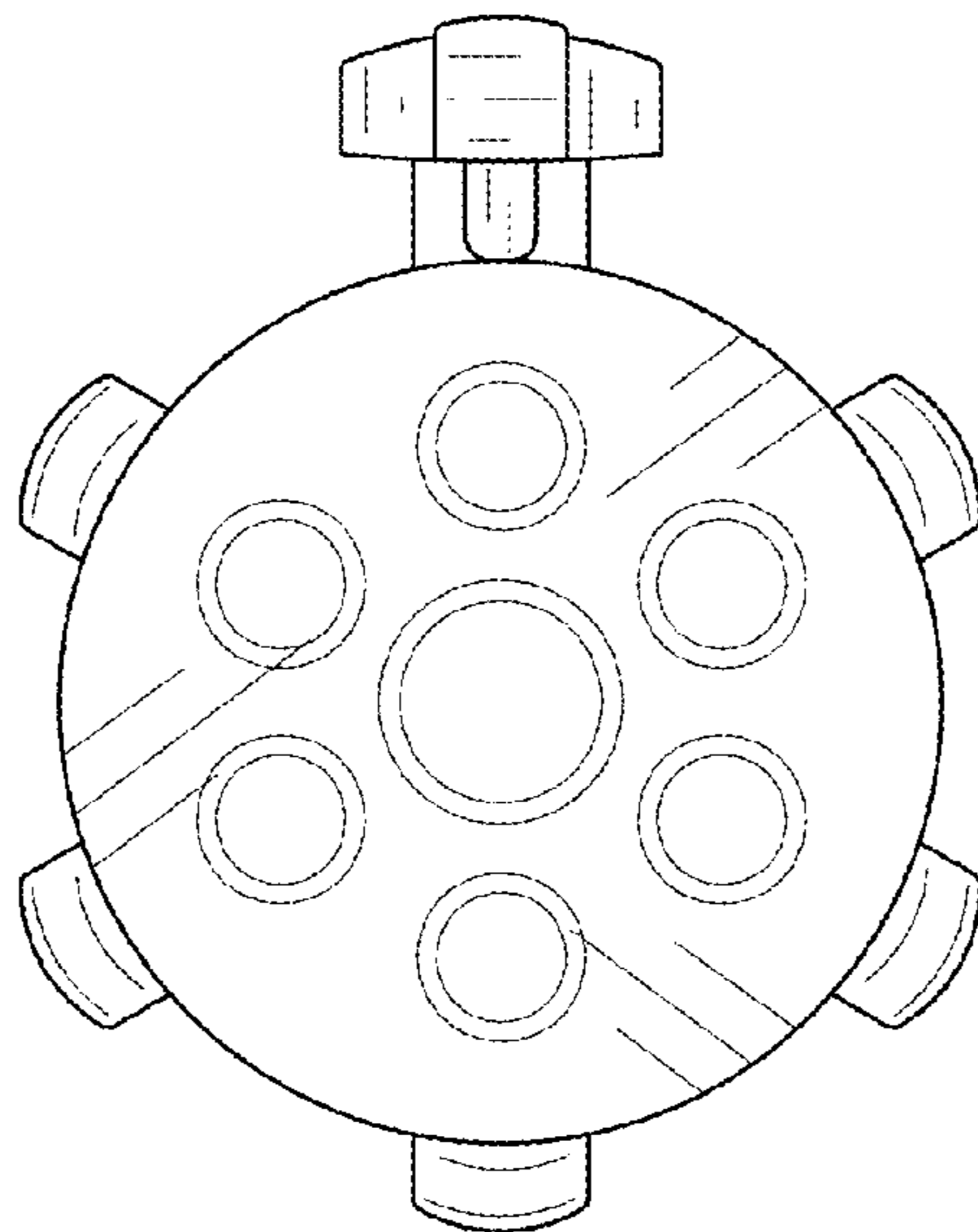
*Fig. 3.*



*Fig. 4.*



*Fig. 5.*



*Fig. 6.*