



US00D685843S

(12) **United States Design Patent**  
**Glass et al.**

(10) **Patent No.:** **US D685,843 S**

(45) **Date of Patent:** **\*\* Jul. 9, 2013**

(54) **ENVELOPE**

(71) Applicants: **Brett R. Glass**, Overland Park, KS (US);  
**Nicole E. Glass**, Overland Park, KS (US)

(72) Inventors: **Brett R. Glass**, Overland Park, KS (US);  
**Nicole E. Glass**, Overland Park, KS (US)

(73) Assignee: **Gift Card Impressions, LLC**, Kansas  
City, MO (US)

(\*\*) Term: **14 Years**

(21) Appl. No.: **29/438,815**

(22) Filed: **Dec. 4, 2012**

(51) **LOC (9) Cl.** ..... **19-01**

(52) **U.S. Cl.**  
USPC ..... **D19/3**

(58) **Field of Classification Search**  
USPC ..... D19/1-8, 75, 86, 100; 229/67.4,  
229/928, 307, 92; 206/449, 424, 308.1, 308.3,  
206/309, 313; 462/64-65; D20/27, 22, 40;  
40/672, 124.01-124.15; D3/303, 227, 20;  
383/61.1, 84; 283/72, 74-75, 103, 105-106,  
283/116-117; D9/433

See application file for complete search history.

(56) **References Cited**

**U.S. PATENT DOCUMENTS**

D238,574 S *	1/1976	Watson	.....	D19/3
D285,454 S *	9/1986	Paulk	.....	D19/3
D295,536 S *	5/1988	Forbes, Jr.	.....	D19/3
D379,198 S *	5/1997	Dowda	.....	D19/3

D404,759 S *	1/1999	Larragain	.....	D19/3
D577,765 S *	9/2008	Taute	.....	D19/3
D590,440 S *	4/2009	Taute et al.	.....	D19/3
D661,349 S *	6/2012	Picard	.....	D19/3

\* cited by examiner

*Primary Examiner* — Caron D Veynar

*Assistant Examiner* — Abraham Bahta

(74) *Attorney, Agent, or Firm* — Polsinelli PC

(57) **CLAIM**

The ornamental design for an envelope, as shown and described.

**DESCRIPTION**

FIG. 1 is a perspective view of an envelope according to an embodiment of the invention shown not folded and in an open disposition;

FIG. 2 is a front elevation view of the envelope of FIG. 1;

FIG. 3 is a rear elevation view thereof;

FIG. 4 is a right elevation view thereof;

FIG. 5 is a left elevation view thereof;

FIG. 6 is a top plan view thereof;

FIG. 7 is a bottom plan view thereof;

FIG. 8 is a perspective view of the envelope of FIGS. 1 through 7 shown folded and in a closed disposition;

FIG. 9 is a front elevation view of the envelope of FIG. 8;

FIG. 10 is a rear elevation view thereof;

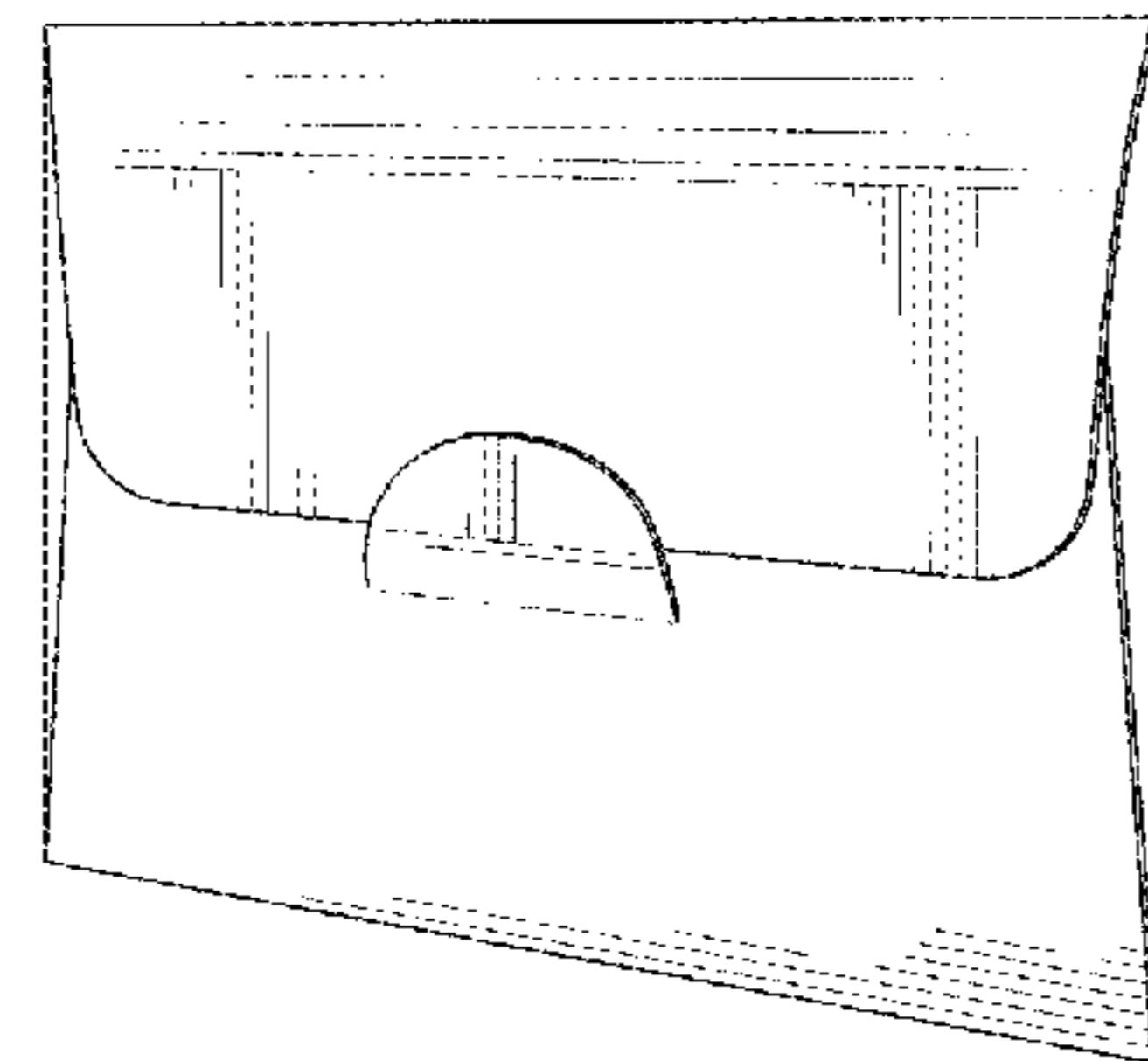
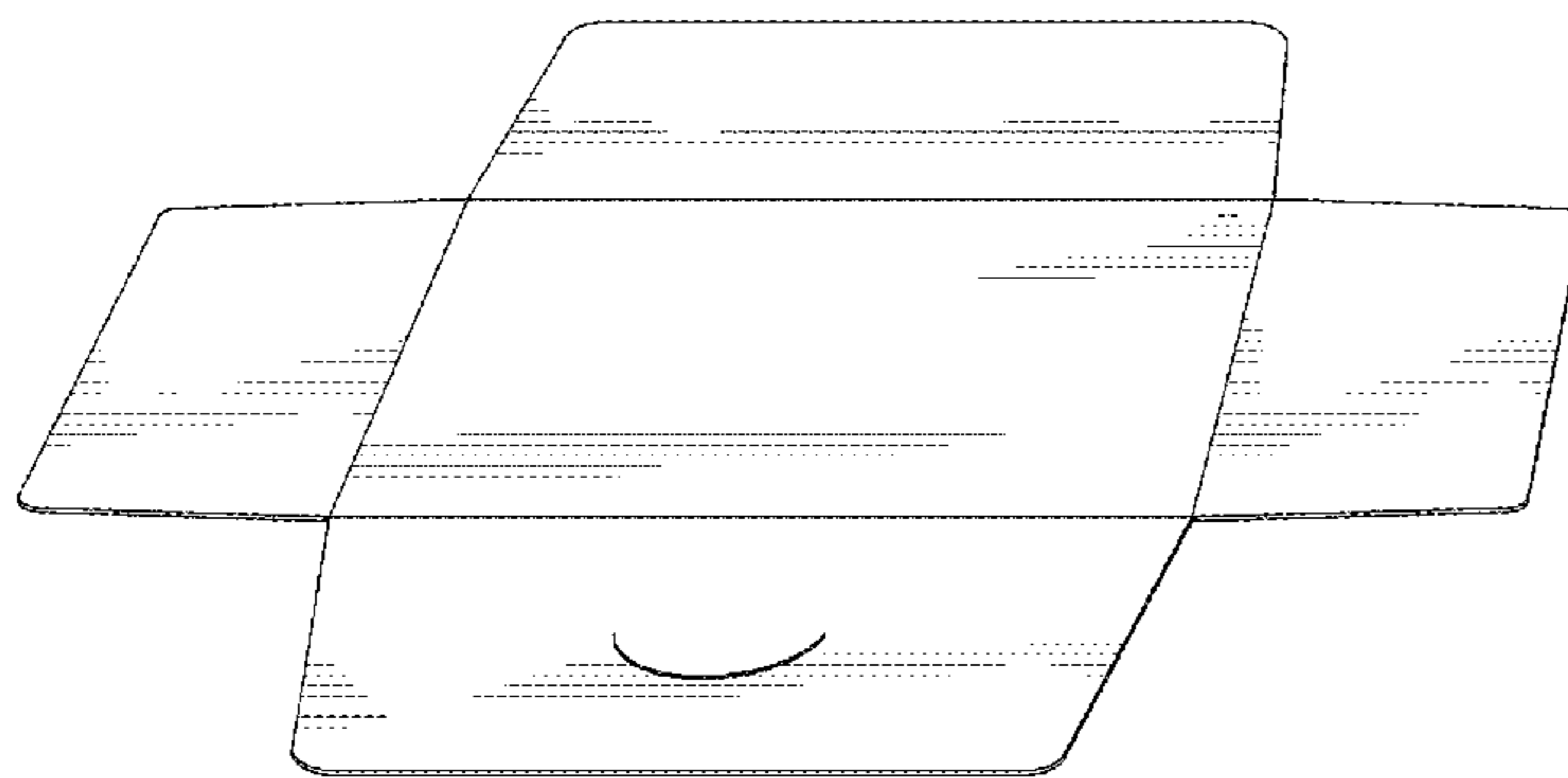
FIG. 11 is a left elevation view thereof;

FIG. 12 is a right elevation view thereof;

FIG. 13 is a top plan view thereof; and,

FIG. 14 is a bottom plan view thereof.

**1 Claim, 9 Drawing Sheets**



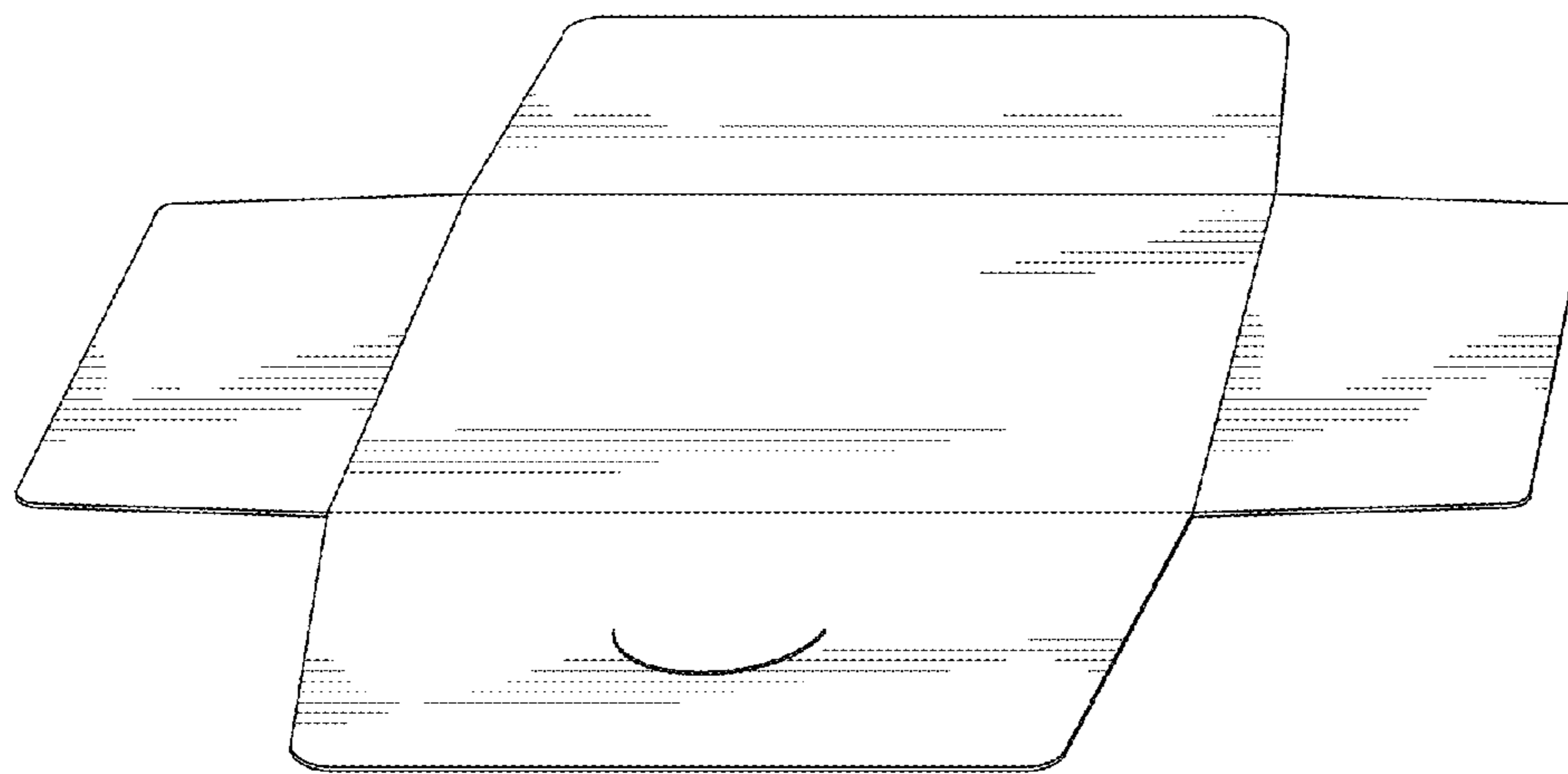


FIG. 1

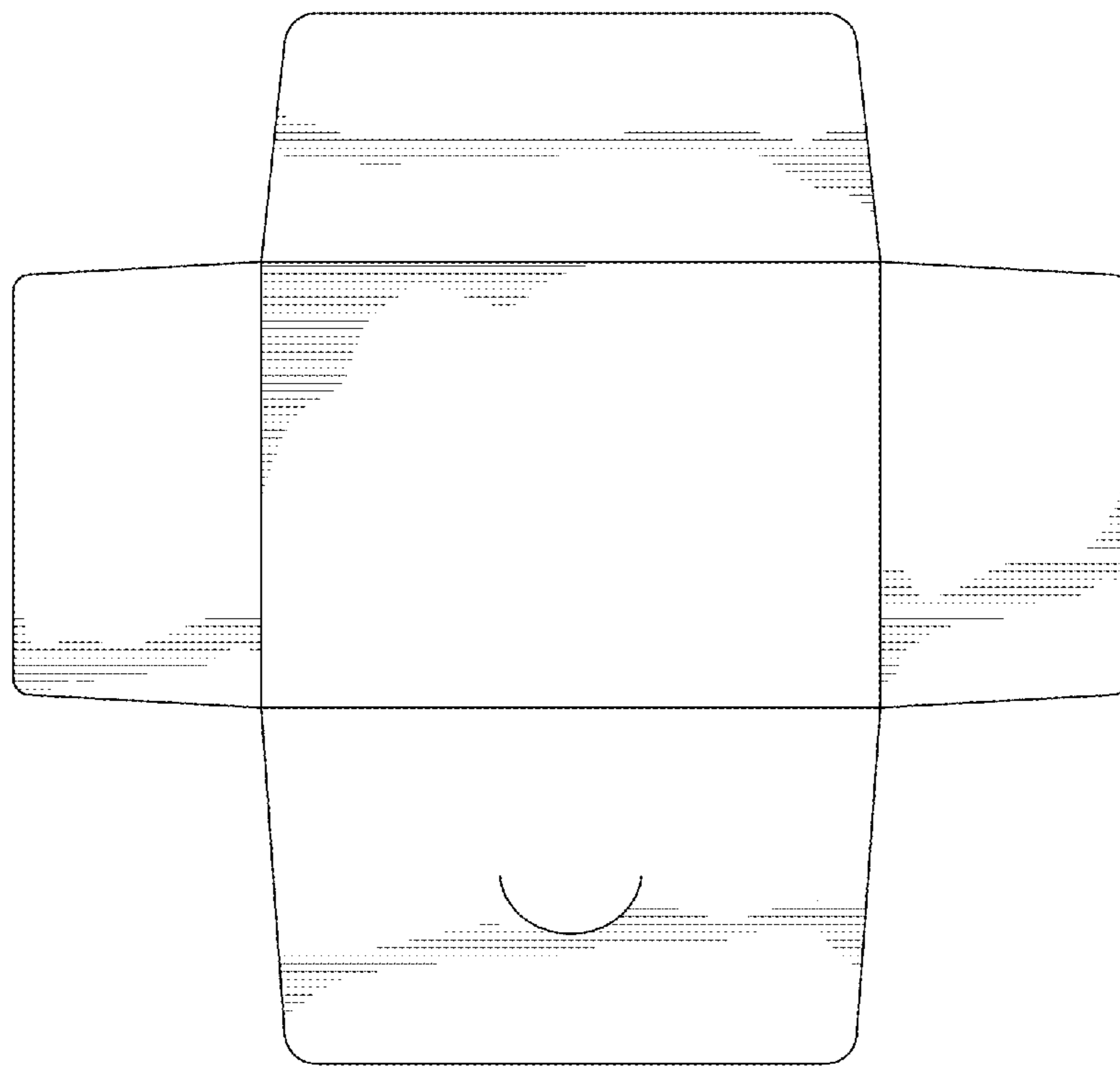


FIG.2

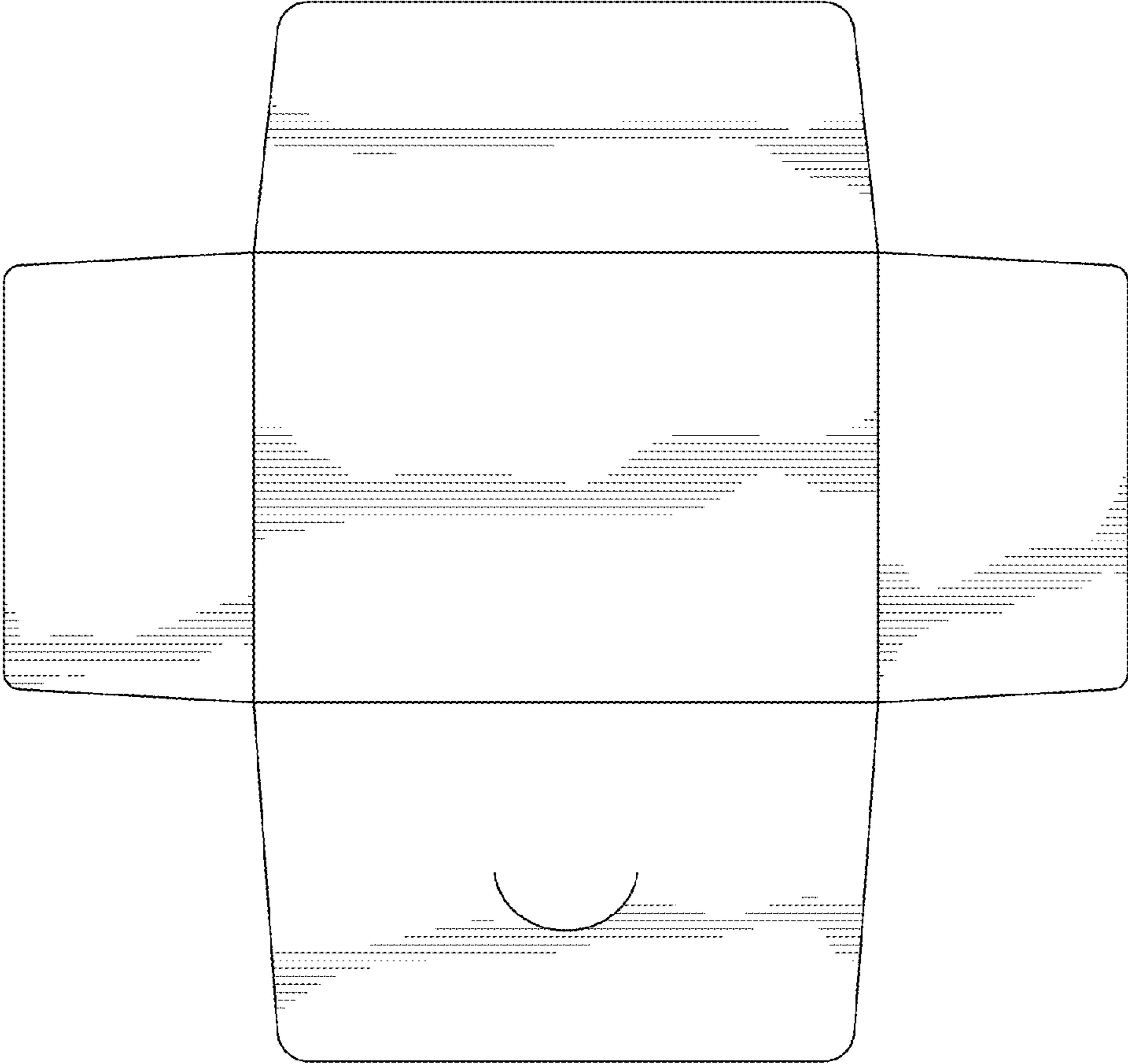


FIG.3



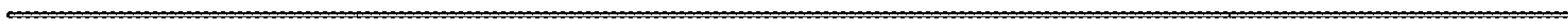
FIG. 4



FIG. 5



**FIG.6**



**FIG.7**

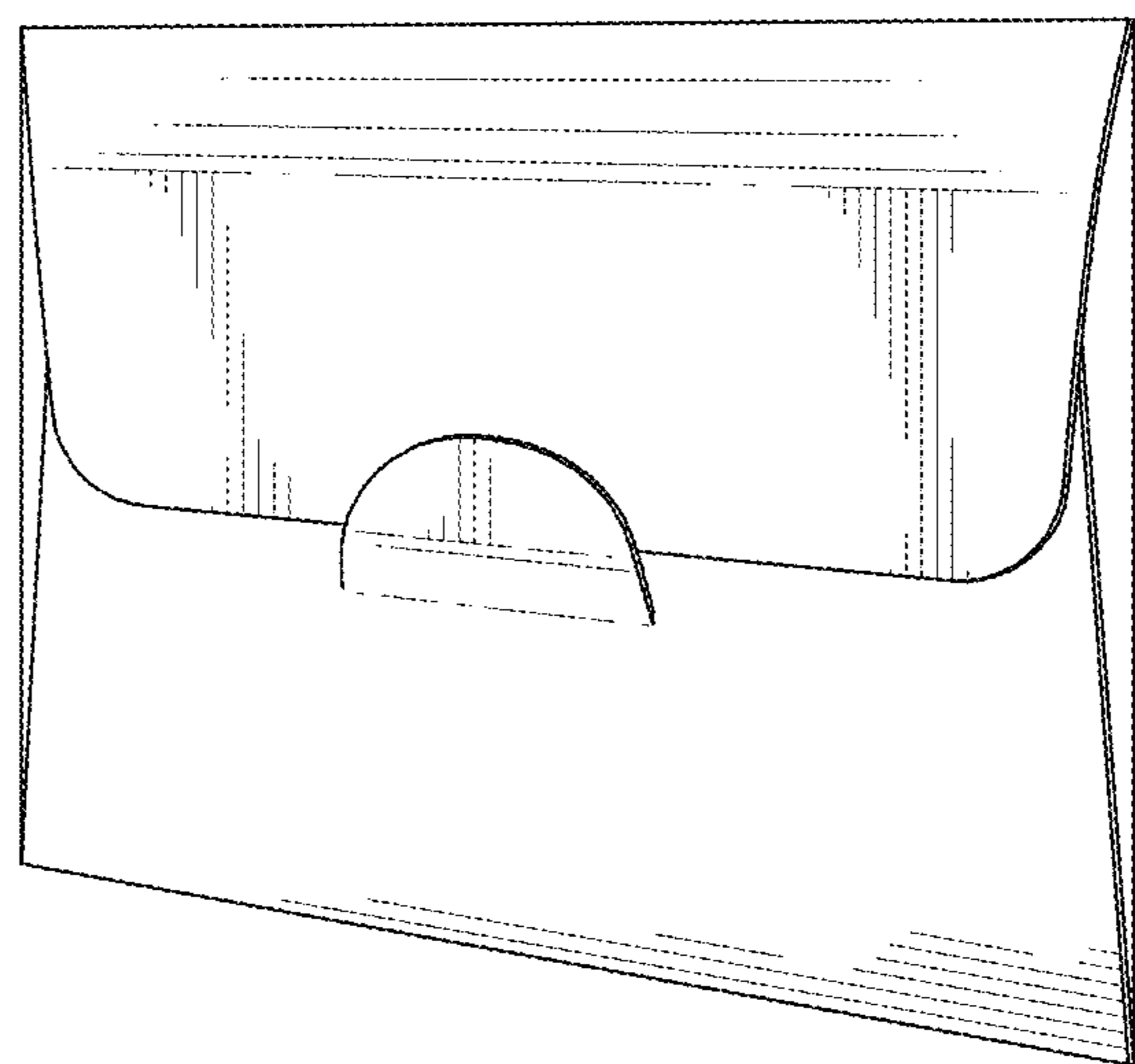


FIG.8

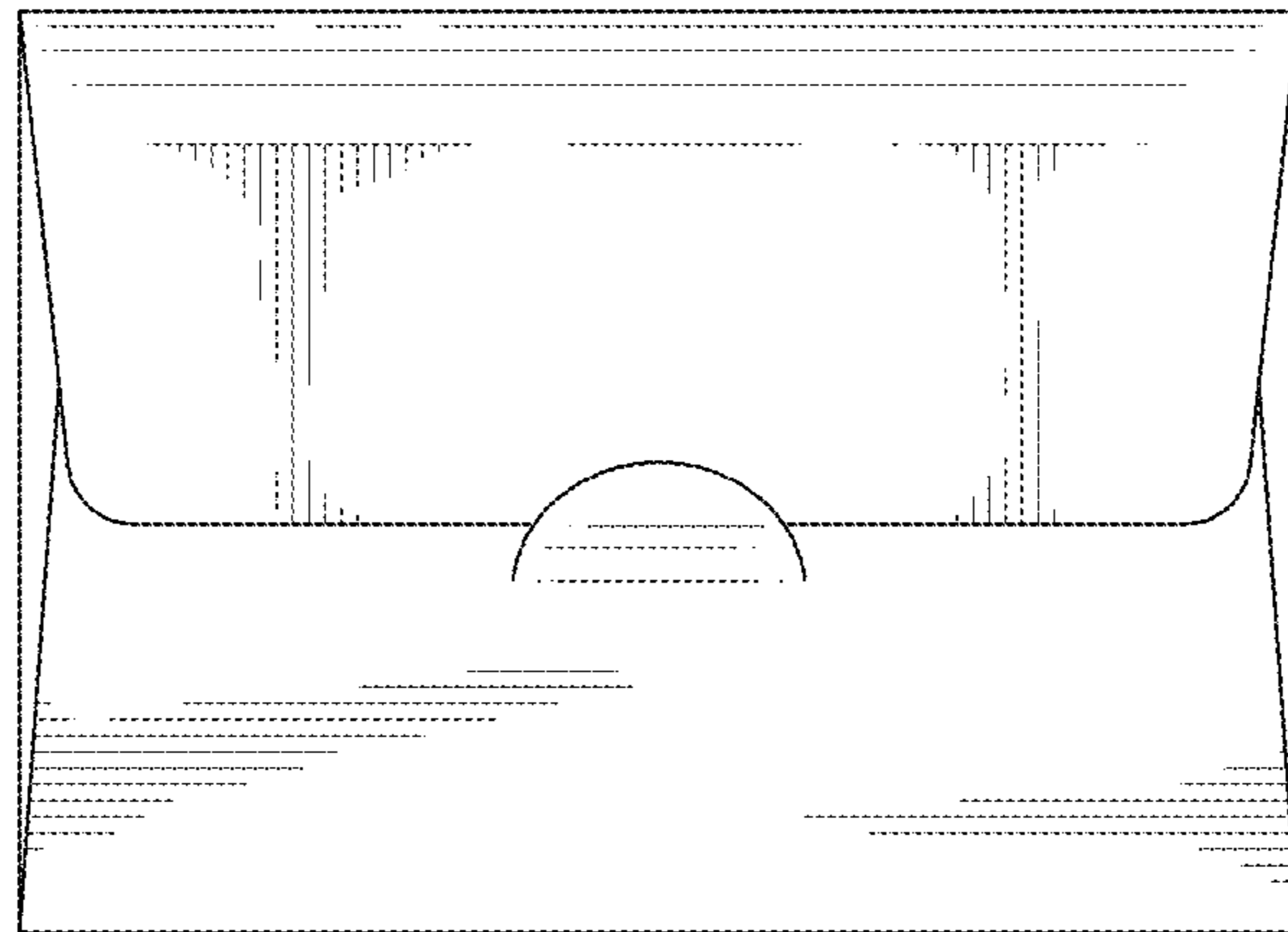


FIG.9



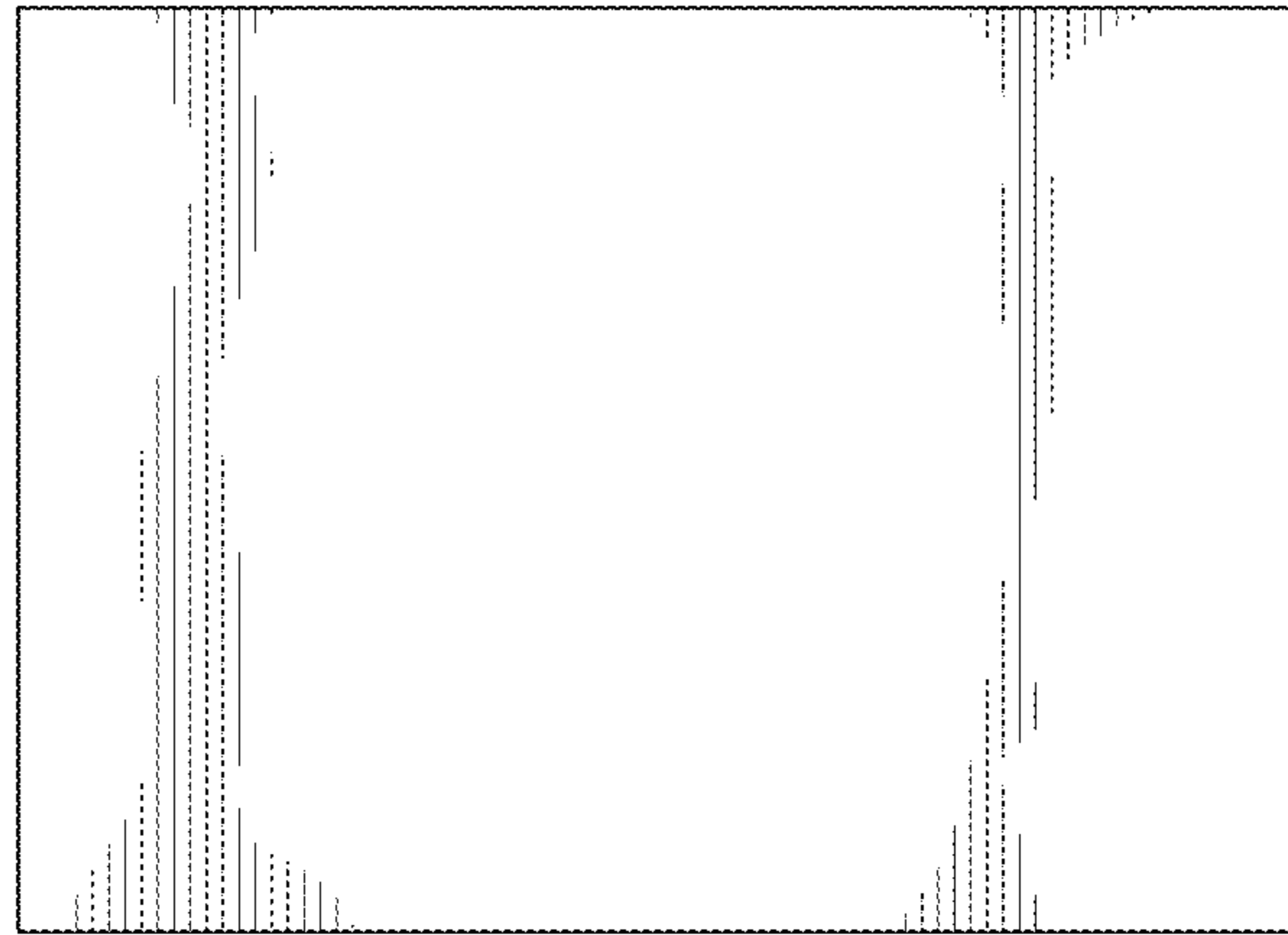


FIG. 10



FIG. 11



FIG. 12

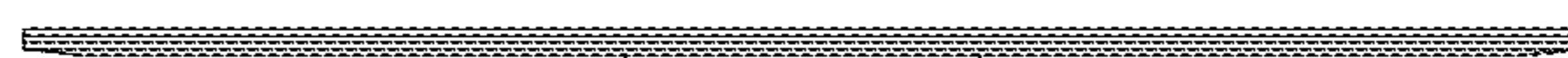


FIG. 13

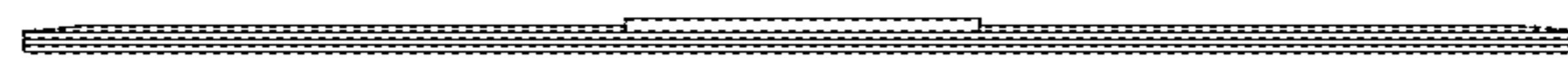


FIG. 14