



US00D685841S

(12) **United States Design Patent**
Okino et al.

(10) **Patent No.:** **US D685,841 S**
(45) **Date of Patent:** **** Jul. 9, 2013**

(54) **TONER SUPPLYING CARTRIDGE**
(75) Inventors: **Ayatomo Okino**, Moriya (JP); **Manabu Jimba**, Toride (JP); **Katsuya Murakami**, Toride (JP); **Toshiaki Nagashima**, Moriya (JP); **Fumio Tazawa**, Kashiwa (JP)

D422,303 S 4/2000 Takeuchi et al.
D442,986 S * 5/2001 Tsuji et al. D18/43
D448,795 S 10/2001 Kusanagi et al.
D532,037 S * 11/2006 Tsuda et al. D18/43
D607,045 S * 12/2009 Kurenuma et al. D18/43
D615,584 S 5/2010 Jimba et al.
D622,759 S * 8/2010 Yoshida et al. D18/43
D636,435 S * 4/2011 Naito et al. D18/43
D655,748 S * 3/2012 Takami D18/43
D656,181 S * 3/2012 Kikuchi et al. D18/43

(73) Assignee: **Canon Kabushiki Kaisha**, Tokyo (JP)

* cited by examiner

(**) Term: **14 Years**

Primary Examiner — Garth Rademaker

(21) Appl. No.: **29/431,680**

(74) *Attorney, Agent, or Firm* — Fitzpatrick, Cella, Harper & Scinto

(22) Filed: **Sep. 10, 2012**

(30) **Foreign Application Priority Data**

Mar. 28, 2012 (JP) 2012-007110

(51) **LOC (9) Cl.** **16-03**

(52) **U.S. Cl.**
USPC **D18/43**

(58) **Field of Classification Search**
USPC D14/471; D18/12, 36, 40, 43, 44,
D18/56; 222/DIG. 1; 347/197, 222; 399/24–28,
399/107–112, 119, 121, 122, 222–224
See application file for complete search history.

(56) **References Cited**

U.S. PATENT DOCUMENTS

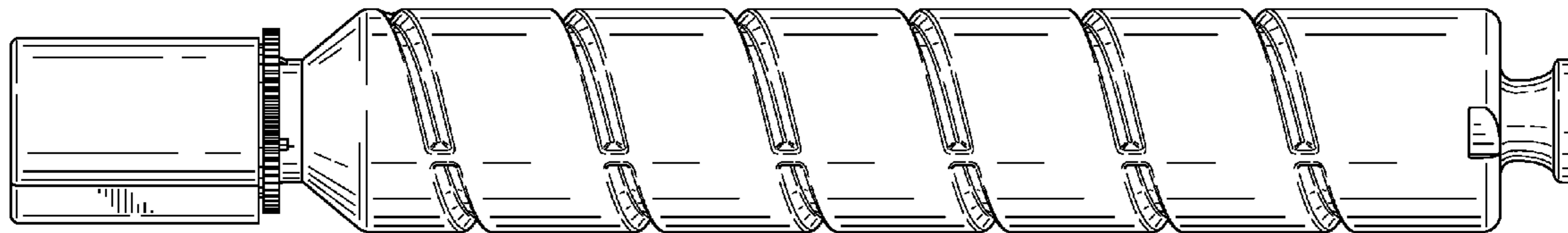
D376,614 S * 12/1996 Ichikawa et al. D18/43
D422,302 S 4/2000 Ohashi et al.

(57) **CLAIM**
The ornamental design for a toner supplying cartridge, as shown and described.

DESCRIPTION

FIG. 1 is a front view of a toner supplying cartridge showing our new design;
FIG. 2 is a rear view thereof;
FIG. 3 is a top plan view thereof;
FIG. 4 is a bottom plan view thereof;
FIG. 5 is a left side view thereof;
FIG. 6 is a right side view thereof; and,
FIG. 7 is a perspective view thereof.
The broken lines shown in the drawings illustrate portions of the toner supplying cartridge that form no part of the claimed design.

1 Claim, 4 Drawing Sheets



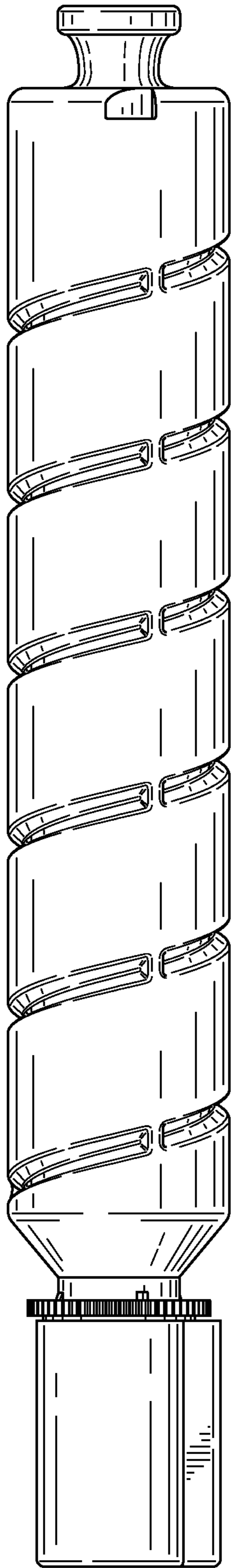


FIG. 1

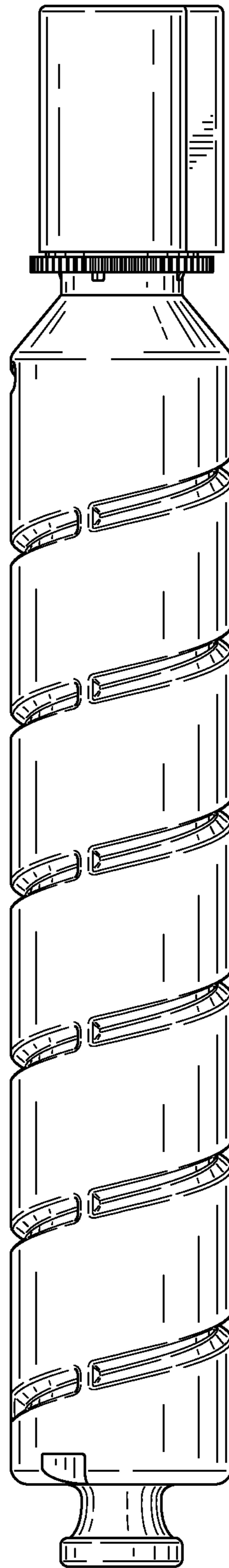


FIG. 2

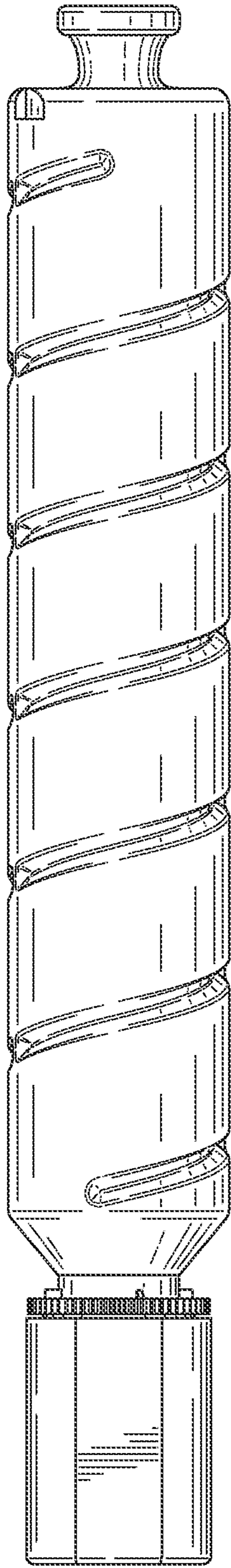


FIG. 3

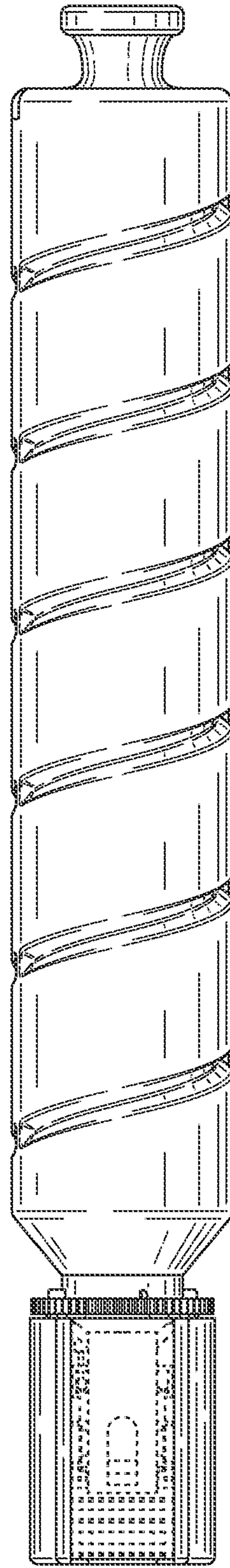


FIG. 4

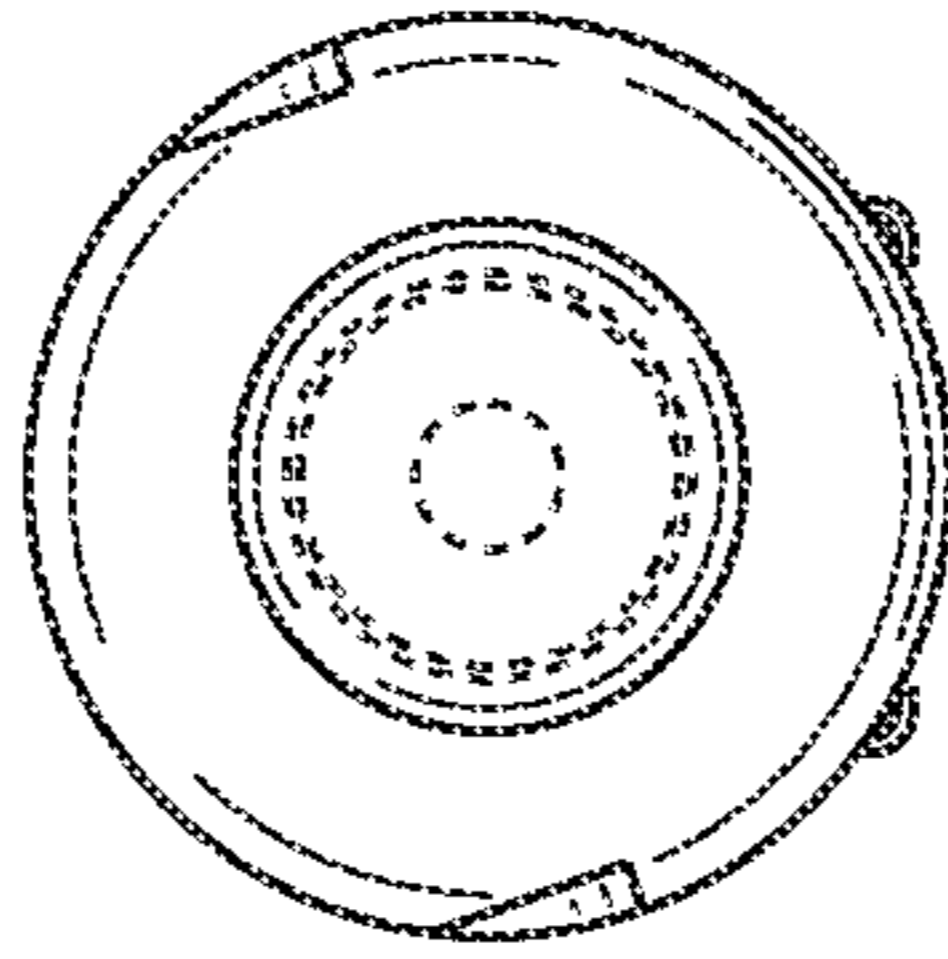


FIG. 6

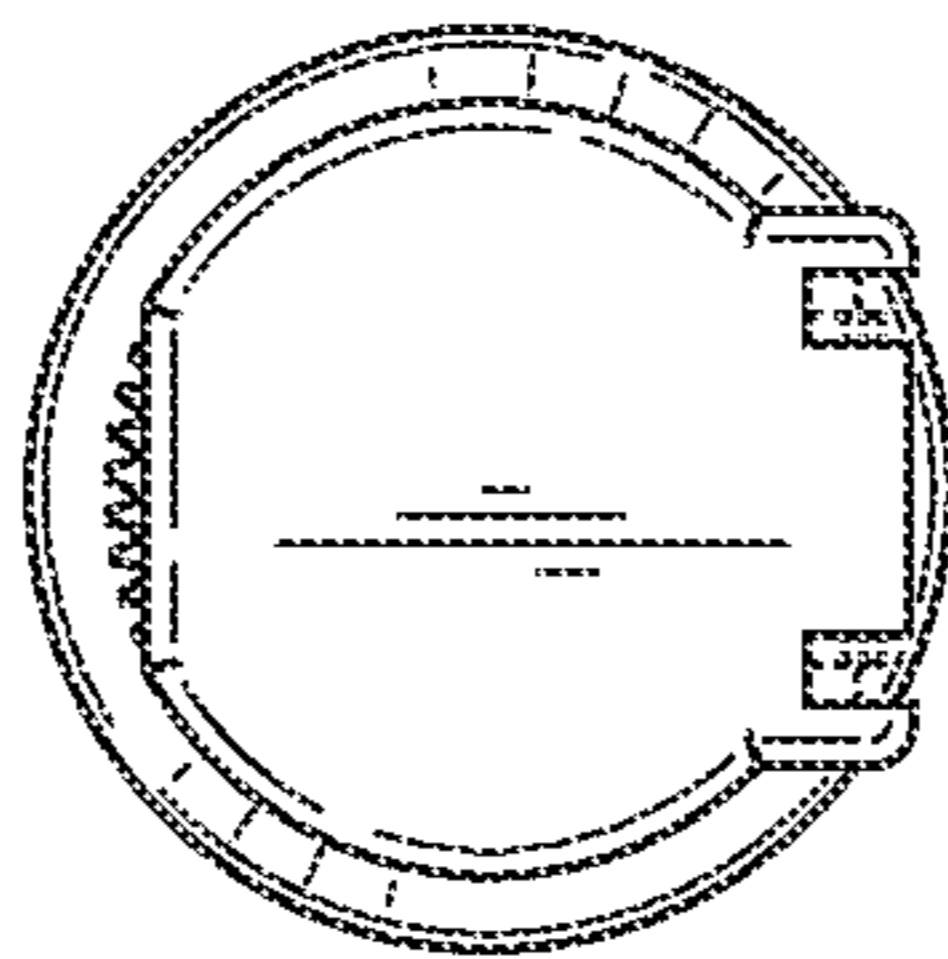


FIG. 5

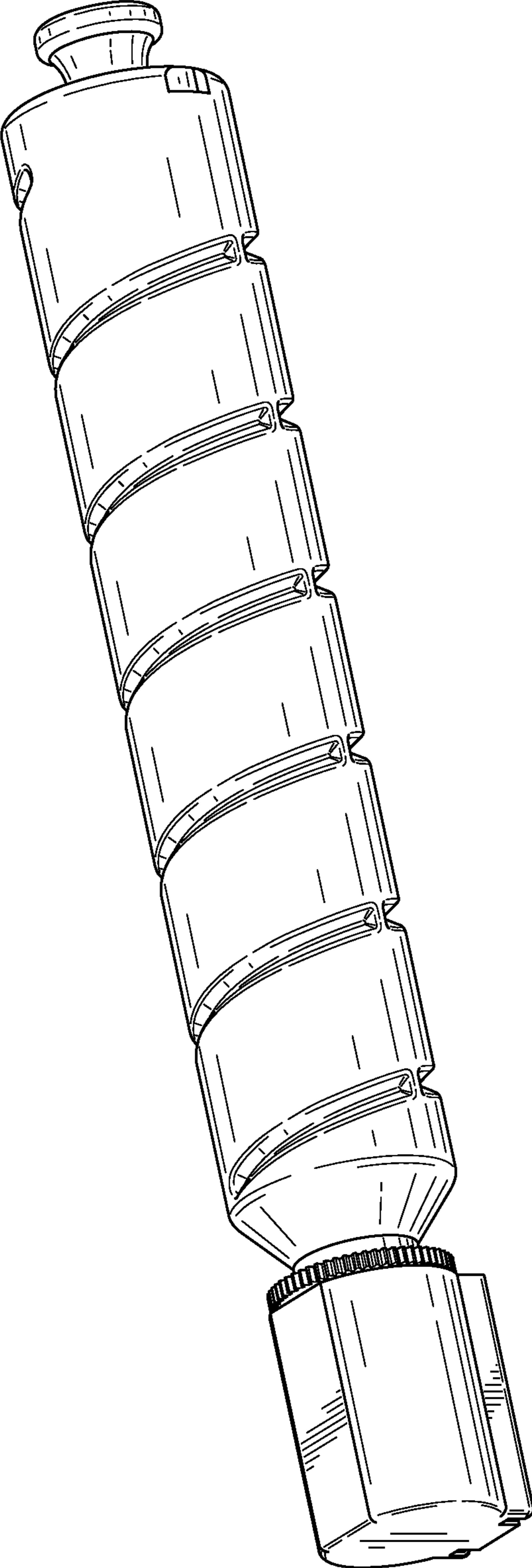


FIG. 7