

US00D685839S

(12) **United States Design Patent**
Pearson et al.

(10) **Patent No.:** **US D685,839 S**

(45) **Date of Patent:** **** Jul. 9, 2013**

(54) **MX GOGGLE**

7,810,174 B2 * 10/2010 Matera 2/441
D649,178 S * 11/2011 Moritz et al. D16/312
D649,577 S * 11/2011 Goodman et al. D16/312

(71) Applicants: **Kent D. Pearson**, Antelope, CA (US);
Melanie A. Pearson, Antelope, CA (US)

* cited by examiner

(72) Inventors: **Kent D. Pearson**, Antelope, CA (US);
Melanie A. Pearson, Antelope, CA (US)

Primary Examiner — Raphael Barkai

(74) *Attorney, Agent, or Firm* — Robert M. Ashen

(**) Term: **14 Years**

(57) **CLAIM**

The ornamental design for an MX goggle, as shown and described.

(21) Appl. No.: **29/442,220**

(22) Filed: **Jan. 7, 2013**

DESCRIPTION

(51) **LOC (9) Cl.** **16-06**

(52) **U.S. Cl.**
USPC **D16/312**

(58) **Field of Classification Search**
USPC D16/101, 300–342, 900; D29/109–110;
351/41, 44, 51–52, 62, 158, 92, 103–123,
351/140–153, 45–46; 2/426–432, 447–449,
2/441, 434–437, 13, 15; D21/483, 659–661;
D14/372

Related patents and applications owned by Applicants:
U.S. Design Pat. No. D60,184S
U.S. Design patent application for Snow Goggle Design
being filed concurrently with this application.
U.S. Utility patent application entitled “Goggles, Eyewear
and Marks with Adjustable Input Devices” filed on Jan. 6,
2013.

See application file for complete search history.

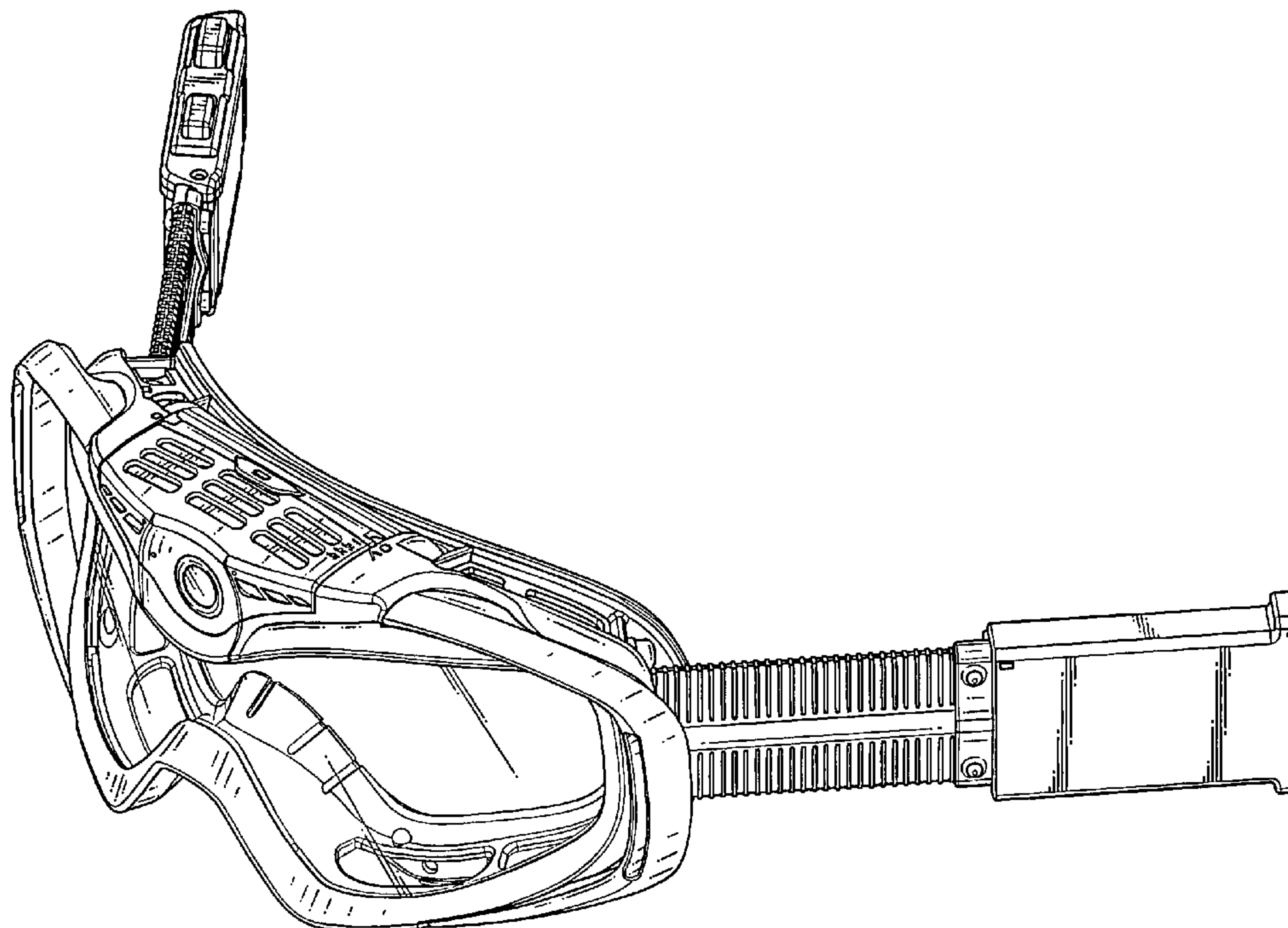
FIG. 1 is a front perspective view of an MX goggle showing
our present invention;
FIG. 2 is a top plan view of the MX goggle of FIG. 1.
FIG. 3 is a front elevational view of the MX goggle of FIG. 1.
FIG. 4 is a rear elevational view of the MX goggle of FIG. 1.
FIG. 5 is a left side elevational view of the MX goggle of FIG.
1.
FIG. 6 is a right side elevational view of the MX goggle of
FIG. 1; and,
FIG. 7 is a bottom plan view of the MX goggle of FIG. 1.

(56) **References Cited**

U.S. PATENT DOCUMENTS

3,395,406	A	*	8/1968	Smith	2/436
D510,378	S	*	10/2005	Dondero et al.	D16/312
D519,147	S	*	4/2006	Moritz et al.	D16/312
D525,666	S	*	7/2006	Yeung	D21/483
D544,900	S	*	6/2007	Li et al.	D16/312
D598,040	S	*	8/2009	Sheldon et al.	D16/312
D620,969	S	*	8/2010	Cyr	D16/312

1 Claim, 5 Drawing Sheets



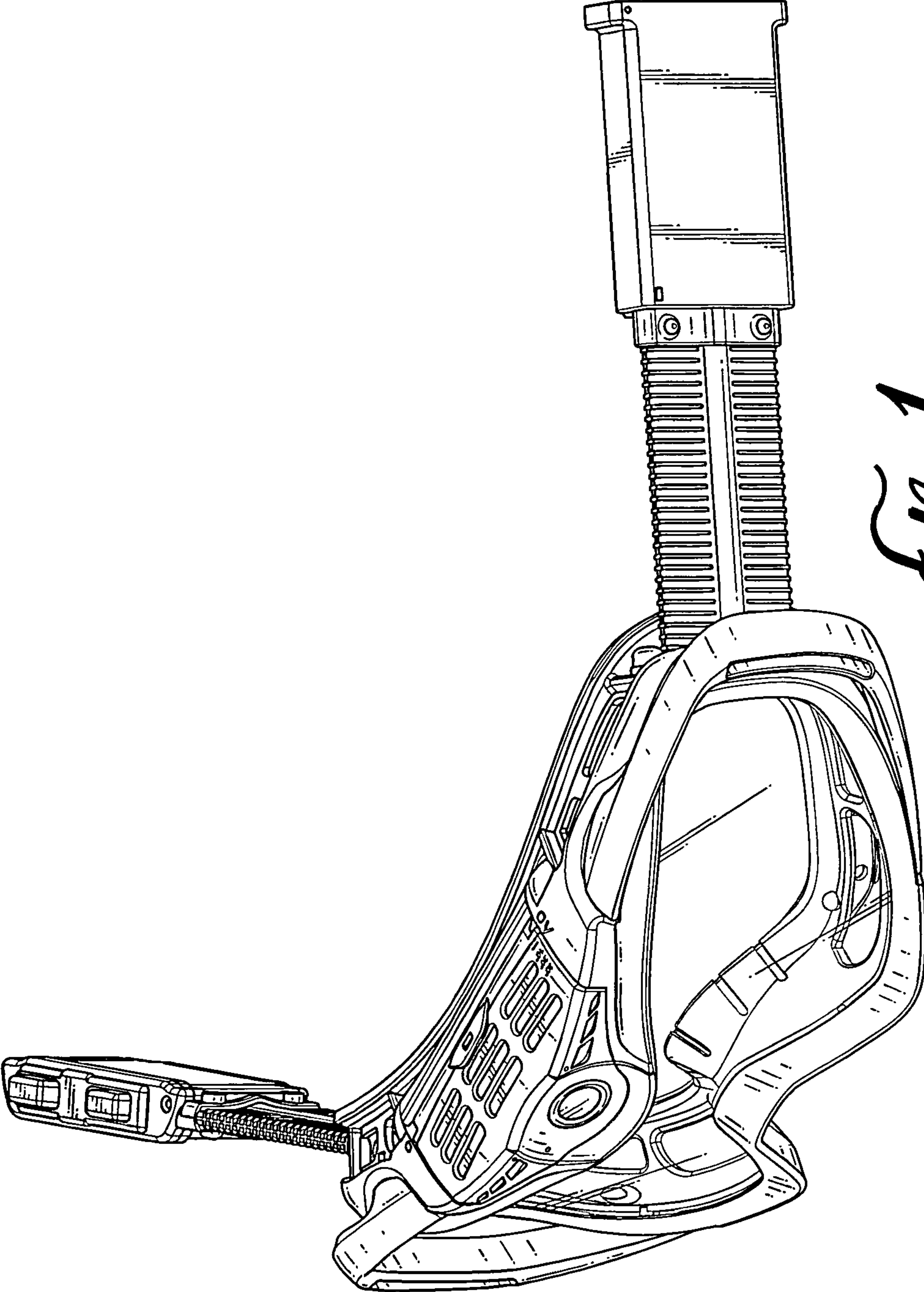


FIG. 1

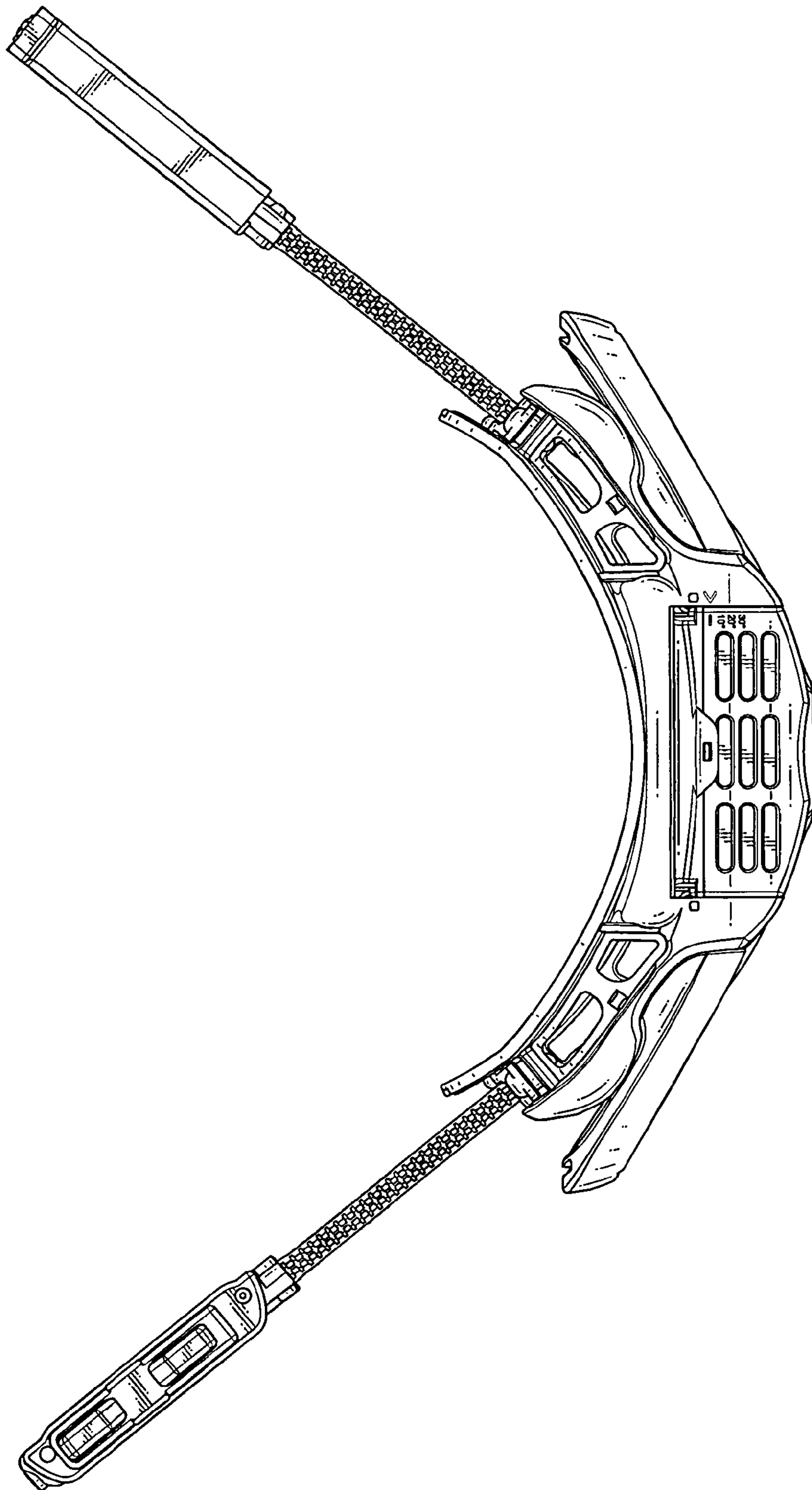


Fig. 2

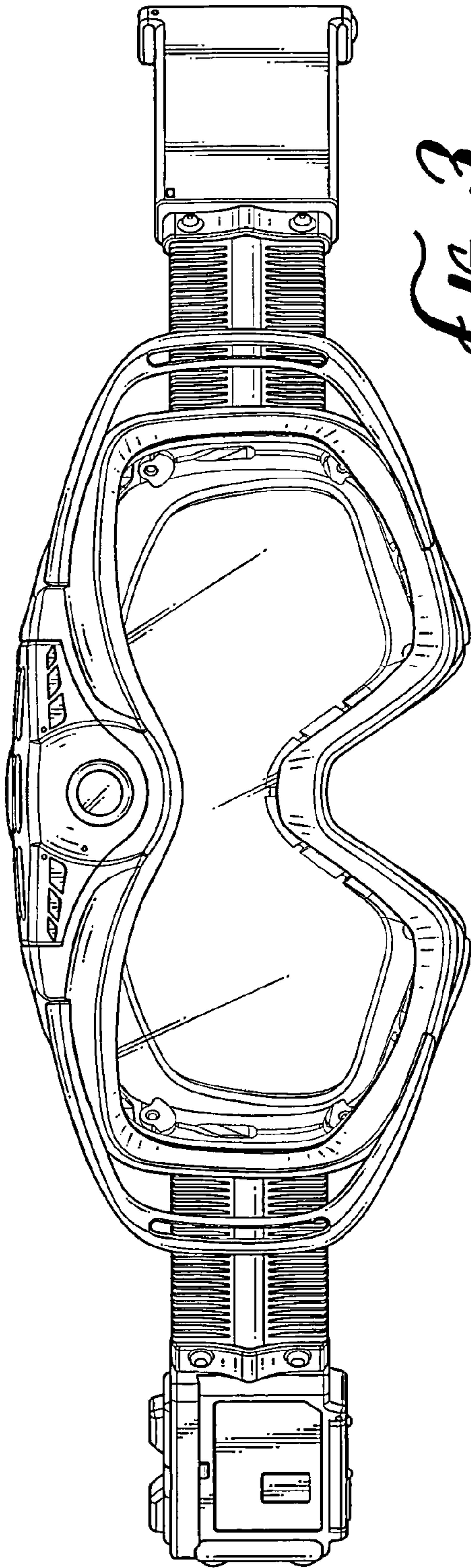


FIG. 3

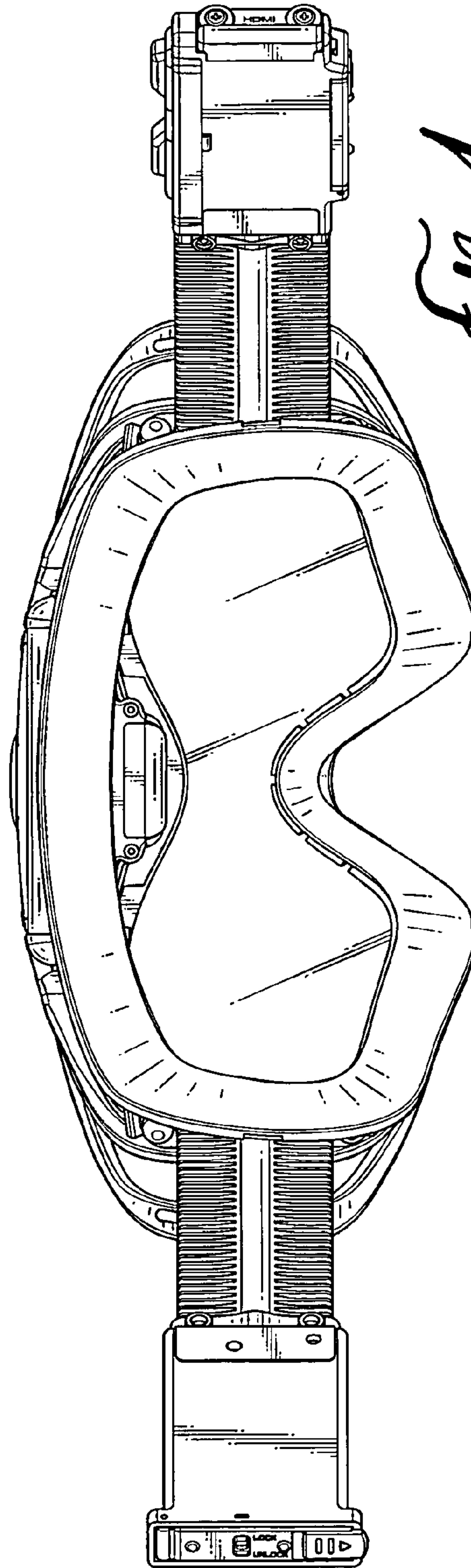


FIG. 4

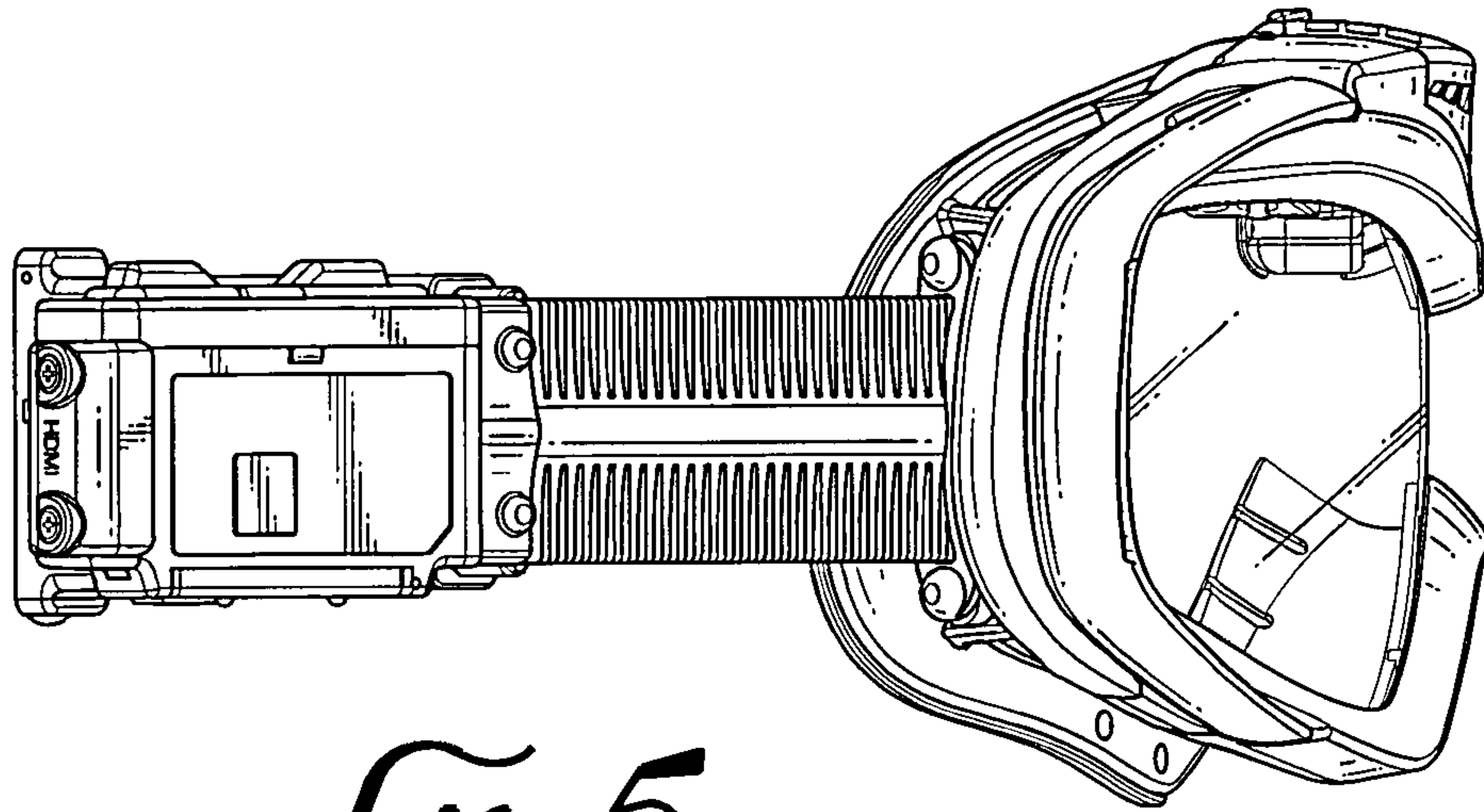


FIG. 5

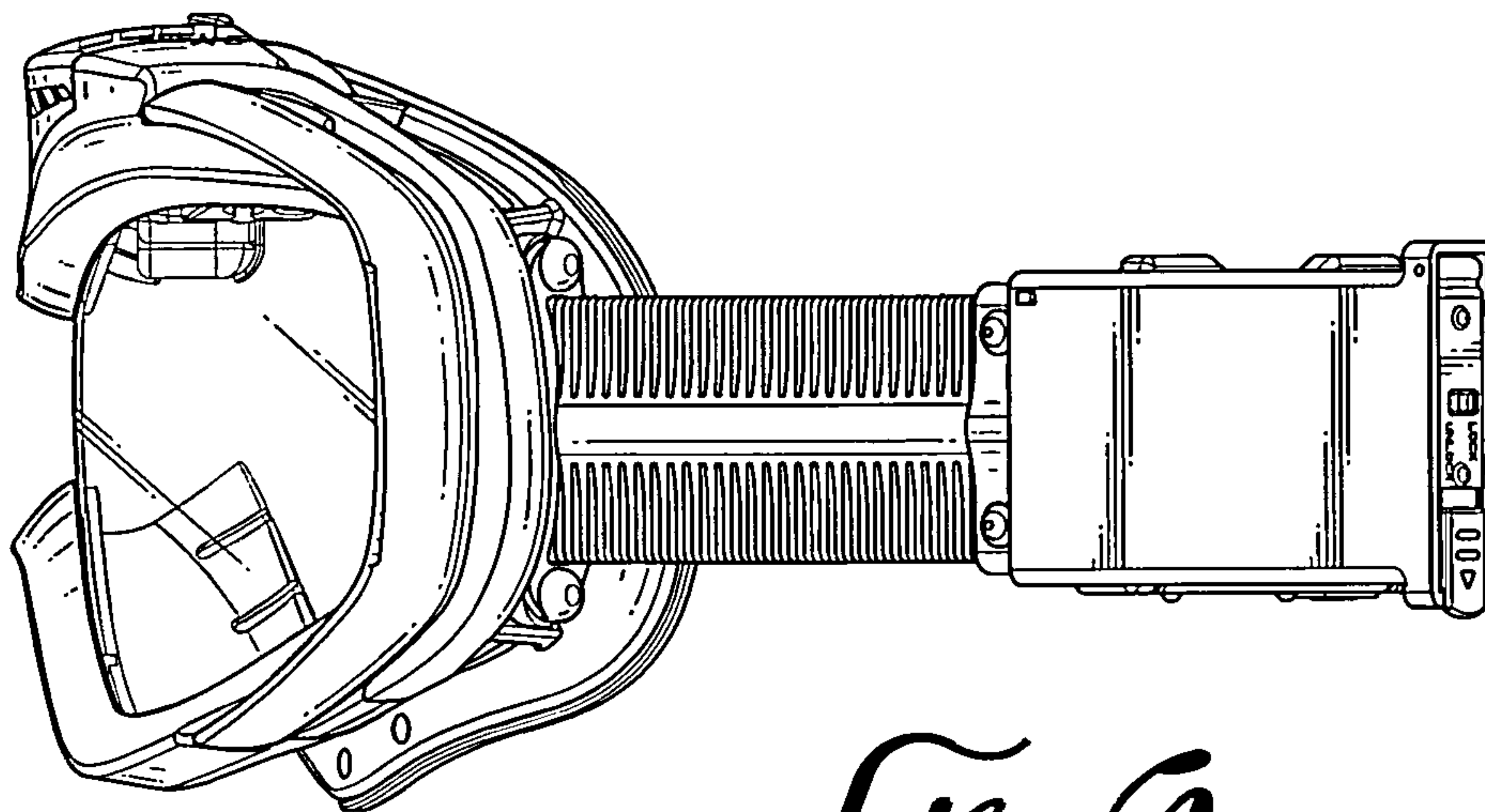


FIG. 6

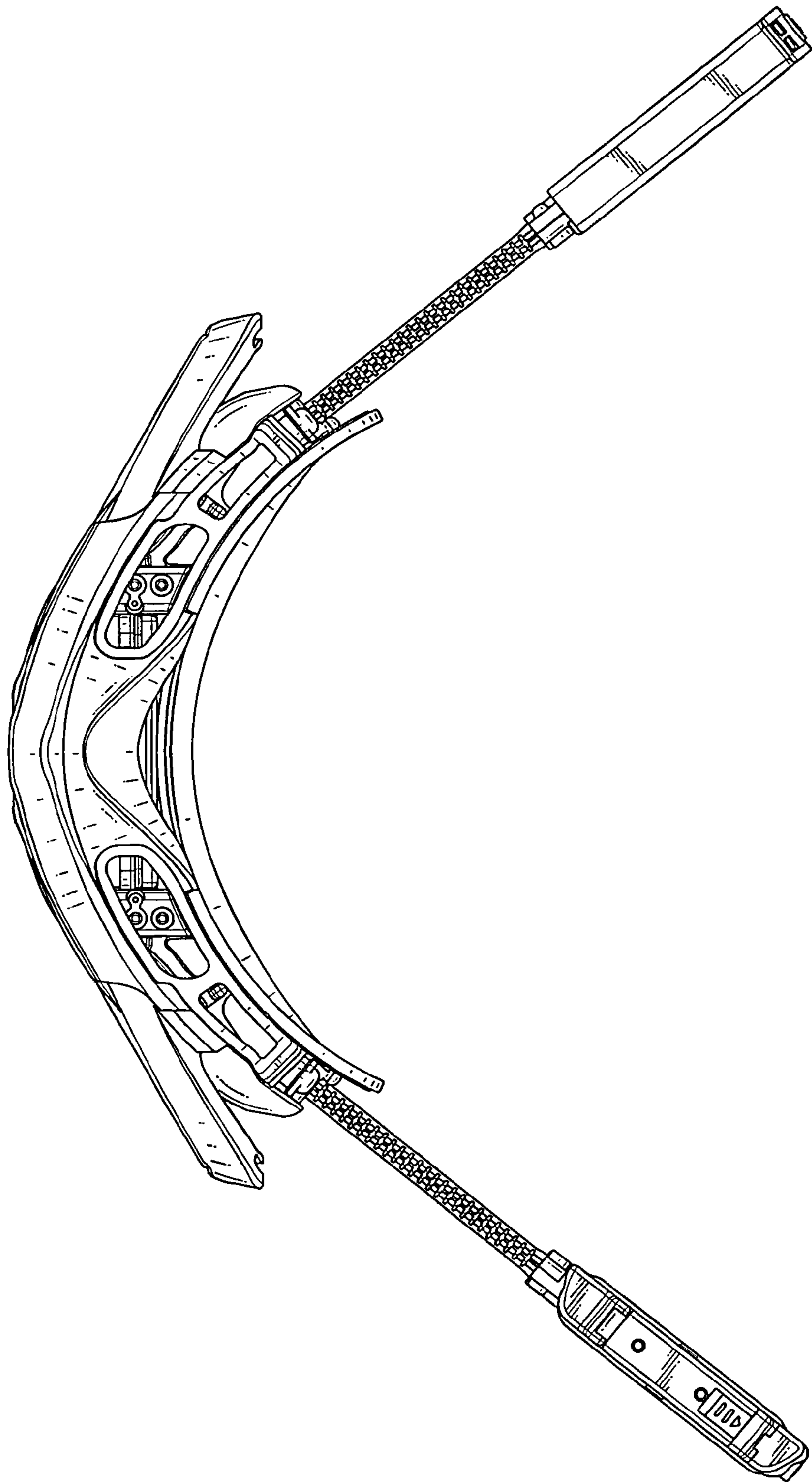


Fig. 7