

US00D685838S

(12) **United States Design Patent**  
**Corticelli**

(10) **Patent No.:** **US D685,838 S**

(45) **Date of Patent:** **\*\* Jul. 9, 2013**

(54) **TRANSPORT DEVICE FOR A  
PHOTOCAMERA, VIDEOCAMERA OR THE  
LIKE**

(76) Inventor: **Andrea Corticelli**, Casalecchio di Reno  
(IT)

(\*\*) Term: **14 Years**

(21) Appl. No.: **29/400,099**

(22) Filed: **Aug. 23, 2011**

(30) **Foreign Application Priority Data**

Mar. 15, 2011 (EM) ..... 001265268-0002

(51) **LOC (9) Cl.** ..... **16-05**

(52) **U.S. Cl.**  
USPC ..... **D16/242**

(58) **Field of Classification Search**  
USPC ..... D16/130-132, 237-245; D14/140.6,  
D14/251; D8/349; 248/176.1, 177.1, 187.1;  
396/419, 428; D3/219, 266-267; 206/316.2;  
224/908

See application file for complete search history.

(56) **References Cited**

**U.S. PATENT DOCUMENTS**

D289,631 S \* 5/1987 Osit ..... D13/108  
D289,772 S \* 5/1987 Young et al. .... D3/219  
4,714,184 A \* 12/1987 Young et al. .... 224/673

5,251,800 A \* 10/1993 Leenders ..... 224/678  
5,375,749 A \* 12/1994 Oliva ..... 224/271  
D413,435 S \* 9/1999 Chapman et al. .... D3/219  
D445,975 S \* 7/2001 Stratford ..... D32/31  
D462,514 S \* 9/2002 Rivera et al. .... D3/228  
D479,523 S \* 9/2003 Peiker ..... D14/253  
D533,175 S \* 12/2006 Richter ..... D14/253  
D563,867 S \* 3/2008 Ahlgren ..... D13/107  
D564,445 S \* 3/2008 Stratford ..... D13/108  
7,980,771 B2 \* 7/2011 Chamberlayne ..... 396/423

\* cited by examiner

*Primary Examiner* — Susan Bennett Hattan

*Assistant Examiner* — Vy Koenig

(74) *Attorney, Agent, or Firm* — Timothy J. Klima;  
Shuttleworth & Ingersoll, PLC

(57) **CLAIM**

The ornamental design for the transport device for a photo-  
camera, videocamera or the like, as shown and described.

**DESCRIPTION**

FIG. 1 is a perspective view of the transport device for a  
photocamera, videocamera or the like, showing my new  
design;

FIG. 2 is a front view thereof;

FIG. 3 is a right-side view thereof;

FIG. 4 is a left-side view thereof;

FIG. 5 is a rear view thereof;

FIG. 6 is a top view thereof; and,

FIG. 7 is a bottom view thereof.

**1 Claim, 3 Drawing Sheets**

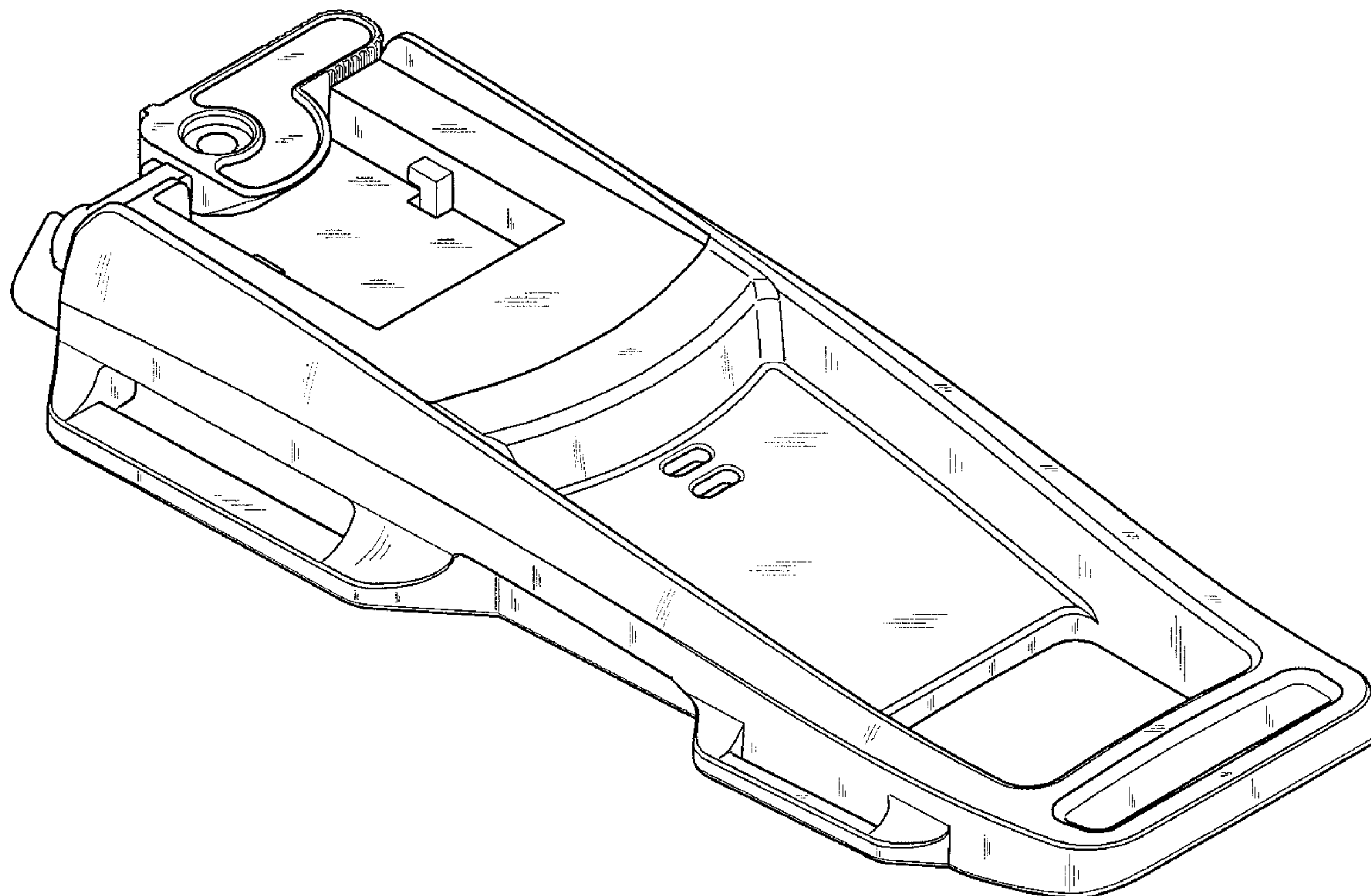
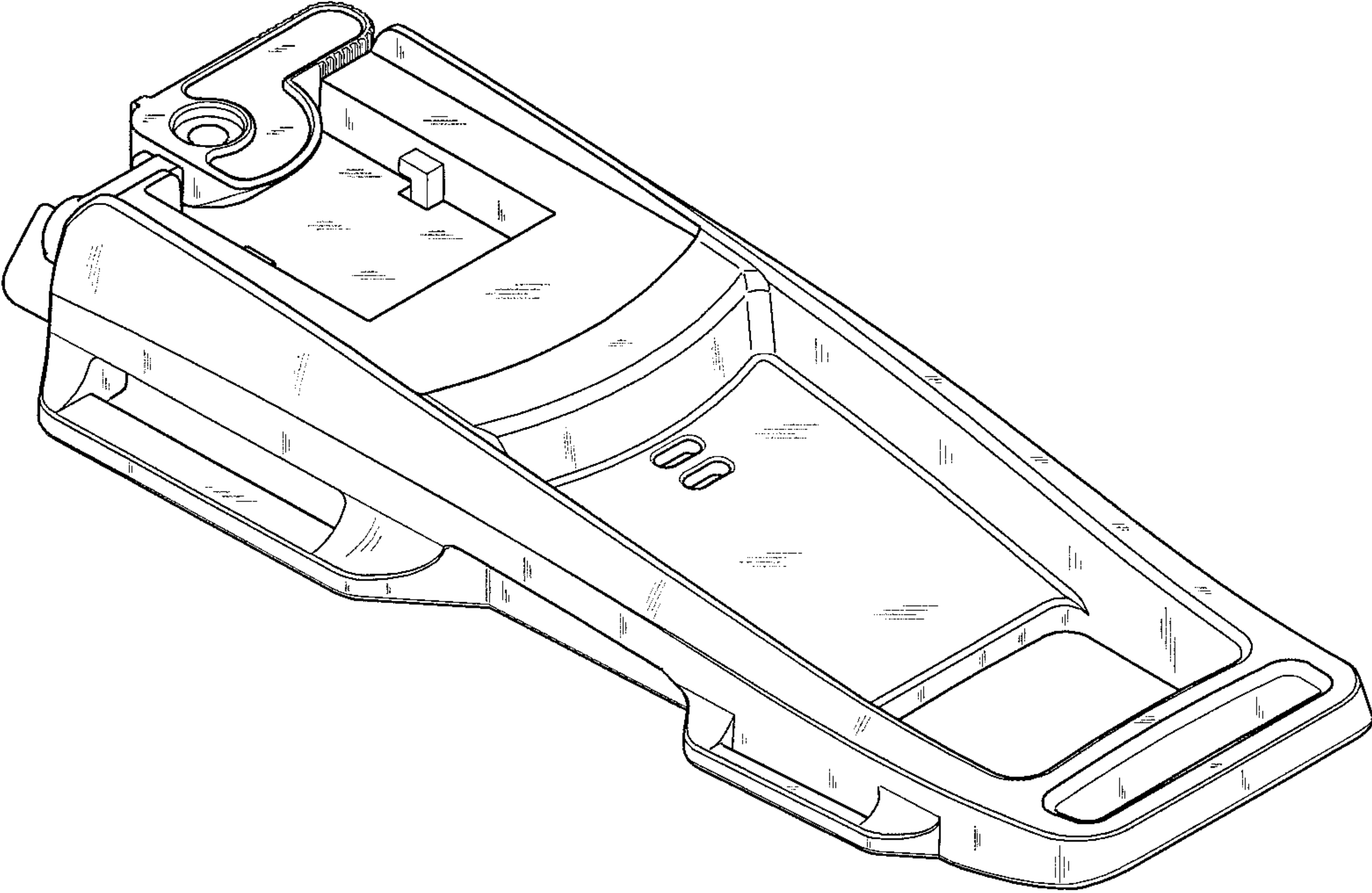


FIG.1



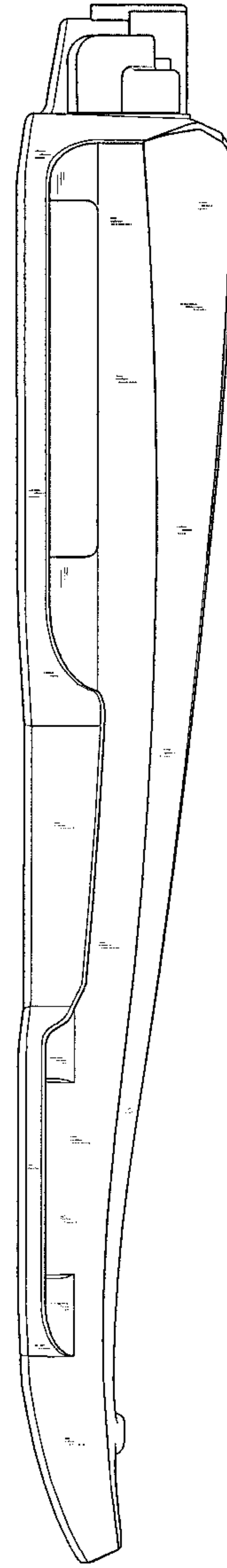
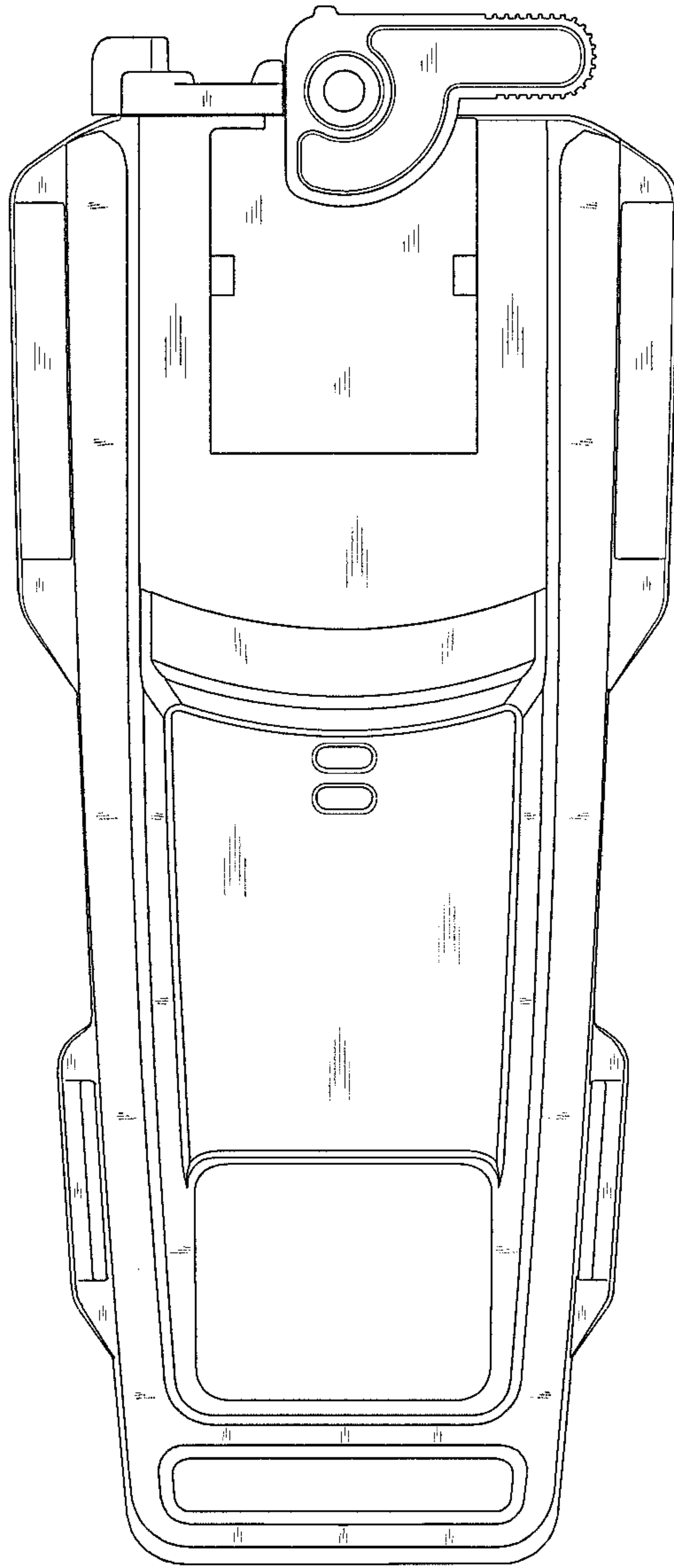
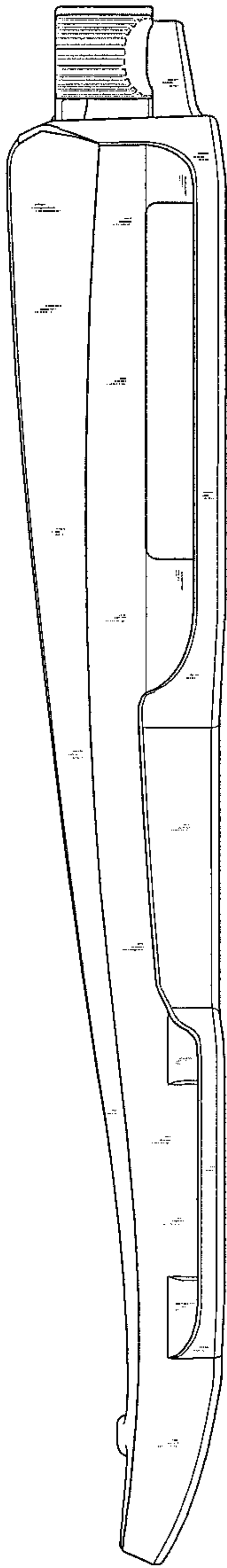


FIG.3

FIG.2

FIG.4

FIG.7

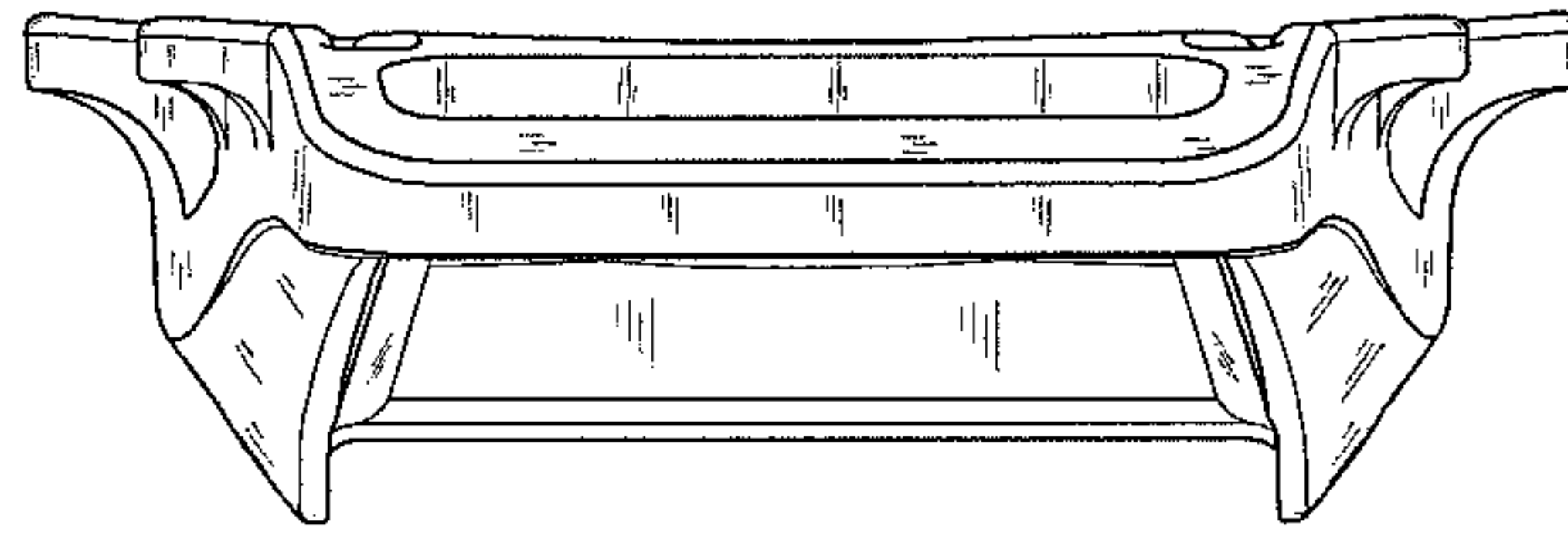


FIG.5

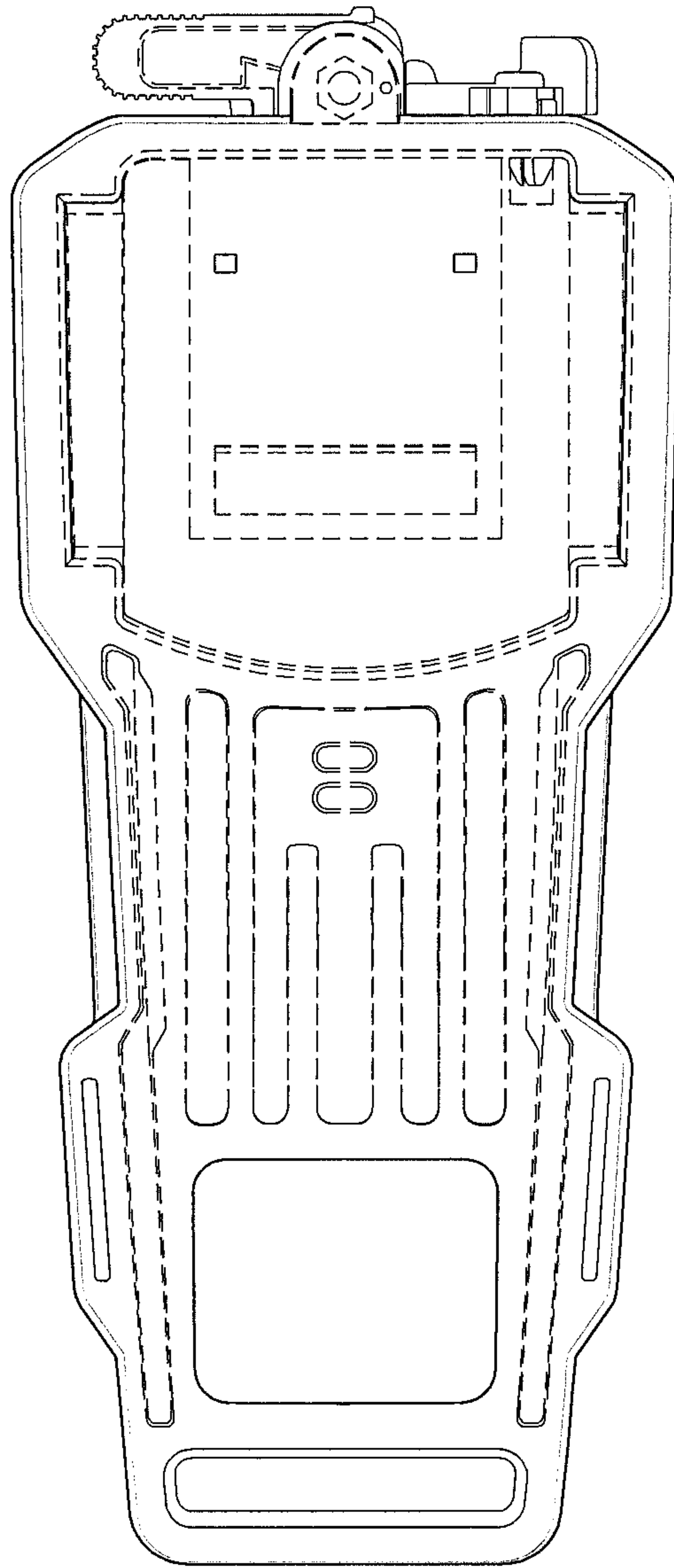


FIG.6

